



US00D950115S

(12) **United States Design Patent**
Deng

(10) **Patent No.:** **US D950,115 S**

(45) **Date of Patent:** **** Apr. 26, 2022**

(54) **NIGHT LIGHT COVER**

(71) Applicant: **E. MISHAN & SONS, INC.**, New York, NY (US)

(72) Inventor: **Daniel Deng**, Dongguan (CN)

(73) Assignee: **E. MISHAN & SONS, INC.**, New York, NY (US)

(**) Term: **15 Years**

(21) Appl. No.: **29/720,532**

(22) Filed: **Jan. 14, 2020**

(51) **LOC (13) Cl.** **26-05**

(52) **U.S. Cl.**
USPC **D26/26**

(58) **Field of Classification Search**
USPC D26/1-4, 26
CPC H01R 5/00; H01R 13/46; H01R 13/514;
H01R 31/02; H01R 31/048; H01J 5/00;
H01J 5/16; H01J 1/02; H01J 15/00; H01J
5/48; H01J 5/50; H01J 19/54; F21V 5/00;
F21K 9/00; F21K 13/00
See application file for complete search history.

(56) **References Cited**

U.S. PATENT DOCUMENTS

D287,408 S * 12/1986 Gaines D26/26
D380,564 S * 7/1997 Yuen D26/26

D426,658 S * 6/2000 Yuen D26/26
D431,660 S * 10/2000 Yuen D26/26
D444,248 S * 6/2001 Boessel D26/26
D865,233 S * 10/2019 Lange D26/26
D867,628 S * 11/2019 Rego D26/26
D905,299 S * 12/2020 Zhang D26/26

* cited by examiner

Primary Examiner — Marcus A Jackson

(74) *Attorney, Agent, or Firm* — Notaro, Michalos & Zaccaria P.C.

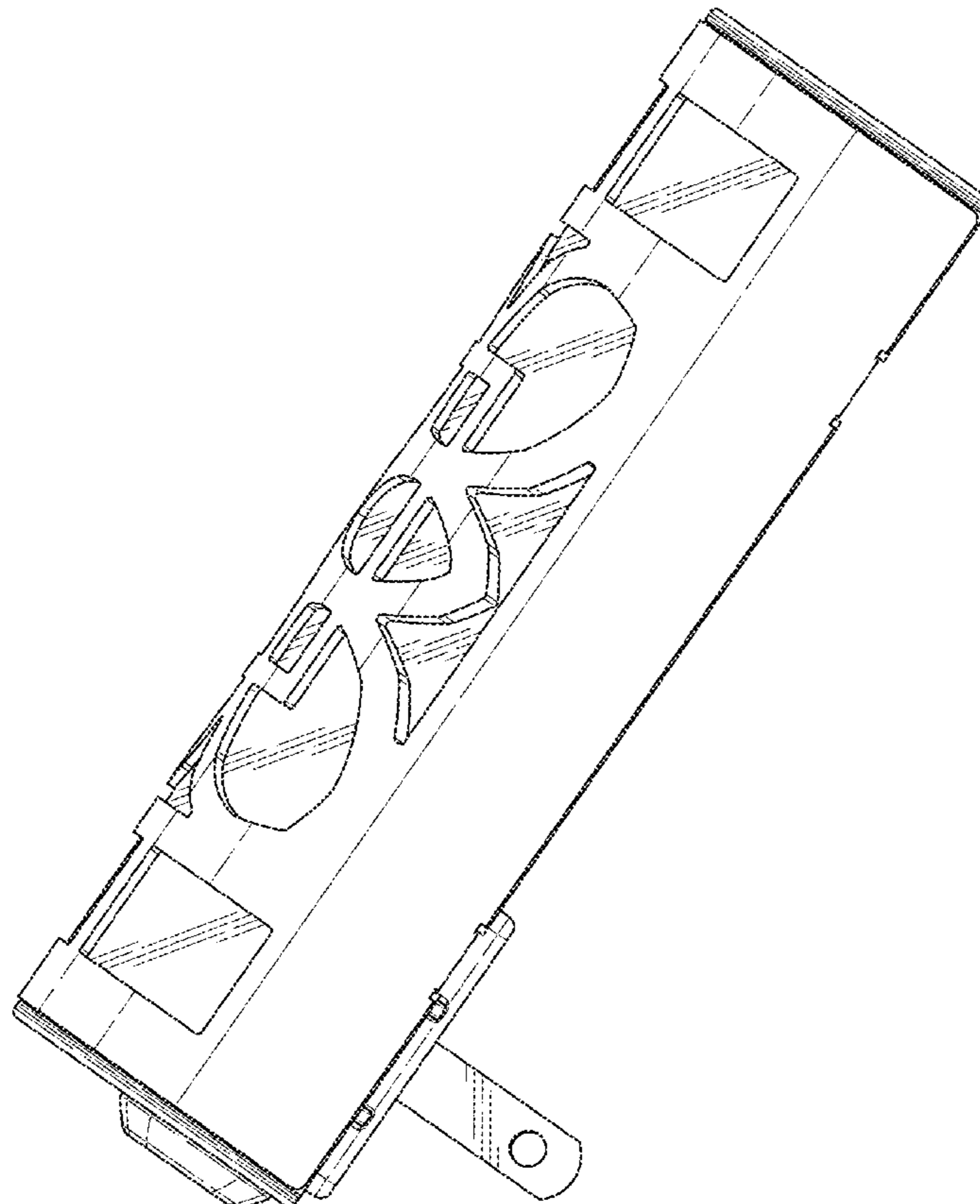
(57) **CLAIM**

The ornamental design for a night light cover, as shown and described.

DESCRIPTION

FIG. 1 is a front perspective view showing my new design therefor;
FIG. 2 is a rear view thereof;
FIG. 3 is a left side elevational view thereof;
FIG. 4 is a right side elevational view thereof;
FIG. 5 is a top plan view thereof;
FIG. 6 is a bottom plan view thereof; and,
FIG. 7 is a front, right perspective view thereof.

1 Claim, 7 Drawing Sheets



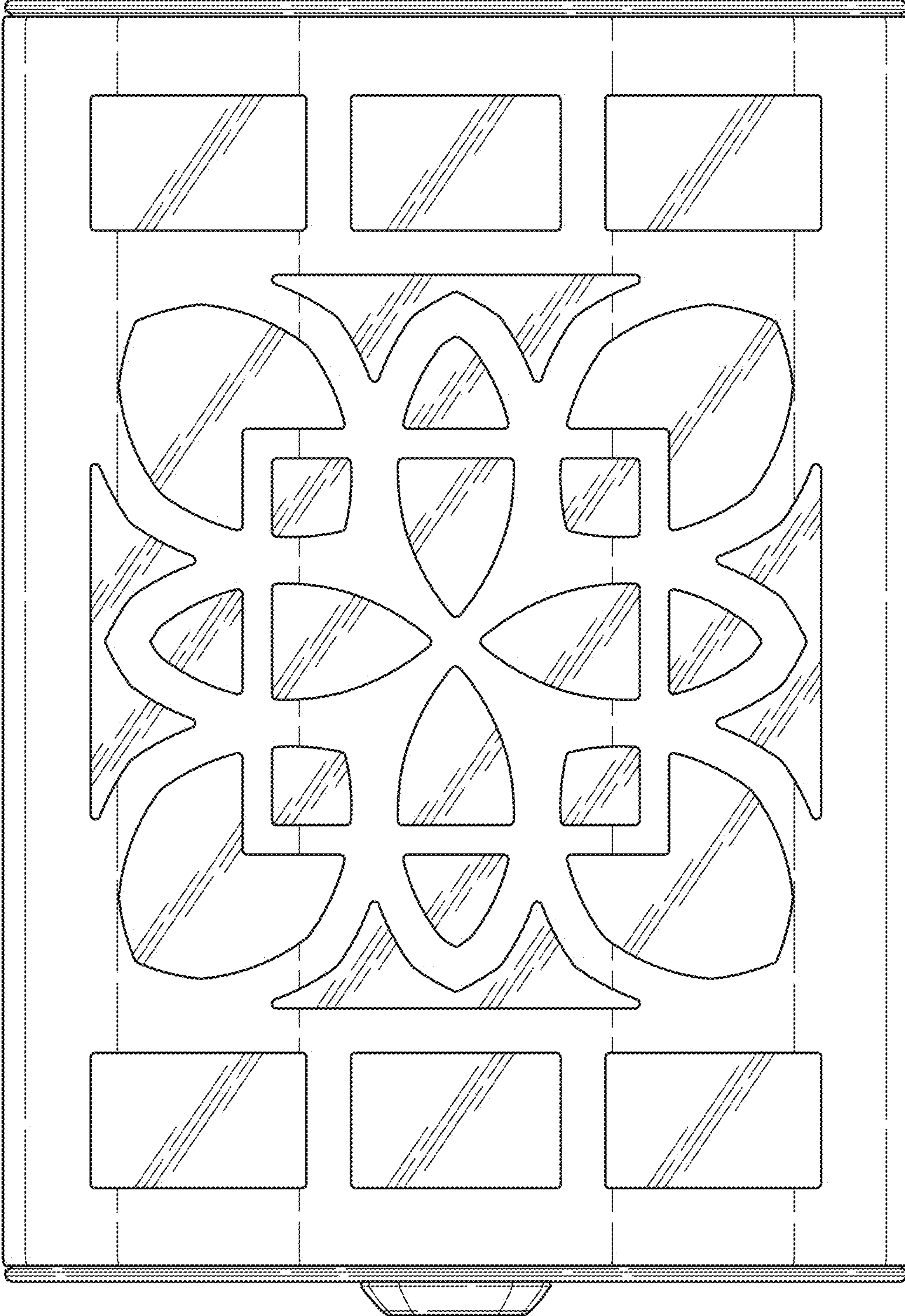


FIG. 1

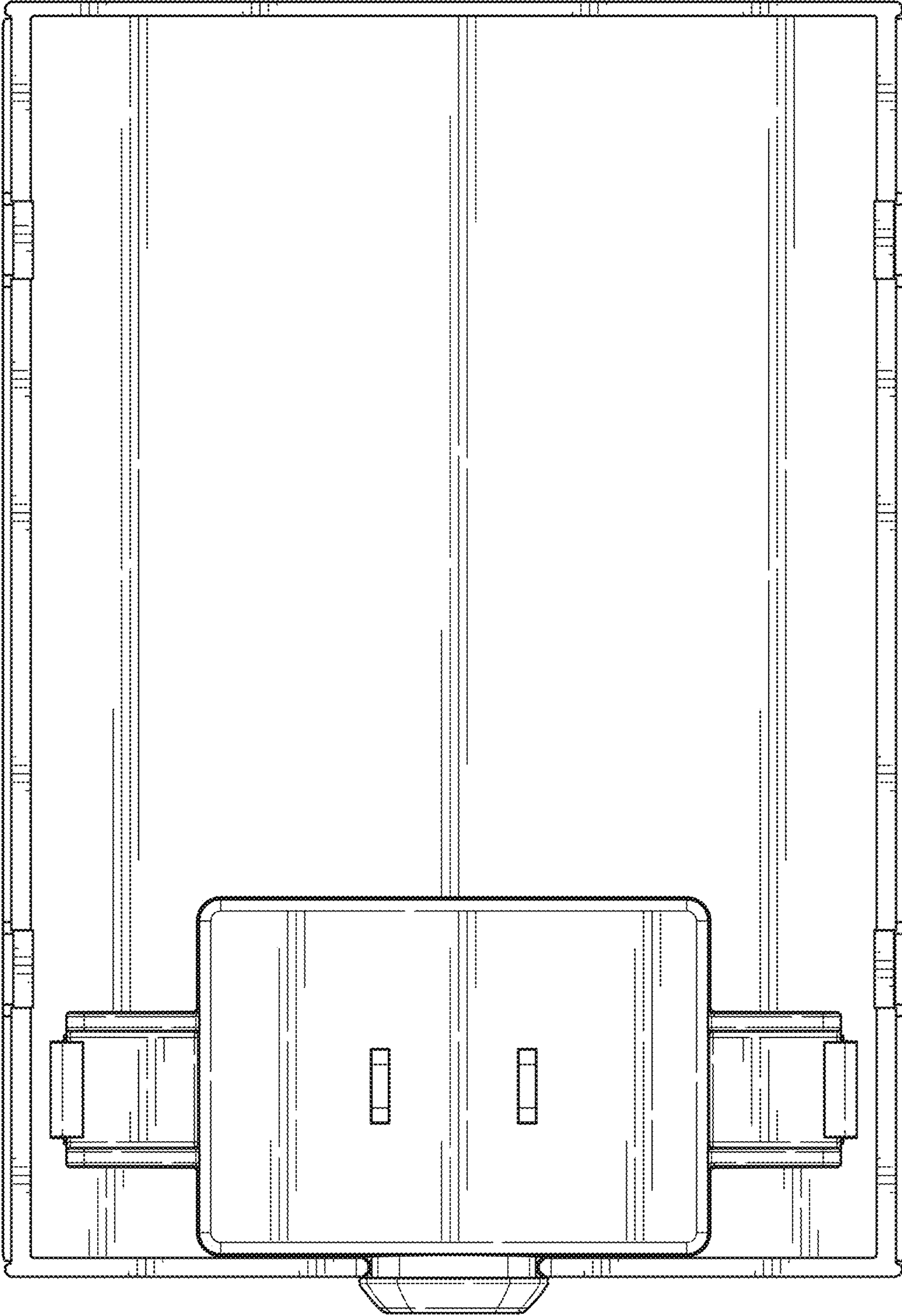


FIG. 2

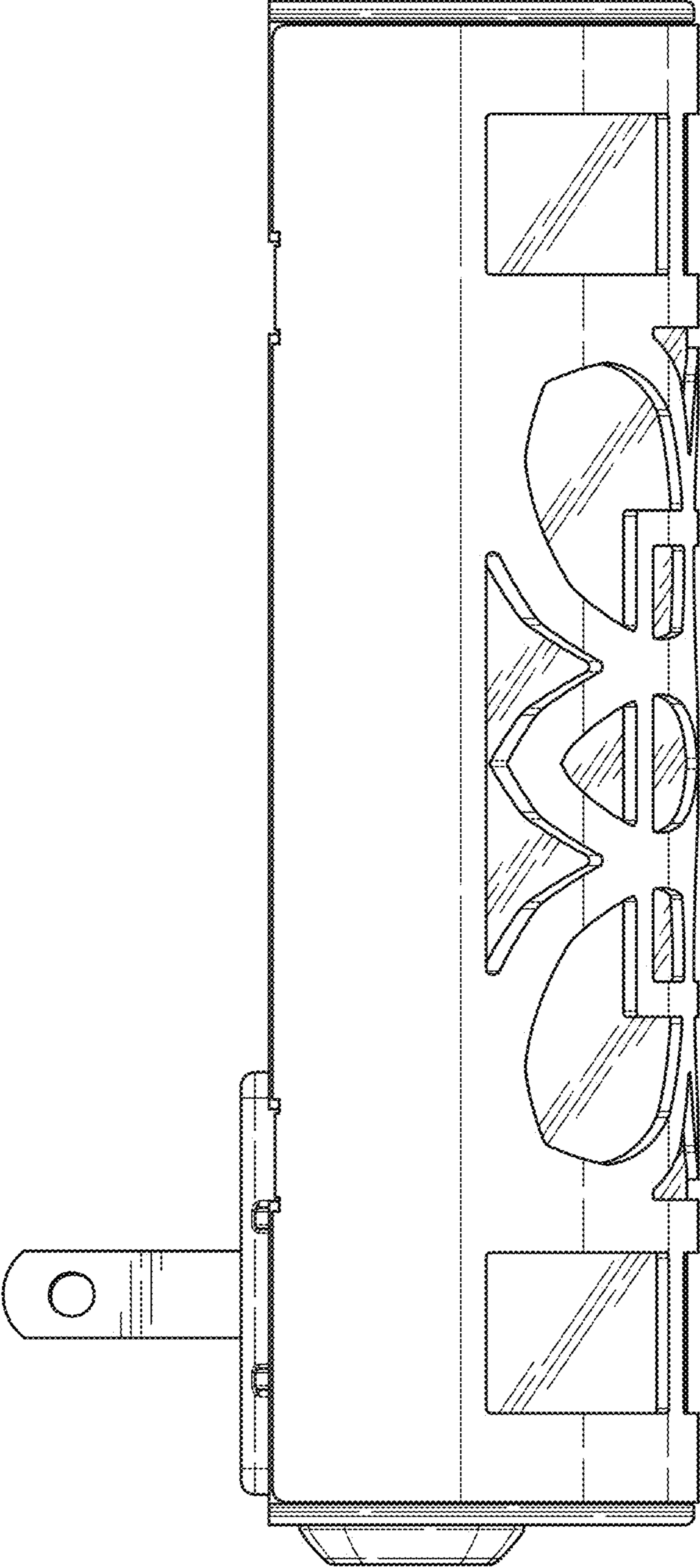


FIG. 3

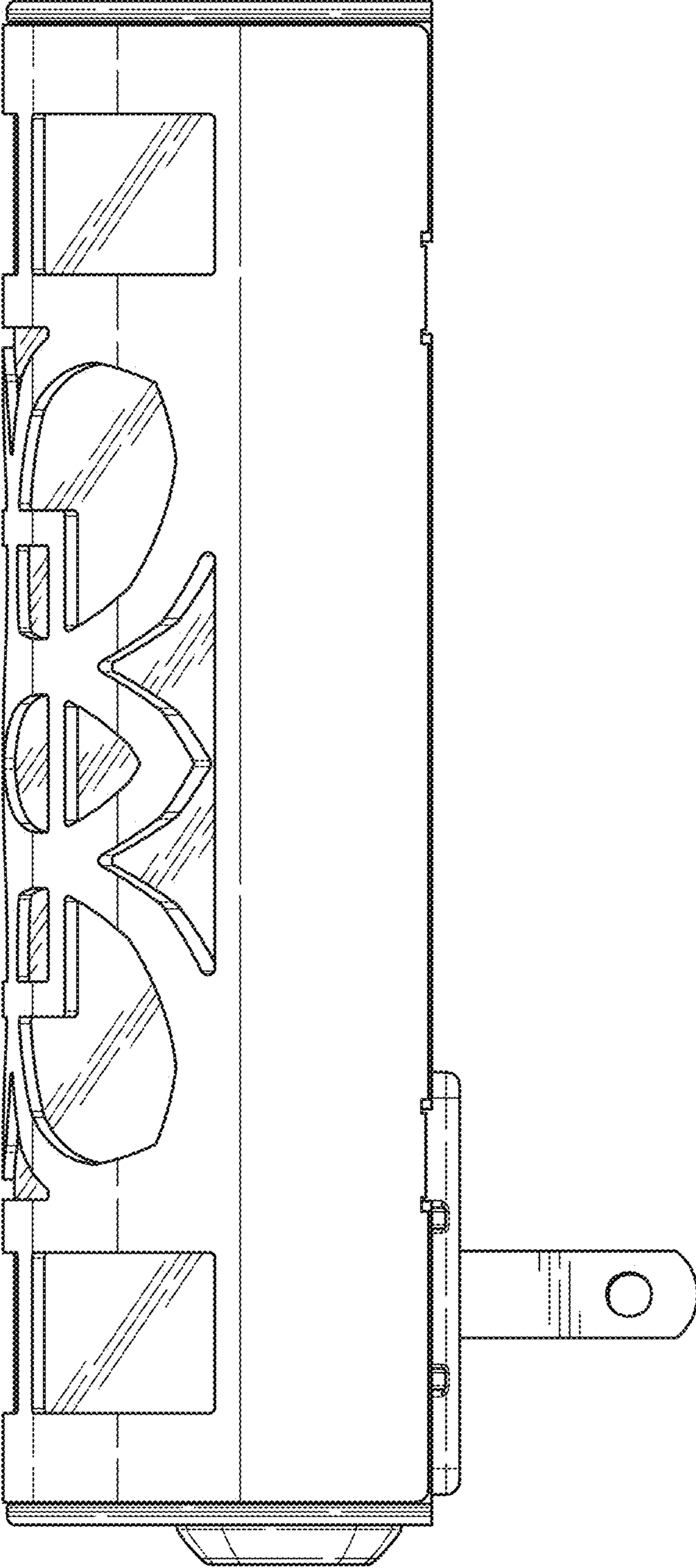


FIG. 4

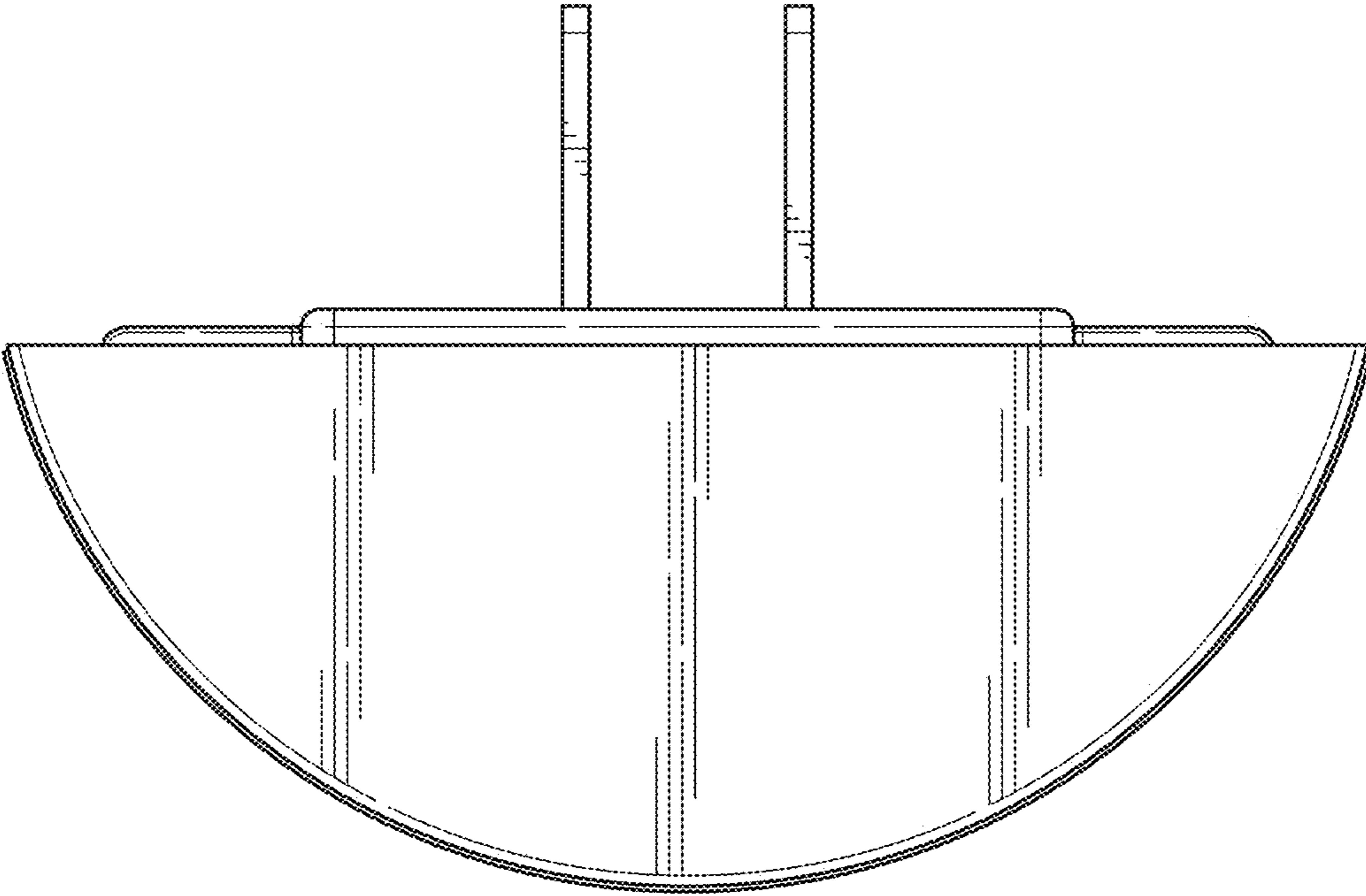


FIG. 5

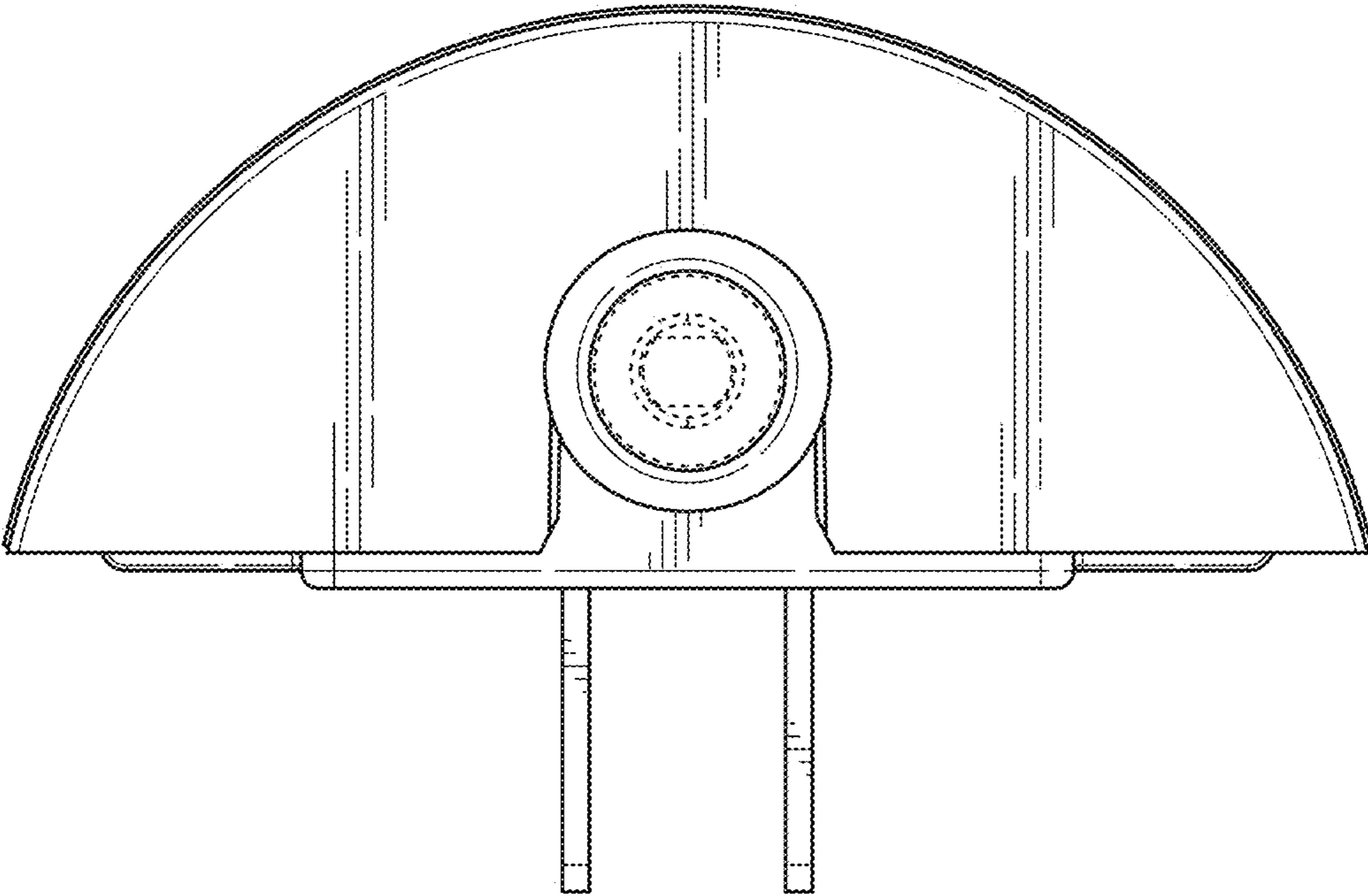


FIG. 6

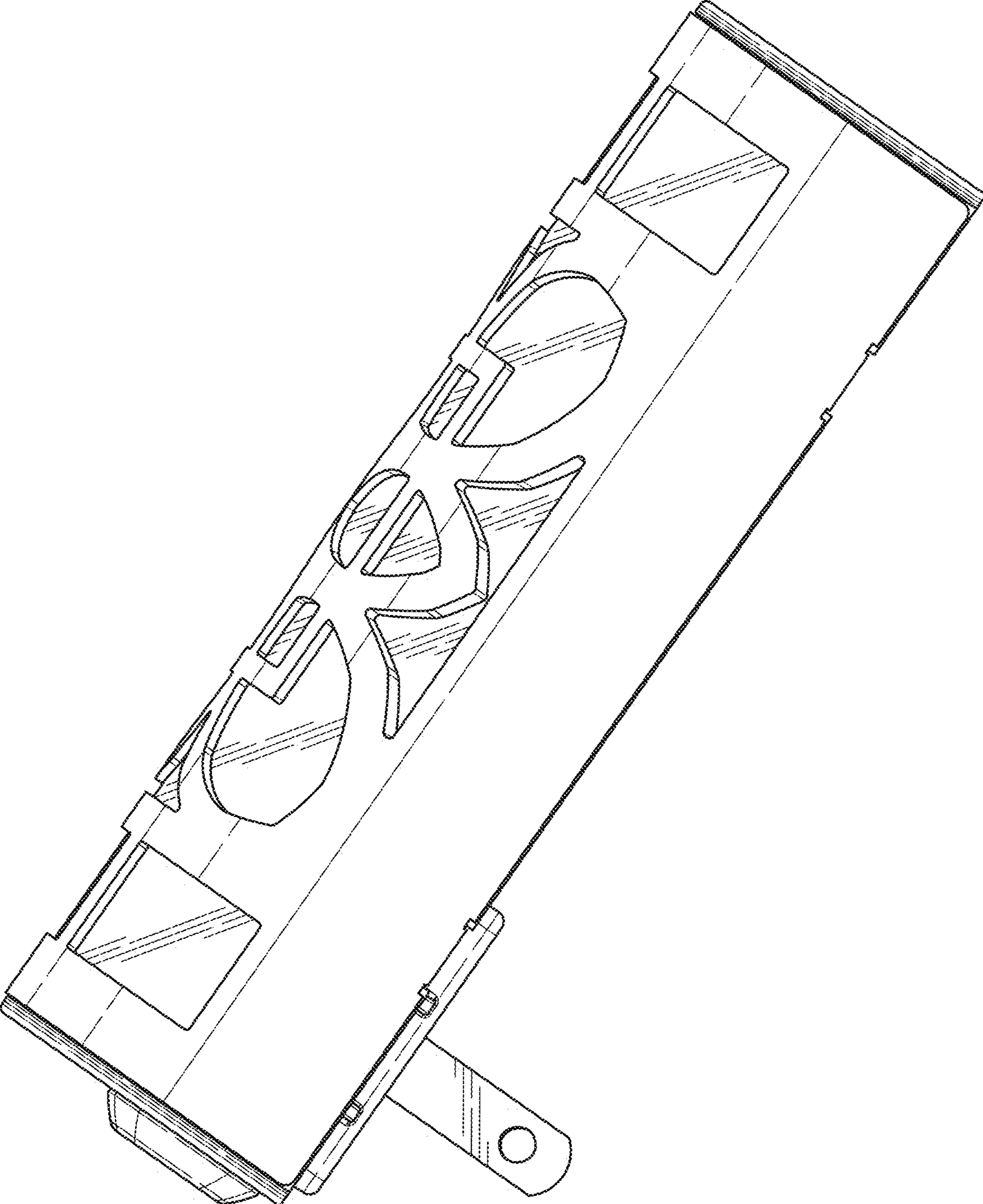


FIG. 7