

US00D950112S

(12) **United States Design Patent** (10) **Patent No.:** **US D950,112 S**  
**Zheng** (45) **Date of Patent:** **\*\* Apr. 26, 2022**

(54) **STRING LAMP**

(71) Applicant: **Lihua Zheng**, Guangdong (CN)

(72) Inventor: **Lihua Zheng**, Guangdong (CN)

(\*\*) Term: **15 Years**

(21) Appl. No.: **29/766,591**

(22) Filed: **Jan. 15, 2021**

(51) **LOC (13) Cl.** ..... **26-04**

(52) **U.S. Cl.**  
USPC ..... **D26/25**

(58) **Field of Classification Search**  
USPC ..... D26/24, 118, 1, 25, 27, 37, 39, 110;  
D13/134

CPC ..... A44C 15/0015; A01G 5/04; F21S 2/00;  
F21S 4/00; F21S 4/10; F21S 4/15; F21S  
4/20; F21K 9/00; F21V 21/00; F21V  
33/008; F21W 2121/00; F21W 2121/04;  
G02B 6/0006; G02B 6/0008; G02B  
6/001; G02B 6/4298

See application file for complete search history.

(56) **References Cited**

**U.S. PATENT DOCUMENTS**

2,183,377	A *	12/1939	Wolf	.....	F21S 4/10 362/396
5,051,877	A *	9/1991	Liao	.....	F21V 21/002 362/249.16
5,513,081	A *	4/1996	Byers	.....	F21S 2/005 206/419
5,634,812	A *	6/1997	Chen	.....	F21V 21/002 439/419
5,670,847	A *	9/1997	Lin	.....	H01R 13/4534 315/185 S
6,065,855	A *	5/2000	Hwang	.....	F21V 21/002 362/249.01

(Continued)

**FOREIGN PATENT DOCUMENTS**

CN 306665696 \* 7/2021

**OTHER PUBLICATIONS**

LE Solar String Lights Outdoor, Sep. 17, 2019, Amazon.co.uk, site visited Sep. 23, 2021, url: <https://www.amazon.co.uk/dp/B07Y1SV72F> (Year: 2019).\*

(Continued)

*Primary Examiner* — T Chase Nelson

*Assistant Examiner* — Rachel Wolfe

(74) *Attorney, Agent, or Firm* — ScienBiziP, P.C.

(57) **CLAIM**

The ornamental design for a string lamp, as shown and described.

**DESCRIPTION**

FIG. 1 is a front, left, and top perspective view of a string lamp, showing my design.

FIG. 2 is an enlarged rear, right, and bottom perspective view thereof.

FIG. 3 is a front elevation view thereof.

FIG. 4 is a rear elevation view thereof.

FIG. 5 is a left side elevation view thereof.

FIG. 6 is a right side elevation view thereof.

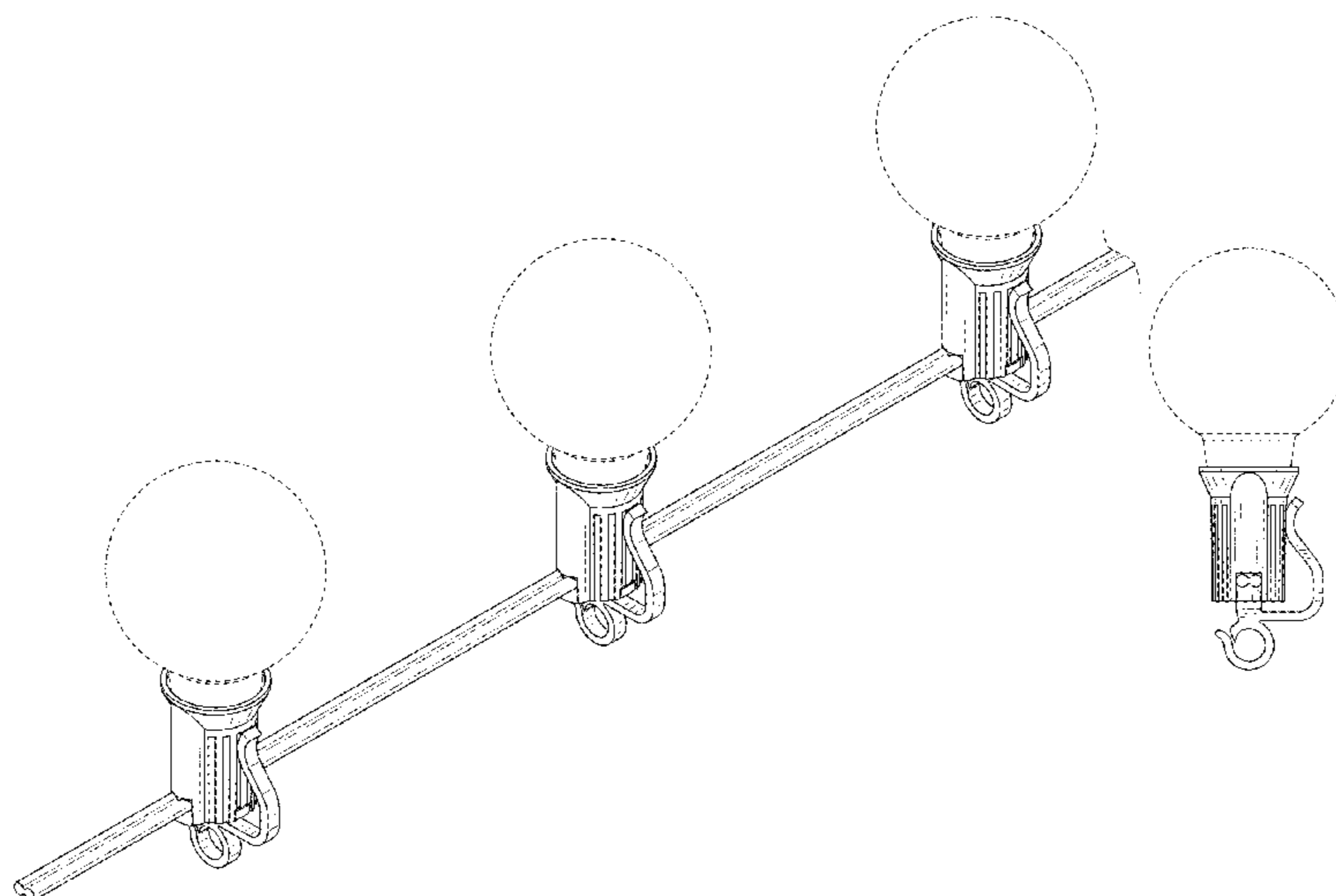
FIG. 7 is a top plan view thereof.

FIG. 8 is a bottom plan view thereof; and,

FIG. 9 is a partial enlarged view of a lamp holder labeled 9 in FIG. 2.

The broken lines shown in the drawings are included for the purpose of illustrating portions of the string lamp that form no part of the claimed design. A symbolic break, shown in broken line, appears in the length of the string lamp. The break line, as well as the appearance of any portion of the string lamp beyond the break line, forms no part of the claimed design. The broken lines of alternating length in FIGS. 2 and 9 are for purpose of illustrating the boundaries of the enlarged fragments shown in FIGS. 9 and form no part of the claimed design.

**1 Claim, 9 Drawing Sheets**



(56)

**References Cited**

U.S. PATENT DOCUMENTS

6,318,884 B1 \* 11/2001 Hibbard ..... F21S 6/001  
 362/391  
 6,409,364 B1 \* 6/2002 Lin ..... F21V 21/088  
 362/249.01  
 D547,887 S 7/2007 Titmarsh  
 D791,372 S \* 7/2017 Rouse ..... F21V 31/005  
 D26/4  
 D799,314 S \* 10/2017 Adams, IV ..... F21V 21/002  
 D8/395  
 D816,874 S \* 5/2018 Lentz ..... F21S 4/10  
 D26/25  
 D825,793 S \* 8/2018 Lentz ..... F21V 31/005  
 D26/25  
 D869,012 S 12/2019 Zhu  
 D869,013 S \* 12/2019 Zhu ..... F21V 21/002  
 D26/25  
 D880,022 S \* 3/2020 Gong ..... D26/25  
 10,900,656 B1 \* 1/2021 Wang ..... F21V 31/005  
 D916,333 S \* 4/2021 Liang ..... F21V 21/088  
 D26/25

D918,438 S \* 5/2021 Lentz ..... F21V 21/002  
 D26/25  
 D919,127 S \* 5/2021 Zhou ..... H01R 13/4534  
 D26/4  
 2003/0166357 A1 \* 9/2003 Tseng ..... H01R 13/41  
 439/419  
 2013/0099076 A1 \* 4/2013 Mickelson ..... F16B 2/241  
 248/206.5  
 2018/0340676 A1 \* 11/2018 Tsai ..... F21V 3/00  
 2019/0341718 A1 \* 11/2019 Yu ..... F21V 31/005  
 2020/0132281 A1 \* 4/2020 Huang ..... F21V 21/0816  
 2021/0071850 A1 \* 3/2021 Shan ..... F21S 4/20

OTHER PUBLICATIONS

Mlambert G40 LED Globe String Lights, Oct. 12, 2019, Amazon.ca, site visited Sep. 23, 2021, url: <https://www.amazon.ca/dp/B07VL9RN58> (Year: 2019).\*  
 ZOTOYI 100Ft Outdoor Patio String Lights, Oct. 24, 2020, Amazon.com, site visited Sep. 23, 2021, url: <https://www.amazon.com/dp/B08FHWHRHN> (Year: 2020).\*

\* cited by examiner

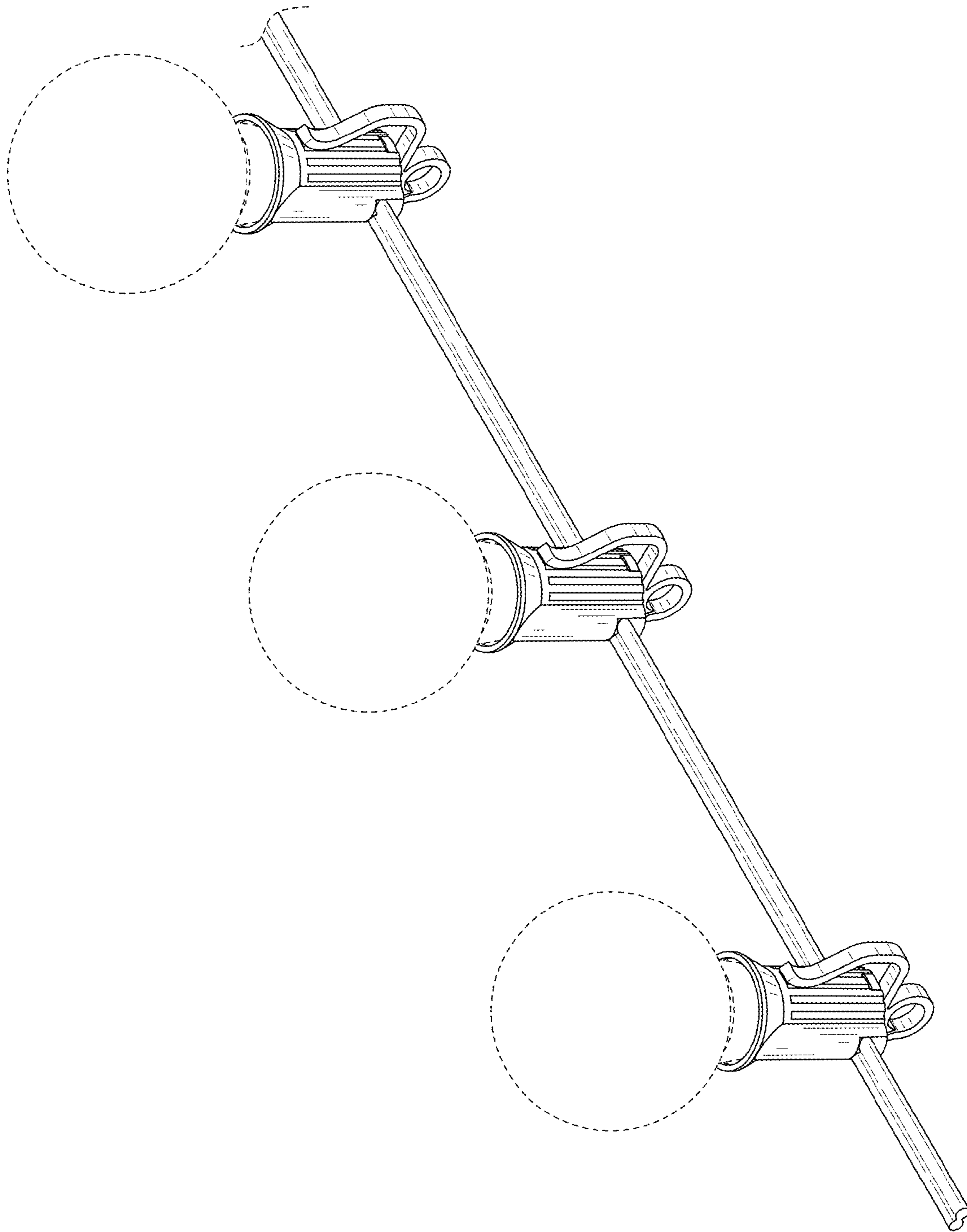


FIG. 1

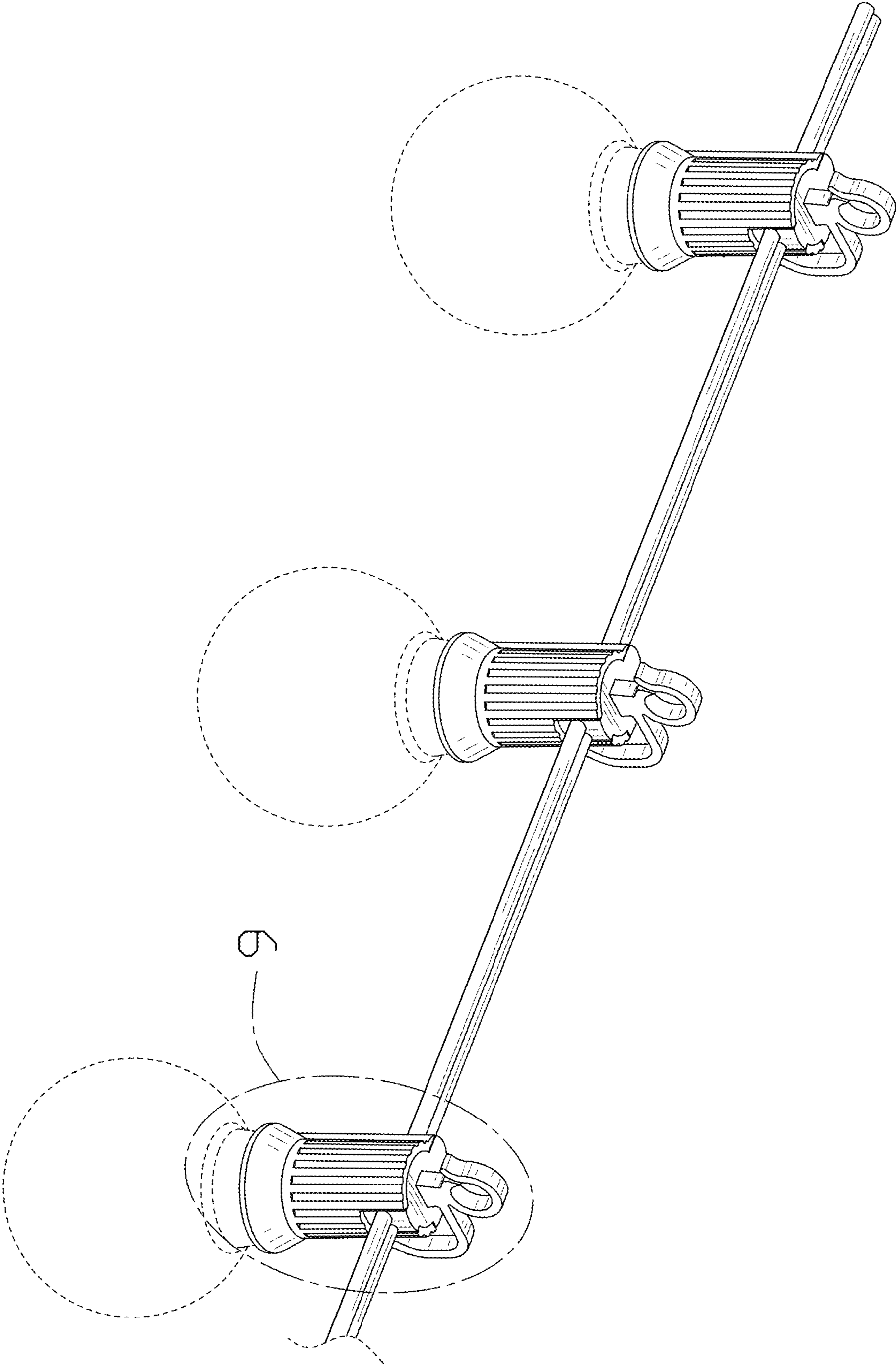


FIG. 2

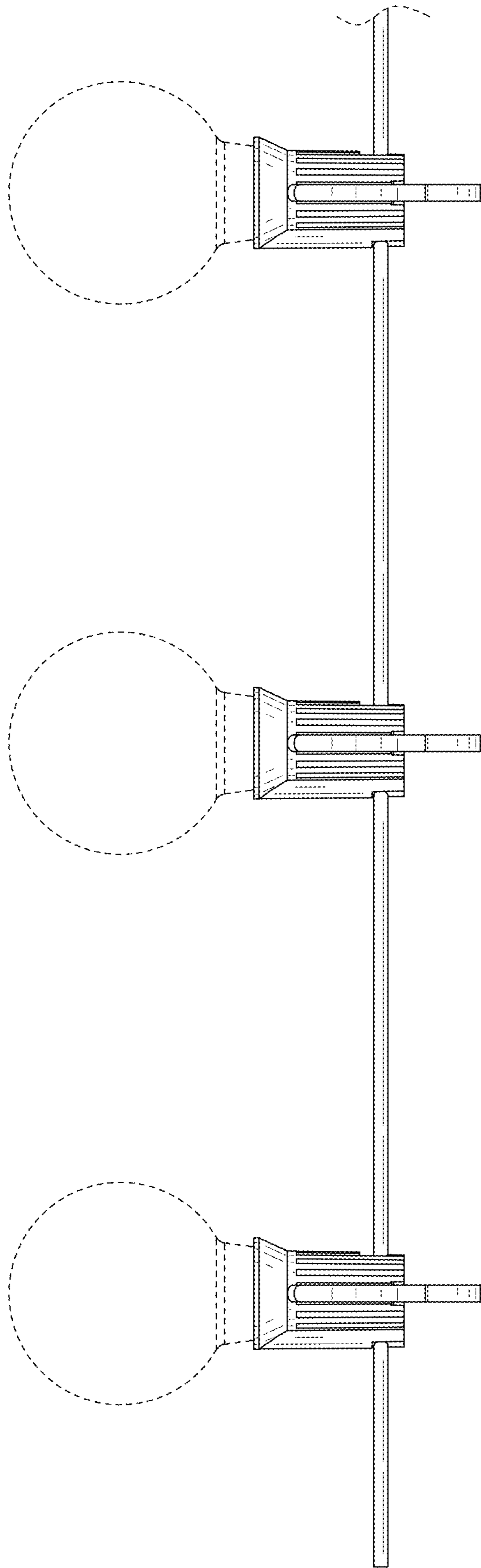


FIG. 3

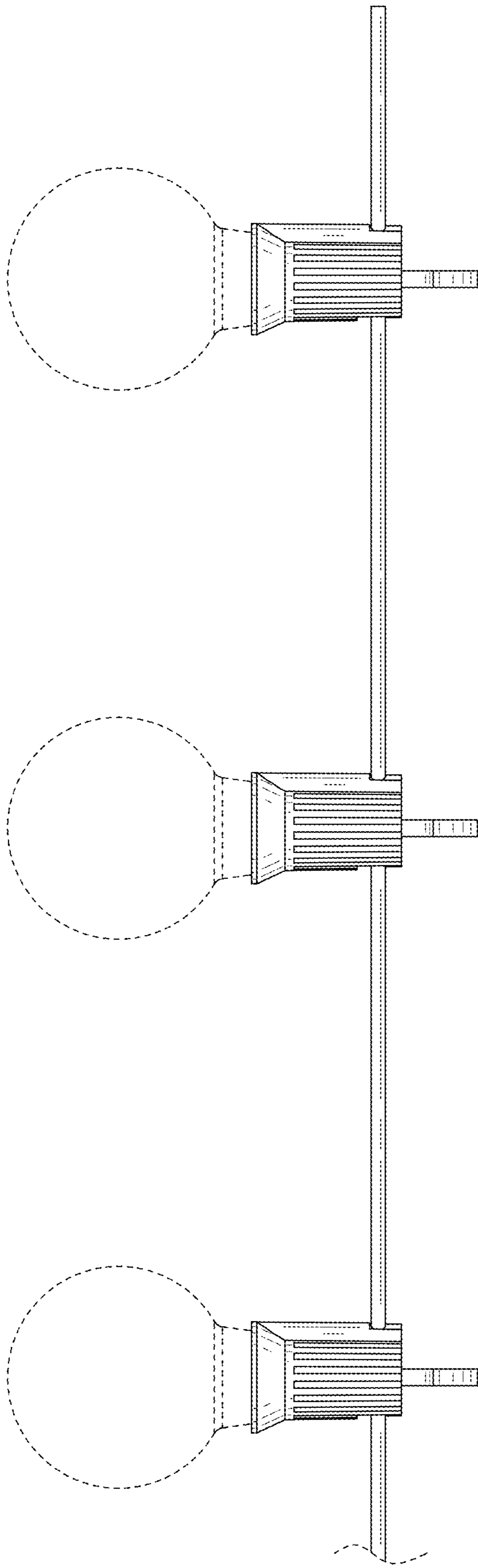


FIG. 4

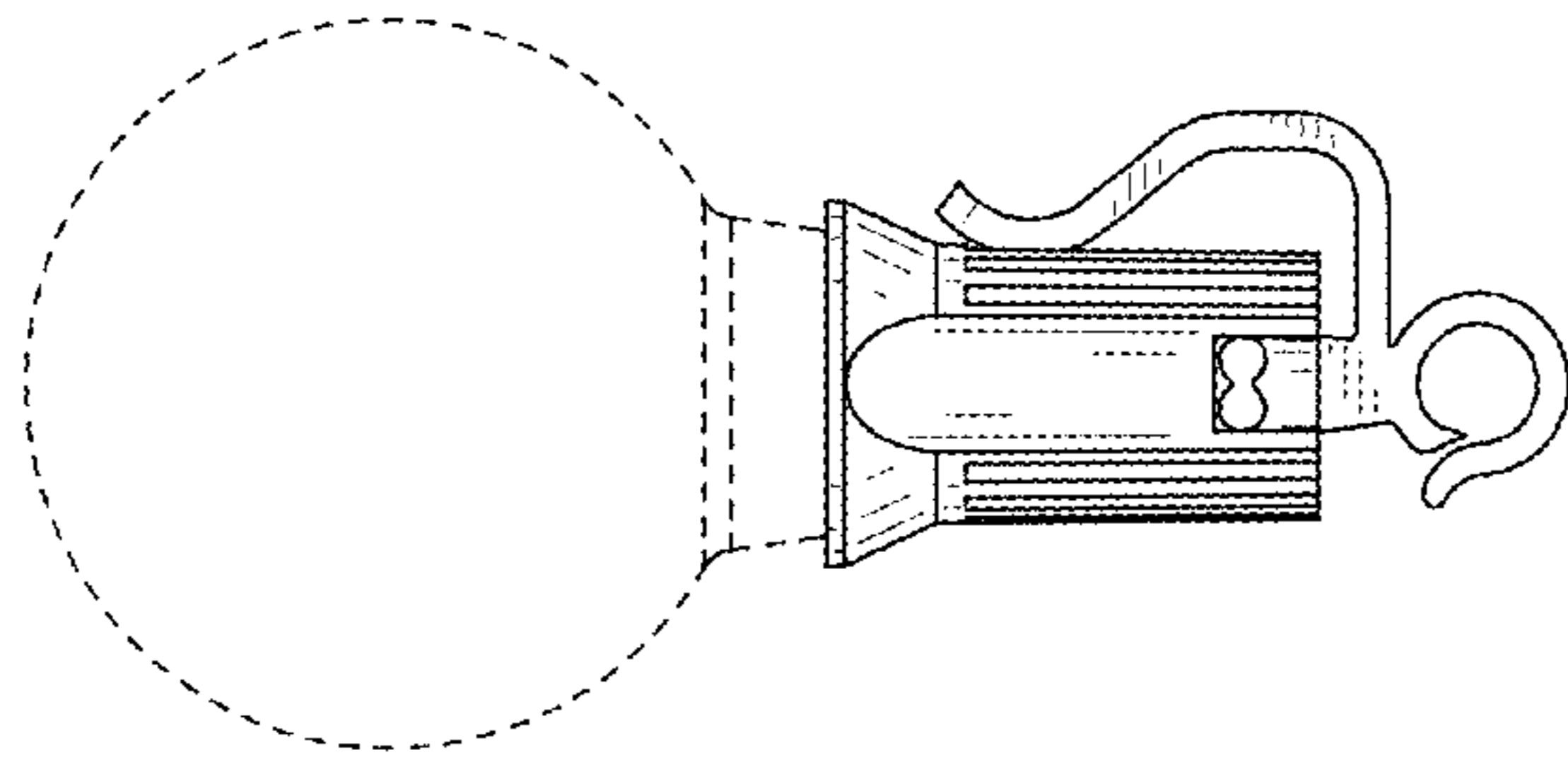


FIG. 5

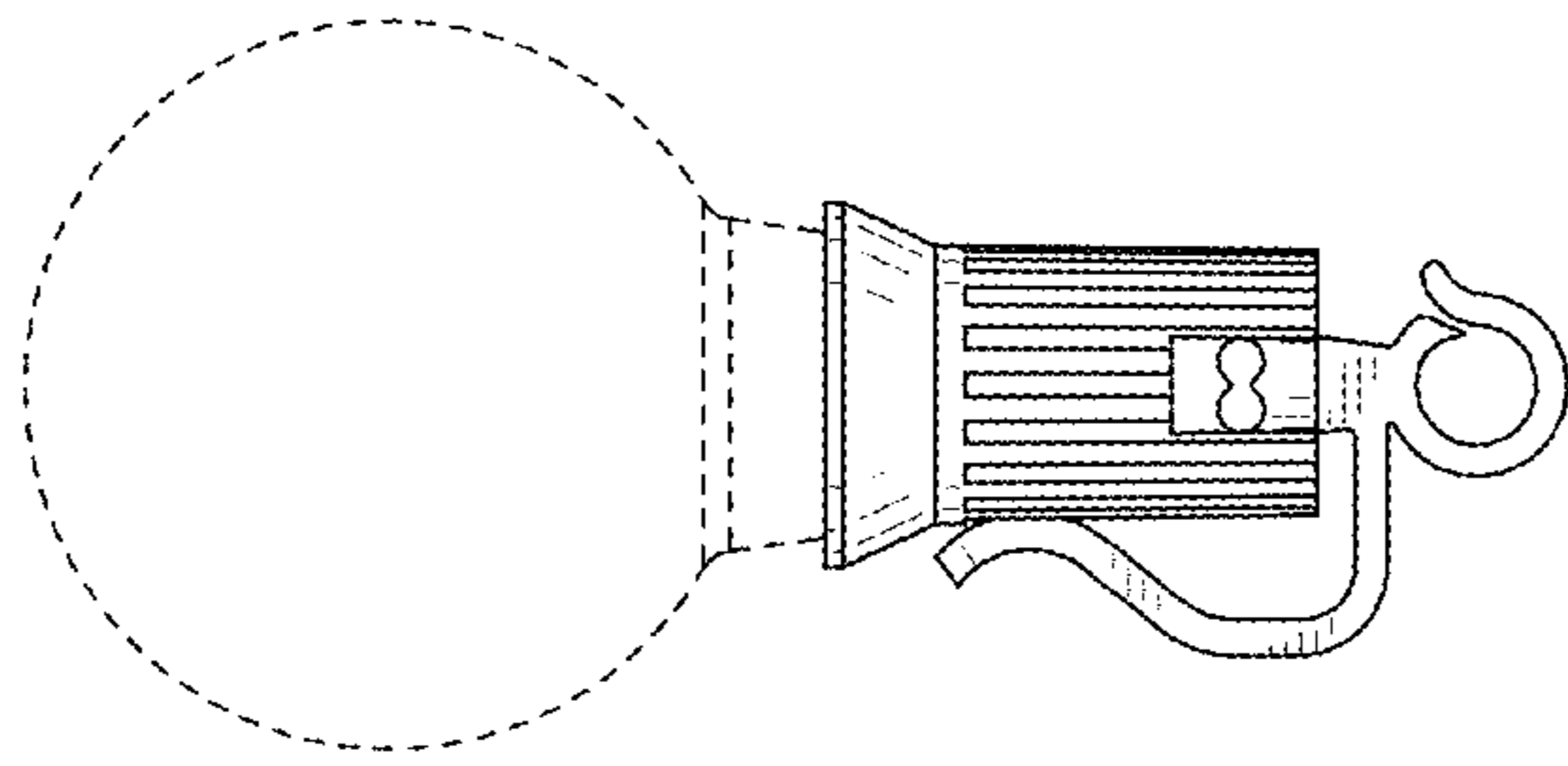


FIG. 6



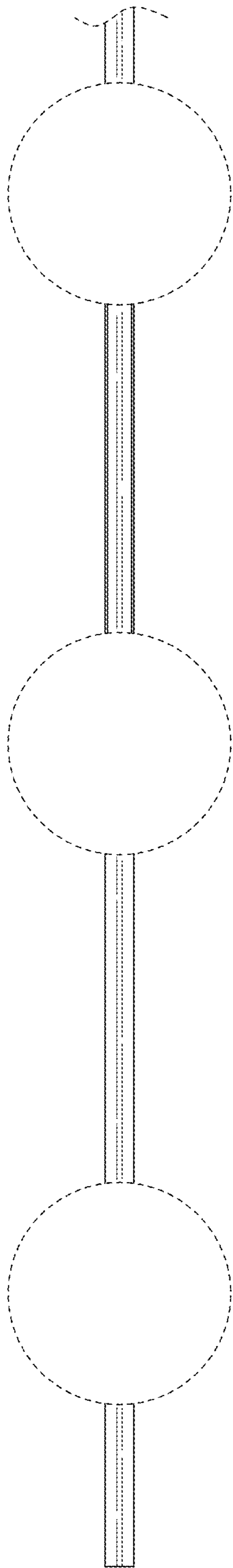


FIG. 7

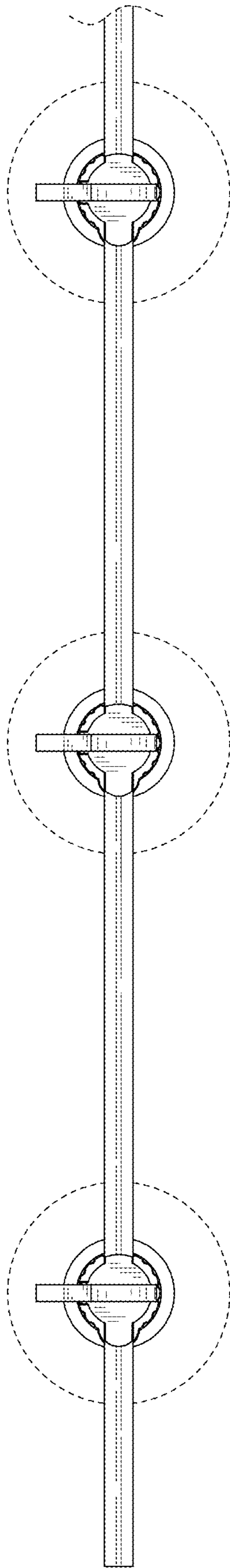


FIG. 8

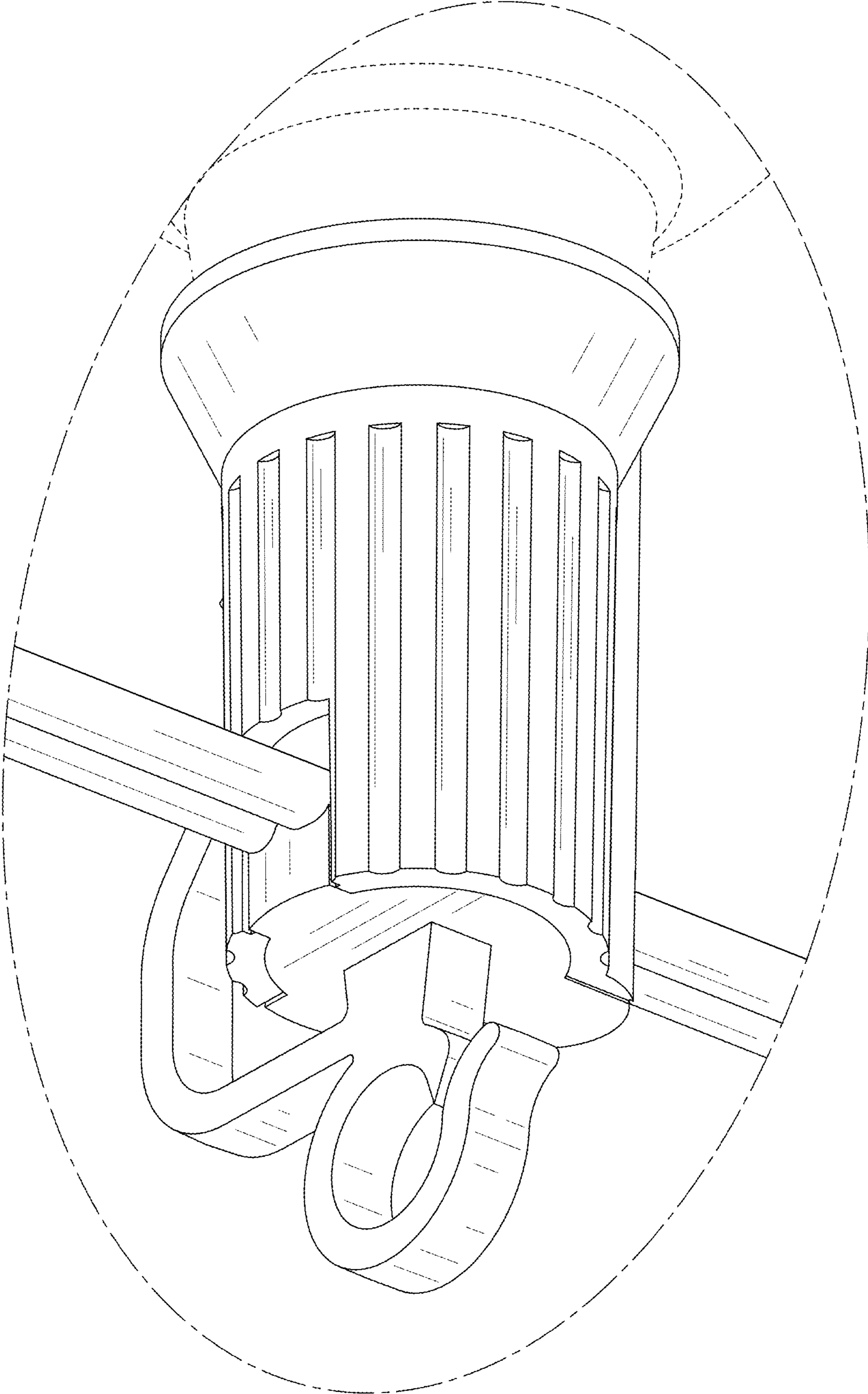


FIG. 9