



US00D950107S

(12) **United States Design Patent**
Stocks et al.

(10) **Patent No.:** **US D950,107 S**

(45) **Date of Patent:** **** Apr. 26, 2022**

- (54) **ARCHITECTURAL PANEL**
- (71) Applicant: **Smith & Fong Co.**, Novato, CA (US)
- (72) Inventors: **Donald Angus Stocks**, Novato, CA (US); **Robin Reigi**, Staten Island, NY (US)
- (73) Assignee: **SMITH & FONG COMPANY**, Novato, CA (US)
- (**) Term: **15 Years**
- (21) Appl. No.: **29/713,733**
- (22) Filed: **Nov. 18, 2019**
- (51) **LOC (13) Cl.** **25-01**
- (52) **U.S. Cl.**
USPC **D25/138**
- (58) **Field of Classification Search**
USPC D25/119–125, 138, 139, 141–144, D25/159–162, 164
CPC E04D 1/02; E04D 1/06; E04D 1/18; E04D 1/24; E04D 1/26; E04D 1/265; E04D 2003/3617; E04D 3/00; E04D 3/02; E04D 3/04; E04D 3/16; E04D 3/361; E04D 3/368; E04F 13/00; E04F 13/007; E04F 13/072; E04F 13/074; E04F 13/075; E04F 13/076; E04F 13/078; E04F 13/08; E04F 13/26
See application file for complete search history.

D263,757 S *	4/1982	Dallaire	D25/125
4,486,998 A *	12/1984	Hague	E04D 3/3607 52/478
D390,732 S *	2/1998	Nadar	D25/125
D426,321 S *	6/2000	Lockwood	D25/138
D448,865 S *	10/2001	Manning	D25/139
D603,533 S *	11/2009	Gleeson	D25/125
D608,473 S *	1/2010	Larson	D25/138
D667,963 S *	9/2012	Griffiths	D25/125
D677,401 S *	3/2013	Griffiths	D25/119
D687,976 S *	8/2013	Griffiths	D25/119
D687,977 S *	8/2013	Griffiths	D25/119
D690,442 S *	9/2013	Griffiths	D25/119
D690,838 S *	10/2013	Griffiths	D25/119
D698,944 S *	2/2014	Griffiths	D25/119
D718,884 S *	12/2014	Thrush	D25/125
D733,328 S *	6/2015	Griffiths	D25/119
D733,329 S *	6/2015	Griffiths	D25/119
D734,501 S *	7/2015	Bodwell	D25/119
D781,461 S *	3/2017	Thrush	D25/121
D805,219 S *	12/2017	Shen	D25/138
D831,234 S *	10/2018	Clayton	D25/141

(Continued)

Primary Examiner — Llorelys Martinez

(74) *Attorney, Agent, or Firm* — Steven R. Vosen

(57) **CLAIM**

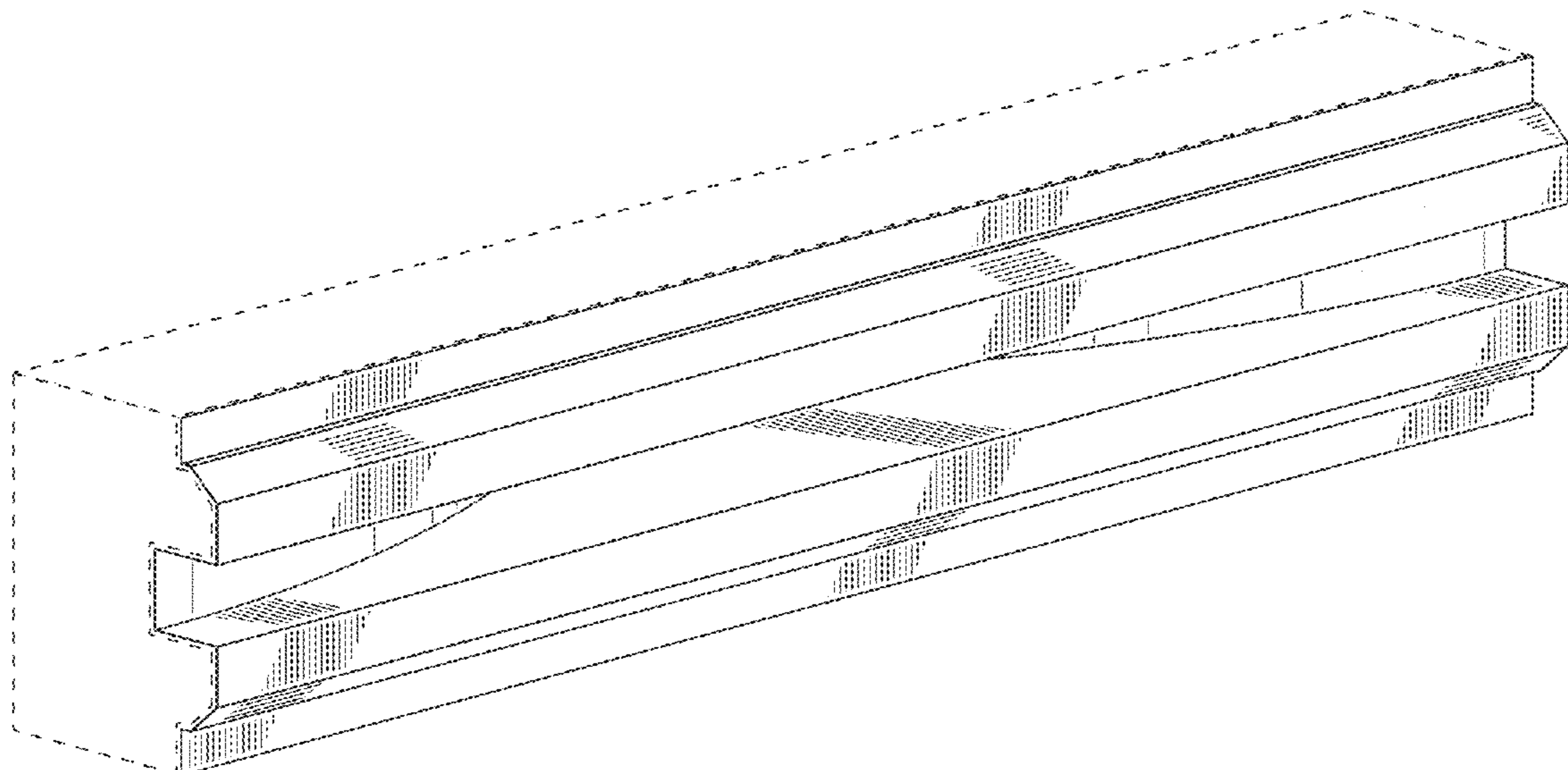
We claim the ornamental design for an architectural panel, as shown and described.

DESCRIPTION

FIG. 1 is an upper front left perspective view of an architectural panel showing our new design;
 FIG. 2 is a front elevational view thereof;
 FIG. 3 is a left side elevational view thereof, the right side elevational view being a mirror image thereof;
 FIG. 4 is a top plan view thereof, the bottom plan view being a mirror image thereof; and,
 FIG. 5 is a sectional view taken along lines 5-5 in FIG. 2. The broken lines in the drawings represent portions of the architectural panel that form no part of the claimed design.

1 Claim, 2 Drawing Sheets

- (56) **References Cited**
U.S. PATENT DOCUMENTS
3,466,831 A * 9/1969 Lenoir E04C 2/292
D25/123
D215,963 S * 11/1969 Flachbach D25/121
D216,836 S * 3/1970 Faulkner D25/125
3,674,620 A * 7/1972 McArthur et al. B32B 3/28
428/114
D263,752 S * 4/1982 Dallaire D25/125



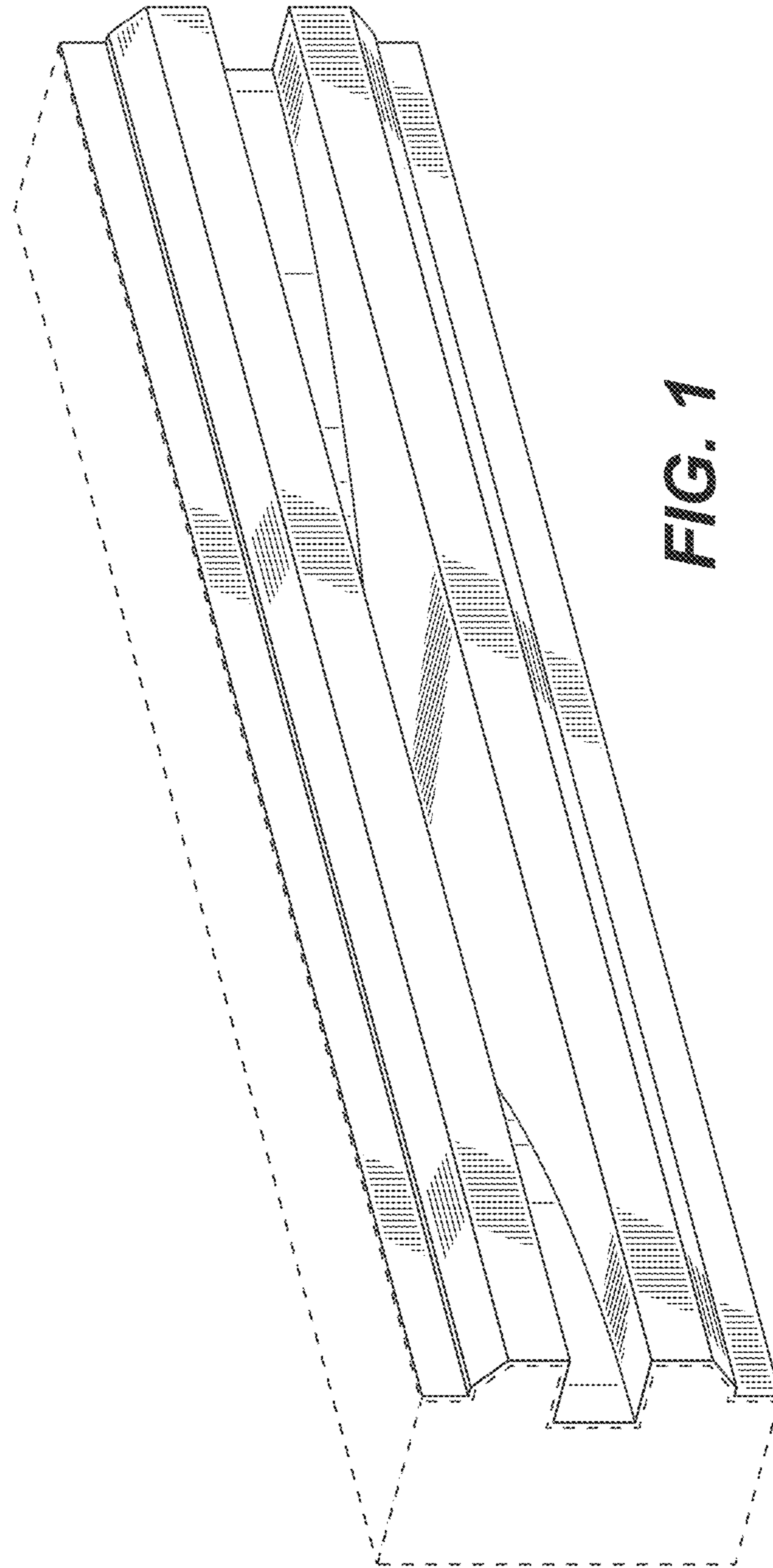
(56)

References Cited

U.S. PATENT DOCUMENTS

D831,235 S * 10/2018 Clayton D25/141
2018/0030722 A1 * 2/2018 Battaglia E04B 1/84
2019/0203477 A1 * 7/2019 Hill E04F 13/007

* cited by examiner



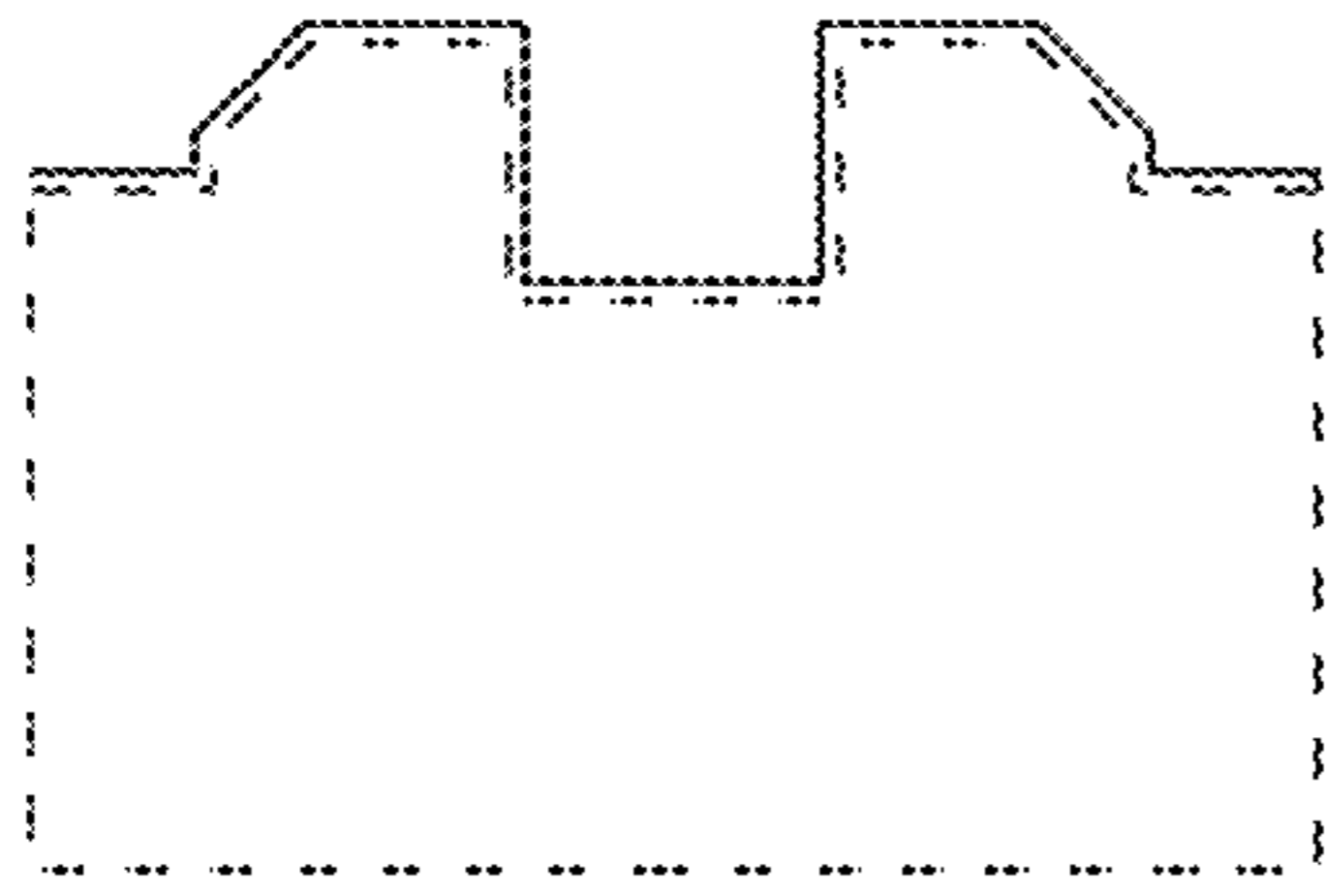


FIG. 3

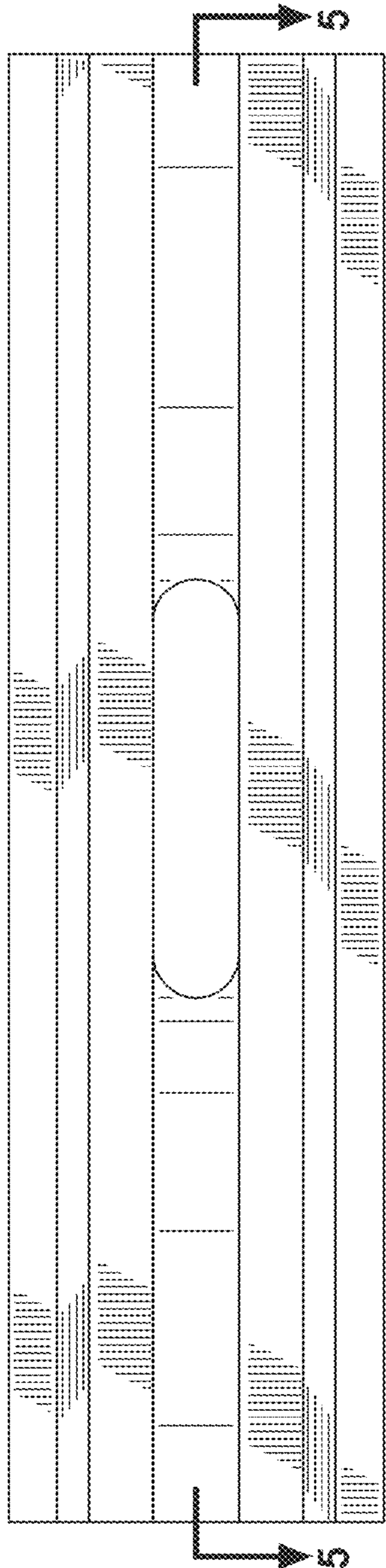


FIG. 2

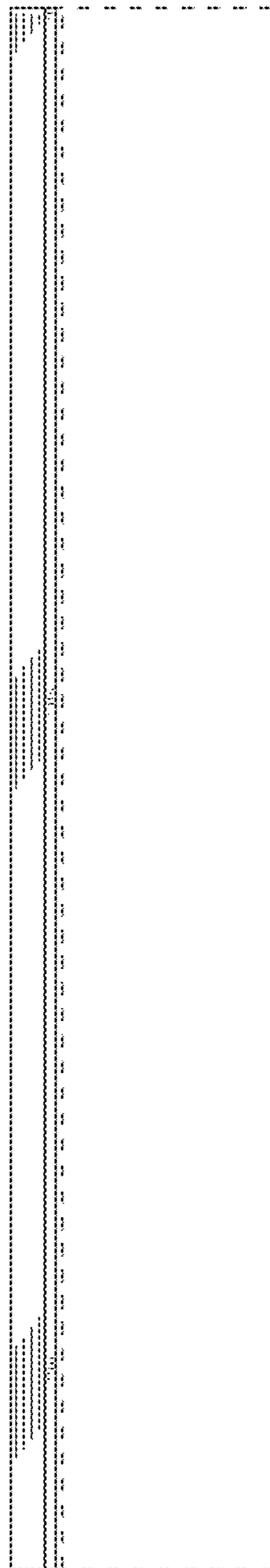


FIG. 4

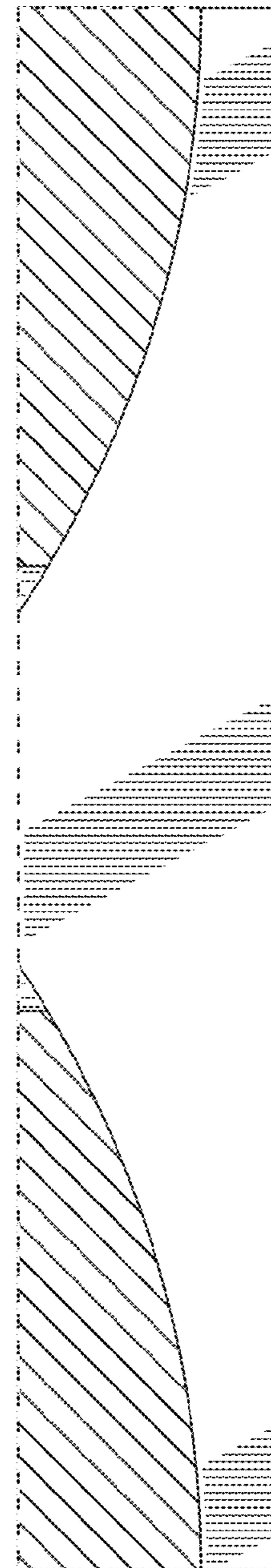


FIG. 5