



US00D950106S

(12) **United States Design Patent**
von Langsdorff

(10) **Patent No.:** **US D950,106 S**

(45) **Date of Patent:** **** *Apr. 26, 2022**

(54) **PAVING STONE**

(71) Applicant: **F. von Langsdorff Licensing Limited**,
Caledon (CA)

(72) Inventor: **Harald von Langsdorff**, Caledon (CA)

(73) Assignee: **F. von Langsdorff Licensing Limited**,
Caledon (CA)

(*) Notice: This patent is subject to a terminal disclaimer.

(**) Term: **15 Years**

(21) Appl. No.: **29/707,727**

(22) Filed: **Sep. 30, 2019**

Related U.S. Application Data

(63) Continuation-in-part of application No. 29/572,840,
filed on Jul. 31, 2016, now Pat. No. Des. 864,420.

(51) **LOC (13) Cl.** **25-01**

(52) **U.S. Cl.**
USPC **D25/113**

(58) **Field of Classification Search**
USPC D25/102, 113, 115, 118; D21/484
(Continued)

(56) **References Cited**

U.S. PATENT DOCUMENTS

4,834,575 A 5/1989 Barth et al.
4,997,308 A 3/1991 Welling, Jr.
(Continued)

FOREIGN PATENT DOCUMENTS

CN 204715139 U 10/2015
DE 8707649 U1 7/1987
(Continued)

OTHER PUBLICATIONS

Written Opinion and International Search Report issued in PCT/
CA2016/051345 dated Jan. 24, 2017.

Primary Examiner — Kimberly Barnes

(74) *Attorney, Agent, or Firm* — Santosh K. Chari; CPST
Intellectual Property Inc.

(57) **CLAIM**

The ornamental design for a paving stone, substantially as
shown and described.

DESCRIPTION

FIG. 1 is a top view of a paving stone showing my design,
according to a first embodiment.

FIG. 2 is a bottom view of the paving stone shown in FIG.
1.

FIG. 3 is a front view of the paving stone shown in FIG. 1.

FIG. 4 is a rear view of the paving stone shown in FIG. 1.

FIG. 5 is a right side view of the paving stone shown in FIG.
1.

FIG. 6 is a left side view of the paving stone shown in FIG.
1.

FIG. 7 is a front, right perspective view of the paving stone
shown in FIG. 1.

FIG. 8 is a top view of the paving stone according to a
second embodiment of the design.

FIG. 9 is a bottom view of the paving stone shown in FIG.
8.

FIG. 10 is a front view of the paving stone shown in FIG. 8.

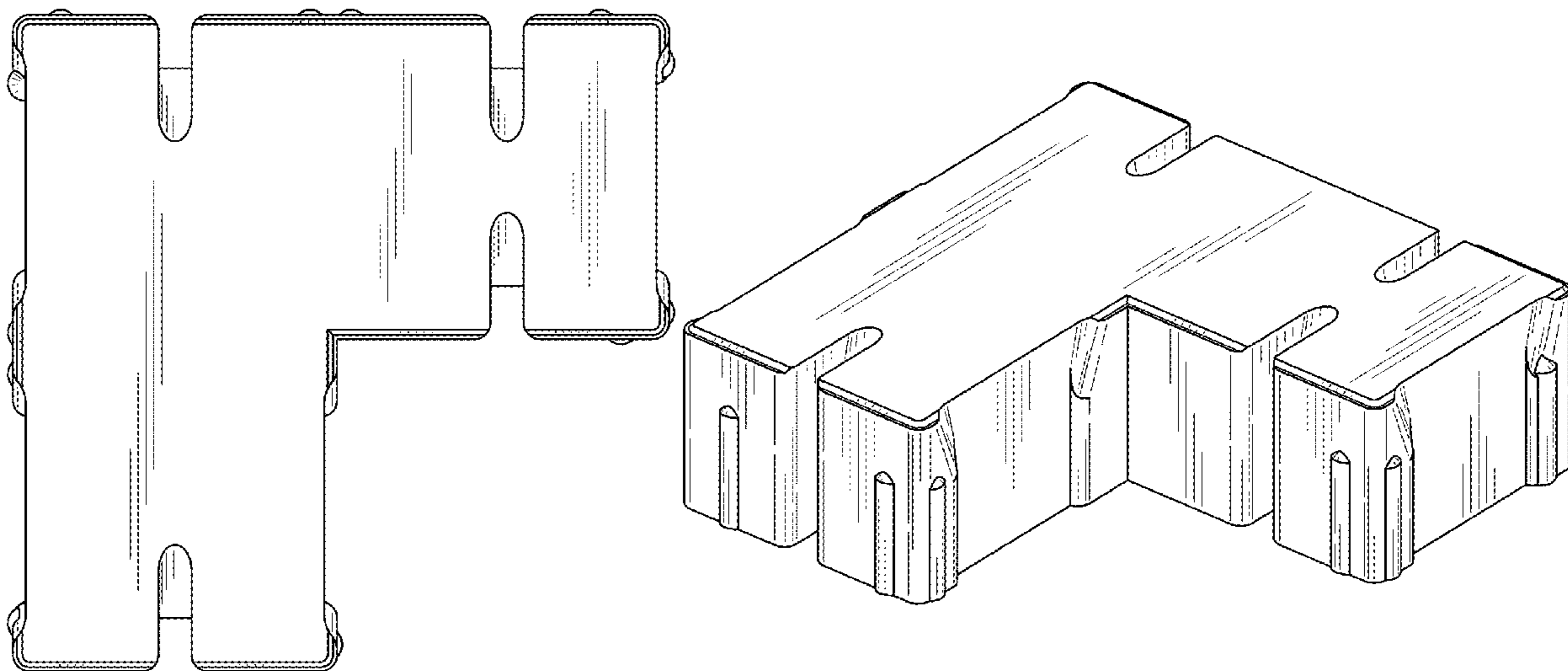
FIG. 11 is a rear view of the paving stone shown in FIG. 8.

FIG. 12 is a right side view of the paving stone shown in
FIG. 8.

FIG. 13 is a left side view of the paving stone shown in FIG.
8; and,

FIG. 14 is a front, right perspective view of the paving stone
shown in FIG. 8.

1 Claim, 6 Drawing Sheets



(58) **Field of Classification Search**
 CPC ... E01C 5/00; E01C 5/06; E01C 5/006; E01C
 2201/02; E01C 13/04; E01C 9/004; E04F
 15/02
 See application file for complete search history.

(56) **References Cited**

U.S. PATENT DOCUMENTS

5,342,142 A 8/1994 Barth et al.
 5,503,498 A * 4/1996 Scheiwiller E01C 5/00
 404/34
 D389,926 S * 1/1998 Barth D25/113
 D423,114 S * 4/2000 Fifield D25/115
 D426,317 S * 6/2000 Fifield D25/114
 D434,857 S * 12/2000 Scheiwiller D25/113
 D485,370 S * 1/2004 Schmitz D25/113
 D498,543 S * 11/2004 Schmitz D25/113
 6,863,469 B2 * 3/2005 Bolduc E01C 5/06
 404/34
 D508,739 S * 8/2005 Shillingburg D25/113
 D510,443 S * 10/2005 Von Langsdorff D25/112
 D511,012 S * 10/2005 Von Langsdorff D25/113

7,811,027 B2 * 10/2010 Scheiwiller E01C 5/00
 404/38
 7,850,394 B2 * 12/2010 Schroder E01C 5/00
 404/38
 D701,619 S * 3/2014 Pacitto D25/113
 D704,859 S * 5/2014 Gleason D25/113
 D737,467 S * 8/2015 Thomassen D25/113
 D789,556 S * 6/2017 Lundell D25/113
 D791,345 S * 7/2017 Lundell D25/112
 D824,542 S * 7/2018 Lundell D25/113
 10,081,918 B2 * 9/2018 Browning E01C 5/06
 D846,156 S * 4/2019 von Langsdorff D25/113
 D880,727 S * 4/2020 Lundell D25/113
 D896,997 S * 9/2020 von Langsdorff D25/113
 D900,340 S * 10/2020 von Langsdorff D25/113
 2014/0169878 A1 * 6/2014 MacDonald E01C 5/006
 404/41
 2018/0371705 A1 * 12/2018 MacDonald B28B 7/162

FOREIGN PATENT DOCUMENTS

WO 03/023145 A1 3/2003
 WO 2006080042 A1 8/2006

* cited by examiner

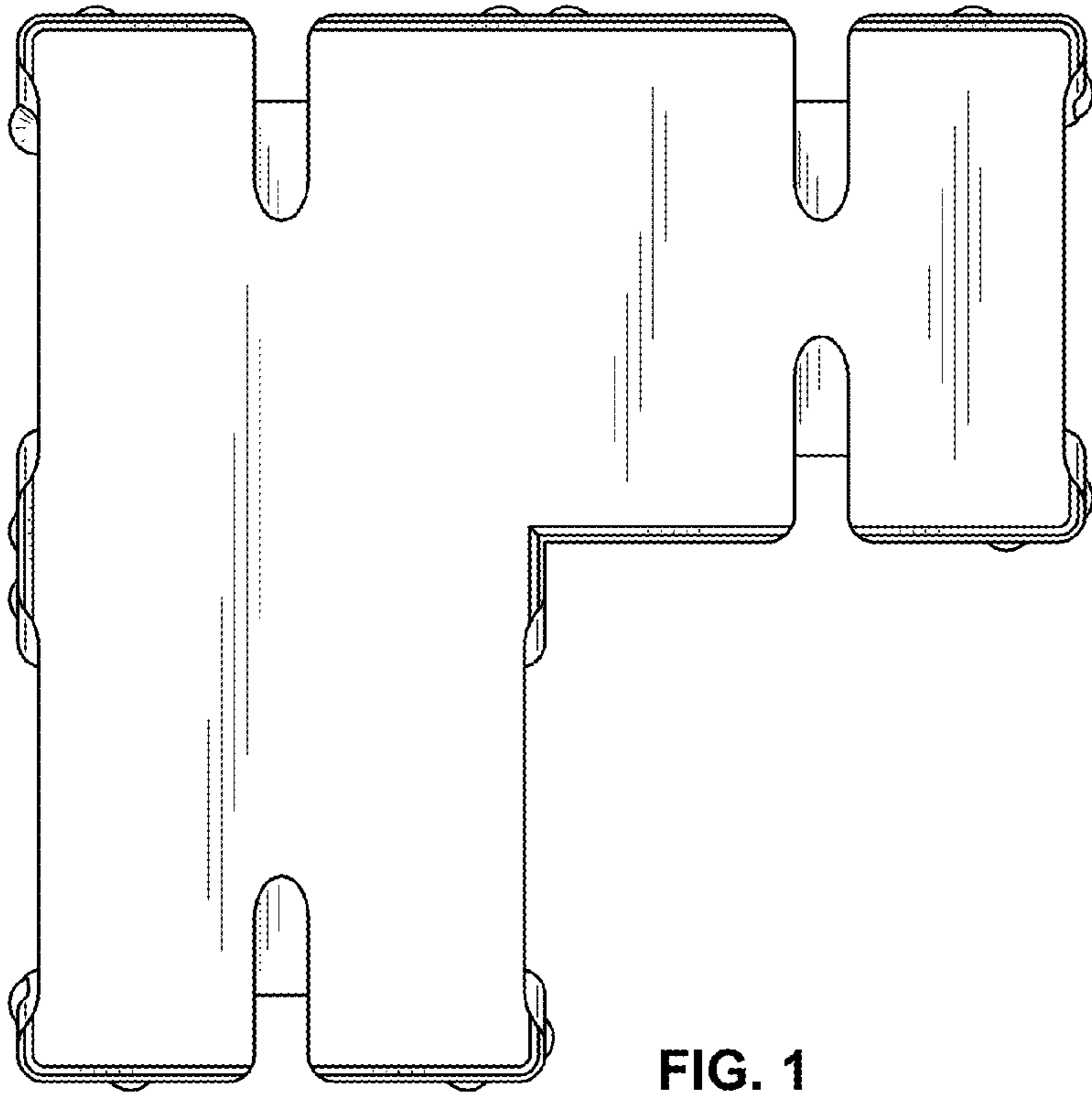


FIG. 1

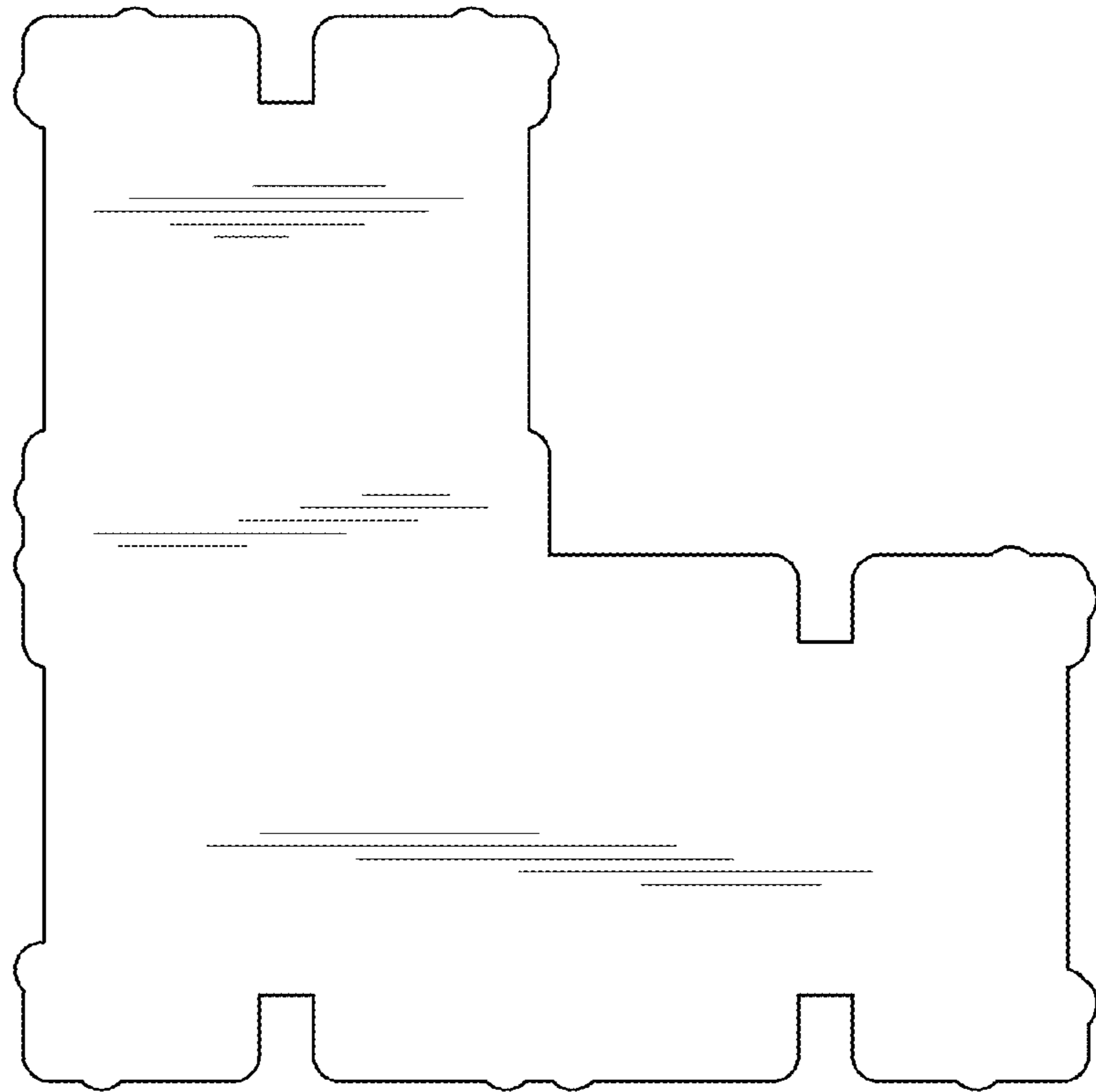


FIG. 2

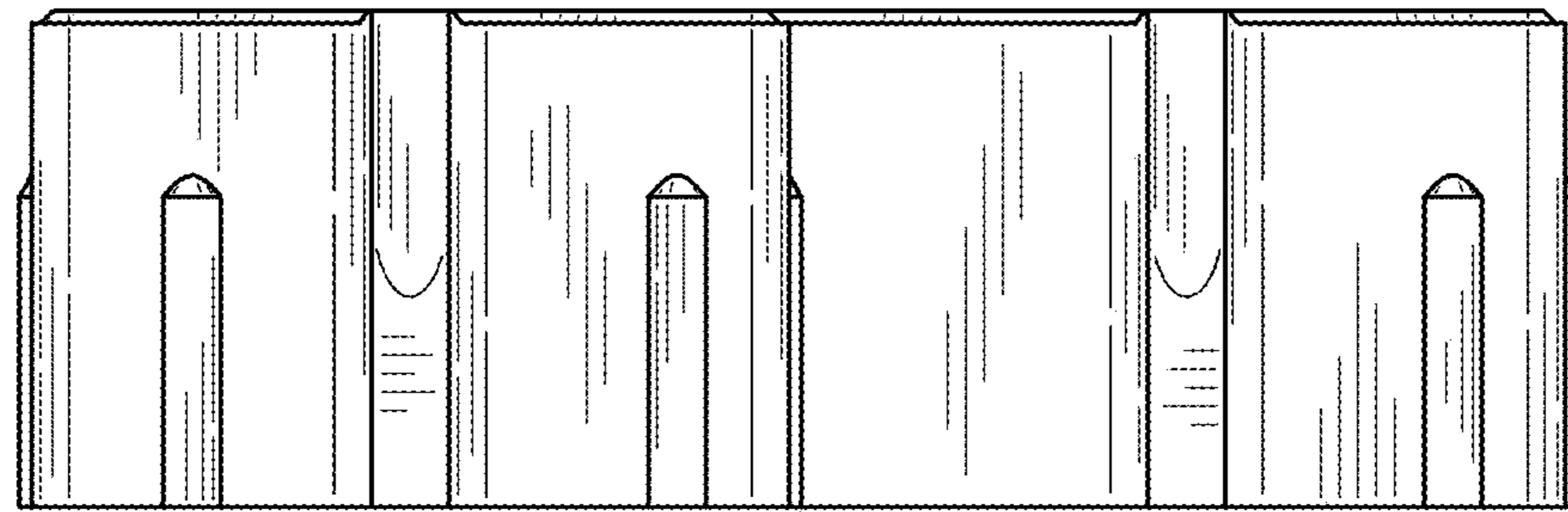


FIG. 3

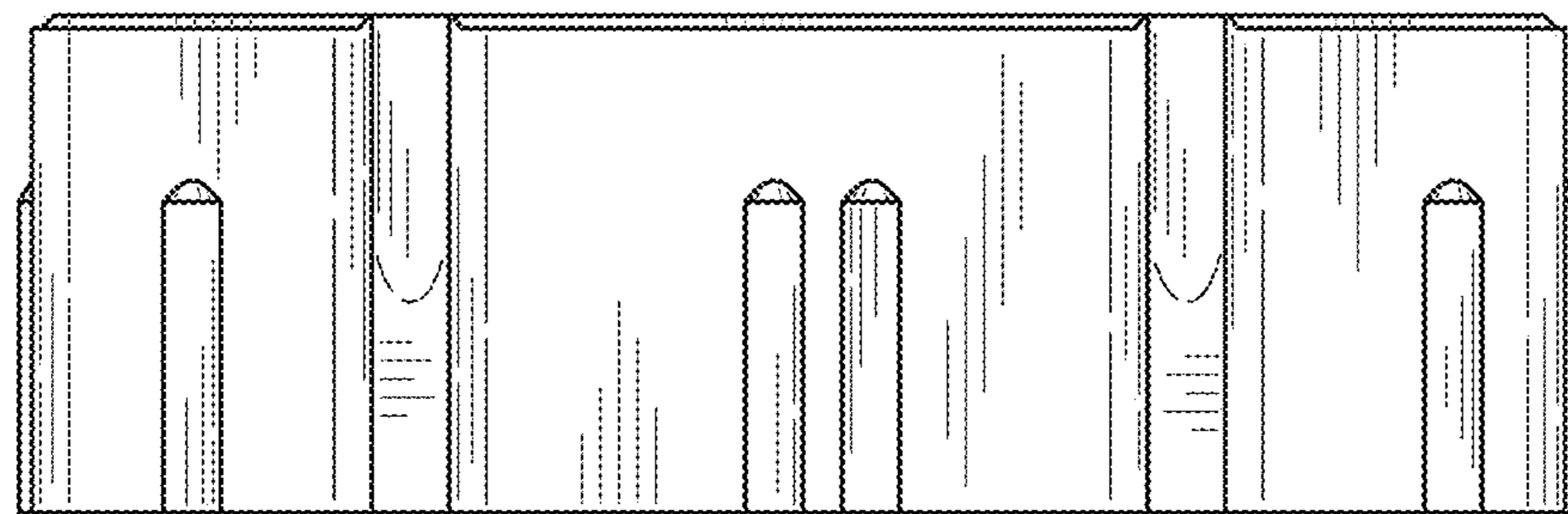


FIG. 4

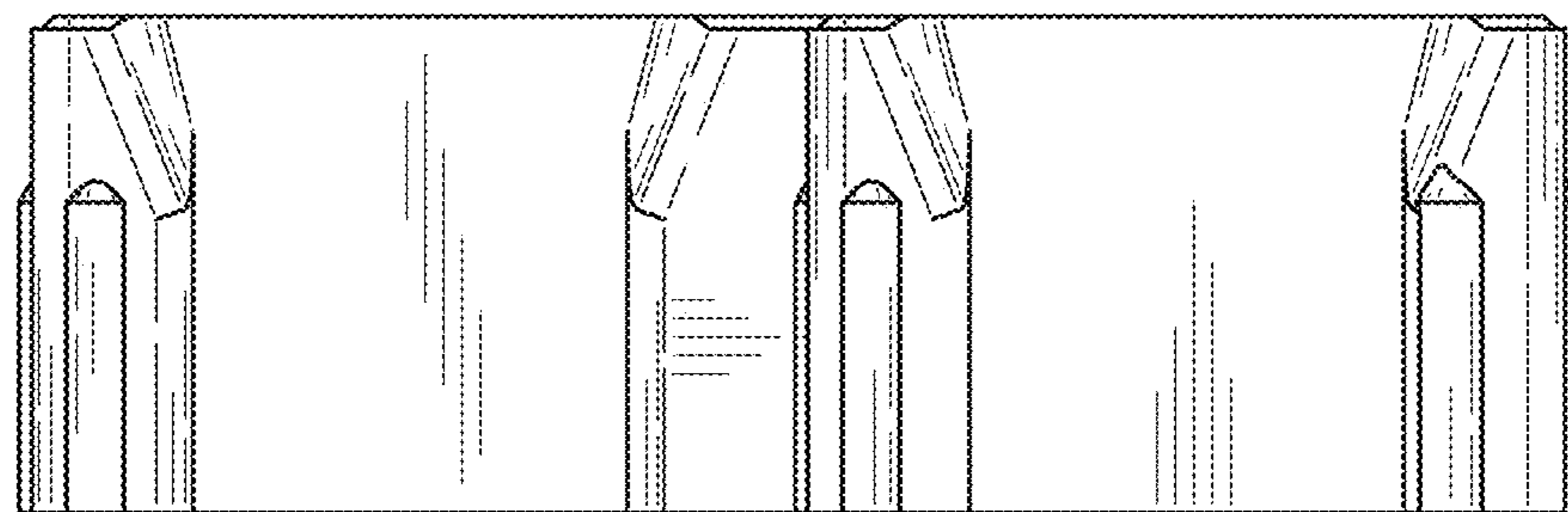


FIG. 5

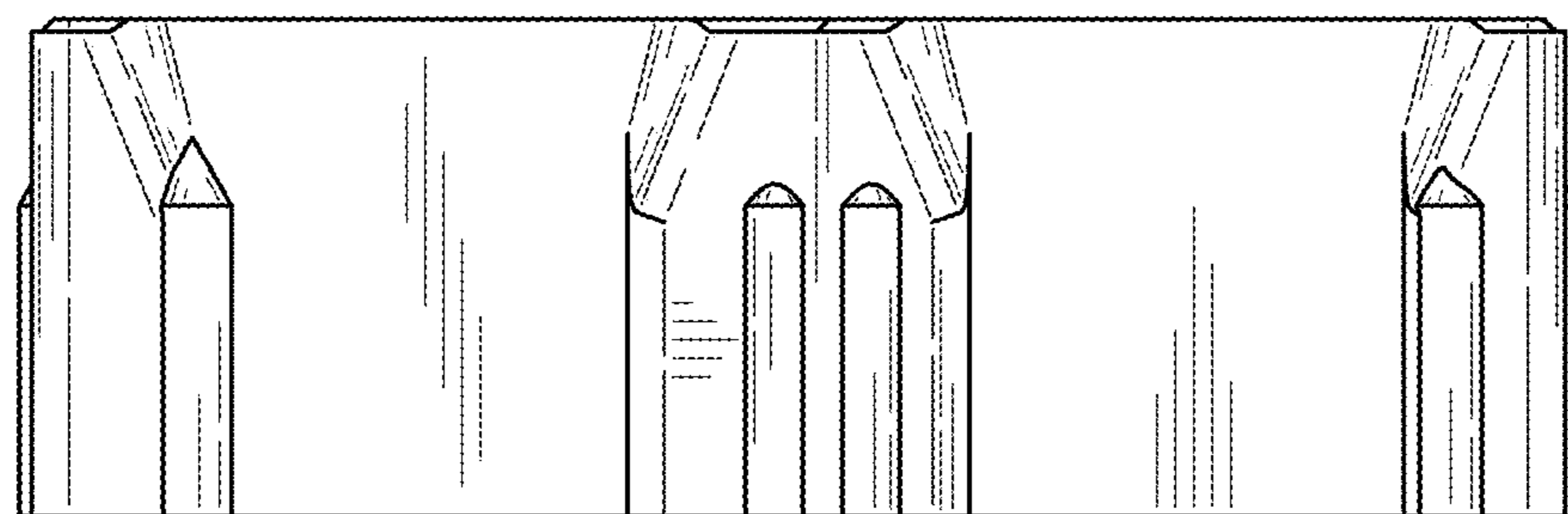


FIG. 6

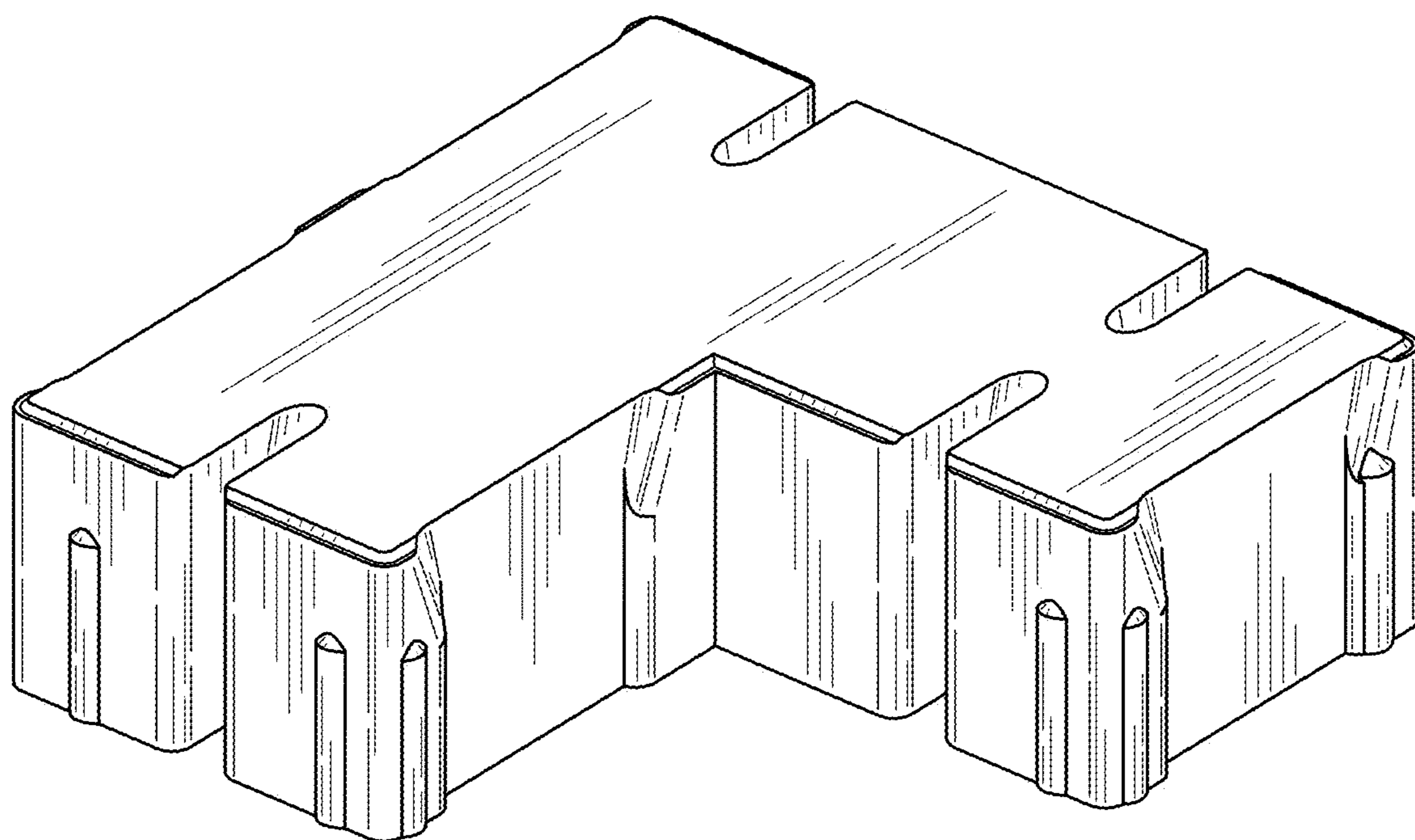


FIG. 7

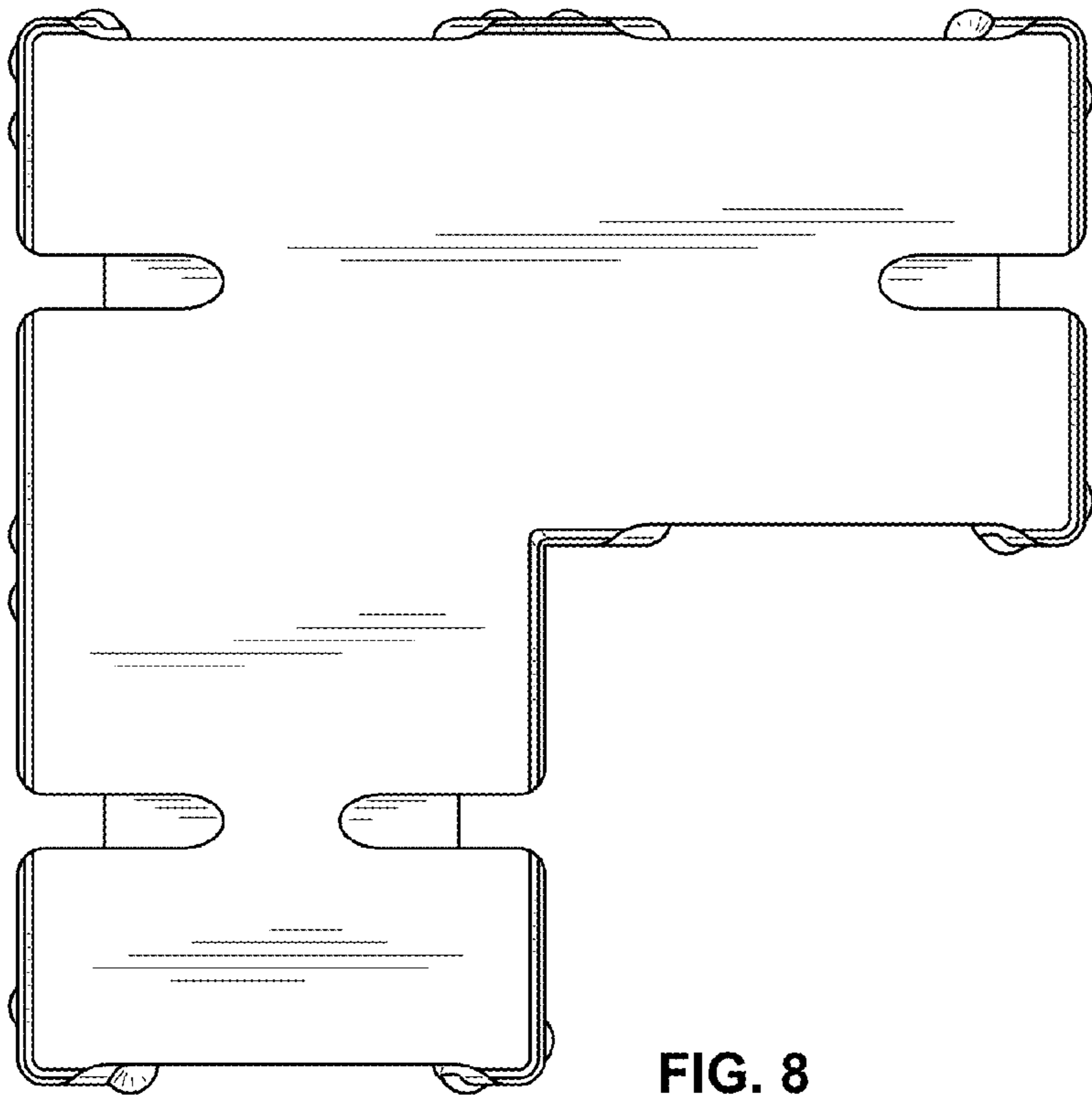


FIG. 8

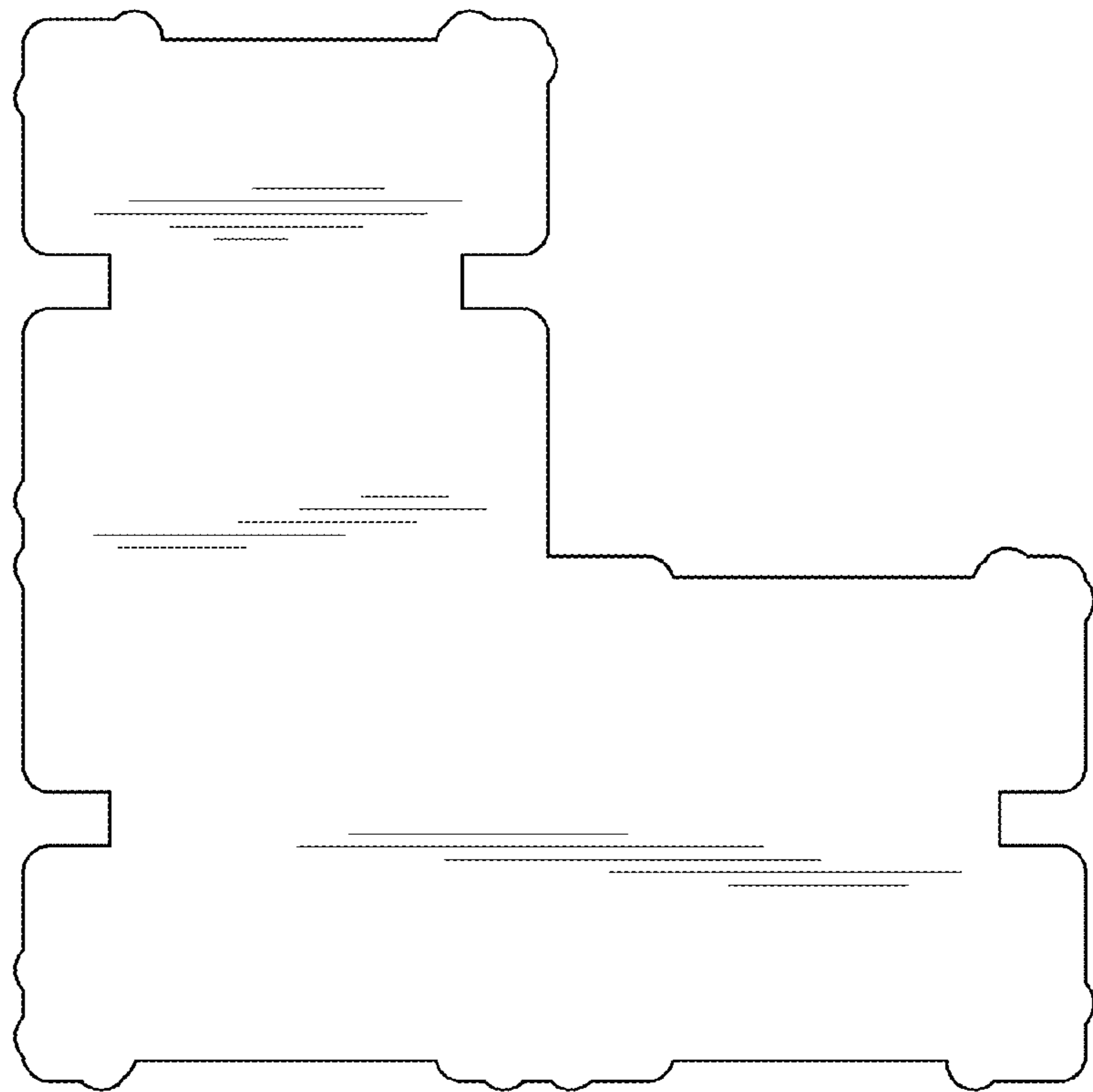


FIG. 9

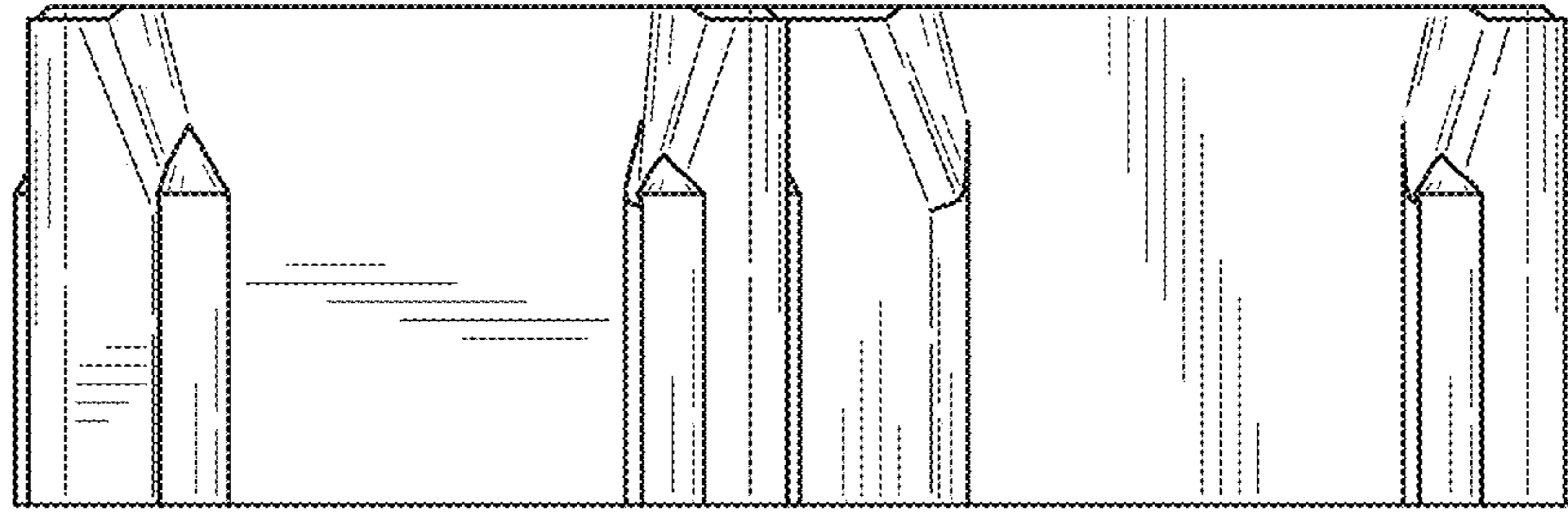


FIG. 10

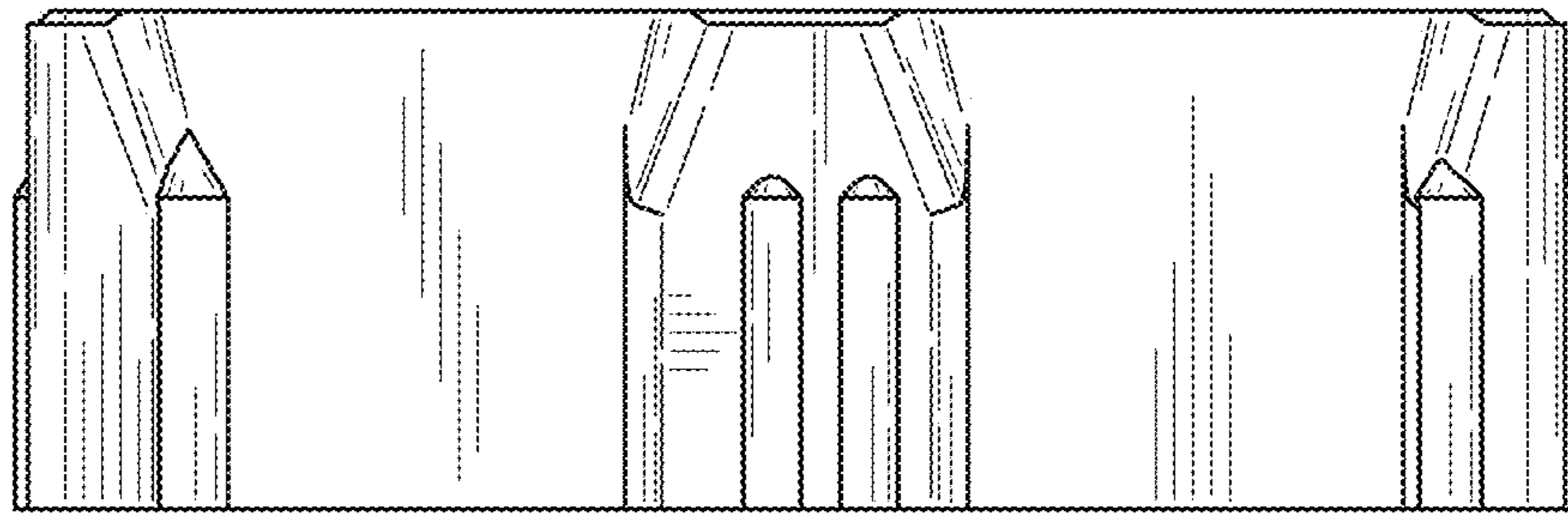


FIG. 11

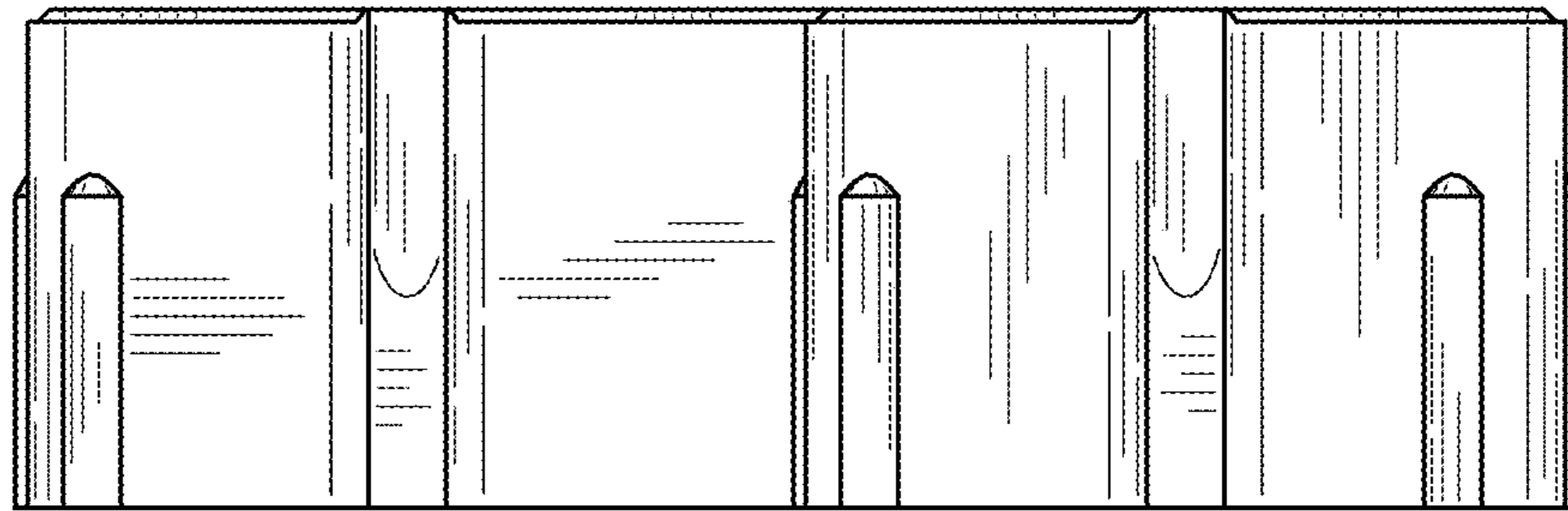


FIG. 12

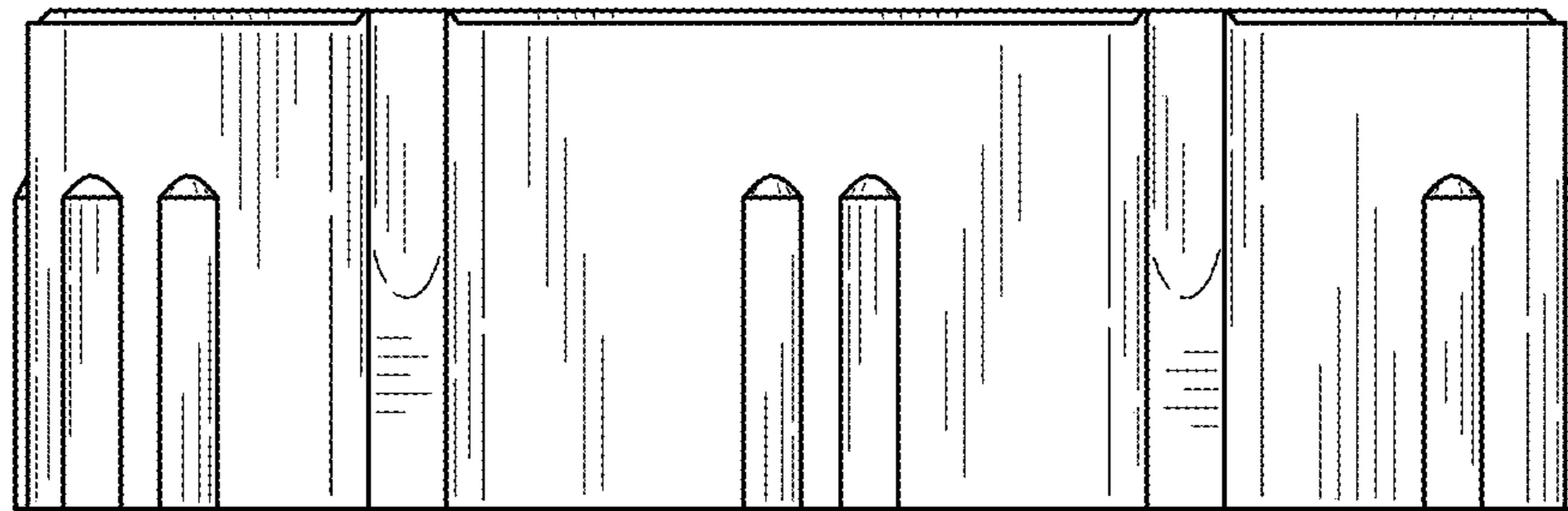


FIG. 13

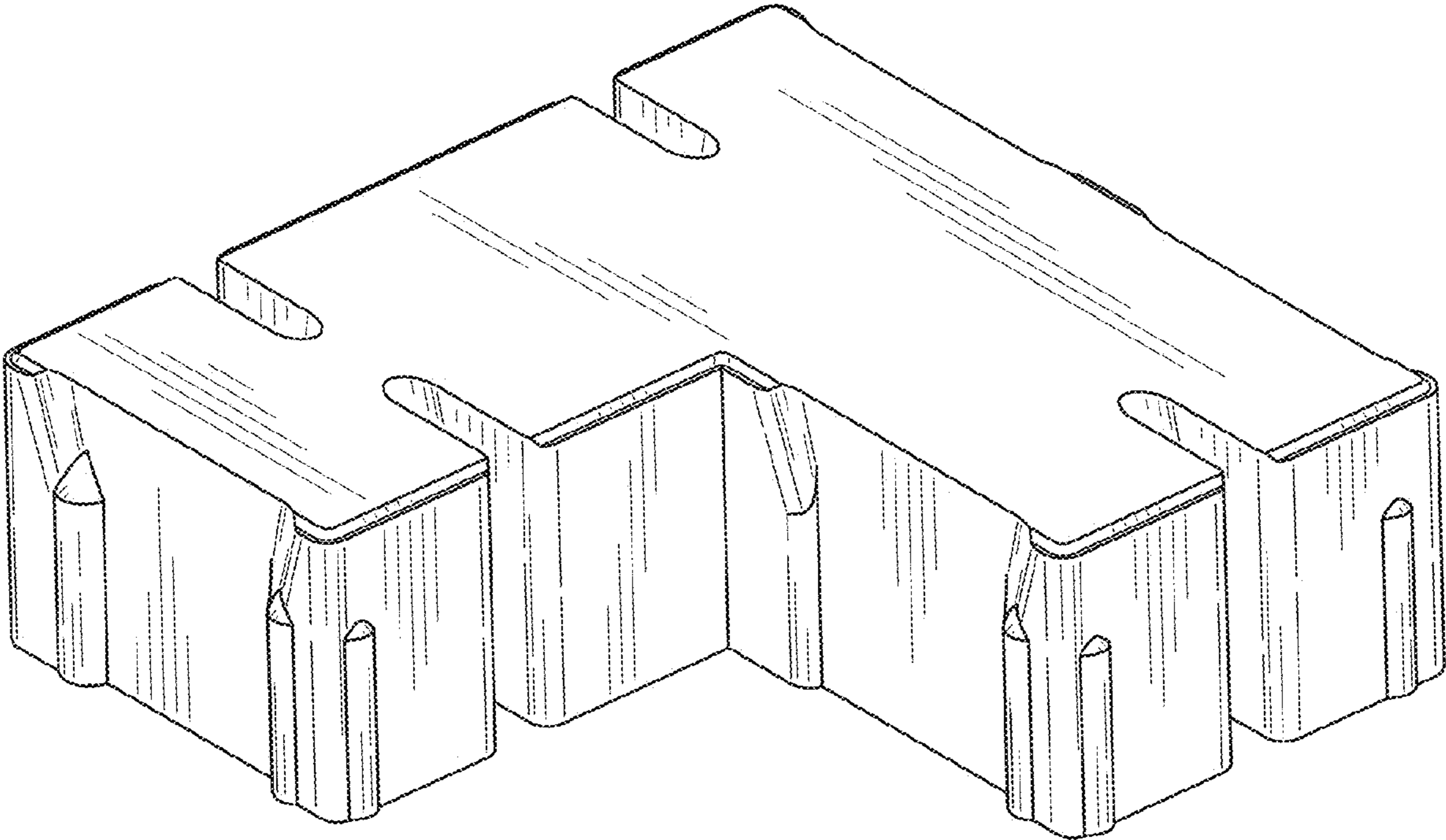


FIG. 14