



US00D950105S

(12) **United States Design Patent** (10) **Patent No.:** **US D950,105 S**
Dettbarn (45) **Date of Patent:** **** Apr. 26, 2022**

(54) **I-JOIST**

(71) Applicant: **Pinkwood Limited**, Calgary (CA)
(72) Inventor: **Richard Dettbarn**, Calgary (CA)
(73) Assignee: **PINKWOOD LTD.**, Calgary (CA)
(**) Term: **15 Years**

(21) Appl. No.: **29/721,717**

(22) Filed: **Jan. 22, 2020**

(30) **Foreign Application Priority Data**

Dec. 17, 2019 (CA) CA 192008

(51) **LOC (13) Cl.** **25-02**

(52) **U.S. Cl.**

USPC **D25/61**

(58) **Field of Classification Search**

USPC D25/61, 126, 128, 164, 199

CPC E04C 3/00; E04C 3/02; E04C 3/12; E04C

3/122; E04C 3/125; E04C 3/14; E04C

3/145; E04C 3/29; E06B 1/04; E06B

1/38; E06B 1/40; E06B 1/62; E06B 1/64;

E06B 1/68; E06B 2001/622; E06B

2001/626; E06B 2001/628; E06B 5/00;

E06B 5/003

See application file for complete search history.

(56) **References Cited**

U.S. PATENT DOCUMENTS

D596,314 S * 7/2009 Parsons D25/61

8,561,373 B1 * 10/2013 McDonald E04C 3/14

52/846

8,640,429 B1 * 2/2014 Watts E04C 3/28

52/838

(Continued)

FOREIGN PATENT DOCUMENTS

CA 167981 * 1/2017

OTHER PUBLICATIONS

Handling+and+Installation+Recommendations+(Color),+US3W https://static1.squarespace.com/static/5ef593eced4fe30be2666697/t/5efd982063040d328e82587c/1593677865847/Handling+and+Installation+Recommendations+%28Color%29%2C+US+++3W.pdf Uploaded Apr. 2018 (Year: 2018).*

(Continued)

Primary Examiner — Leanne Was-Englehart

(74) *Attorney, Agent, or Firm* — Siritzky Law, PLLC

(57) **CLAIM**

I claim the ornamental design for an I-joist, as shown and described.

DESCRIPTION

A portion of the disclosure of this patent document contains material which is subject to copyright protection. The copyright owner has no objection to the facsimile reproduction by anyone of the patent document or the patent disclosure, as it appears in the Patent and Trademark Office patent file or records, but otherwise reserves all copyright rights whatsoever.

FIG. 1 is a perspective view of the I-joist according to my new design;

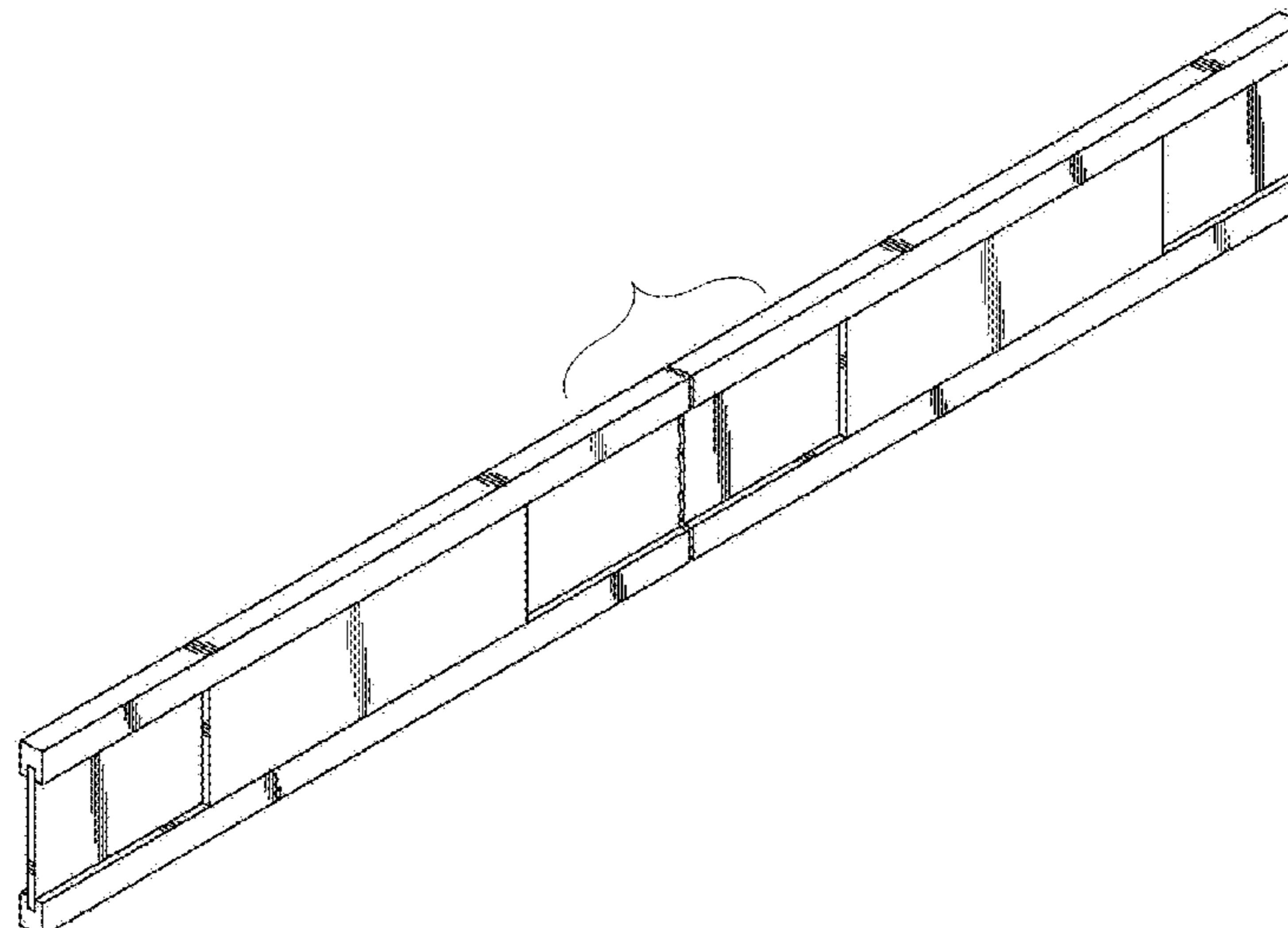
FIG. 2 is a right-side view of the I-joist of FIG. 1, the left-side view being the mirror image thereof;

FIG. 3 is a top view of the I-joist of FIG. 1, the bottom view being the mirror image thereof; and,

FIG. 4 is a front view of the of I-joist of FIG. 1, which is identical to the rear view of the I-joist.

The design consists of the features of shape, pattern, ornament, and configuration of the I-joist as shown in the drawings. The article contains symbolic breaks. The three-dimensional features on the right and left sides of the article repeat consistently and at regular intervals throughout the length of the article. The appearance of any portion of the article between the break lines forms no part of the claimed design.

1 Claim, 4 Drawing Sheets



(56)

References Cited

U.S. PATENT DOCUMENTS

8,820,034 B1 * 9/2014 Watts E04C 3/16
52/838
D796,063 S * 8/2017 Dettbarn D25/61
10,240,341 B2 * 3/2019 Dettbarn C09K 21/02
10,253,499 B2 * 4/2019 Hercus E04C 3/16
D872,875 S * 1/2020 Dettbarn D25/61
2004/0031230 A1 * 2/2004 Pabedinskas E04C 3/28
52/839
2010/0300037 A1 * 12/2010 Turner E04B 1/7654
52/782.1
2017/0121965 A1 * 5/2017 Dettbarn C09K 21/02
2017/0321418 A1 * 11/2017 Tremblay E04C 3/122

OTHER PUBLICATIONS

WEBSHIELD®Protected+I-joists+Flyer+(FRI+Assembly) Canada+
and+US 2W <https://static1.squarespace.com/static/5ef593eced4fe30be2666697/t/5efd95482650d843bed4fab4/1593677134356/WEBSHIELD%C2%AE+Protected+I-joists+Flyer+%28FRI+Assembly%29%2C+Canada+and+US+-+2W.pdf> Uploaded
Apr. 2018 (Year: 2018).*

* cited by examiner

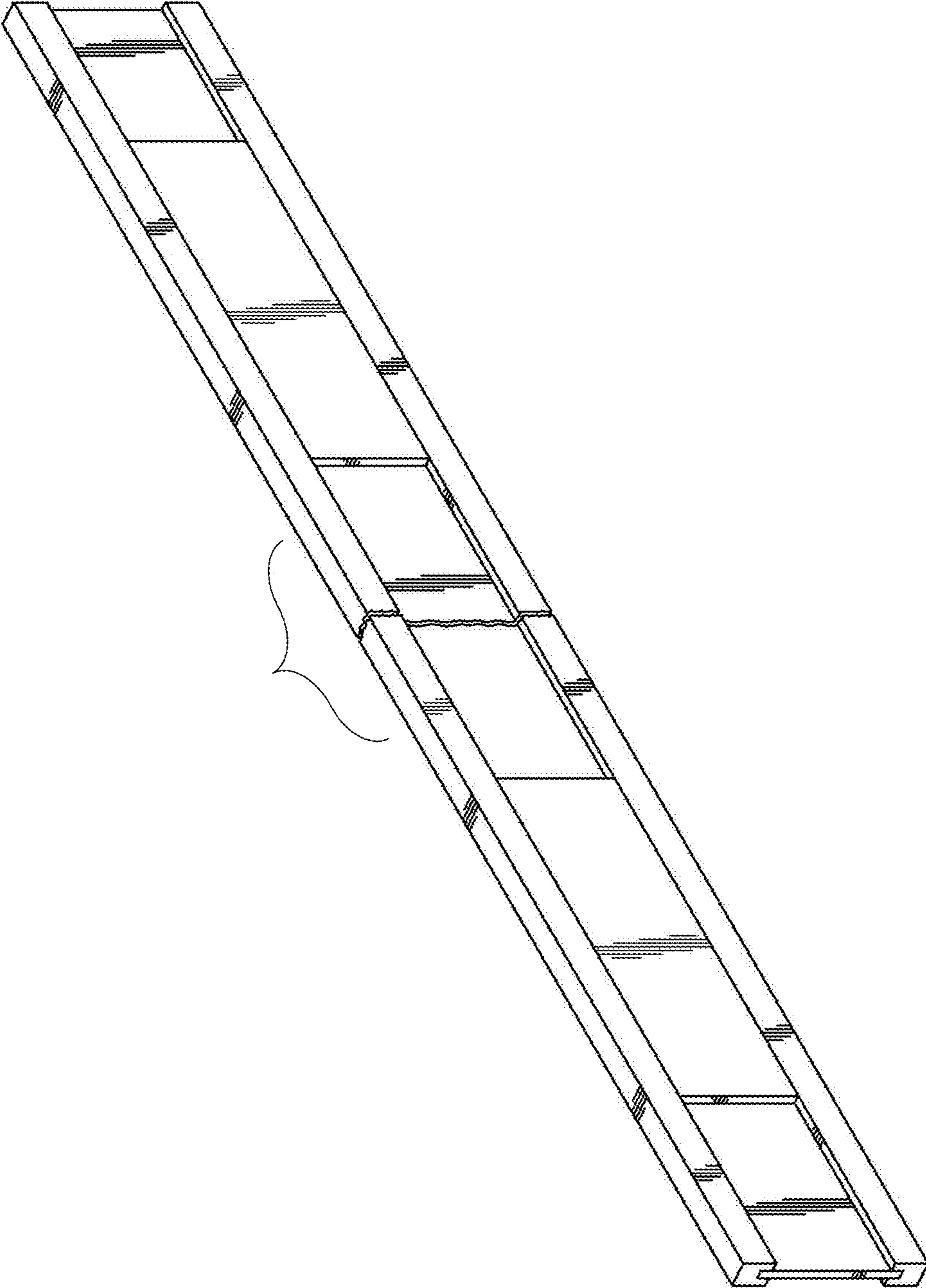


FIG. 1

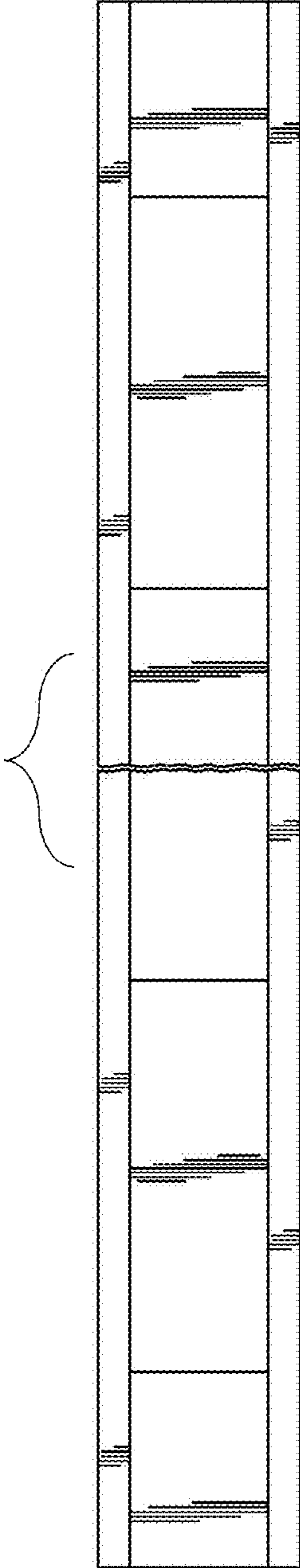


FIG. 2

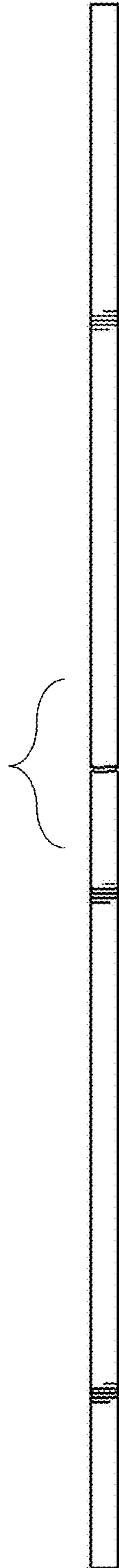


FIG. 3

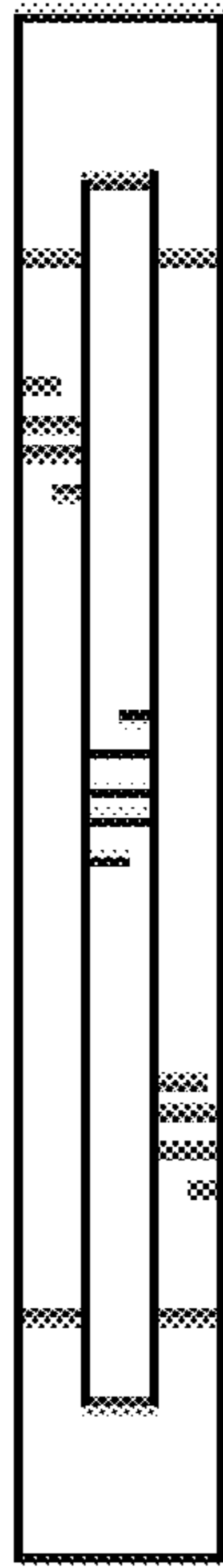


FIG. 4