



US00D950104S

(12) **United States Design Patent** (10) **Patent No.:** **US D950,104 S**
Felix et al. (45) **Date of Patent:** **** Apr. 26, 2022**

(54) **TRANSFER DOOR ENABLING THE DOCKING OF A CONTAINER FOR THE TRANSFER OF GOODS**

2016/0201382 A1* 7/2016 Dufour E05C 19/00
49/68
2018/0135219 A1* 5/2018 Frantz E06B 5/00
2018/0363204 A1* 12/2018 Gim D06F 39/14

(71) Applicant: **ABC TRANSFER**, Tours (FR)

FOREIGN PATENT DOCUMENTS

(72) Inventors: **Julien Felix**, Vendôme (FR); **Jean-Luc Schneider**, Saint-Firmin-des-Prés (FR); **Thierry Girard**, Paris (FR)

CN 109025715 A * 12/2018
GERGN-8209837000-1000 * 4/2020

(73) Assignee: **ABC TRANSFER**, Tours (FR)

OTHER PUBLICATIONS

(**) Term: **15 Years**

Decontamination pass-through RTP System (available online) Retrieved from the internet Oct. 7, 2021 from URL: <https://www.medicalexpo.com/prod/jce-biotechnology/product-127259-945308.html>.
ABC_Transfer Alpha_port (available online) Retrieved from the internet Oct. 7, 2021 from URL: <https://abctransfer.fr/produits/alpha-port/>.
6" Round Marine Boat Access Hatch (available online) Retrieved from the internet Oct. 7, 2021 from URL: https://www.becyuso.com/index.php?main_page=product_info&products_id=24988.

(21) Appl. No.: **35/510,608**

(22) Filed: **Apr. 21, 2020**

(80) **Hague Agreement Data**

Int. Filing Date: **Apr. 21, 2020**
Int. Reg. No.: **DM/209837**
Int. Reg. Date: **Apr. 21, 2020**
Int. Reg. Pub. Date: **Oct. 23, 2020**

* cited by examiner

Primary Examiner — Kevin K Rudzinski
Assistant Examiner — Richard Kearney
(74) *Attorney, Agent, or Firm* — TraskBritt

(51) **LOC (13) Cl.** **25-02**

(52) **U.S. Cl.**
USPC **D25/48.3**

(58) **Field of Classification Search**
USPC D8/330; D25/35, 48.1, 48.3, 48.4, 48.5, D25/48.6, 48.8
CPC E06B 5/00; E06B 5/01; E06B 5/06; E06B 5/10; E06B 5/1214; D06F 39/14
See application file for complete search history.

(57) **CLAIM**

The ornamental design for a transfer door enabling the docking of a container for the transfer of goods, as shown and described.

(56) **References Cited**

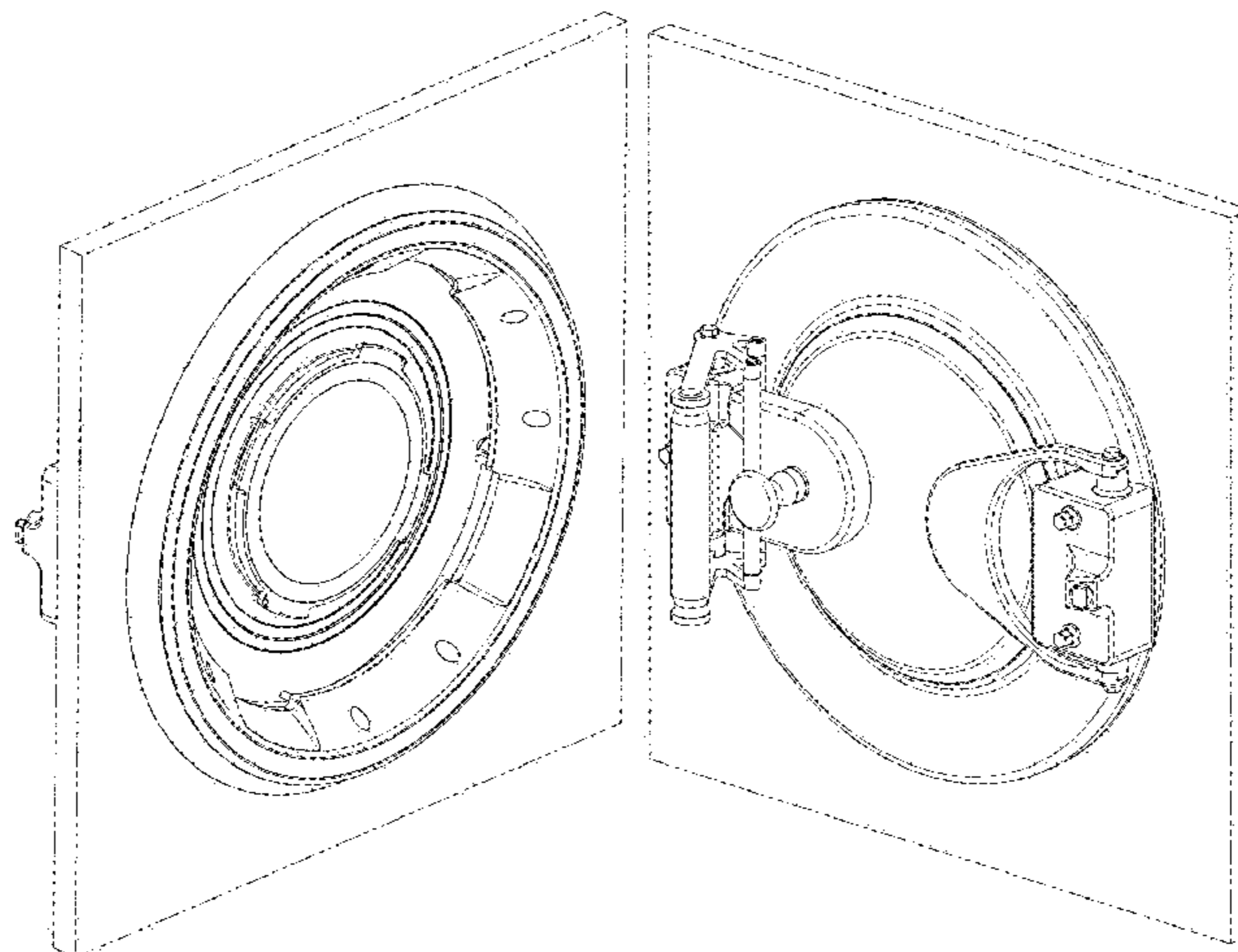
DESCRIPTION

U.S. PATENT DOCUMENTS

D296,758 S * 7/1988 Ogawa D8/330
5,161,329 A * 11/1992 Brown E06B 1/32
49/380
2013/0002113 A1* 1/2013 Loss D06F 39/14
312/291
2015/0252511 A1* 9/2015 Roberts D06F 37/26
8/137

FIG. 1.1 is a right side view of the design;
FIG. 1.2 is a bottom view thereof;
FIG. 1.3 is a top view thereof;
FIG. 1.4 is a back side perspective view thereof;
FIG. 1.5 is a front side perspective view thereof;
FIG. 1.6 is a front view thereof; and
FIG. 1.7 is a back view thereof.

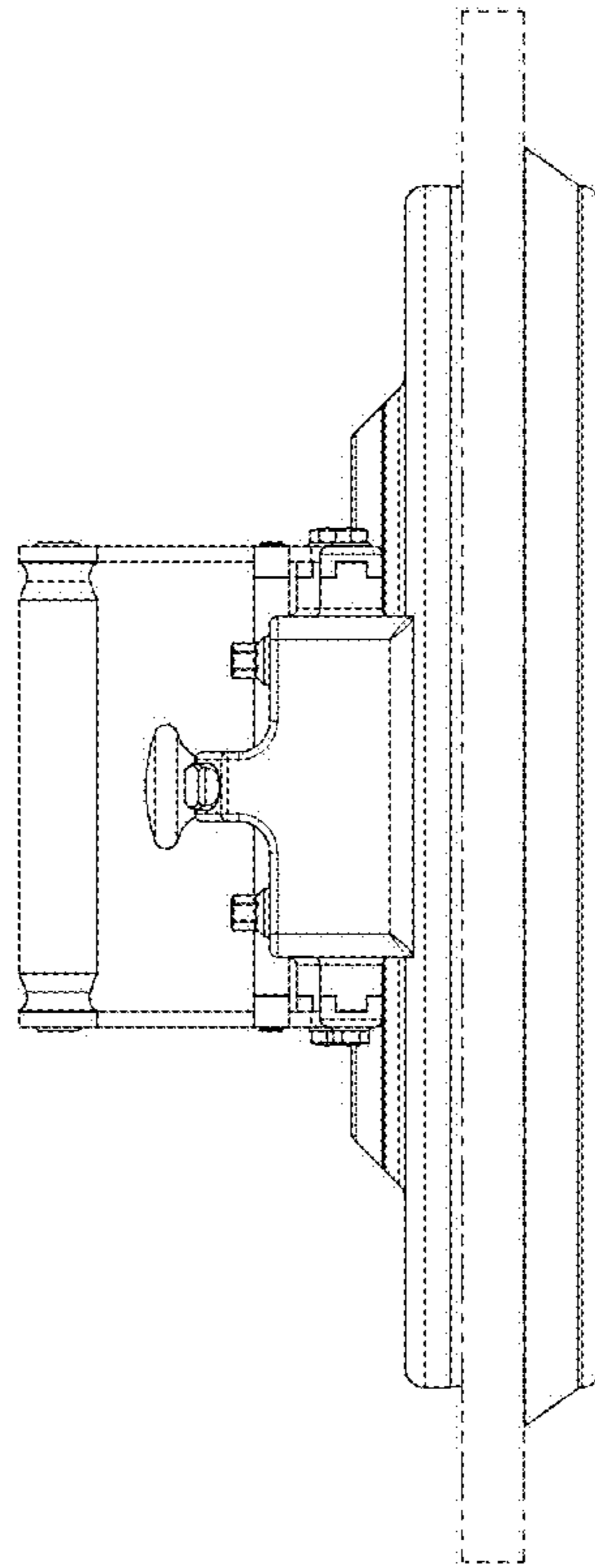
(Continued)

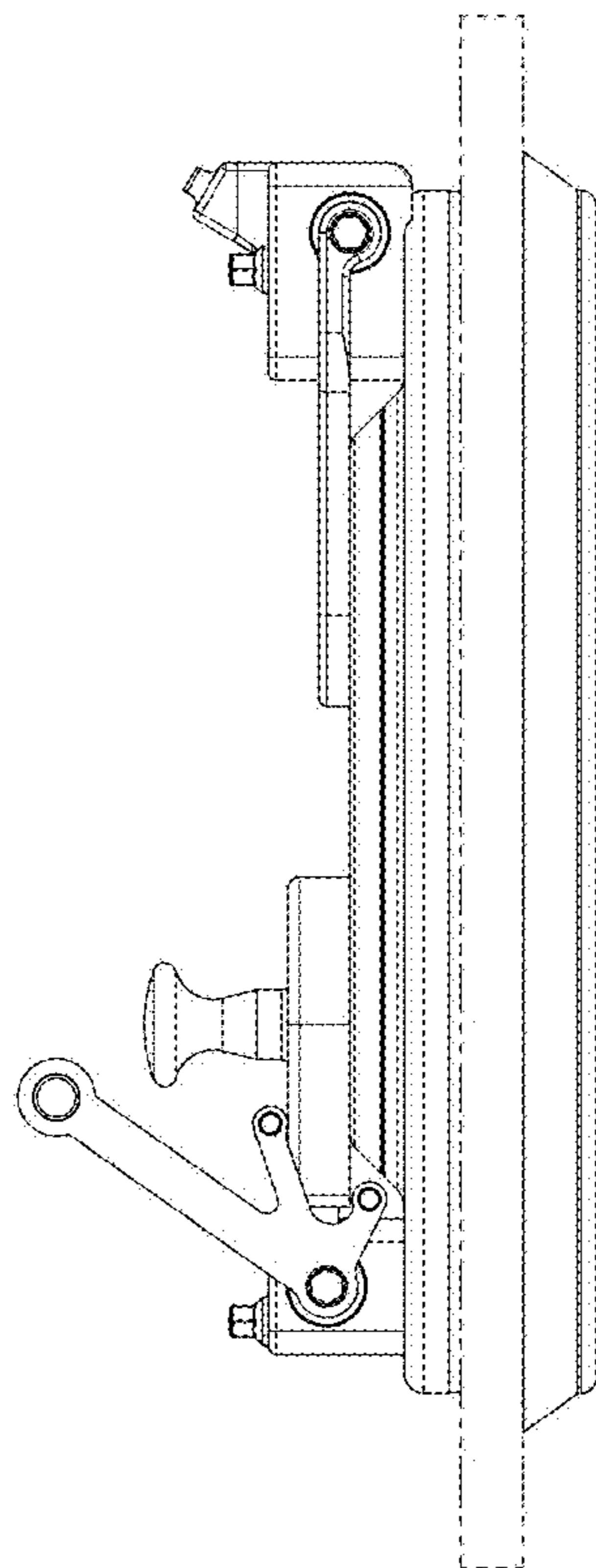


The broken lines in FIGS. 1.1-1.7 illustrate unclaimed subject matter and do not form any part of the claimed design.

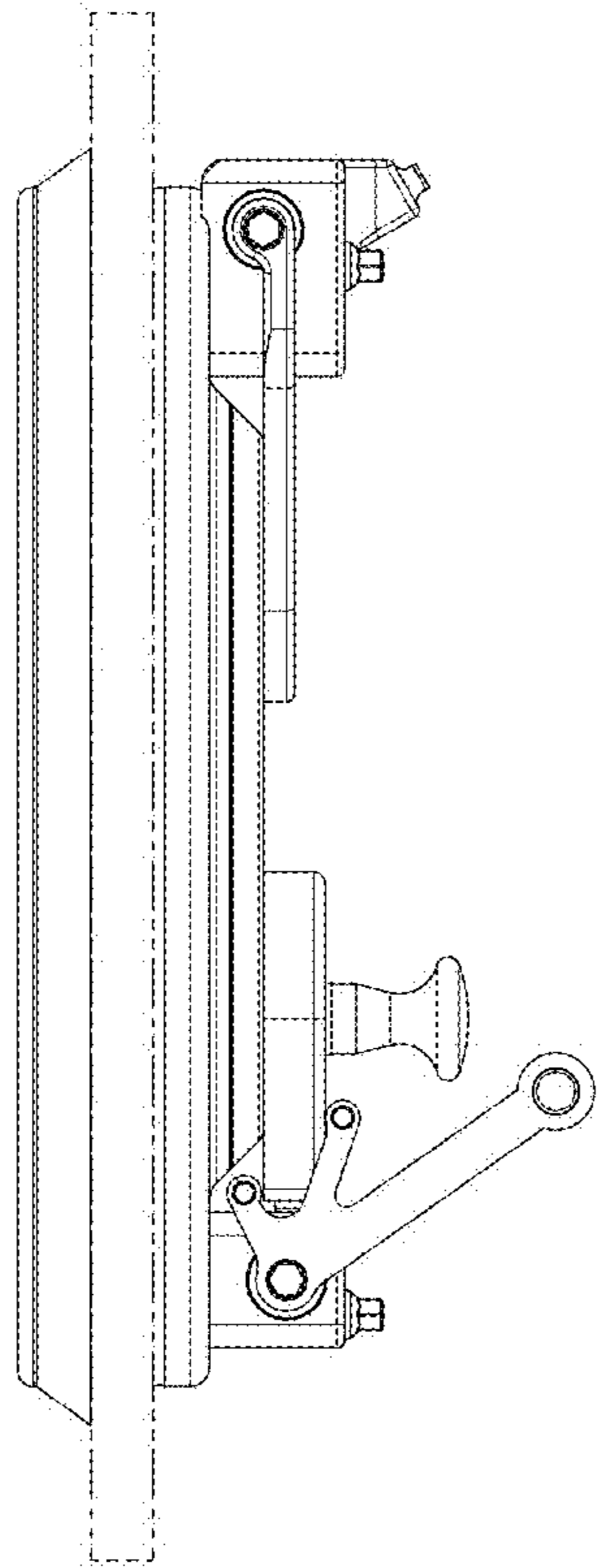
1 Claim, 7 Drawing Sheets

1.1



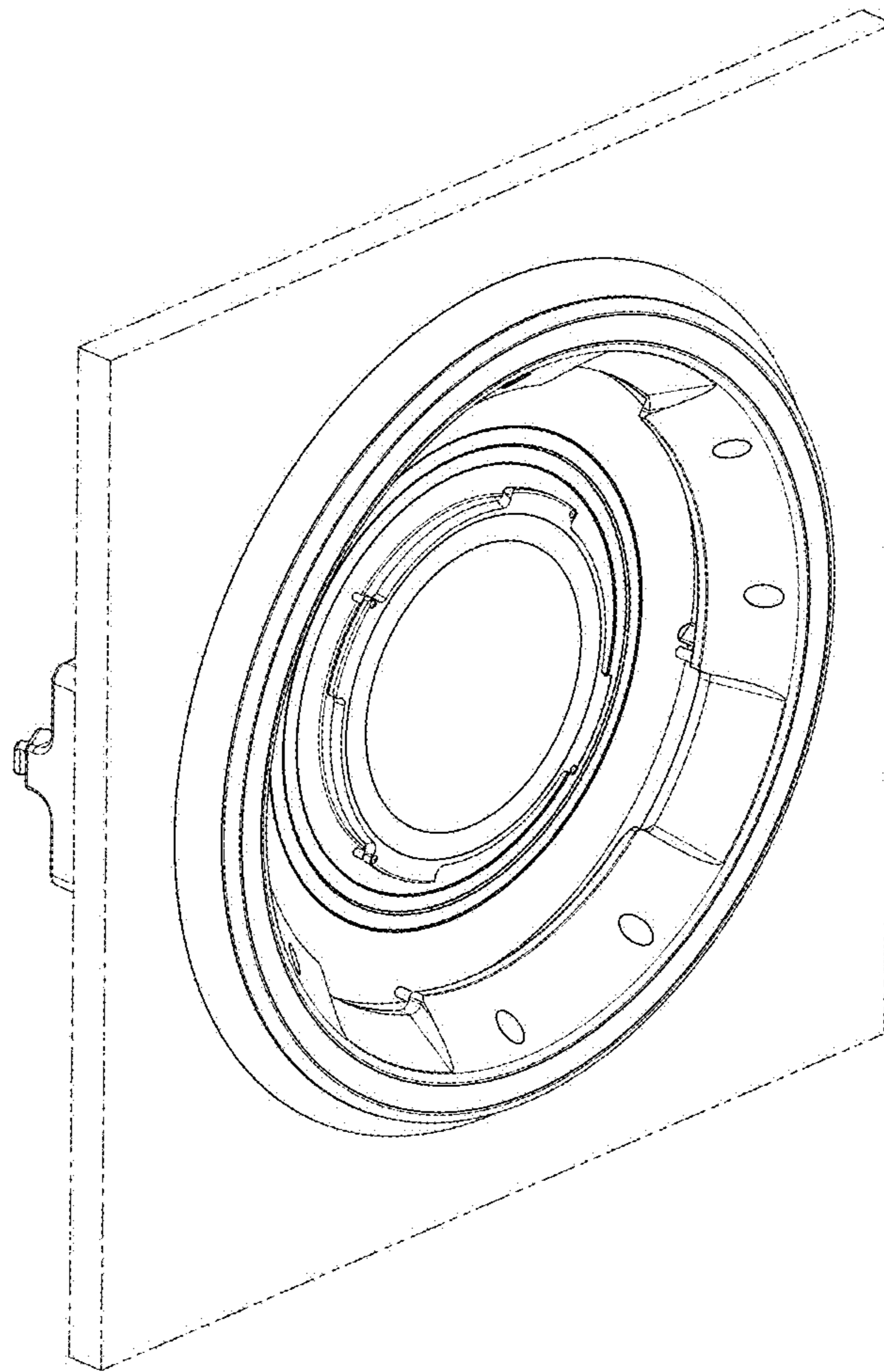


1.2

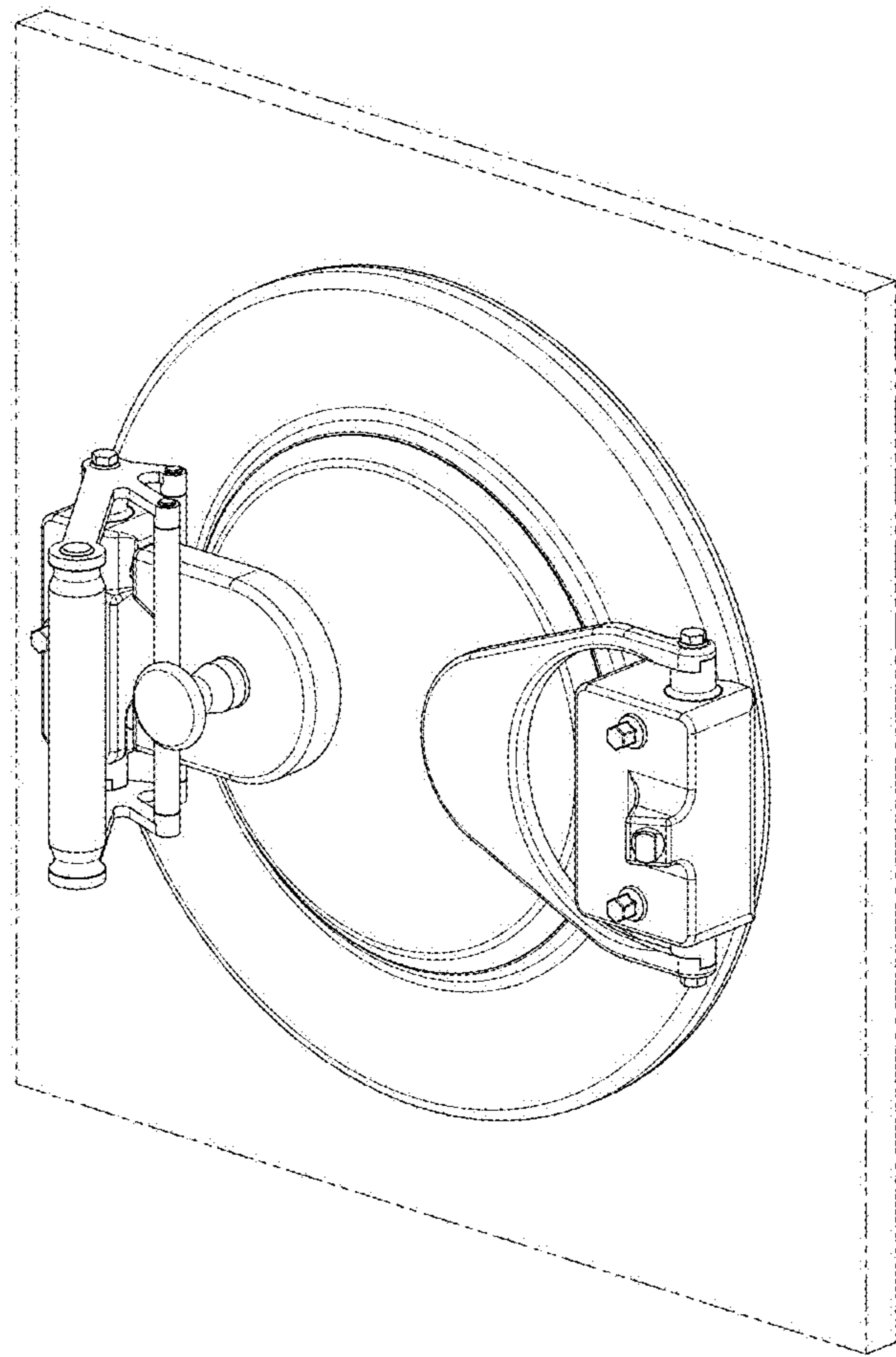


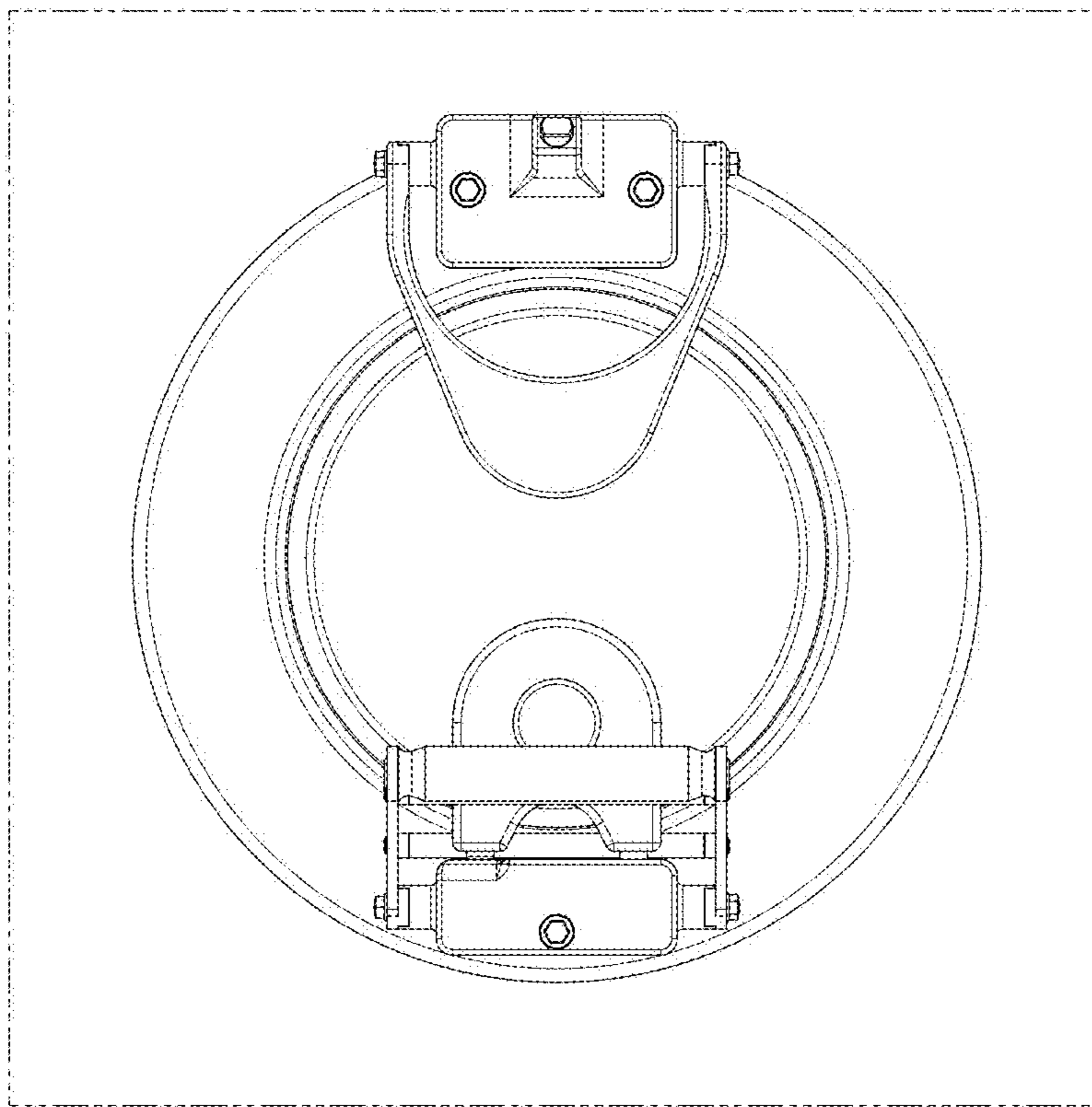
1.3

1.4



1.5





1.6

1.7

