



US00D950101S

(12) **United States Design Patent**
Meyer

(10) **Patent No.:** **US D950,101 S**

(45) **Date of Patent:** **** Apr. 26, 2022**

(54) **CASSETTE WITH INSERT TRAY FOR SURGICAL TOOLS**

(71) Applicant: **Straumann Holding AG**, Basel (CH)

(72) Inventor: **Corinne Meyer**, Liestal (CH)

(73) Assignee: **Straumann Holding AG**, Basel (CH)

(**) Term: **15 Years**

(21) Appl. No.: **35/509,126**

(22) Filed: **Mar. 6, 2020**

(80) **Hague Agreement Data**

Int. Filing Date: **Mar. 6, 2020**

Int. Reg. No.: **DM/206971**

Int. Reg. Date: **Mar. 6, 2020**

Int. Reg. Pub. Date: **Apr. 17, 2020**

(51) **LOC (13) Cl.** **24-02**

(52) **U.S. Cl.**
USPC **D24/217**

(58) **Field of Classification Search**
USPC D24/217, 224, 216; D4/304; D7/505
CPC A61B 2050/0058; A61B 2050/0059; A61B 50/20; A61B 50/22; A61B 50/30; A61B 50/33; A61B 50/34; A61L 2/26; A61L 2202/182; A61C 19/02; A61C 3/04
See application file for complete search history.

(56) **References Cited**

U.S. PATENT DOCUMENTS

- 4,798,292 A * 1/1989 Hauze A61L 2/26
206/439
- D314,307 S * 2/1991 Bush D7/356
- 5,246,105 A * 9/1993 Eykmann A47B 67/04
206/63.5
- D404,176 S * 1/1999 Goodin D32/3
- D412,607 S * 8/1999 Goodin D32/3
- D421,309 S * 2/2000 Riley D24/217

- 6,039,804 A * 3/2000 Kim C30B 7/00
117/206
- 6,331,280 B1 * 12/2001 Wood A61L 2/26
206/268
- D557,814 S * 12/2007 Glenn D24/217
- D687,565 S * 8/2013 Kawamura A61B 50/31
D24/224
- D824,534 S * 7/2018 Kelly D24/224
- D865,215 S * 10/2019 Dangelo D24/224
- 10,575,933 B2 * 3/2020 Berg A61B 50/33
- D893,740 S * 8/2020 Lv D24/217
- D900,333 S * 10/2020 Xie A61L 2/26
D24/217
- 2005/0224384 A1 * 10/2005 Sands A61B 50/31
206/503
- 2014/0202903 A1 * 7/2014 Dassonville A61B 50/33
206/370
- 2014/0339114 A1 * 11/2014 Griffin A61B 50/20
206/370
- 2015/0202023 A1 * 7/2015 Lee A61B 17/176
433/75

* cited by examiner

Primary Examiner — Calvin E Vansant

(74) *Attorney, Agent, or Firm* — Maier & Maier, PLLC

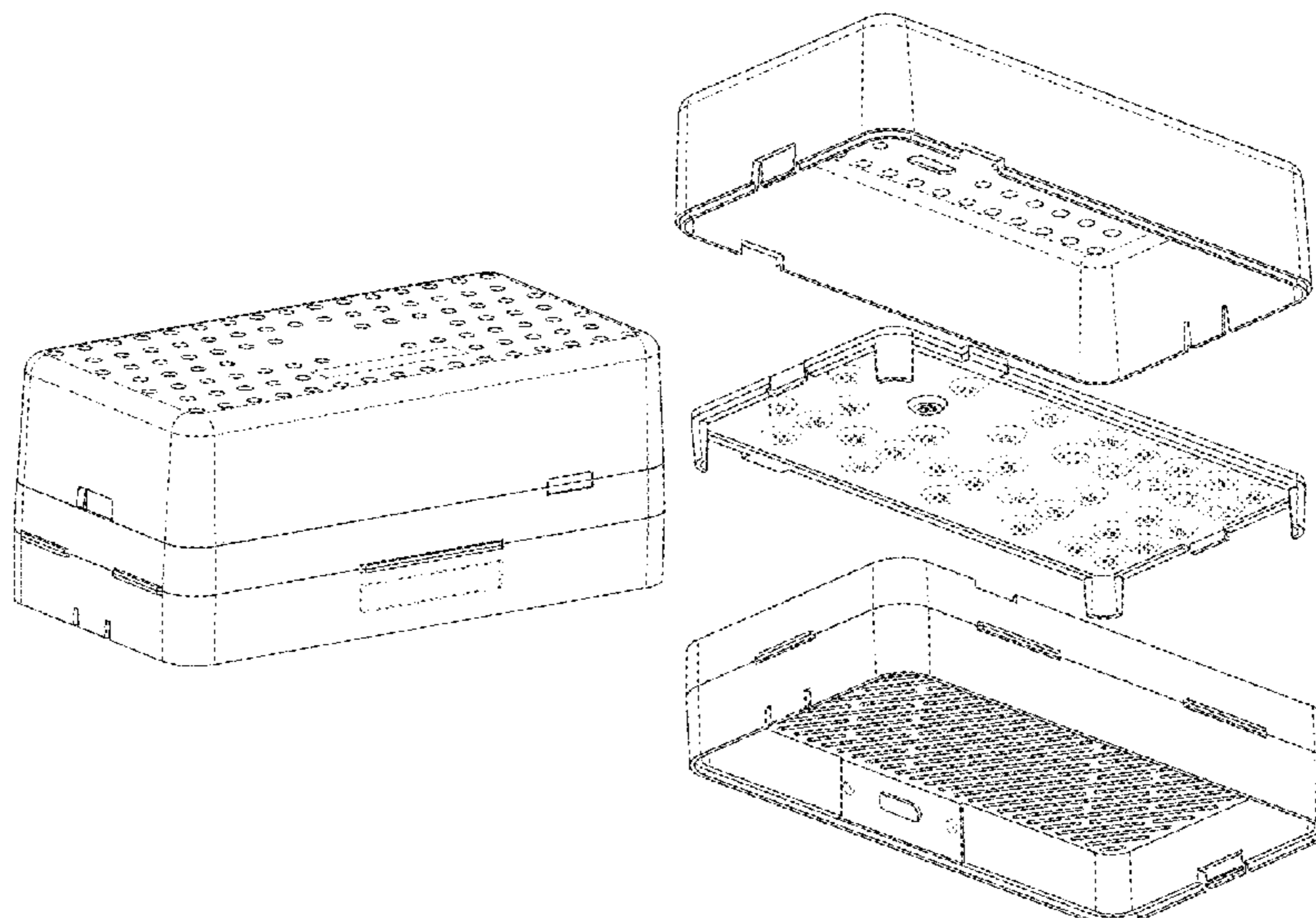
(57) **CLAIM**

The ornamental design for a cassette with insert tray for surgical tools, as shown and described.

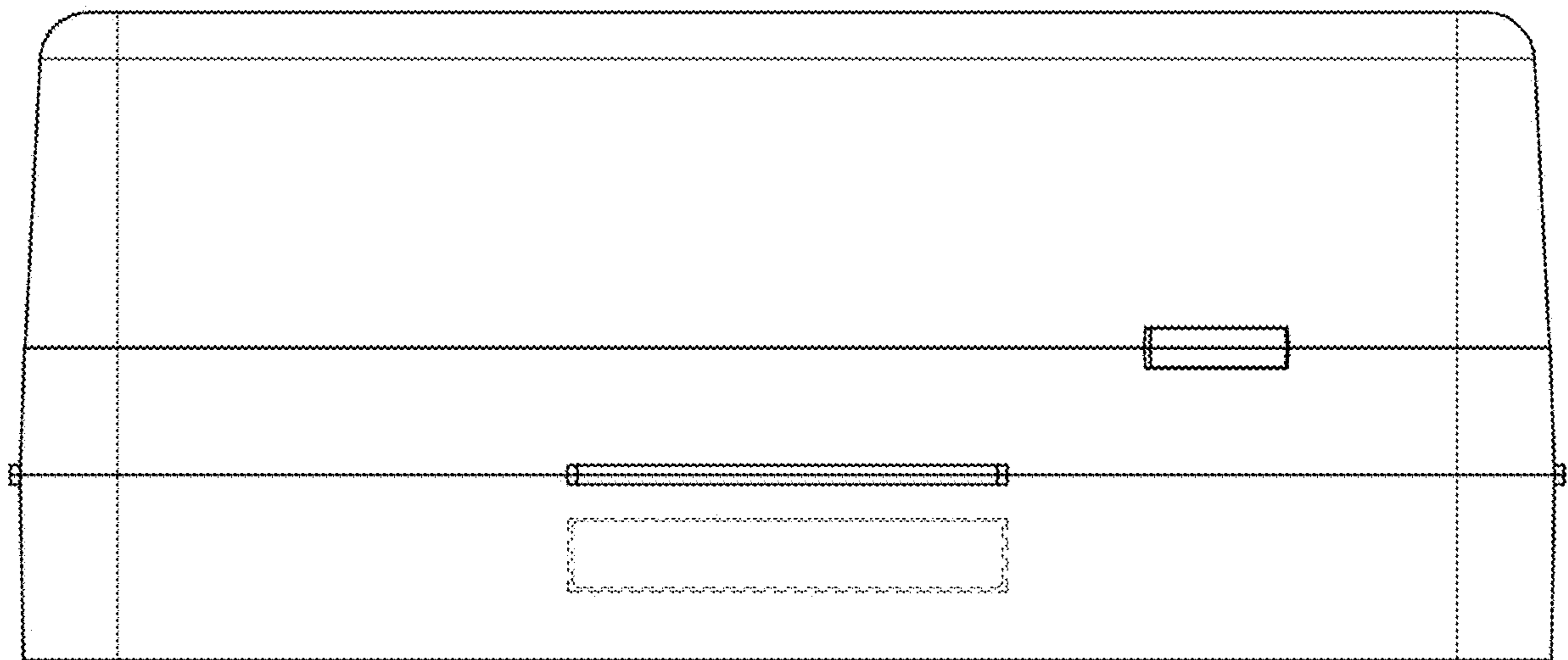
DESCRIPTION

- 1. Cassette with insert tray for surgical tools
- 1.1 : Front
- 1.2 : Top
- 1.3 : Left
- 1.4 : Right
- 1.5 : Bottom
- 1.6 : Back
- 1.7 : Top perspective view
- 1.8 : Bottom perspective view
- 1.9 : Top perspective exploded view
- 1.10 : Bottom perspective exploded view

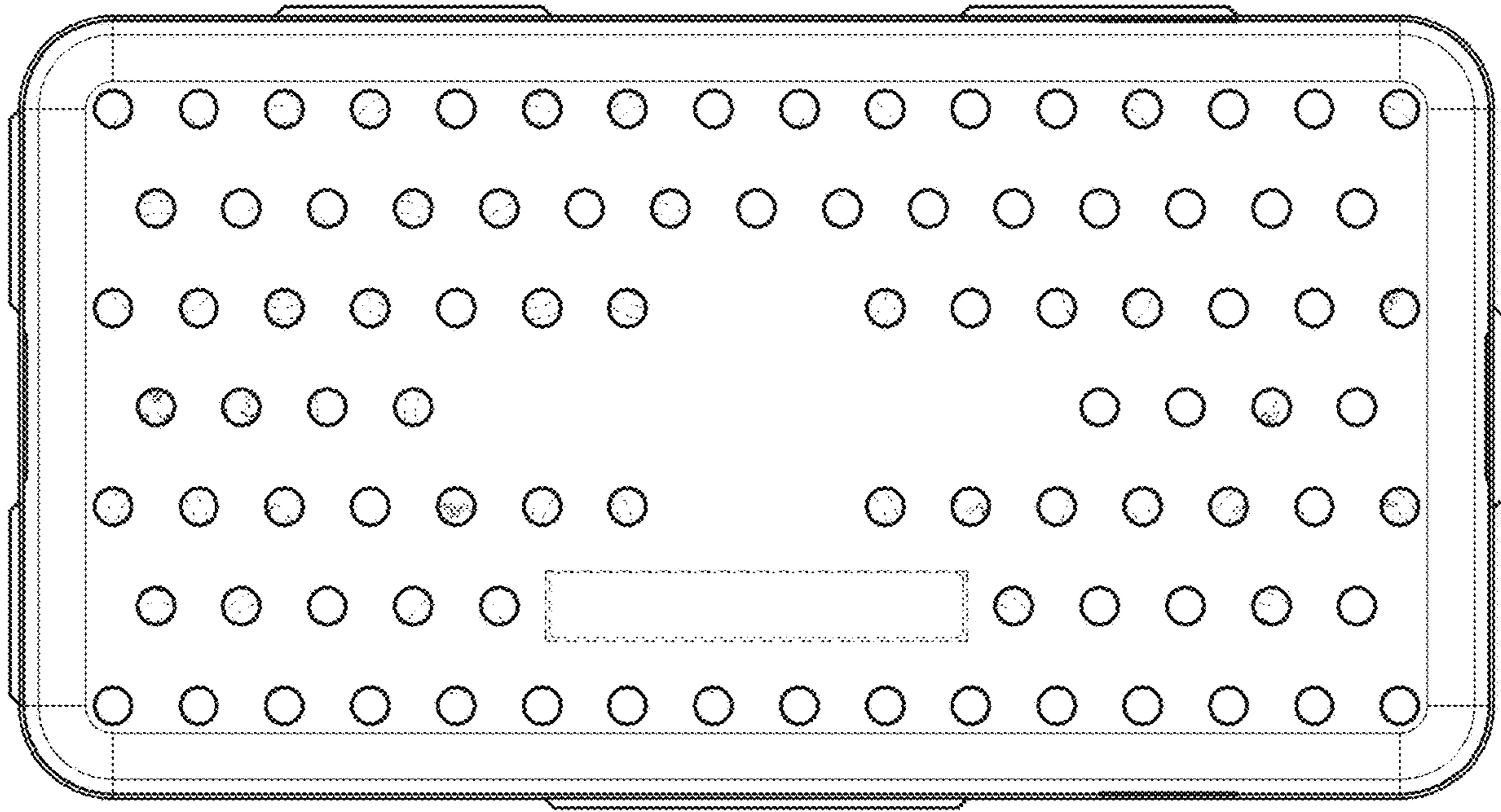
1 Claim, 10 Drawing Sheets



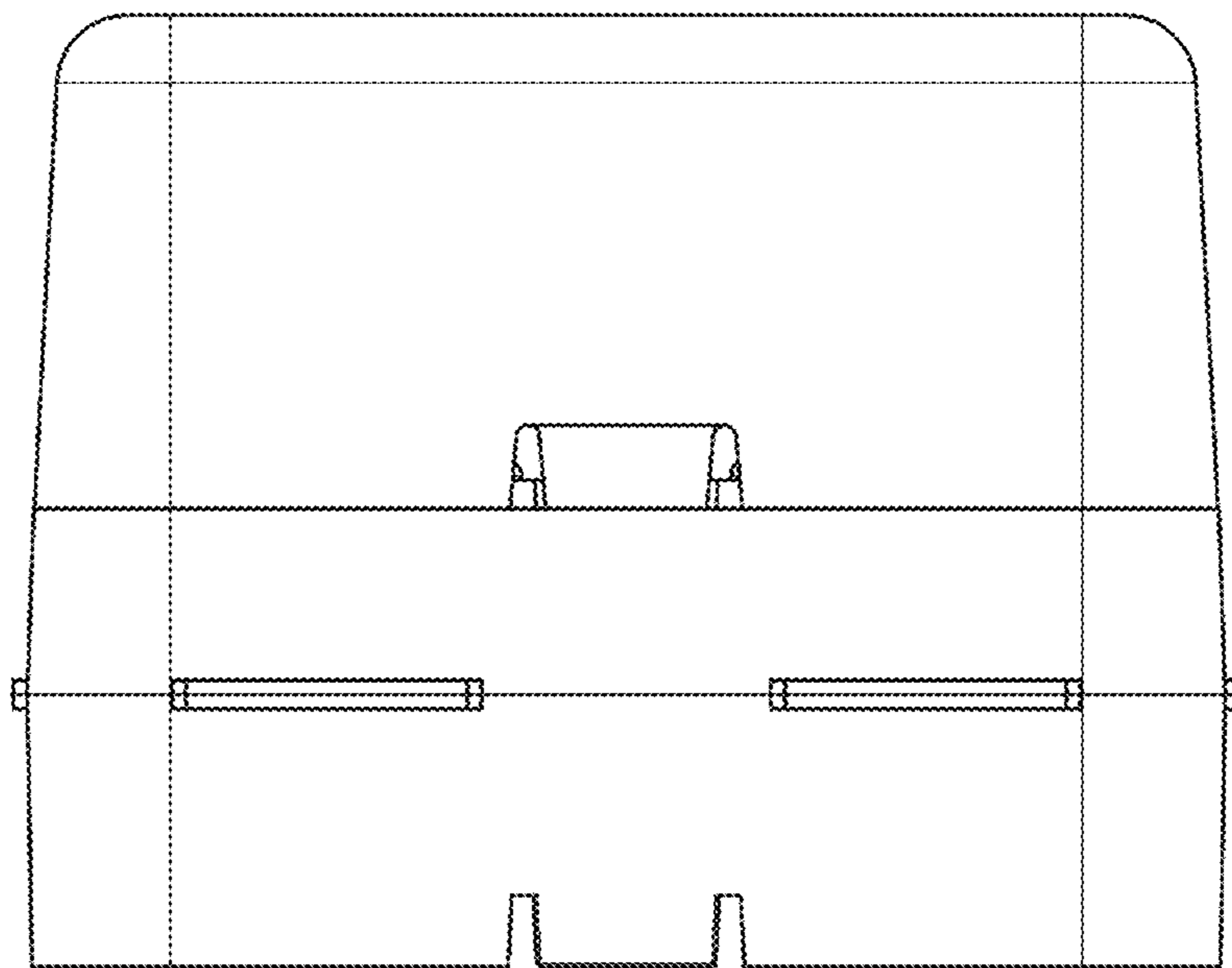
1.1



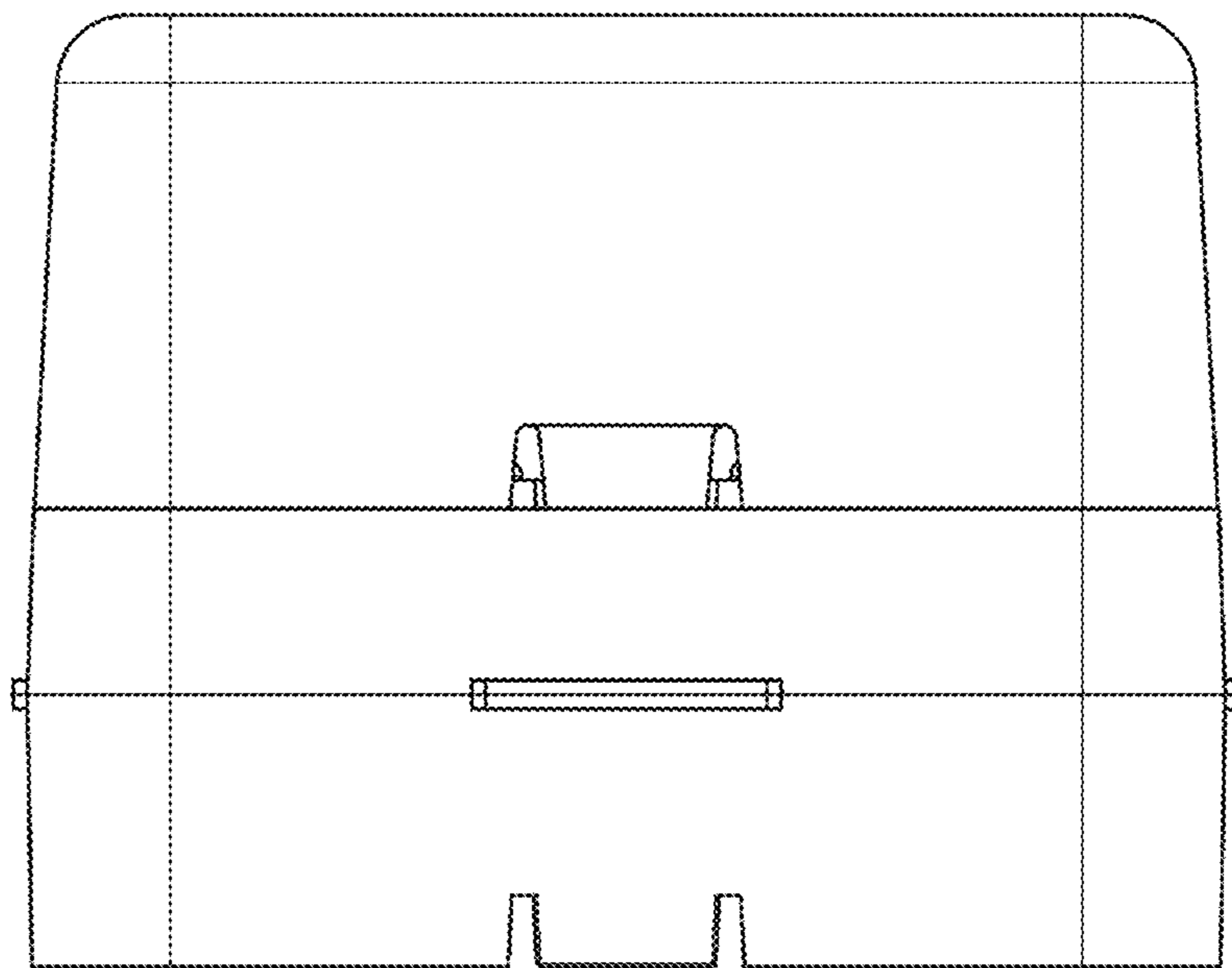
1.2



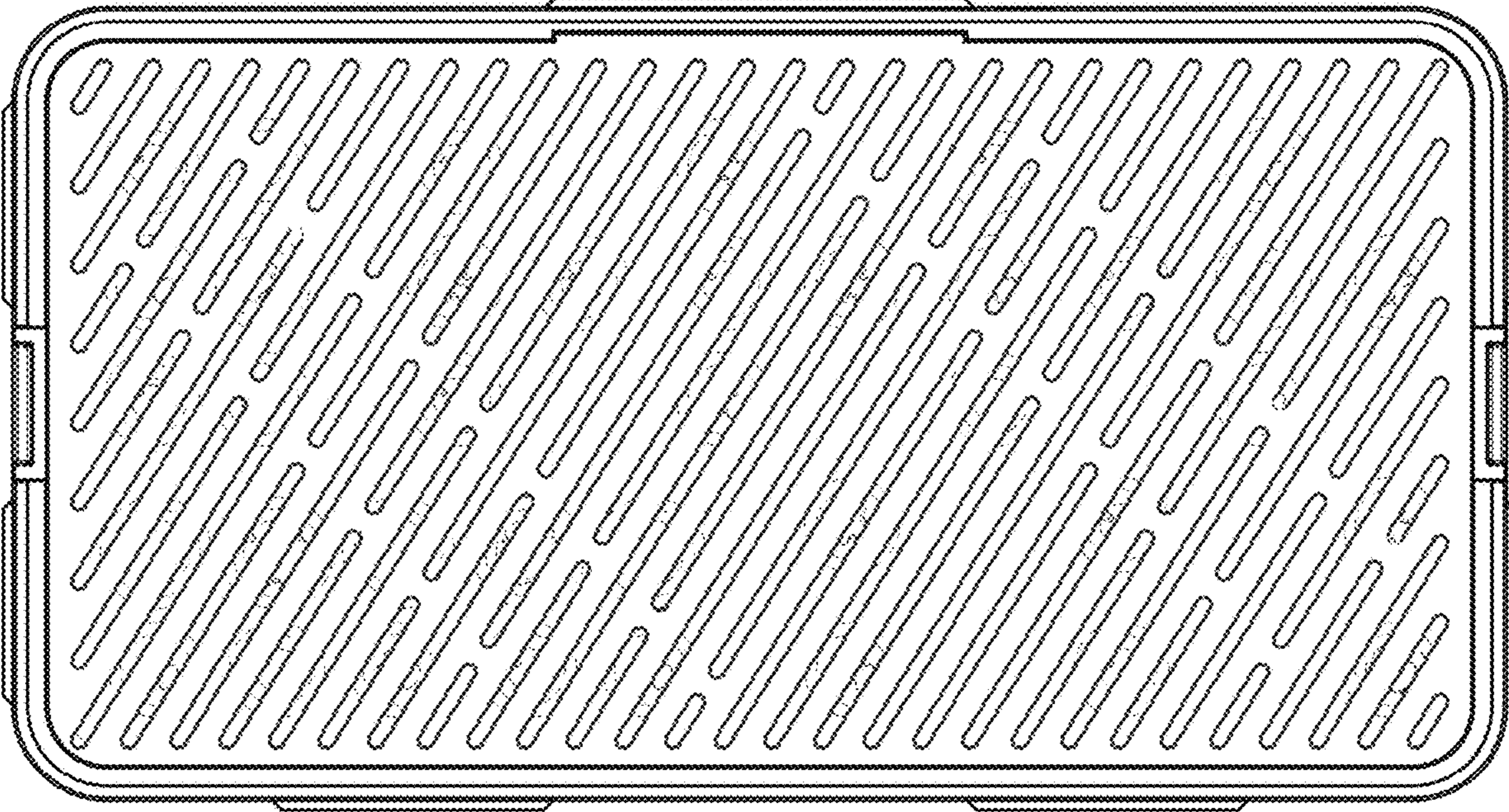
1.3



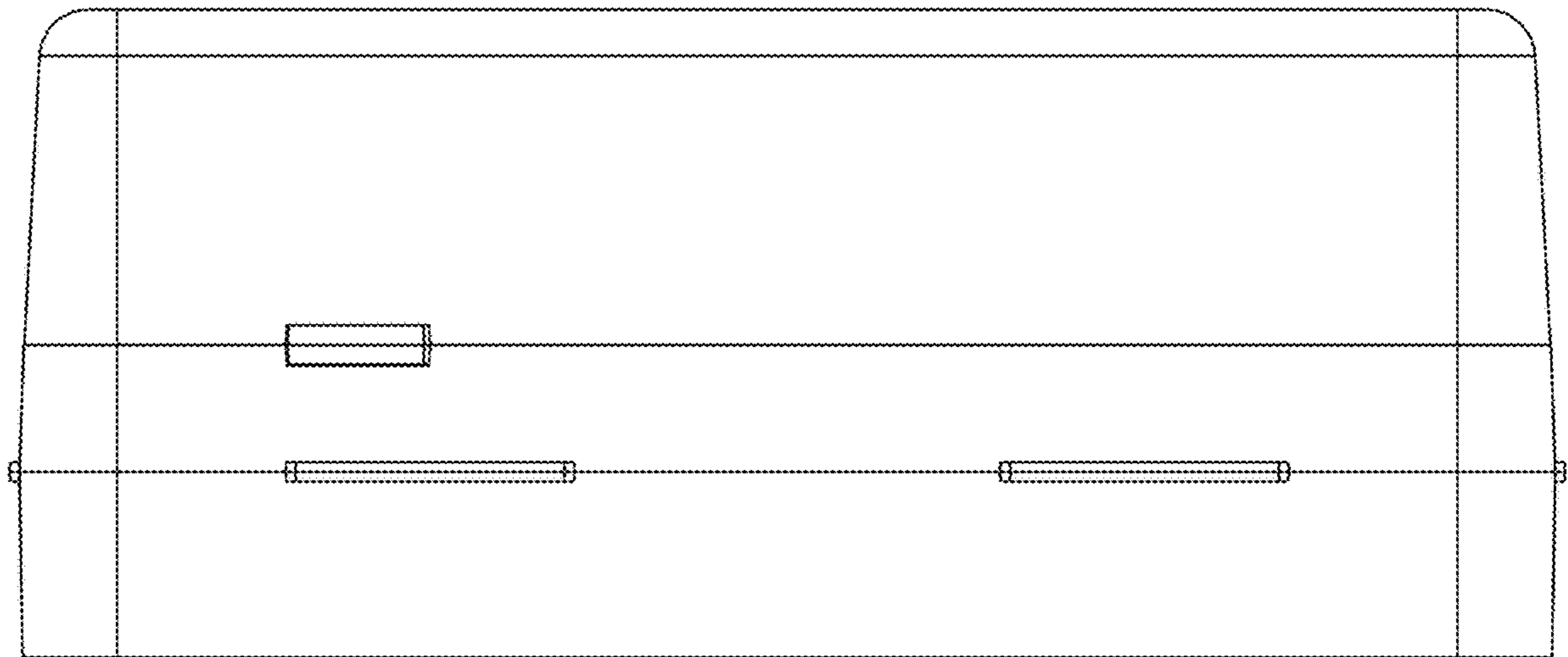
1.4



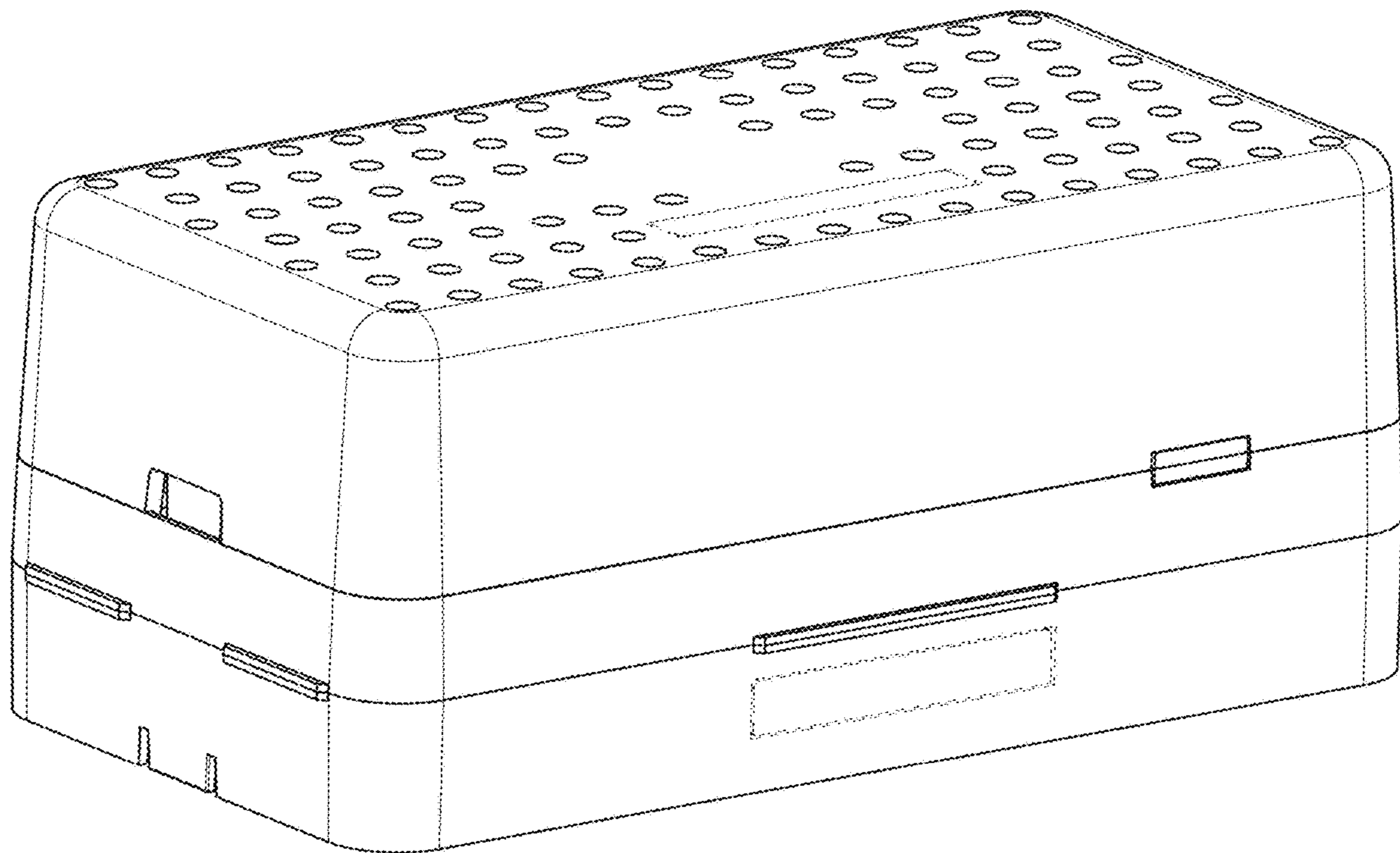
1.5



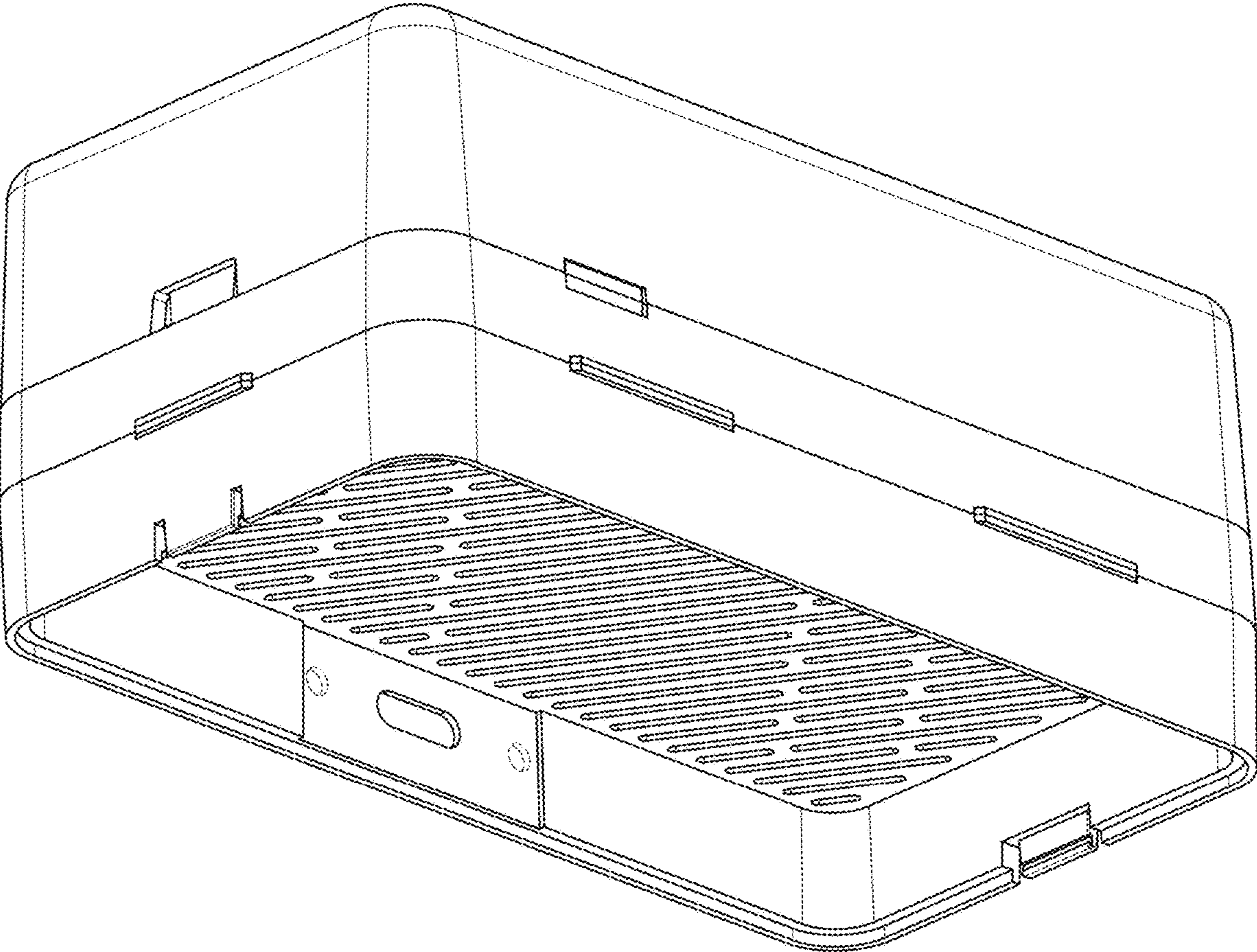
1.6



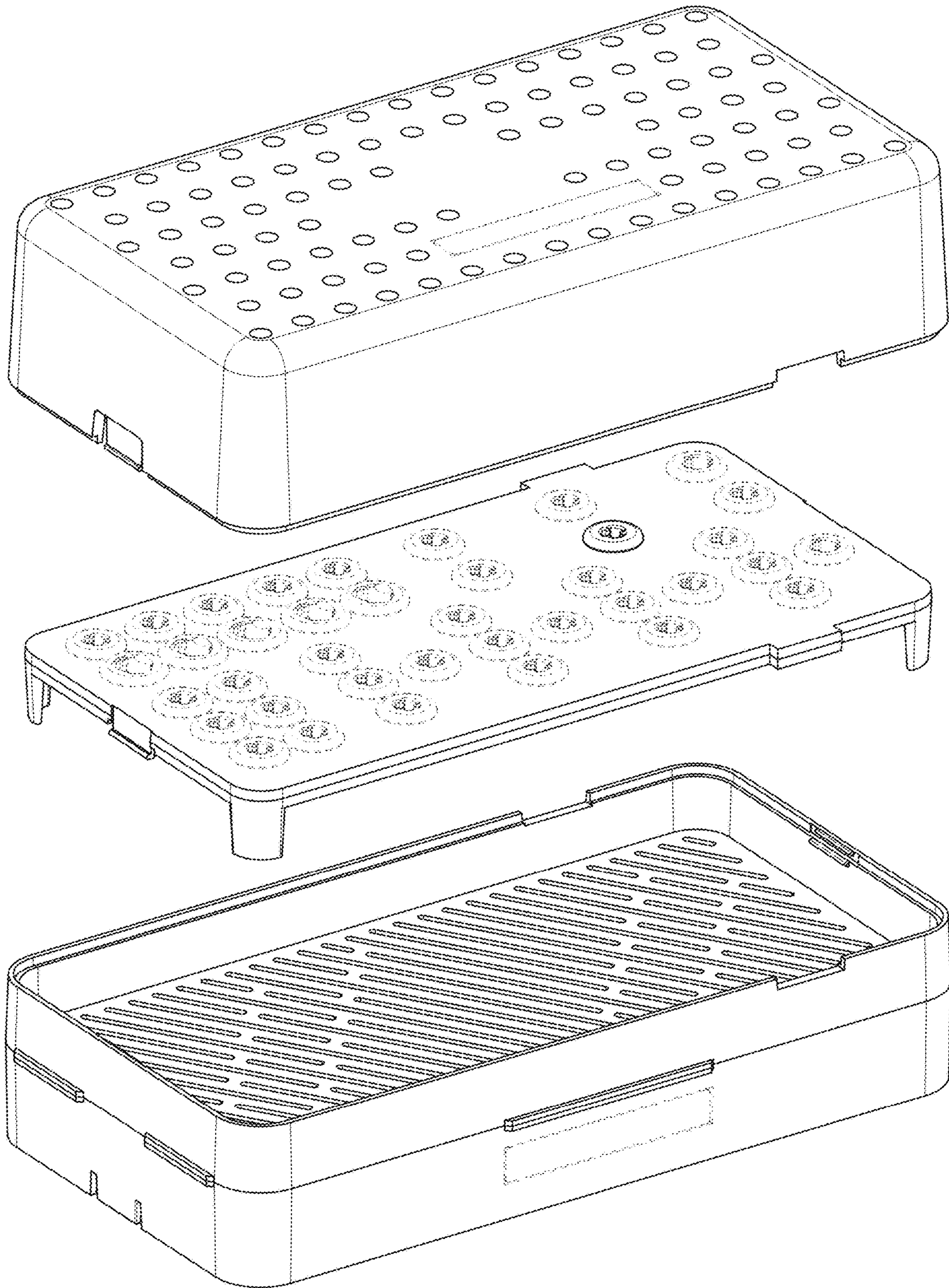
1.7



1.8



1.9



1.10

