



US00D950100S

(12) **United States Design Patent** (10) **Patent No.:** **US D950,100 S**
Ramos et al. (45) **Date of Patent:** **** Apr. 26, 2022**

(54) **STANDING SANITIZING DEVICE**
(71) Applicant: **X-VIRUS LLC**, Las Vegas, NV (US)
(72) Inventors: **Carlos Ramos**, Bonita, CA (US);
Martin Simon, Woodland Hills, CA
(US); **Fernando Flores**, Benito Juarez
(MX)
(73) Assignee: **X-VIRUS LLC**, Las Vegas, NV (US)
(**) Term: **15 Years**
(21) Appl. No.: **29/747,241**
(22) Filed: **Aug. 20, 2020**
(51) **LOC (13) Cl.** **24-01**
(52) **U.S. Cl.**
USPC **D24/217**
(58) **Field of Classification Search**
USPC D24/107, 186, 200, 209-213, 217-219,
D24/224-232; D32/1, 25; D23/366
CPC ... A61L 2/26; A61L 2/10; A61L 2/025; A61L
2202/10; A61L 2202/11; A61L 2202/23;
A61L 2202/122
See application file for complete search history.

(56) **References Cited**
U.S. PATENT DOCUMENTS
7,863,589 B1 * 1/2011 Cooper A61L 2/10
250/504 R
D727,517 S * 4/2015 Moorehead D24/211
D787,084 S * 5/2017 Sarchese D24/217
D904,411 S * 12/2020 Zhang D14/433
D908,239 S * 1/2021 Ou Yang D24/217

D914,232 S * 3/2021 Poulsen D24/217
D917,064 S * 4/2021 Ribeiro D24/217
D922,604 S * 6/2021 Oh D24/217
D922,606 S * 6/2021 Oh D24/217
D927,005 S * 8/2021 Hauser-Raspe D24/200
D933,846 S * 10/2021 Dang D24/217
D935,008 S * 11/2021 Oura D23/366
2021/0077242 A1 * 3/2021 Agarwal A61B 50/00

OTHER PUBLICATIONS

SkinDfense Mist Smart Surface & Smartphone Sanitizing Spray Machine, posted at pricepulse.com, no posting date, retrieved Dec. 2, 2021, online, URL: https://www.pricepulse.app/skindfense-mist-smart-surface-smartphone-sanitizin_us_13337926 (Year: 2021).*

* cited by examiner

Primary Examiner — Mary Shannon Malley
(74) *Attorney, Agent, or Firm* — Martin & Ferraro, LLP

(57) **CLAIM**

The ornamental design for a standing sanitizing device, as shown and described.

DESCRIPTION

FIG. 1 is a front, top and right perspective view of a standing sanitizing device, showing our new design; FIG. 2 is a front elevation view thereof; FIG. 3 is a rear elevation view thereof; FIG. 4 is a right side elevation view thereof; FIG. 5 is a left side elevation view thereof; FIG. 6 is a top plan view thereof; and, FIG. 7 is a bottom plan view thereof. The broken lines depict portions of the standing sanitizing device that form no part of the claimed design.

1 Claim, 4 Drawing Sheets

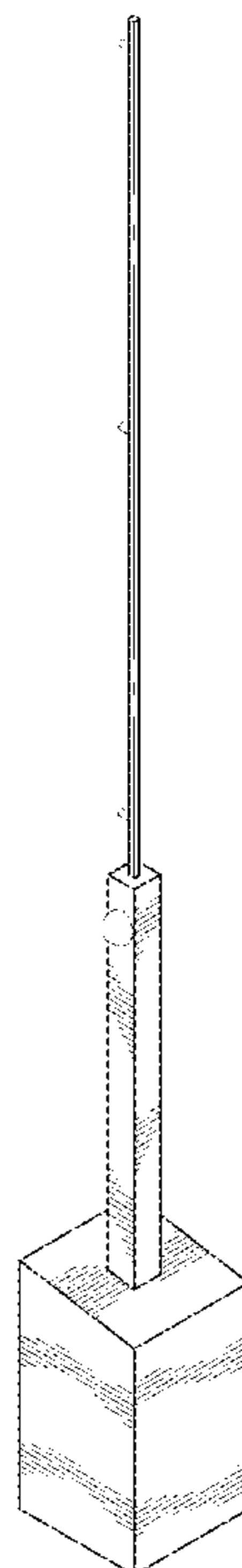


FIG. 1

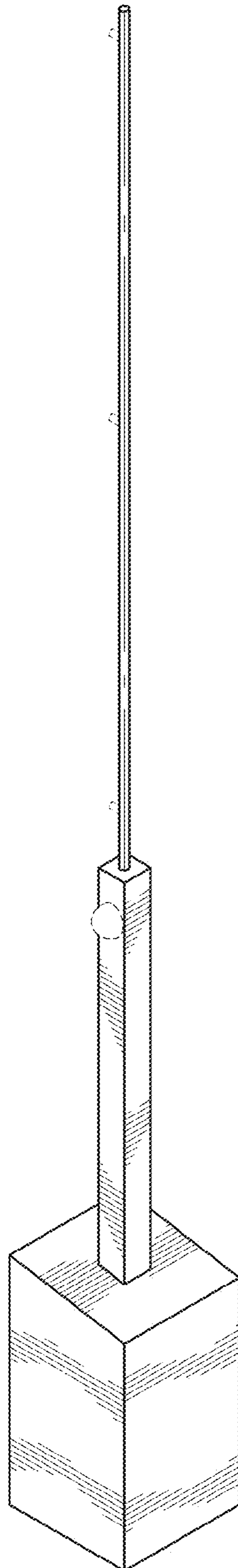


FIG. 2

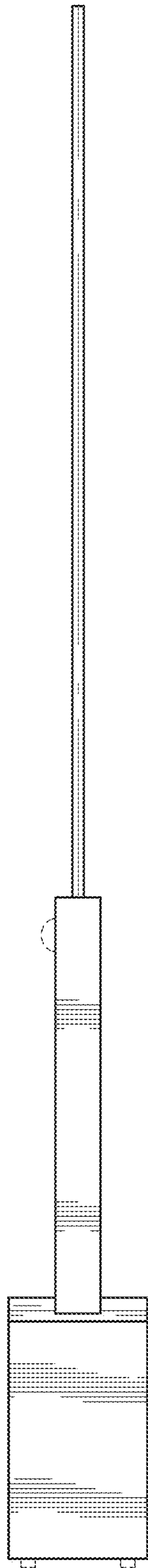
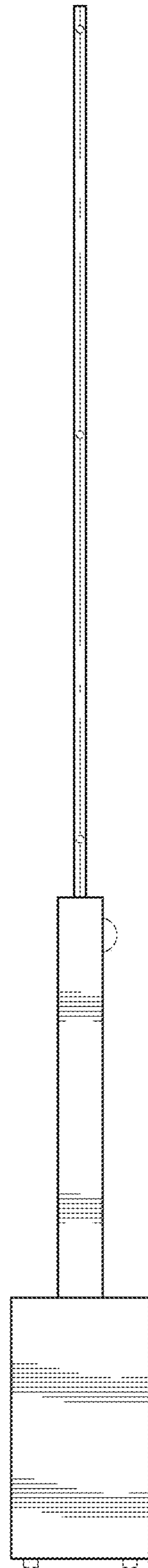


FIG. 3



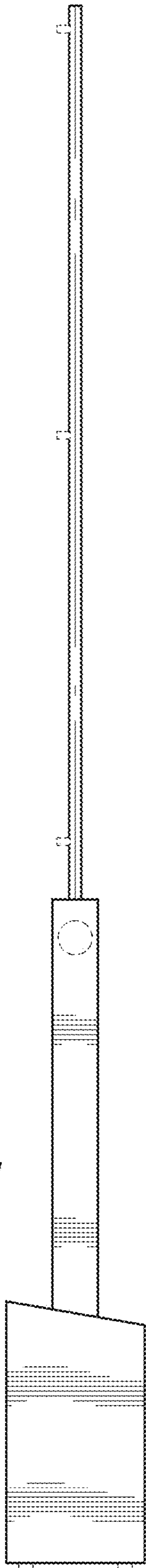


FIG. 4

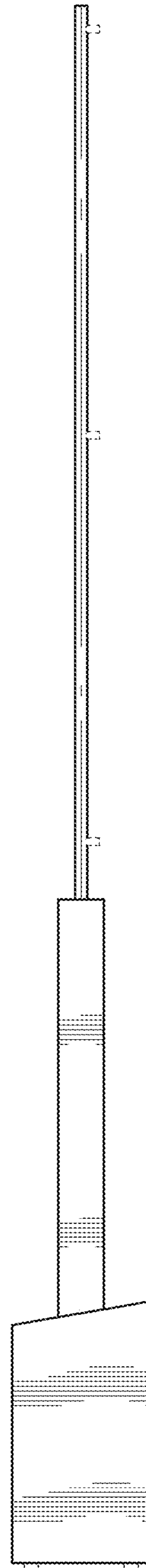


FIG. 5

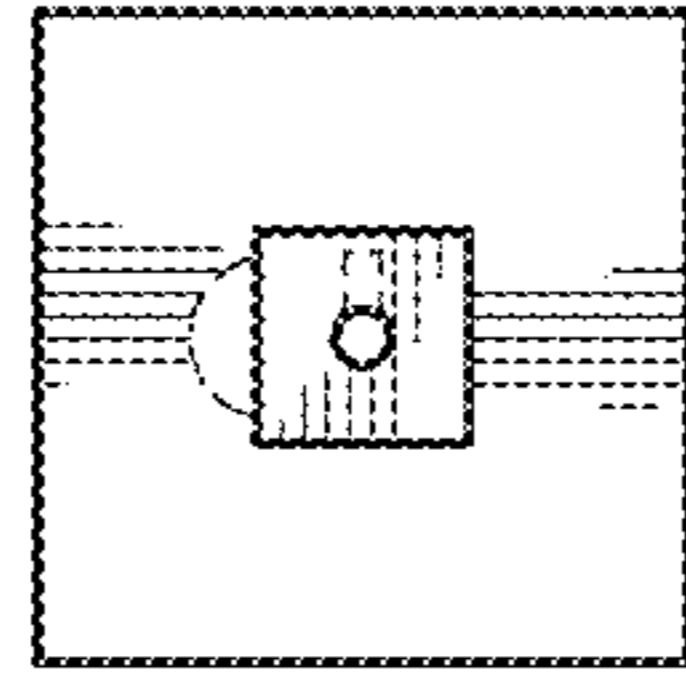


FIG. 6

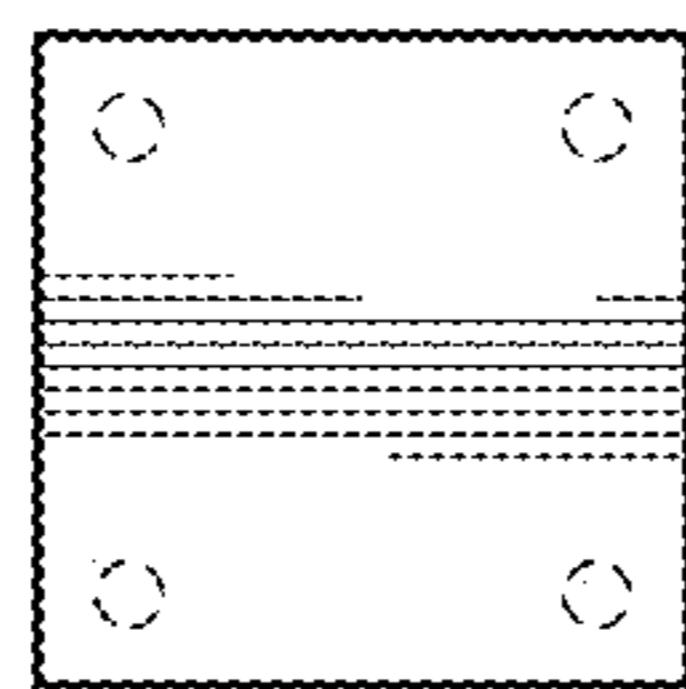


FIG. 7