



US00D950098S

(12) **United States Design Patent** (10) **Patent No.:** **US D950,098 S**
Burkard et al. (45) **Date of Patent:** **** Apr. 26, 2022**

(54) **ADULT TOY** 2,734,266 A * 2/1956 Schreyer B26B 19/3853
30/43.2
(71) Applicant: **EIS GmbH**, Bielefeld (DE) D179,191 S * 11/1956 Ernest D28/51
D179,245 S * 11/1956 Ernest D28/51
(72) Inventors: **Mariana Rosa Yzusqui Burkard**, D392,412 S * 3/1998 Kip D28/10
Hamburg (DE); **Alex Dumler**, Hamburg D818,198 S * 5/2018 Szymanski D28/51
(DE); **Paul Fally**, Hamburg (DE); D829,335 S * 9/2018 Park D24/215
Alexander Anderton, Hamburg (DE) D882,815 S * 4/2020 Dumler D24/215
D883,509 S * 5/2020 Dumler D24/215
D884,916 S * 5/2020 Dumler D24/215
(73) Assignee: **EIS GmbH**, Bielefeld (DE) D893,102 S * 8/2020 Jiang B26B 19/3853
D28/49
(**) Term: **15 Years** D907,791 S * 1/2021 Ackermann D24/215
D914,227 S * 3/2021 Sedic D24/215

(21) Appl. No.: **35/509,657**

(22) Filed: **Oct. 28, 2019**

(80) **Hague Agreement Data**

Int. Filing Date: **Oct. 28, 2019**
Int. Reg. No.: **DM/208643**
Int. Reg. Date: **Oct. 28, 2019**
Int. Reg. Pub. Date: **Jun. 19, 2020**

(51) **LOC (13) Cl.** **28-03**

(52) **U.S. Cl.**
USPC **D24/215**

(58) **Field of Classification Search**
USPC D24/133, 188, 200, 211–215; D28/91.1,
D28/49, 51, 50, 53; D9/723, 726, 727;
D4/100
CPC A61H 2201/0153; A61H 7/007; A61H
15/0085; A61H 2015/0014; A61H 7/005;
A61B 17/1325; A61F 7/00
See application file for complete search history.

(56) **References Cited**

U.S. PATENT DOCUMENTS

D128,032 S * 7/1941 Holsclaw D28/49
D176,406 S * 12/1955 Ernest et al. D28/51

* cited by examiner

Primary Examiner — Calvin E Vansant

(74) *Attorney, Agent, or Firm* — Muetting Raasch Group

(57) **CLAIM**

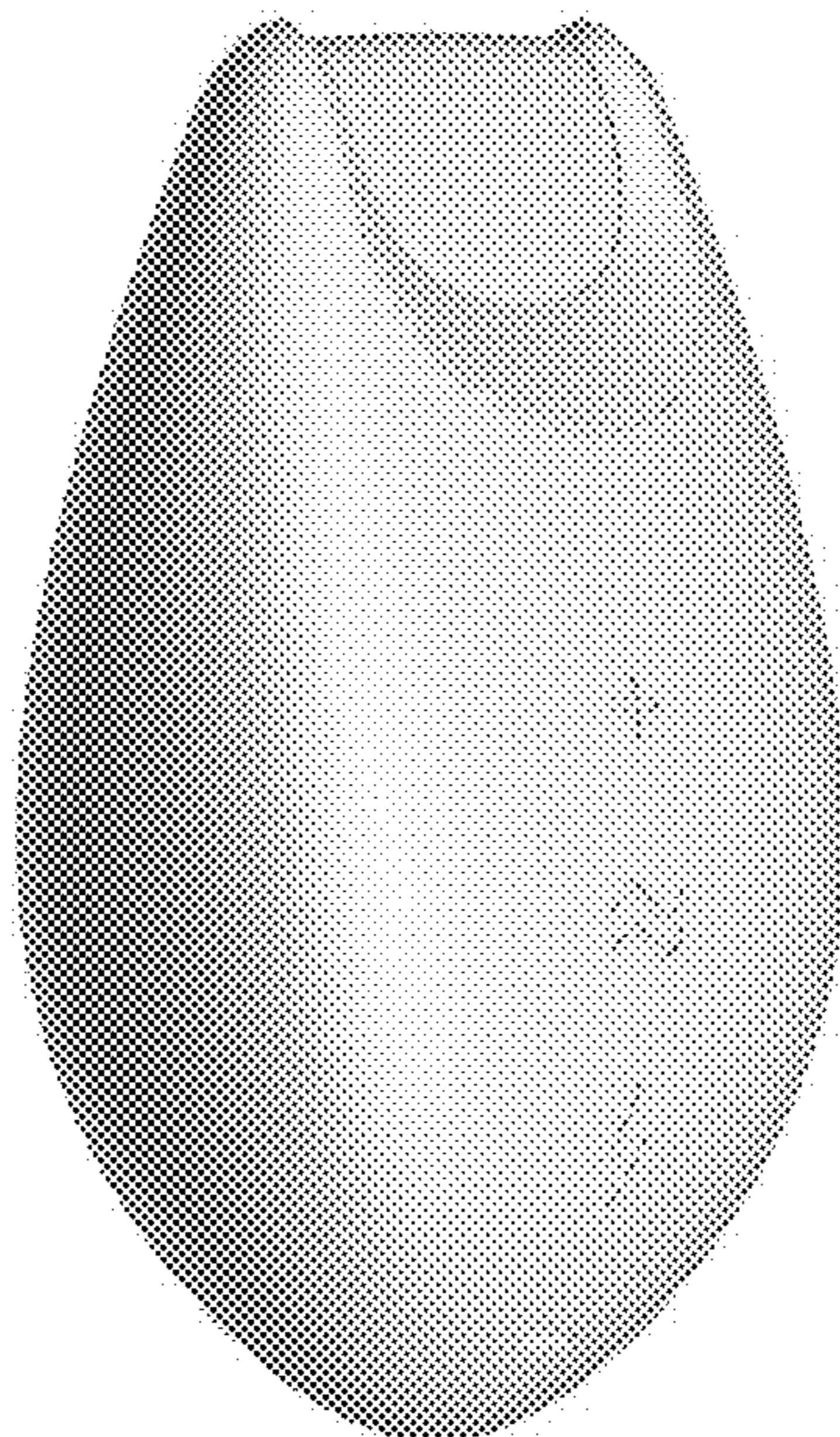
The ornamental design for an adult toy, as shown and described.

DESCRIPTION

The patent or application file contains at least one drawing executed in color. Copies of this patent or patent application publication with color drawing(s) will be provided by the Office upon request and payment of the necessary fee.

- 10. Adult toy
- 10.1 : Front
- 10.2 : Side
- 10.3 : Back
- 10.4 : Top
- 10.5 : Bottom
- 10.6 : Perspective
- 10.7 : Perspective

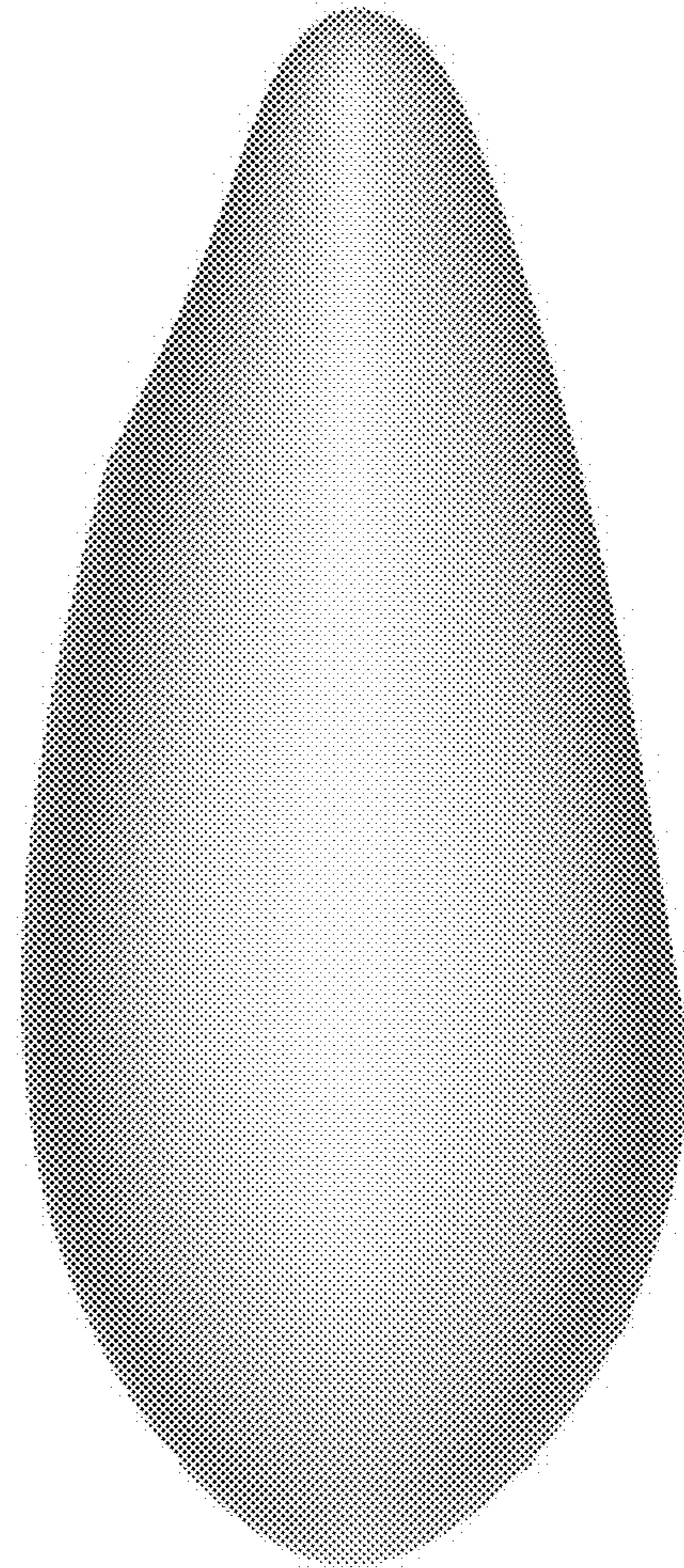
1 Claim, 7 Drawing Sheets
(7 of 7 Drawing Sheet(s) Filed in Color)



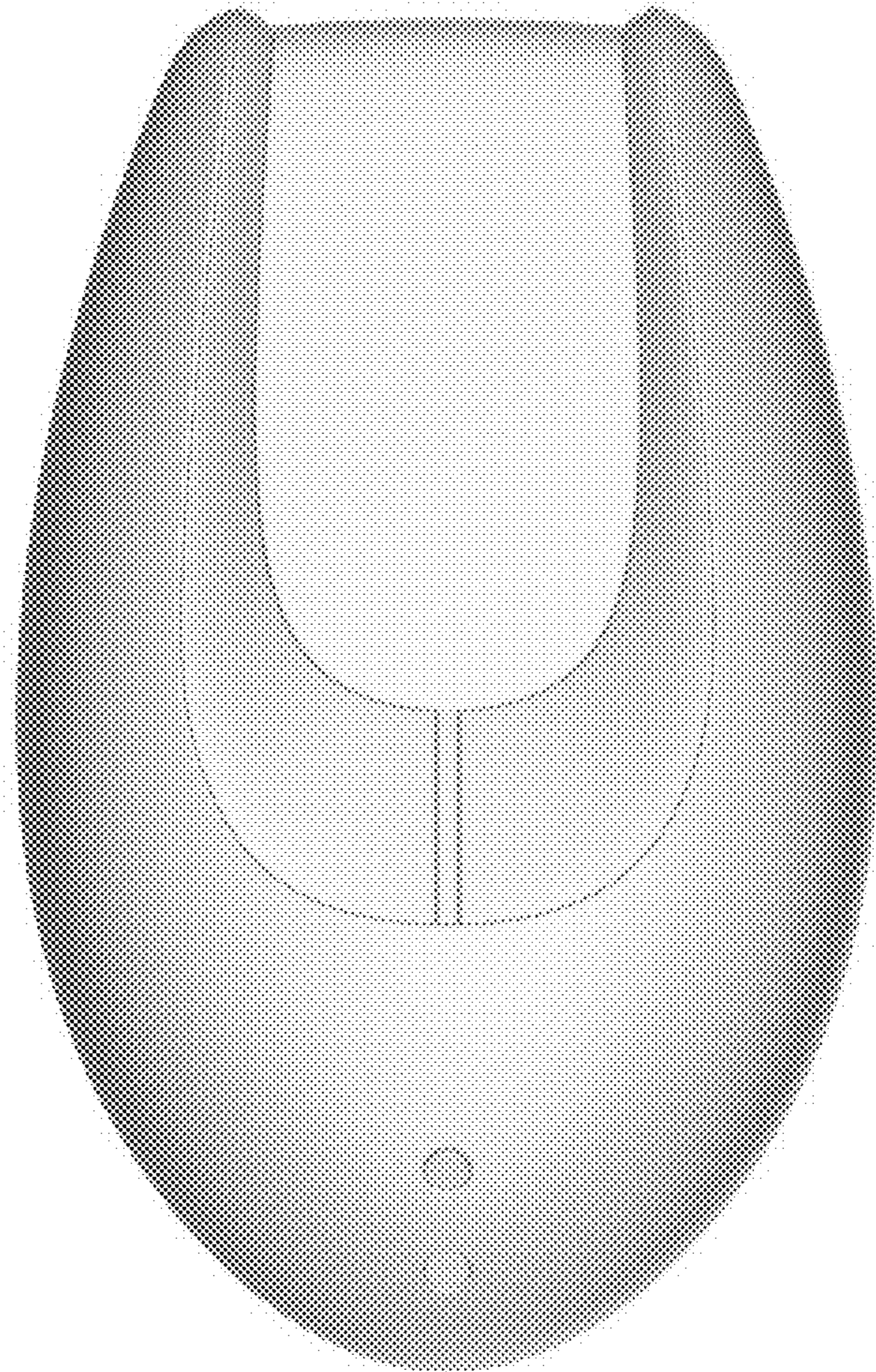
10.1



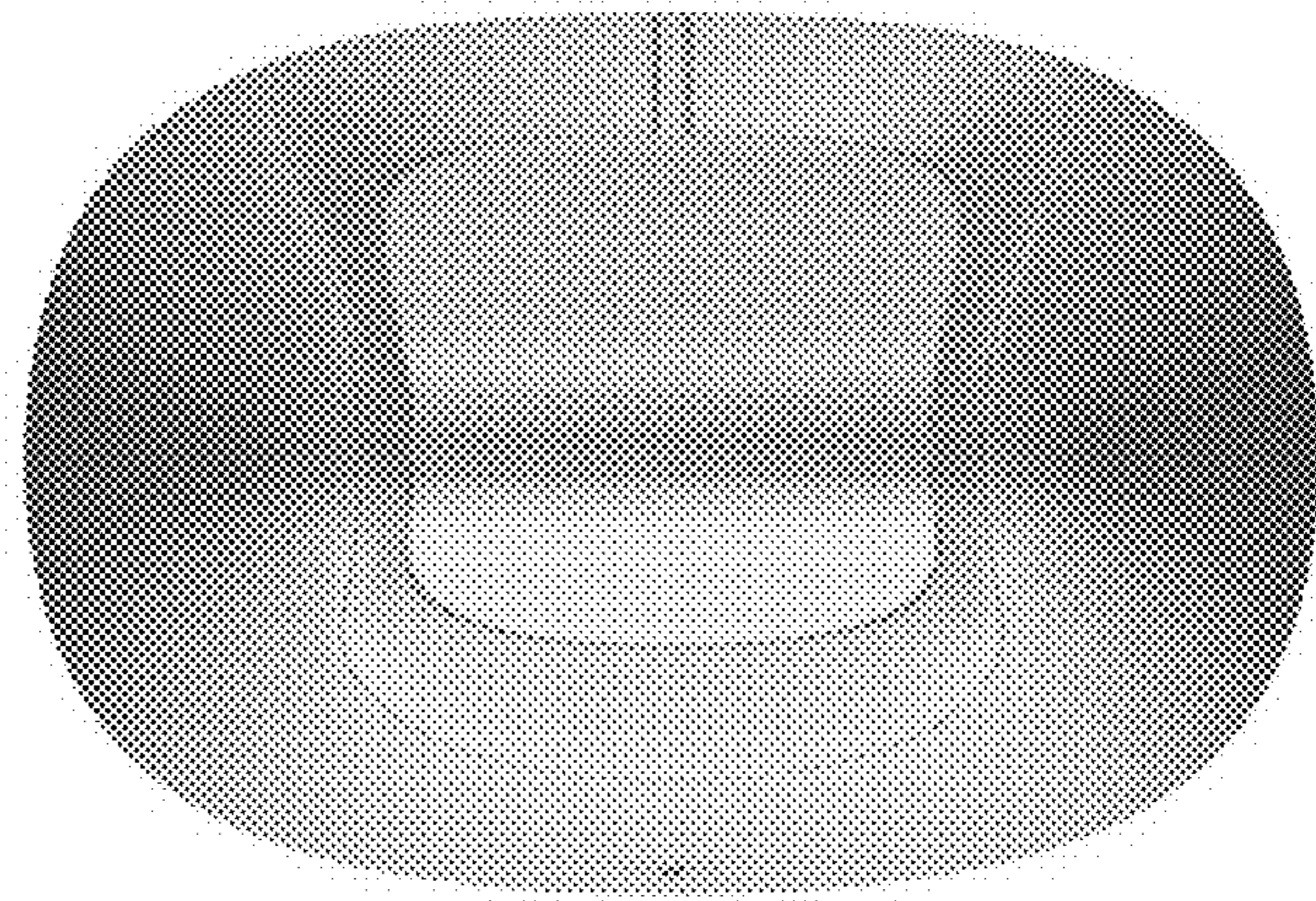
10.2



10.3



10.4



10.5



10.6



10.7

