



US00D950094S

(12) **United States Design Patent**
Dumler et al.

(10) **Patent No.:** **US D950,094 S**
(45) **Date of Patent:** **** Apr. 26, 2022**

- (54) **ADULT TOY**
- (71) Applicant: **EIS GmbH**, Bielefeld (DE)
- (72) Inventors: **Alex Dumler**, Hamburg (DE); **Mariana Rosa Yzusqui Burkard**, Hamburg (DE); **Alexander Anderton**, Hamburg (DE); **Paul Fally**, Hamburg (DE)
- (73) Assignee: **EIS GmbH**, Bielefeld (DE)
- (**) Term: **15 Years**
- (21) Appl. No.: **29/781,689**
- (22) Filed: **Apr. 30, 2021**

D623,294 S	9/2010	Rhoades et al.	
D666,303 S	8/2012	Ding et al.	
D706,439 S	6/2014	Hahr et al.	
D726,926 S	4/2015	Matsushita	
D735,870 S	8/2015	Ban	
D822,843 S *	7/2018	Lenke	D24/215
D835,796 S *	12/2018	Sedic	D24/215
D836,792 S *	12/2018	Fuhner	D24/215
D848,012 S *	5/2019	Fuhner	D24/215
D848,013 S *	5/2019	Fuhner	D24/215
D848,632 S *	5/2019	Fuhner	D24/215
D852,372 S *	6/2019	Fuhner	D24/215
D861,911 S *	10/2019	Fuhner	D24/215
D868,990 S *	12/2019	Tse	D24/215
D869,675 S	12/2019	Hitscherich et al.	
D870,903 S	12/2019	Weisman	

(Continued)

Related U.S. Application Data

- (62) Division of application No. 35/509,048, filed on Oct. 7, 2019 (U.S. filing date under 35 U.S.C. 384), and having an international filing date of Oct. 7, 2019, now Pat. No. Des. 927,721.
- (51) **LOC (13) Cl.** **28-03**
- (52) **U.S. Cl.**
USPC **D24/215**
- (58) **Field of Classification Search**
USPC D24/133, 188, 200, 211–215; D28/91.1; D9/723, 726, 727; D4/100; D14/417
CPC A61H 2201/0153; A61H 7/007; A61H 15/0085; A61H 2015/0014; A61H 7/005; A61H 19/32; A61F 7/00; A61B 17/1325
See application file for complete search history.

References Cited

U.S. PATENT DOCUMENTS

D358,654 S	5/1995	Smith
D382,959 S	8/1997	Arpe
D410,638 S	6/1999	Sheehan et al.
D414,582 S	9/1999	Hwang
D448,380 S	9/2001	Sheehan et al.

OTHER PUBLICATIONS

DHgate.com, Vagina Clitoral sucking vibrator, undated online product page, retrieved Aug. 19, 2021 from <URL:https://www.dhgate.com/product/vagina-clitoral-sucking-vibrator-7-speeds/512946872.html> (Year: 2021).*

(Continued)

Primary Examiner — Calvin E Vansant
(74) *Attorney, Agent, or Firm* — Muetting Raasch Group

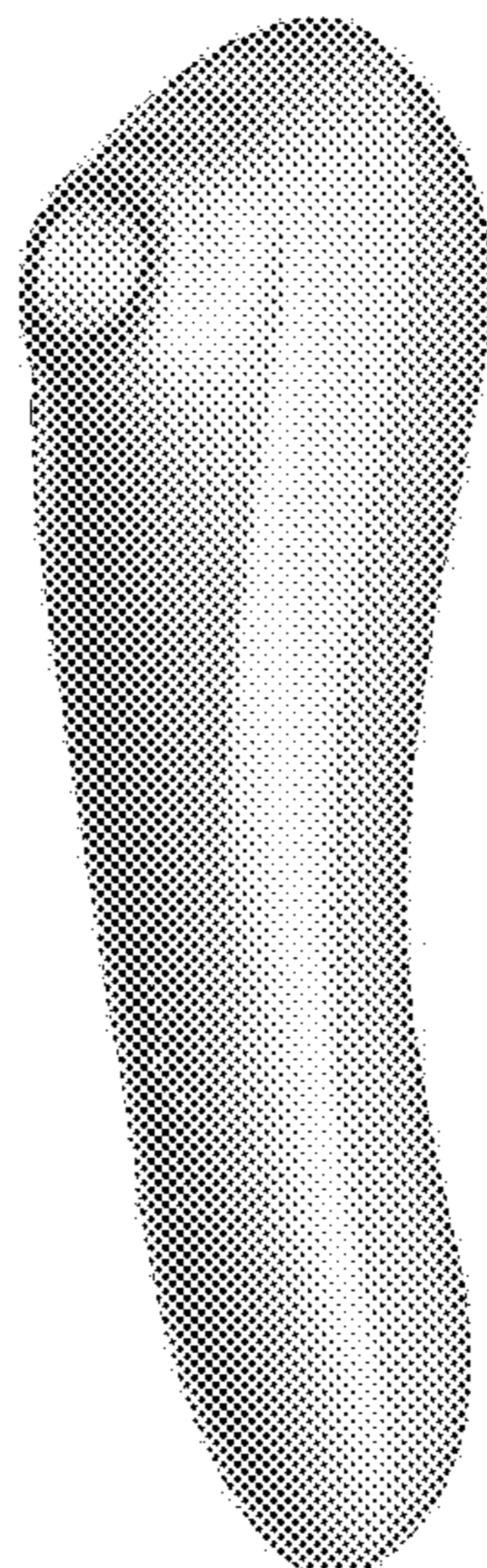
CLAIM

We claim the ornamental design for an adult toy, as shown and described.

DESCRIPTION

FIG. 1 is a front view of an adult toy;
FIG. 2 is a bottom view thereof;
FIG. 3 is a side view thereof;
FIG. 4 is a back view thereof;
FIG. 5 is a back perspective view thereof;
FIG. 6 is a front perspective view thereof; and,
FIG. 7 is a top view thereof.

1 Claim, 7 Drawing Sheets



(56)

References Cited

U.S. PATENT DOCUMENTS

D886,384 S 6/2020 Khubani et al.
D890,946 S * 7/2020 Lee D24/215
D897,552 S * 9/2020 Meissner D24/215
D915,616 S * 4/2021 Lee D24/215
D927,010 S * 8/2021 He D24/215
2020/0281808 A1 9/2020 Kirsten et al.

OTHER PUBLICATIONS

Chinavasion.com, Clitoris sucking vibrator for women adorime, undated online product page, retrieved Aug. 19, 2021 from <URL: <https://www.chinavasion.com/china/wholesale/health-bty/adult-items/vibrators/clitoris-sucking-vibrator-for-women-ado-pbe-0a9tj0u2>> (Year: 2021).*

satisfyer.com, Sexy Secret, undated online product pages, retrieved May 21, 2021 from <https://us.satisfyer.com/us/products/clit-vibrators/lay-on-vibrators/sexy-secret/>, 2021.

* cited by examiner

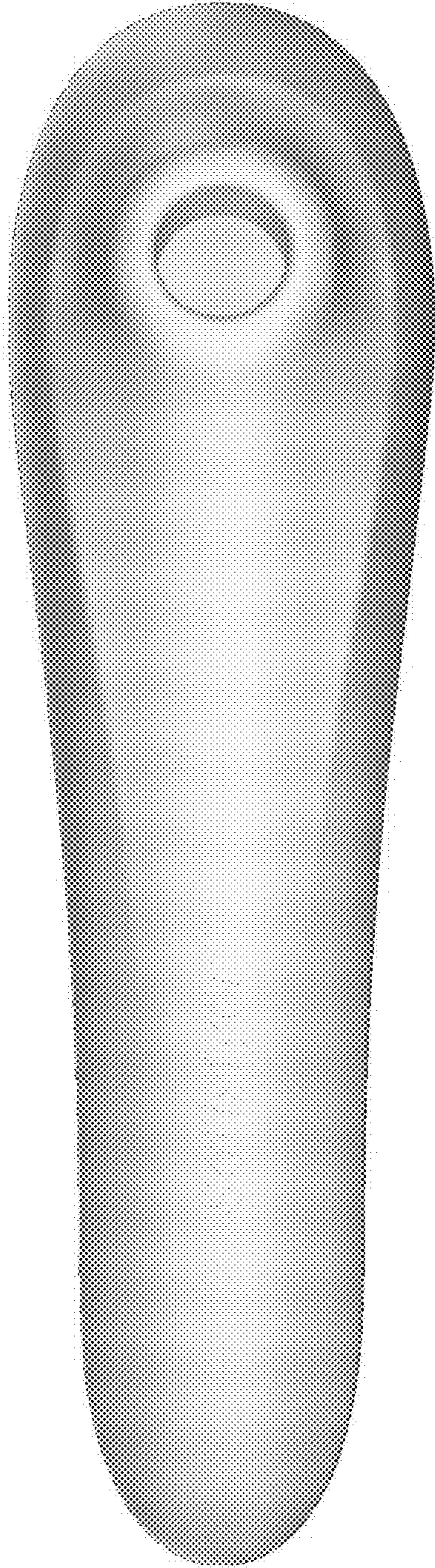


FIG. 1

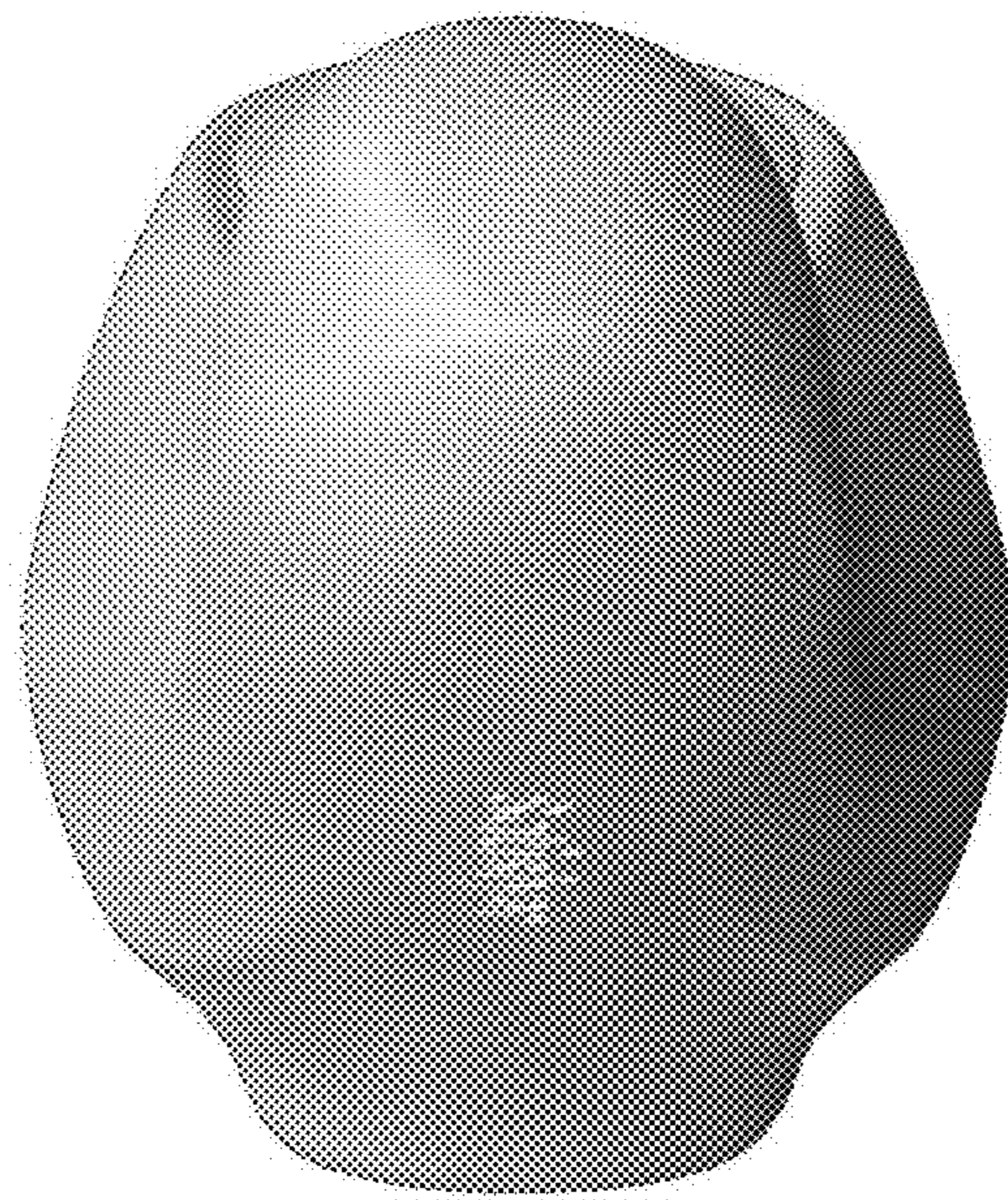


FIG. 2

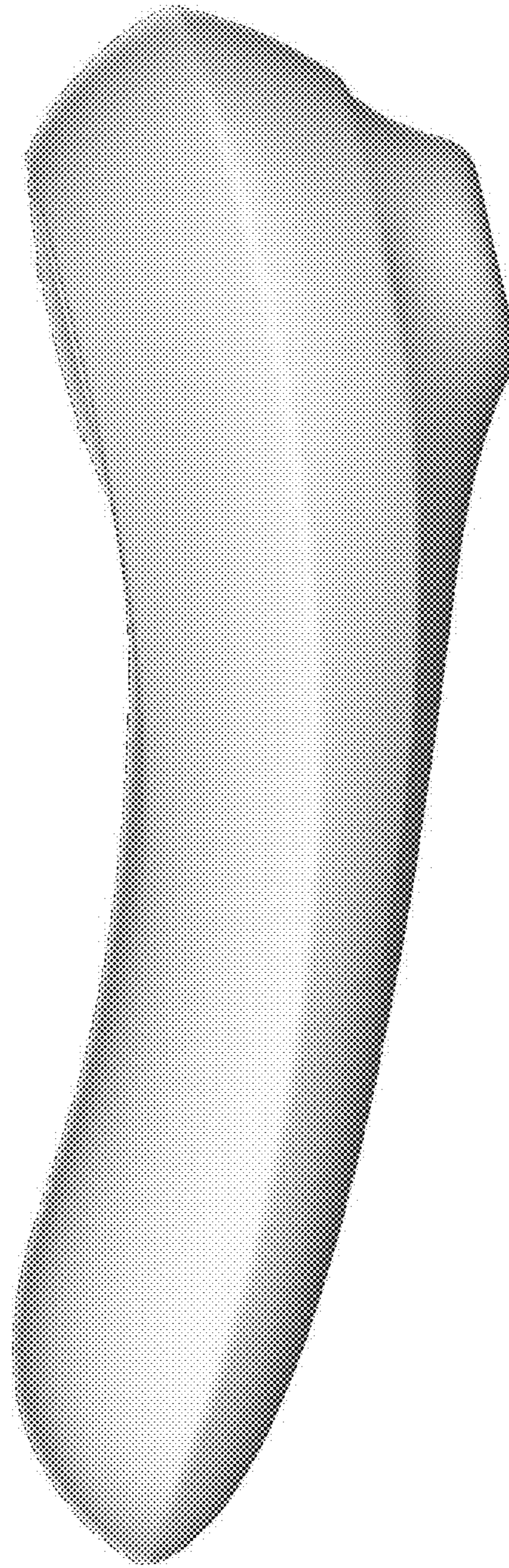


FIG. 3

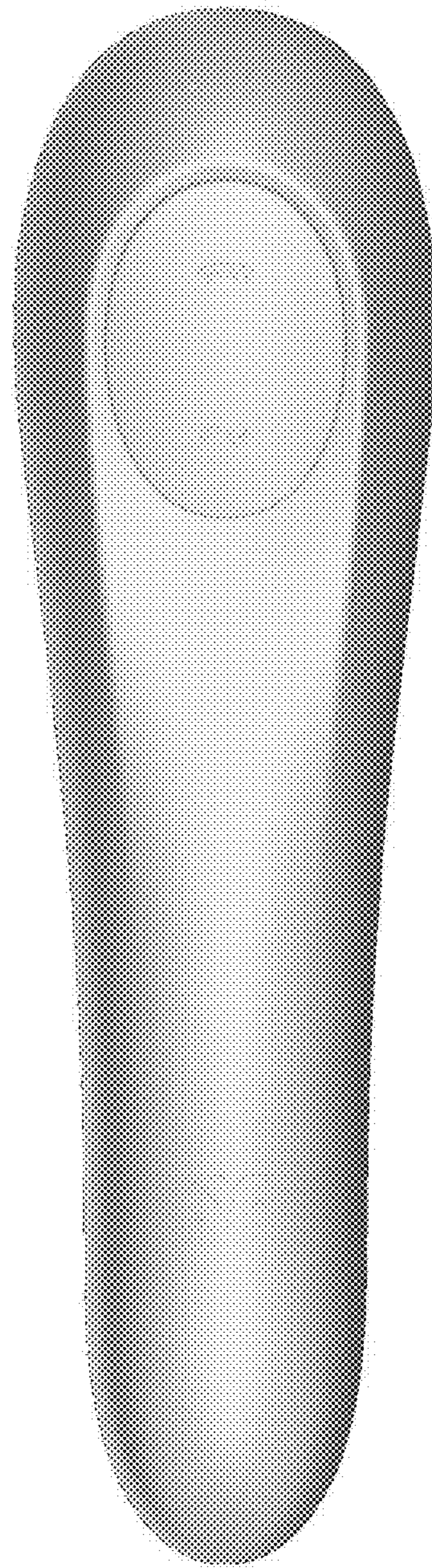


FIG. 4

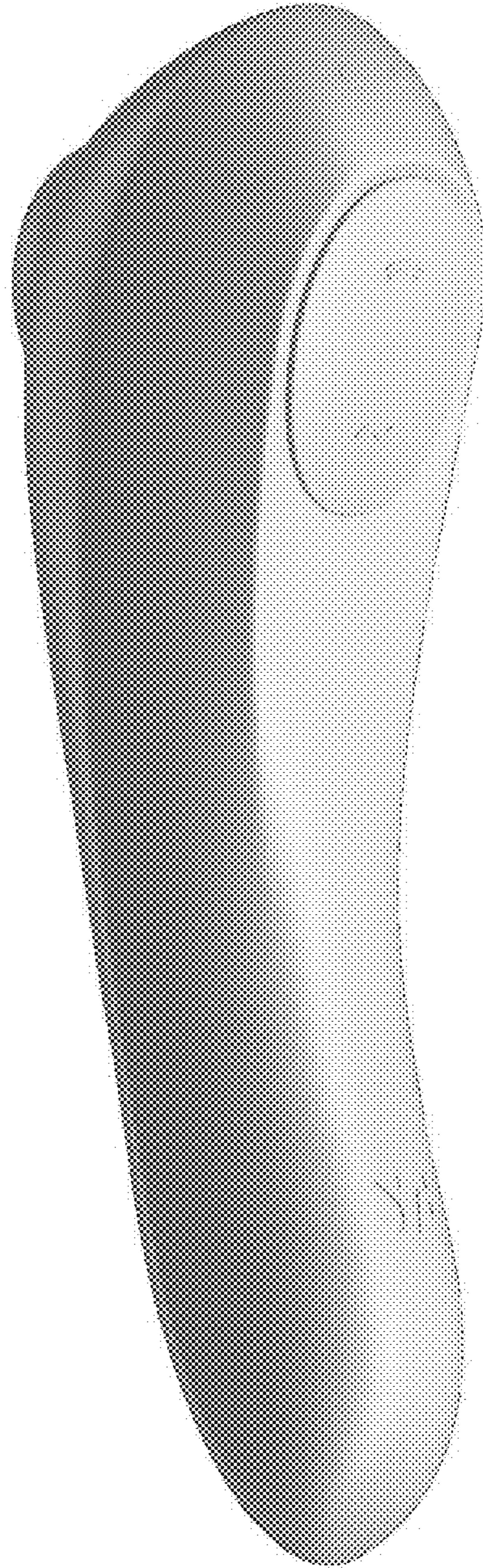


FIG. 5

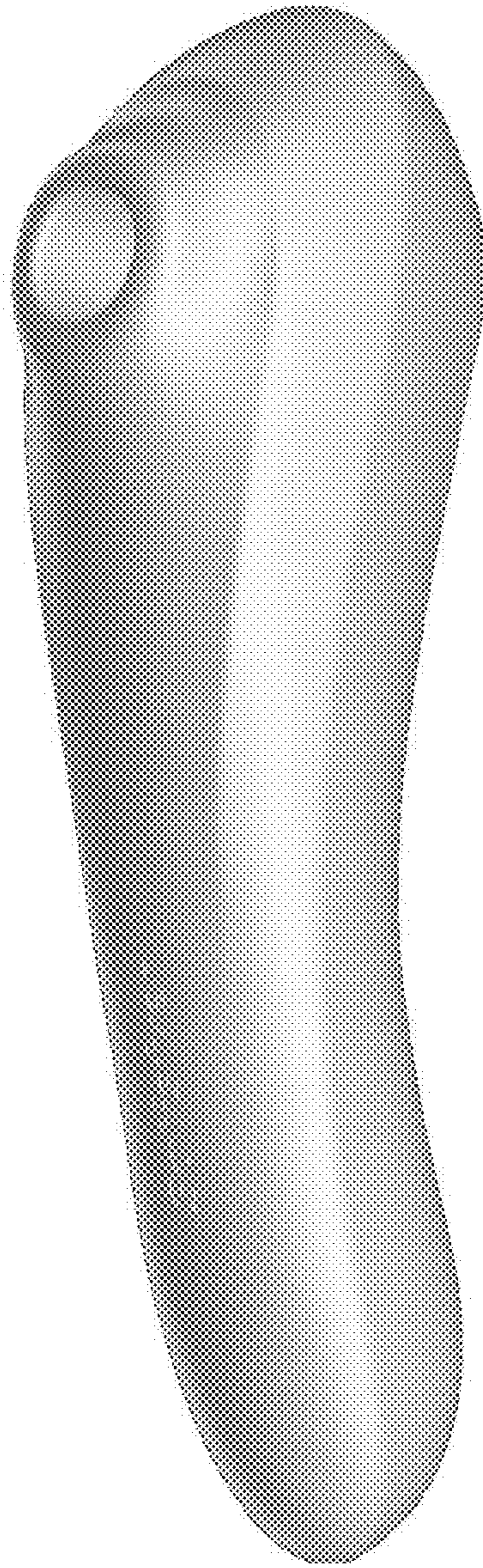


FIG. 6

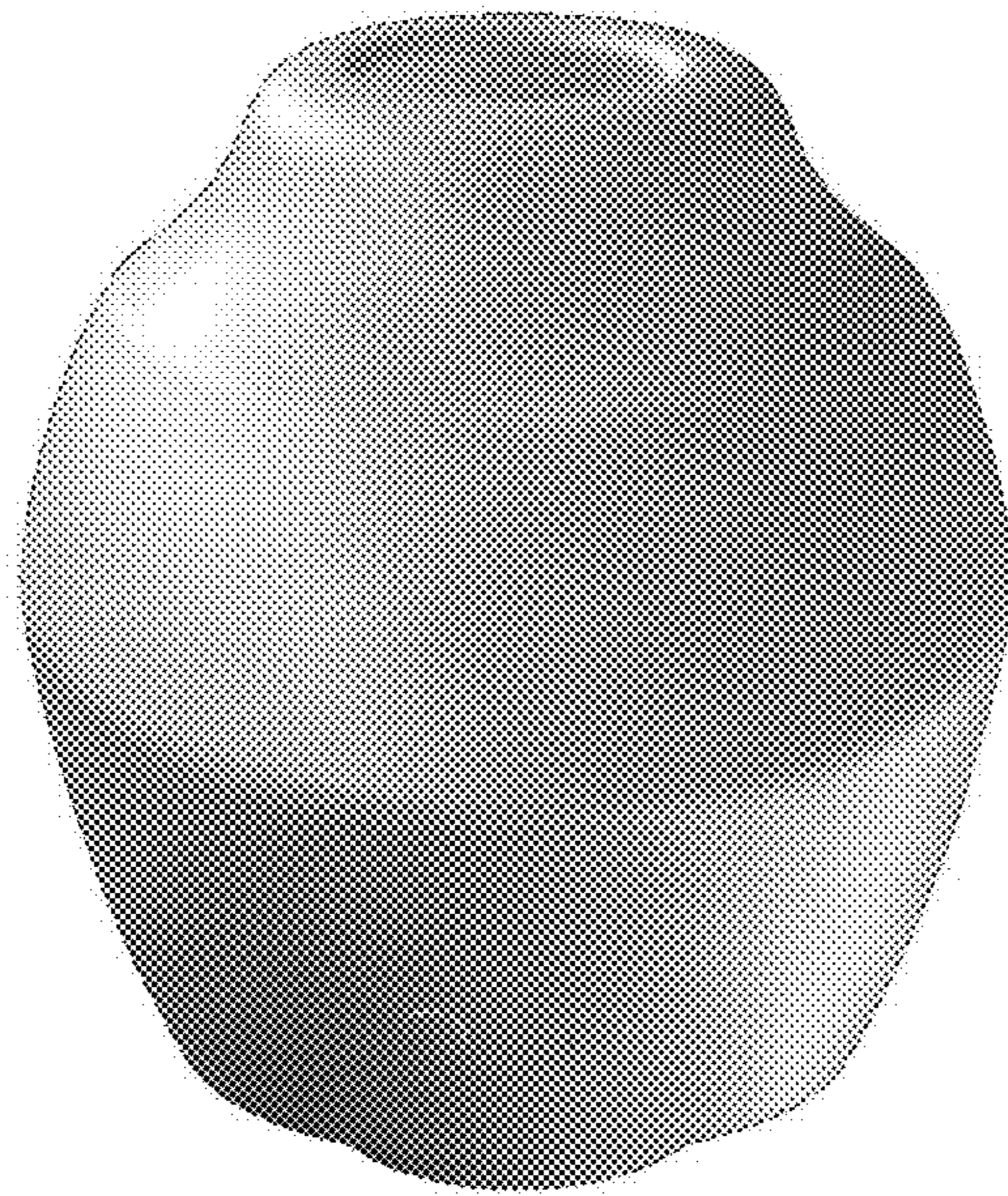


FIG. 7