



US00D950093S

(12) **United States Design Patent** (10) **Patent No.:** **US D950,093 S**
Fally et al. (45) **Date of Patent:** **** Apr. 26, 2022**

(54) **ADULT TOY**
(71) Applicant: **EIS GmbH**, Bielefeld (DE)
(72) Inventors: **Paul Fally**, Hamburg (DE); **Alexander Anderton**, Hamburg (DE); **Mariana Rosa Yzusqui Burkard**, Hamburg (DE); **Alex Dumler**, Hamburg (DE)
(73) Assignee: **EIS GmbH**, Bielefeld (DE)
(**) Term: **15 Years**
(21) Appl. No.: **29/781,686**
(22) Filed: **Apr. 30, 2021**

D666,303 S 8/2012 Ding et al.
D706,439 S 6/2014 Hahr et al.
D726,926 S 4/2015 Matsushita
D735,870 S 8/2015 Ban
D822,843 S * 7/2018 Lenke D24/215
D835,796 S * 12/2018 Sedic D24/215
D836,792 S * 12/2018 Fuhner D24/215
D848,012 S * 5/2019 Fuhner D24/215
D848,013 S * 5/2019 Fuhner D24/215
D848,632 S * 5/2019 Fuhner D24/215
D852,372 S * 6/2019 Fuhner D24/215
D861,911 S * 10/2019 Fuhner D24/215
D868,990 S * 12/2019 Tse D24/215
D869,675 S 12/2019 Hitscherich et al.
D870,903 S 12/2019 Weisman

(Continued)

Related U.S. Application Data

(62) Division of application No. 35/509,048, filed on Oct. 7, 2019 (U.S. filing date under 35 U.S.C. 384), and having an international filing date of Oct. 7, 2019, now Pat. No. Des. 927,721.
(51) **LOC (13) Cl.** **28-03**
(52) **U.S. Cl.**
USPC **D24/215**
(58) **Field of Classification Search**
USPC D24/133, 188, 200, 211–215; D28/91.1; D9/723, 726, 727; D4/100; D14/417
CPC A61H 2201/0153; A61H 7/007; A61H 15/0085; A61H 2015/0014; A61H 7/005; A61H 19/32; A61F 7/00; A61B 17/1325
See application file for complete search history.

References Cited

U.S. PATENT DOCUMENTS

D358,654 S 5/1995 Smith
D382,959 S 8/1997 Arpe
D410,638 S 6/1999 Sheehan et al.
D414,582 S 9/1999 Hwang
D448,380 S 9/2001 Sheehan et al.
D623,294 S 9/2010 Rhoades et al.

OTHER PUBLICATIONS

Chinavasion.com, Clitoris sucking vibrator for women adorime, undated online product page, retrieved Aug. 19, 2021 from <URL: <https://www.chinavasion.com/china/wholesale/health-bty/adult-items/vibrators/clitoris-sucking-vibrator-for-women-ado-pbe-0a9tj0u2>> (Year: 2021).*

(Continued)

Primary Examiner — Calvin E Vansant
(74) *Attorney, Agent, or Firm* — Mueting Raasch Group

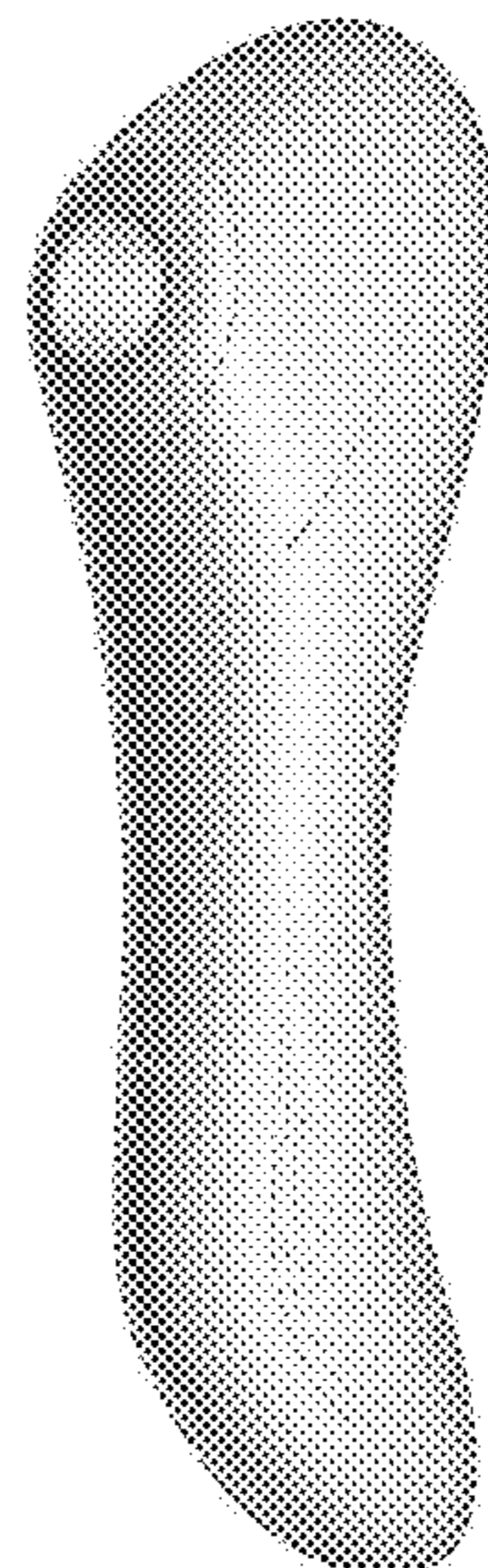
CLAIM

(57) We claim the ornamental design for an adult toy, as shown and described.

DESCRIPTION

FIG. 1 is a front view of an adult toy;
FIG. 2 is a bottom view thereof;
FIG. 3 is a side view thereof;
FIG. 4 is a back view thereof;
FIG. 5 is a back perspective view thereof;
FIG. 6 is a front perspective view thereof; and,
FIG. 7 is a top view thereof.

1 Claim, 7 Drawing Sheets



(56)

References Cited

U.S. PATENT DOCUMENTS

D886,384 S 6/2020 Khubani et al.
D890,946 S * 7/2020 Lee D24/215
D897,552 S * 9/2020 Meissner D24/215
D915,616 S * 4/2021 Lee D24/215
D927,010 S * 8/2021 He D24/215
2020/0281808 A1 9/2020 Kirsten et al.

OTHER PUBLICATIONS

satisfyer.com, Sexy Secret, undated online product pages, retrieved
May 21, 2021 from [https://us.satisfyer.com/us/products/clit-vibrators/
lay-on-vibrators/sexy-secret/](https://us.satisfyer.com/us/products/clit-vibrators/lay-on-vibrators/sexy-secret/), 2021.

* cited by examiner

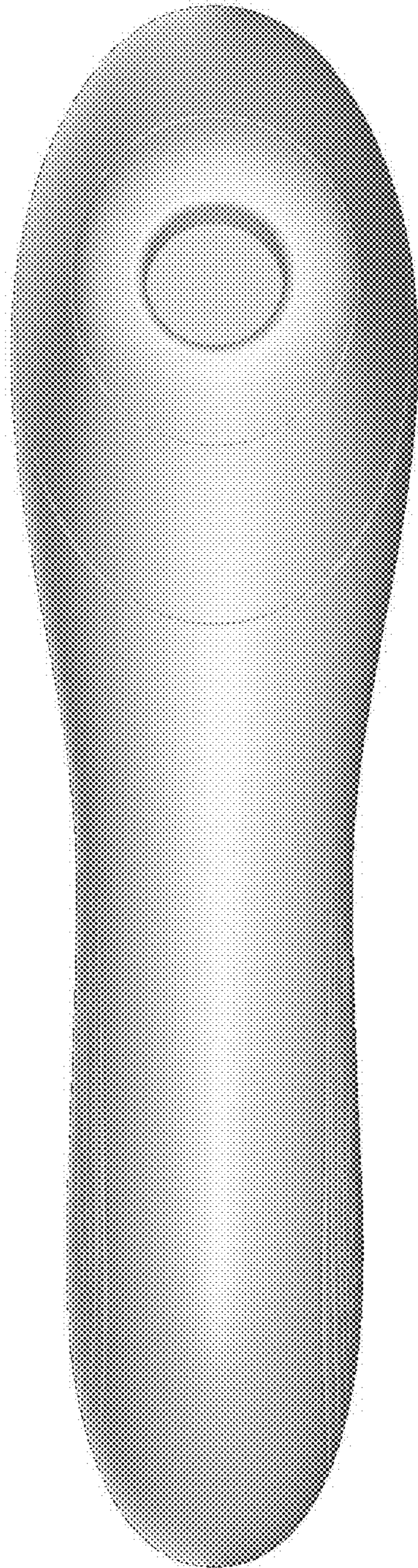


FIG. 1

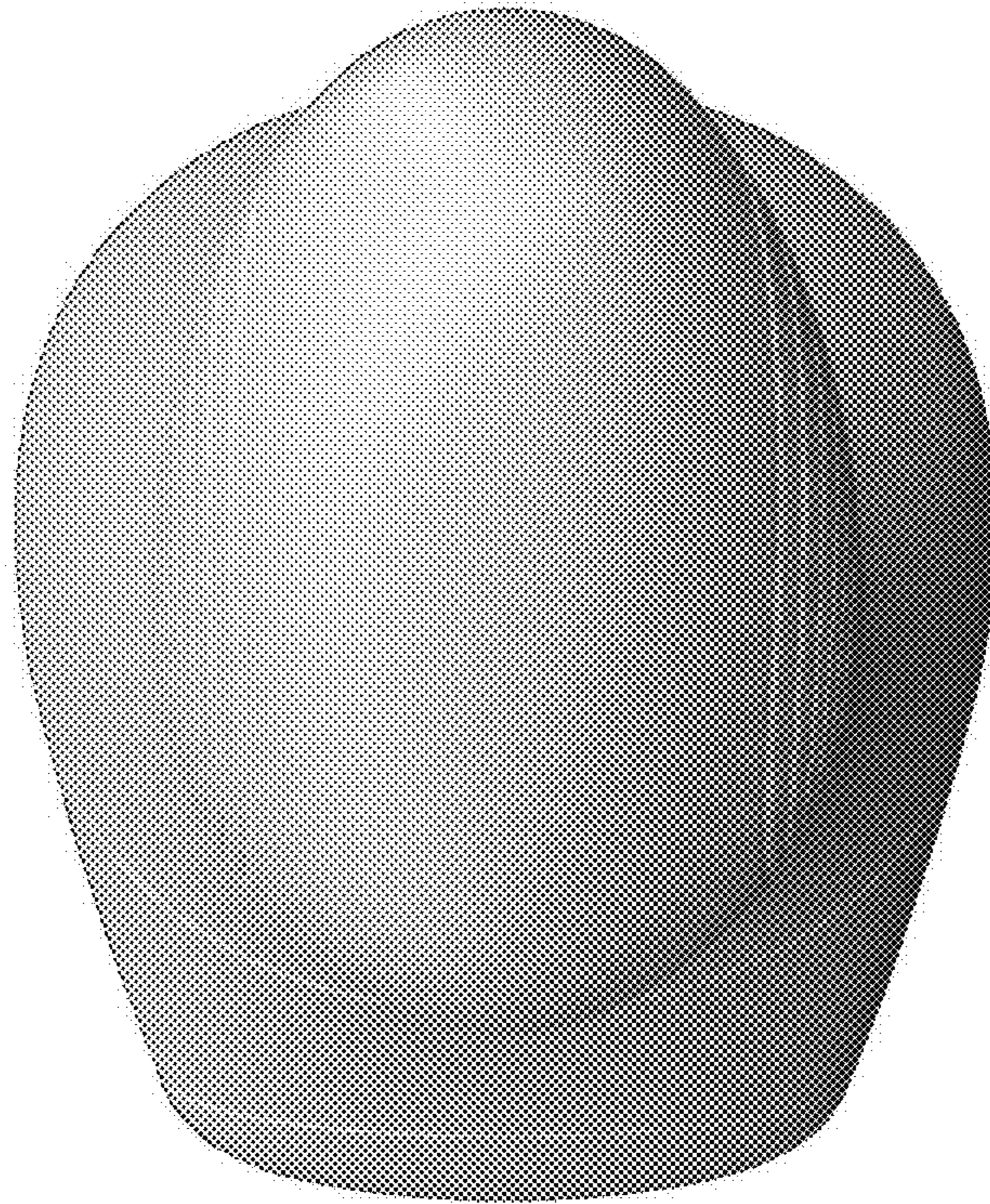


FIG. 2

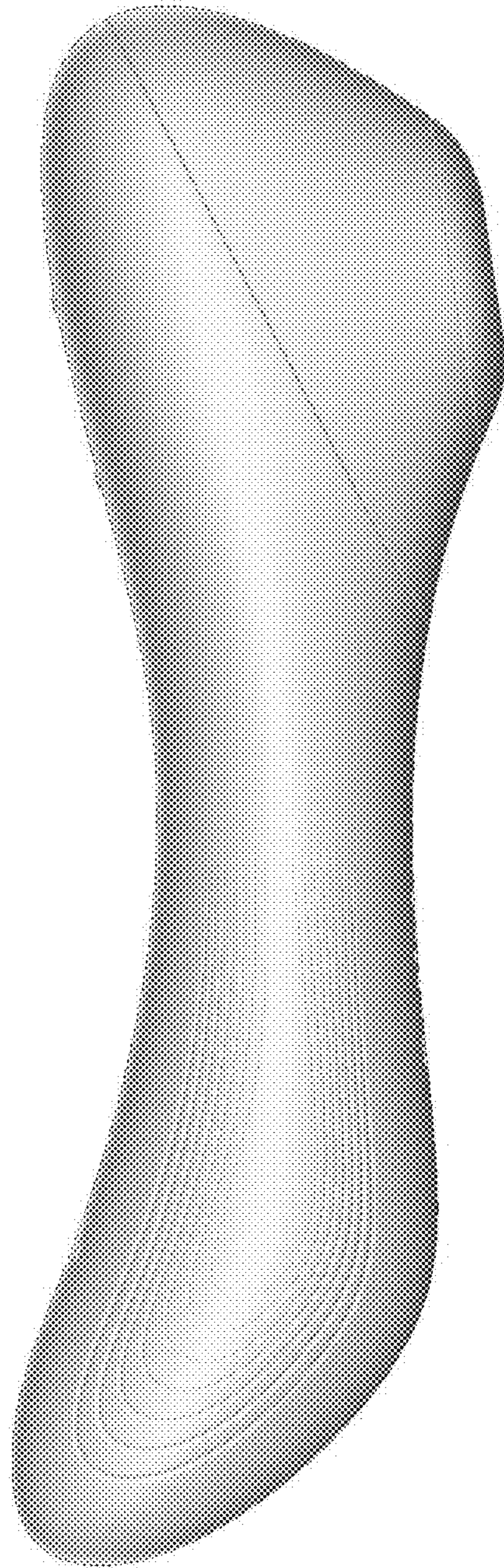


FIG. 3

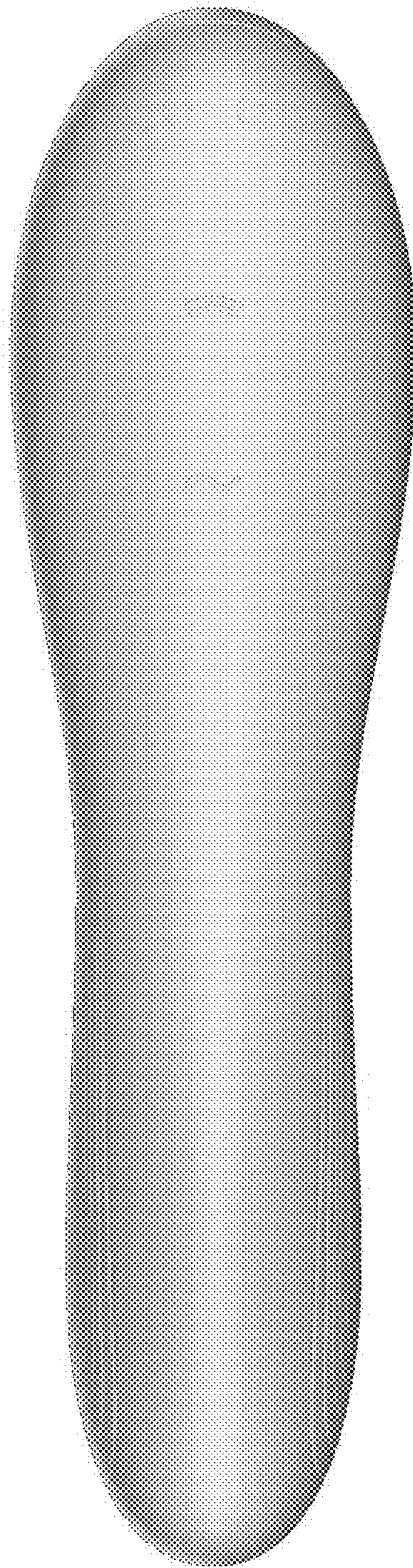


FIG. 4

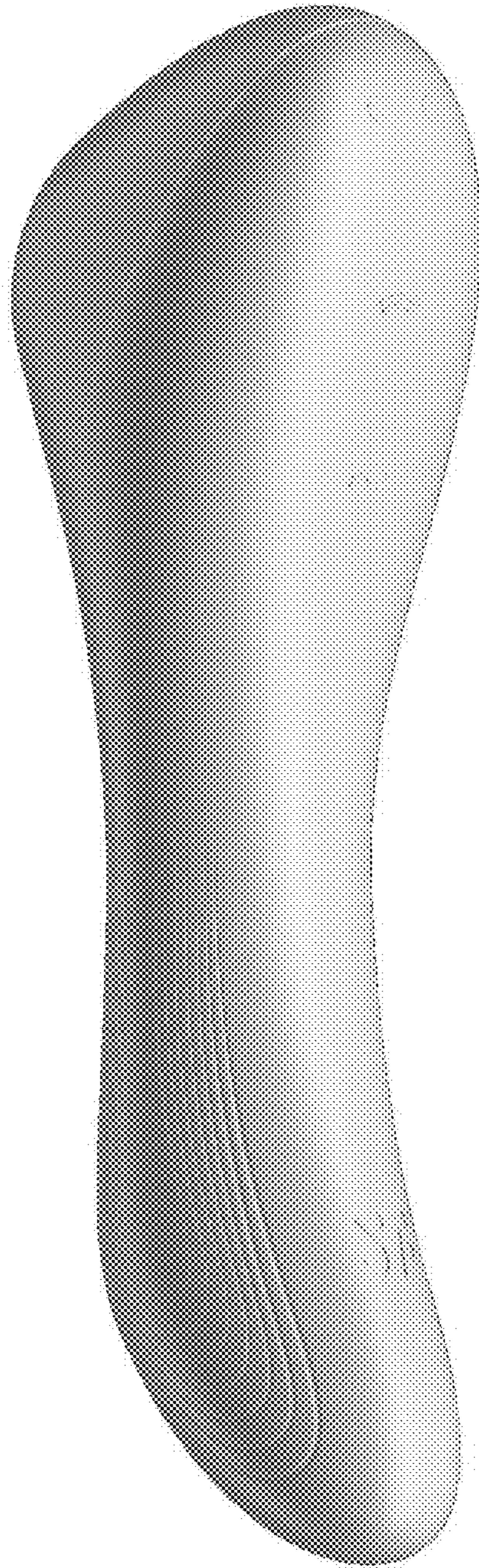


FIG. 5

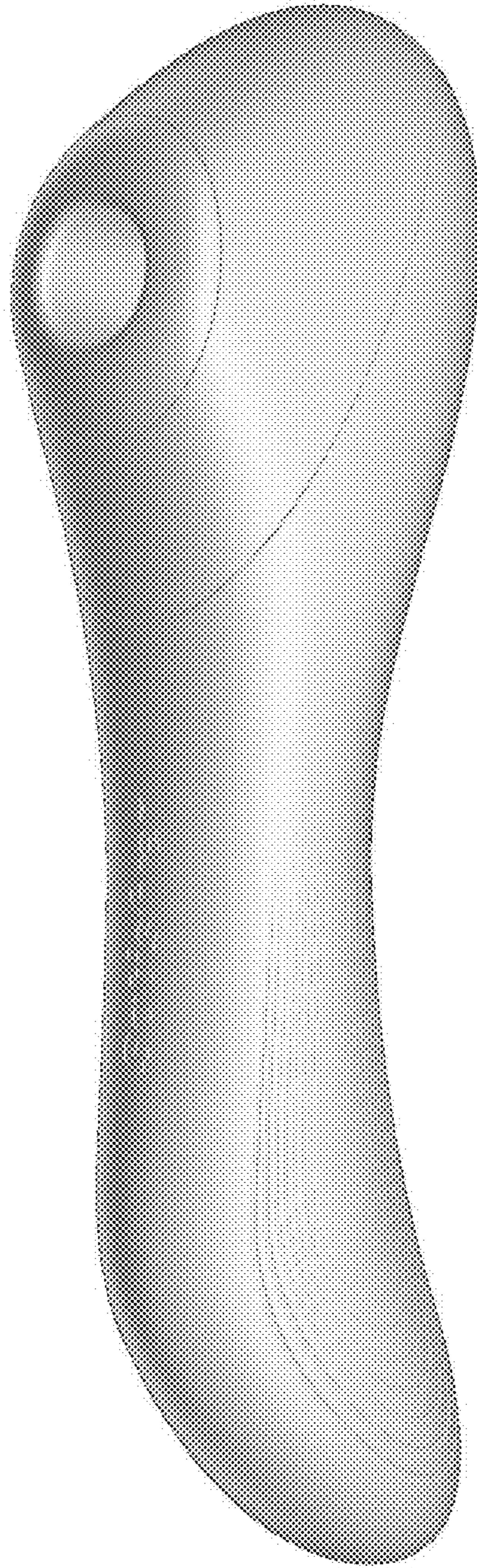


FIG. 6

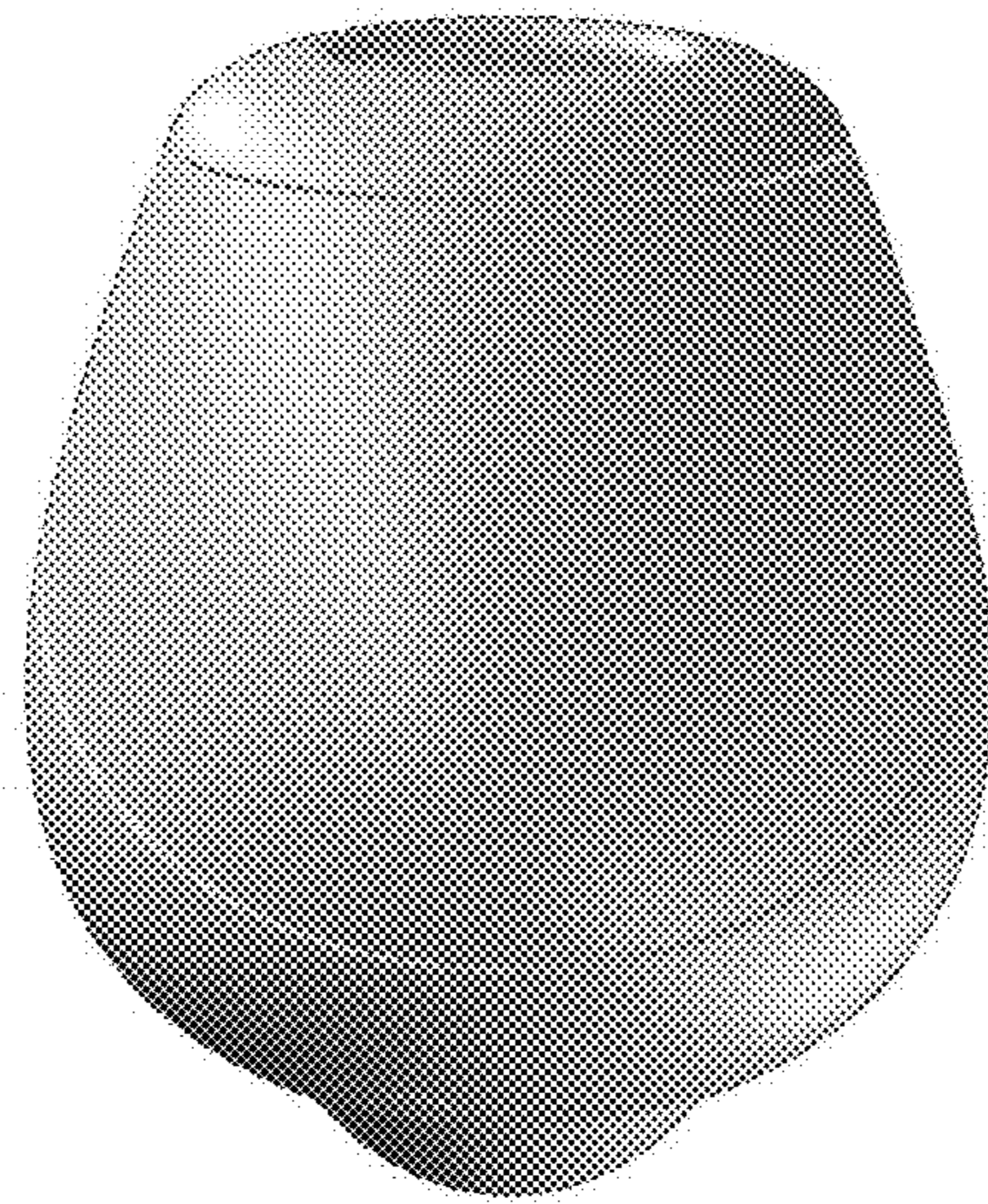


FIG. 7