



US00D950092S

(12) **United States Design Patent** (10) **Patent No.:** **US D950,092 S**
Yzusqui Burkard et al. (45) **Date of Patent:** **** Apr. 26, 2022**

(54) **ADULT TOY**
(71) Applicant: **EIS GmbH**, Bielefeld (DE)
(72) Inventors: **Mariana Rosa Yzusqui Burkard**,
Hamburg (DE); **Paul Fally**, Hamburg
(DE); **Alexander Anderton**, Hamburg
(DE); **Alex Dumler**, Hamburg (DE)
(73) Assignee: **EIS GmbH**, Bielefeld (DE)

D623,294 S 9/2010 Rhoades et al.
D666,303 S 8/2012 Ding et al.
D706,439 S 6/2014 Hahr et al.
D726,926 S 4/2015 Matsushita
D735,870 S 8/2015 Ban
D822,843 S * 7/2018 Lenke D24/215
D835,796 S * 12/2018 Sedic D24/215
D836,792 S * 12/2018 Fuhner D24/215
D848,012 S * 5/2019 Fuhner D24/215
D848,013 S * 5/2019 Fuhner D24/215

(Continued)

(**) Term: **15 Years**

OTHER PUBLICATIONS

(21) Appl. No.: **29/781,673**

DHgate.com, Vagina Clitoral sucking vibrator, undated online product page, retrieved Aug. 19, 2021 from <URL:https://www.dhgate.com/product/vagina-clitoral-sucking-vibrator-7-speeds/512946872.html> (Year: 2021).*

(22) Filed: **Apr. 30, 2021**

(Continued)

Related U.S. Application Data

(62) Division of application No. 35/509,048, filed on Oct. 7, 2019 (U.S. filing date under 35 U.S.C. 384), and having an international filing date of Oct. 7, 2019, now Pat. No. Des. 927,721.

Primary Examiner — Calvin E Vansant

(74) *Attorney, Agent, or Firm* — Muetting Raasch Group

(51) **LOC (13) Cl.** **28-03**

(52) **U.S. Cl.**
USPC **D24/215**

(57) **CLAIM**

We claim the ornamental design for an adult toy, as shown and described.

(58) **Field of Classification Search**
USPC D24/133, 188, 200, 211–215; D28/91.1;
D9/723, 726, 727; D4/100; D14/417
CPC A61H 2201/0153; A61H 7/007; A61H
15/0085; A61H 2015/0014; A61H 7/005;
A61H 19/32; A61B 17/1325; A61F 7/00
See application file for complete search history.

DESCRIPTION

The patent or application file contains at least one drawing executed in color. Copies of this patent or patent application publication with color drawing(s) will be provided by the Office upon request and payment of the necessary fee.

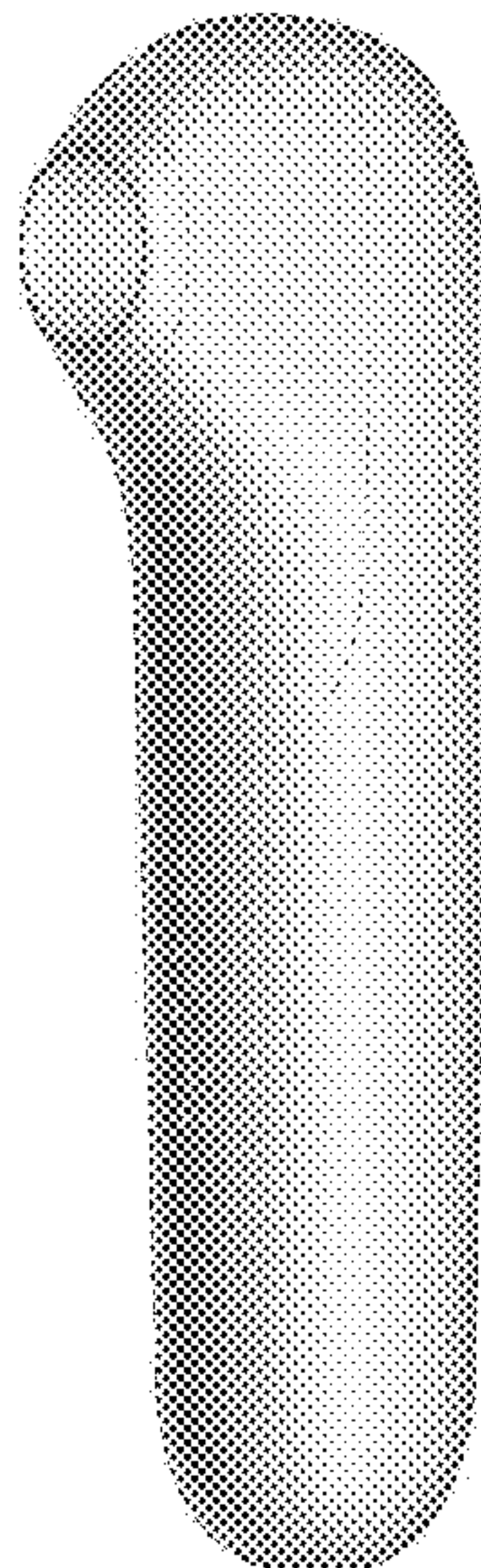
FIG. 1 is a front view of an adult toy;
FIG. 2 is a bottom view thereof;
FIG. 3 is a back view thereof;
FIG. 4 is a side view thereof;
FIG. 5 is a back perspective view thereof;
FIG. 6 is a front perspective view thereof; and,
FIG. 7 is a top view thereof.

(56) **References Cited**

U.S. PATENT DOCUMENTS

D358,654 S 5/1995 Smith
D382,959 S 8/1997 Arpe
D410,638 S 6/1999 Sheehan et al.
D414,582 S 9/1999 Hwang
D448,380 S 9/2001 Sheehan et al.

1 Claim, 7 Drawing Sheets
(7 of 7 Drawing Sheet(s) Filed in Color)



(56)

References Cited

U.S. PATENT DOCUMENTS

D848,632 S * 5/2019 Fuhner D24/215
D852,372 S * 6/2019 Fuhner D24/215
D861,911 S * 10/2019 Fuhner D24/215
D868,990 S * 12/2019 Tse D24/215
D869,675 S 12/2019 Hitscherich et al.
D870,903 S 12/2019 Weisman
D886,384 S 6/2020 Khubani et al.
D890,946 S * 7/2020 Lee D24/215
D897,552 S * 9/2020 Meissner D24/215
D915,616 S * 4/2021 Lee D24/215
D927,010 S * 8/2021 He D24/215
2020/0281808 A1 9/2020 Kirsten et al.

OTHER PUBLICATIONS

Chinavasion.Com, Clitoris sucking vibrator for women adorime, undated online product page, retrieved Aug. 19, 2021 from <URL: <https://www.chinavasion.com/china/wholesale/health-bty/adult-items/vibrators/clitoris-sucking-vibrator-for-women-ado-pbe-0a9tj0u2>> (Year: 2021).*

satisfyer.com, Sexy Secret, undated online product pages, retrieved May 21, 2021 from <https://us.satisfyer.com/us/products/clit-vibrators/lay-on-vibrators/sexy-secret/>, 2021.

* cited by examiner

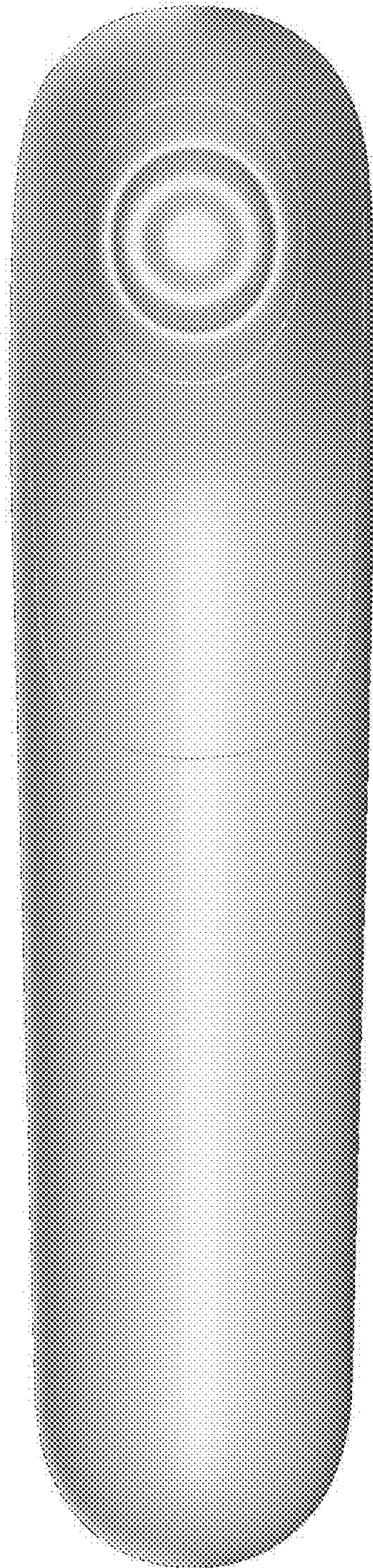


FIG. 1

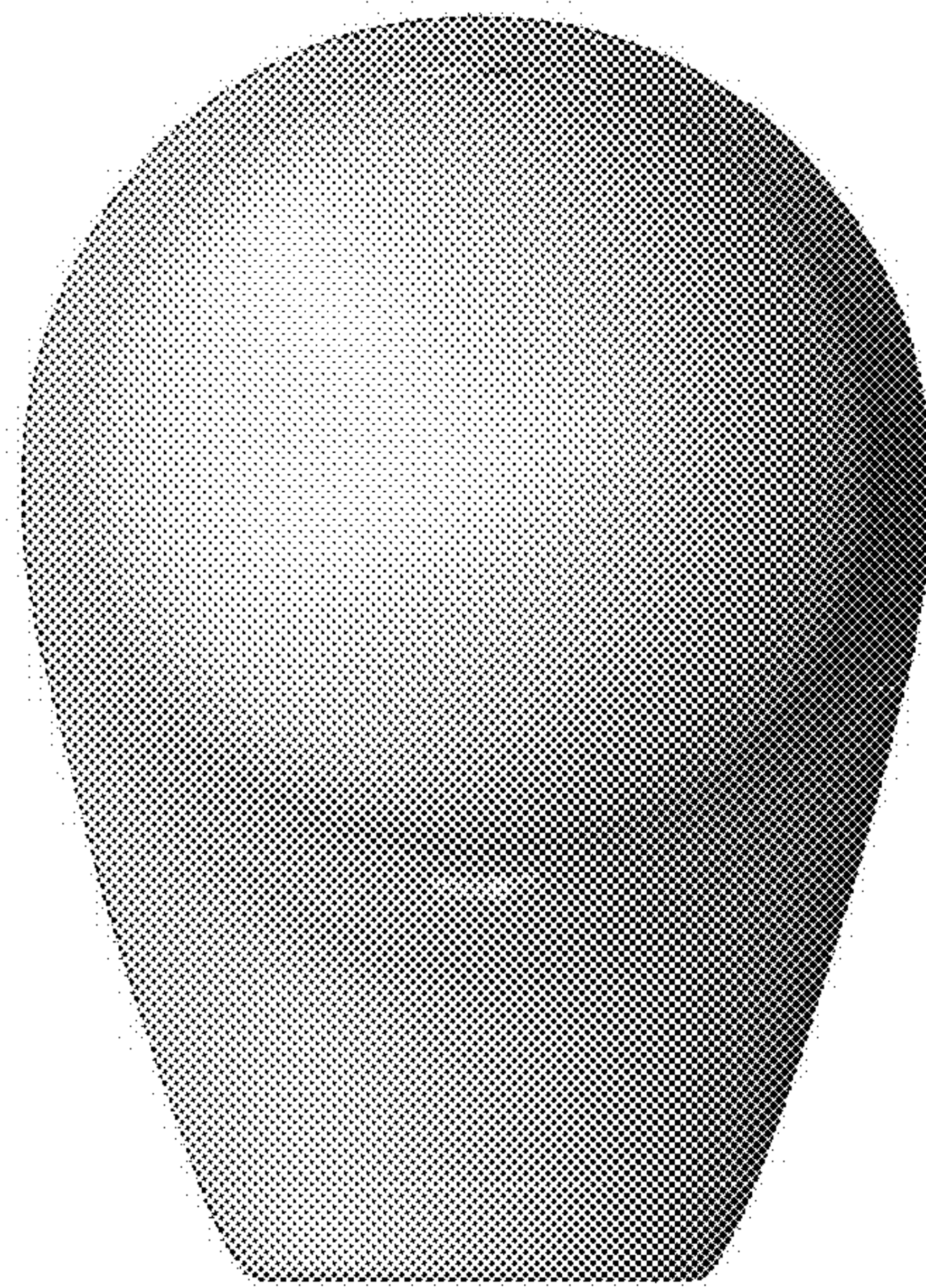


FIG. 2

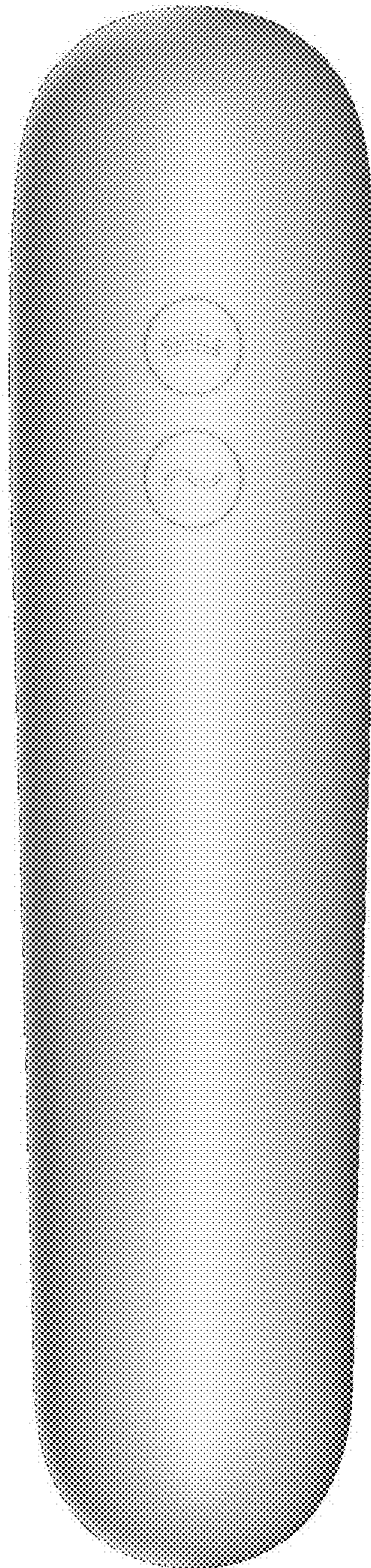


FIG. 3

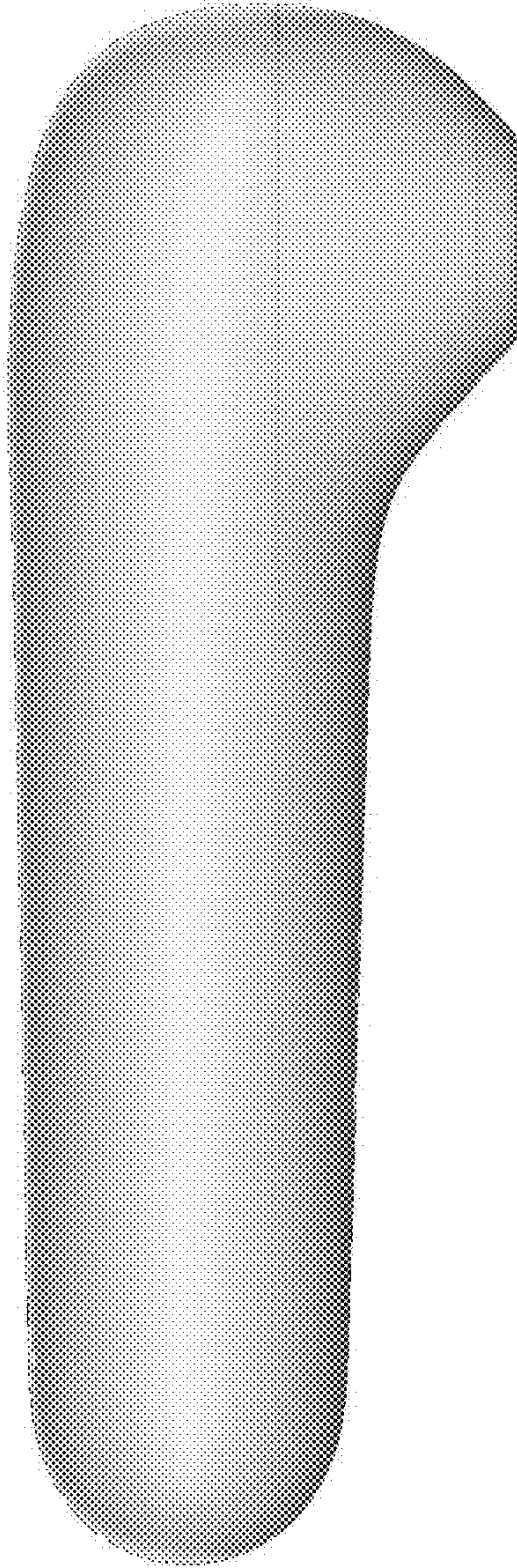


FIG. 4

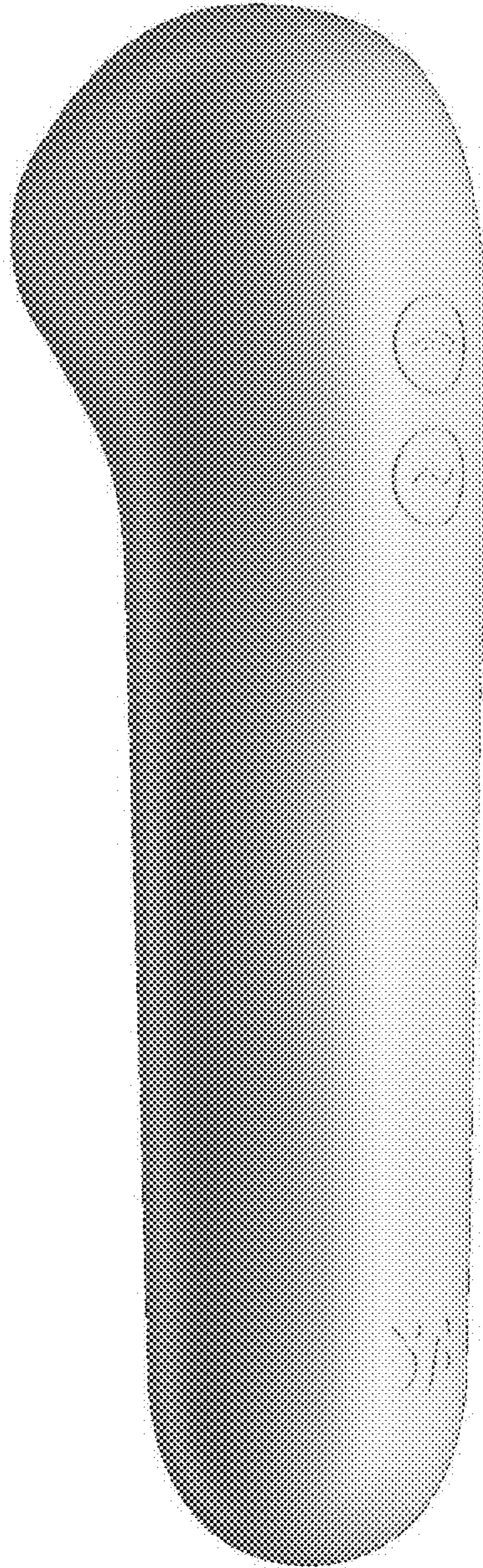


FIG. 5



FIG. 6

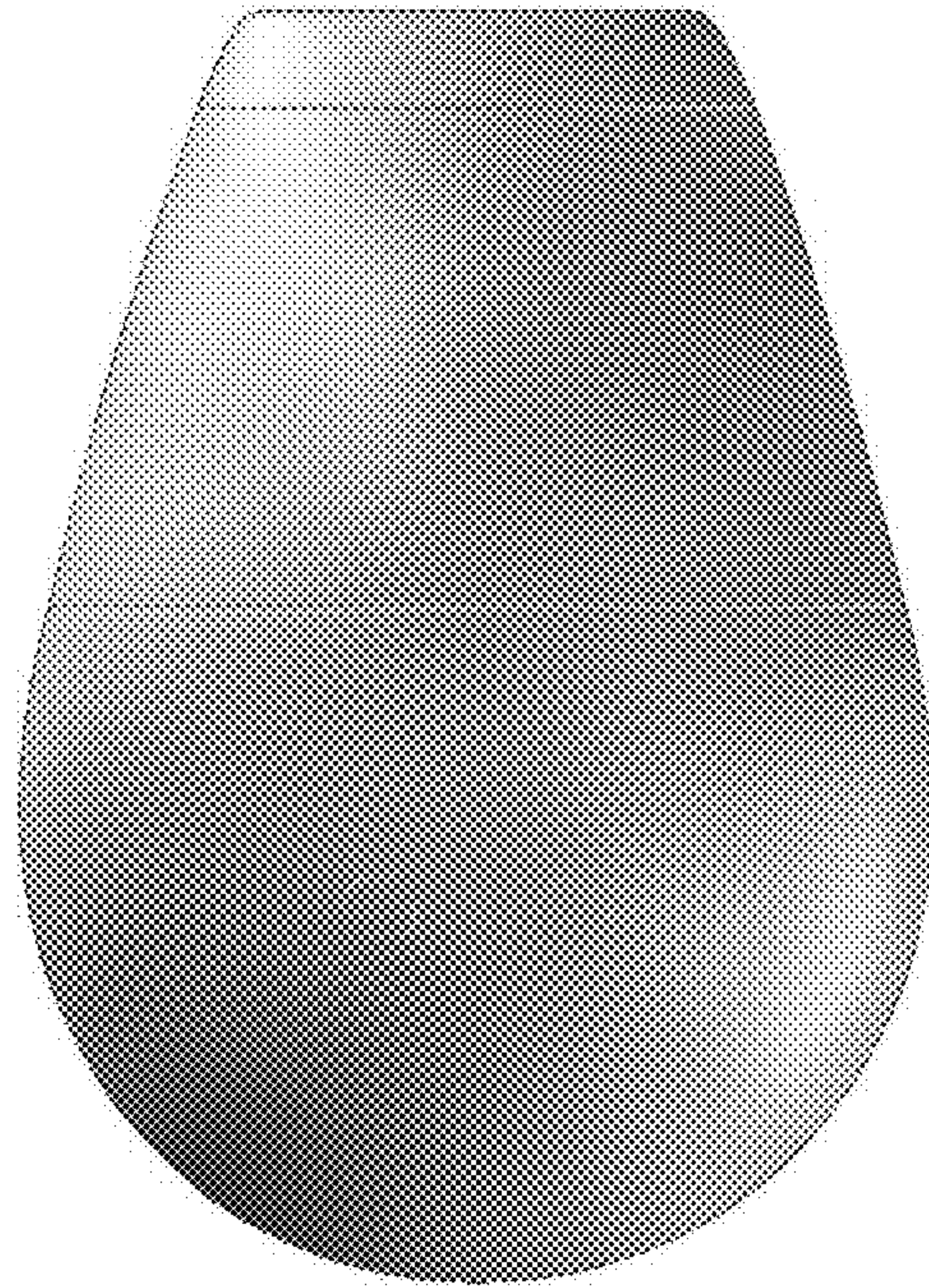


FIG. 7