



US00D950091S

(12) **United States Design Patent** (10) **Patent No.:** **US D950,091 S**
Li (45) **Date of Patent:** **** Apr. 26, 2022**

(54) **HOT COMPRESS FASCIA GUN**
(71) Applicant: **Wenzhou Daxin Technology Co., Ltd.,**
Wenzhou (CN)
(72) Inventor: **Manyi Li, Wenzhou (CN)**
(**) Term: **15 Years**
(21) Appl. No.: **29/770,593**
(22) Filed: **Feb. 13, 2021**
(51) **LOC (13) Cl.** **28-03**
(52) **U.S. Cl.**
USPC **D24/215**
(58) **Field of Classification Search**
USPC D24/200, 211, 212, 213, 214, 215;
D8/14.1; D28/13
CPC . A61H 2201/1635; A61H 23/006; A61H 1/00
See application file for complete search history.

D884,205 S * 5/2020 Zhuang D24/215
D884,207 S * 5/2020 Ma D24/215
D884,915 S * 5/2020 Wersland D24/215
D885,601 S * 5/2020 Wersland D24/215
D886,317 S * 6/2020 Marton D24/215
D887,573 S * 6/2020 Wersland D24/215
10,714,953 B1 * 7/2020 Solana H02J 7/0044
D895,132 S * 9/2020 Hu D24/215
D895,133 S * 9/2020 Xu D24/215
D895,135 S * 9/2020 Xu D24/215
D895,829 S * 9/2020 Hu D24/215

(Continued)

OTHER PUBLICATIONS

Youtube, "Hot Compress Fascia Massage Gun", Mar. 23, 2021.
<https://www.youtube.com/watch?v=qQ4Nx8mVyRE>. Shown at the
0:37 second mark. (Year: 2021).*

(Continued)

Primary Examiner — Michael A Maharajh
(74) *Attorney, Agent, or Firm* — Rumit Ranjit Kanakia

(56) **References Cited**
U.S. PATENT DOCUMENTS

D430,938 S 9/2000 Lee
D447,811 S 9/2001 Yi
D448,852 S 10/2001 Engelen
D530,020 S 10/2006 Cooper
D616,558 S * 5/2010 Tsai D24/200
D847,364 S * 4/2019 Lee D24/215
10,314,762 B1 * 6/2019 Marton A61H 23/006
D855,822 S * 8/2019 Marton D24/215
D863,571 S * 10/2019 Yang D24/200
D866,790 S * 11/2019 Lee D24/215
D872,869 S * 1/2020 Lu D24/215
D873,432 S * 1/2020 Duan D24/214
D874,015 S * 1/2020 Marton D24/215
D877,351 S * 3/2020 Wersland D24/215
D879,985 S * 3/2020 Wersland D24/214
D879,986 S * 3/2020 Wersland D24/214
D880,714 S * 4/2020 Wersland D24/215
D880,715 S * 4/2020 Wersland D24/215
D880,716 S * 4/2020 Wersland D24/215

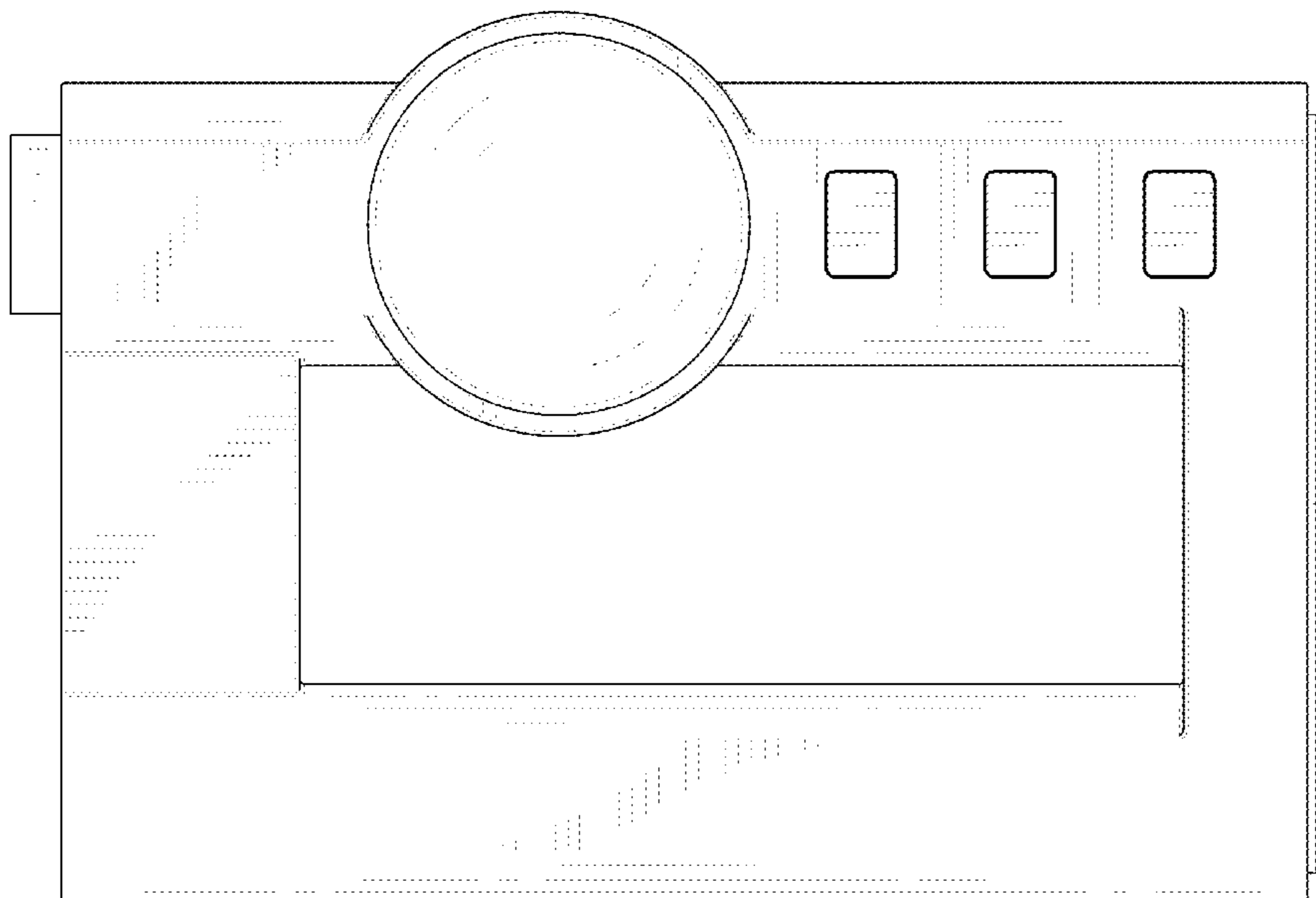
(57) **CLAIM**

The ornamental design for a hot compress fascia gun, as shown and described.

DESCRIPTION

FIG. 1 is a front elevational view of a hot compress fascia gun showing my new design;
FIG. 2 is a rear elevational view thereof;
FIG. 3 is a left side view thereof;
FIG. 4 is a right side view thereof;
FIG. 5 is a top plan view thereof;
FIG. 6 is a bottom plan view thereof; and,
FIG. 7 is a perspective view thereof.
The broken lines in the figures are for the purposes of illustrating portions of the hot compress fascia gun, which form no part of the claimed design.

1 Claim, 7 Drawing Sheets



(56)

References Cited

U.S. PATENT DOCUMENTS

D895,831 S * 9/2020 Chen D24/215
 D896,396 S * 9/2020 Wersland D24/215
 D898,209 S * 10/2020 Xu D24/214
 D898,933 S * 10/2020 Xu D24/215
 D899,620 S 10/2020 Huang
 D905,266 S 12/2020 Liu
 D905,863 S * 12/2020 Lin D24/215
 D906,533 S * 12/2020 Xu D24/215
 D907,229 S 1/2021 Zhang
 D907,230 S 1/2021 Zhang
 D907,231 S 1/2021 Zhou
 D908,908 S 1/2021 Xu
 D910,194 S * 2/2021 Radtke D24/215
 D911,535 S * 2/2021 Yu D24/200
 D912,267 S * 3/2021 Tang D24/215
 D912,268 S * 3/2021 Xiang D24/215
 D913,516 S * 3/2021 Zhang D24/215
 D913,517 S * 3/2021 Yu D24/215
 10,940,081 B2 * 3/2021 Nazarian A61H 23/02
 10,959,911 B2 * 3/2021 Wersland A61H 1/00
 D916,307 S * 4/2021 Xiong D24/215

D917,060 S * 4/2021 Hu D24/215
 2016/0338899 A1 * 11/2016 Howson A61H 7/001
 2016/0367425 A1 * 12/2016 Wersland A61H 1/008
 2017/0304145 A1 * 10/2017 Pepe A61H 23/006
 2018/0200141 A1 * 7/2018 Wersland A61H 23/006
 2019/0254921 A1 * 8/2019 Marton A61H 23/006
 2020/0069510 A1 * 3/2020 Wersland A61H 15/0085
 2020/0085675 A1 * 3/2020 Lee A61H 1/00
 2020/0214930 A1 * 7/2020 Wersland A61H 1/00
 2020/0261306 A1 * 8/2020 Pepe A61H 23/0254
 2020/0261307 A1 * 8/2020 Wersland A61H 23/006
 2020/0268594 A1 * 8/2020 Pepe A61H 15/02
 2020/0390644 A1 * 12/2020 Yang G16H 20/30
 2021/0113427 A1 * 4/2021 Liu A61H 23/0254

OTHER PUBLICATIONS

MsChloie, "Compress Fascia Massage Gun", May 19, 2021. <https://www.mschloie.com/products/hot-compress-fascia-massage-gun-heating-muscle-relaxation-pain-relief-therapy>. Shown on p. 1. (Year: 2021).*

* cited by examiner

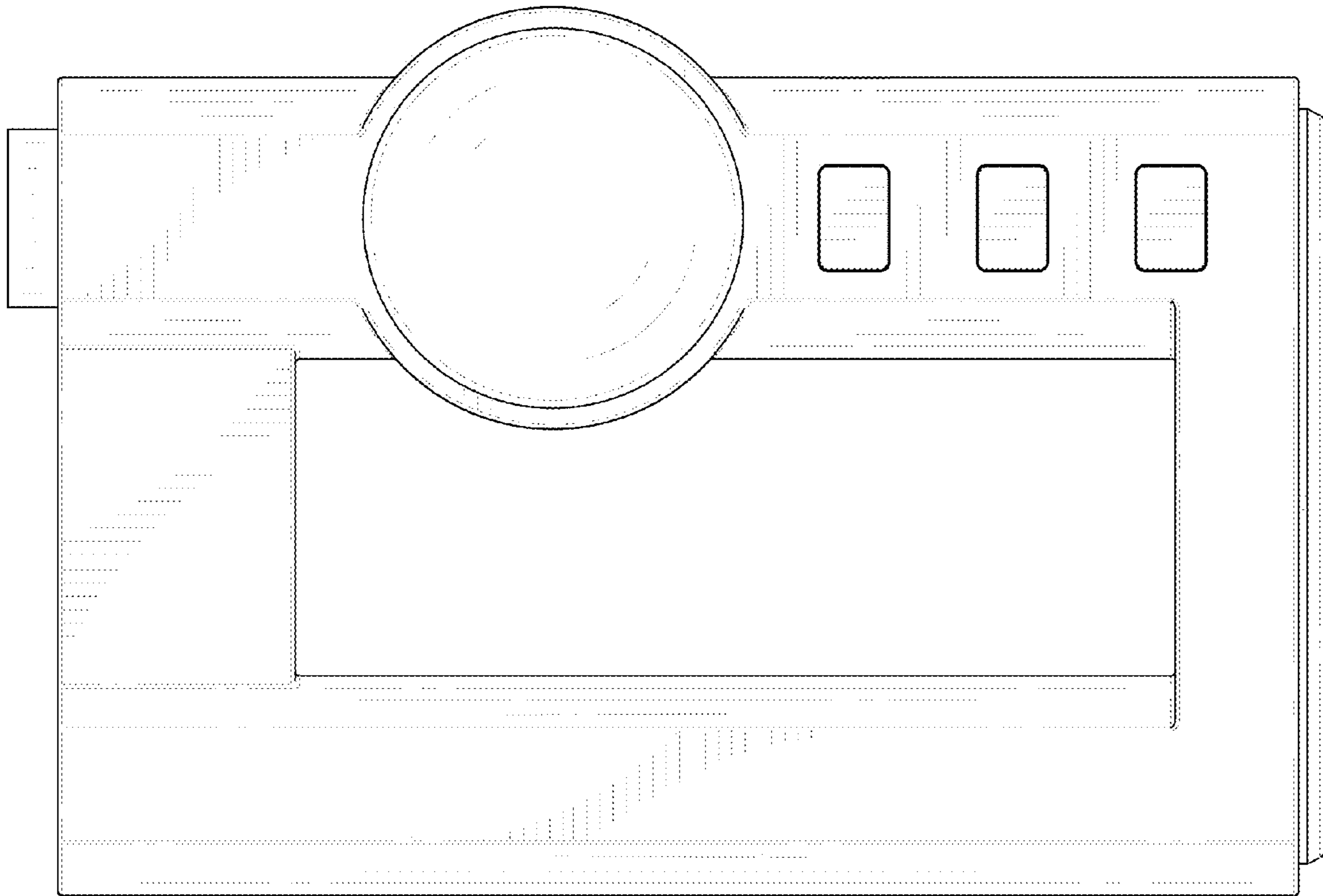


Fig.1

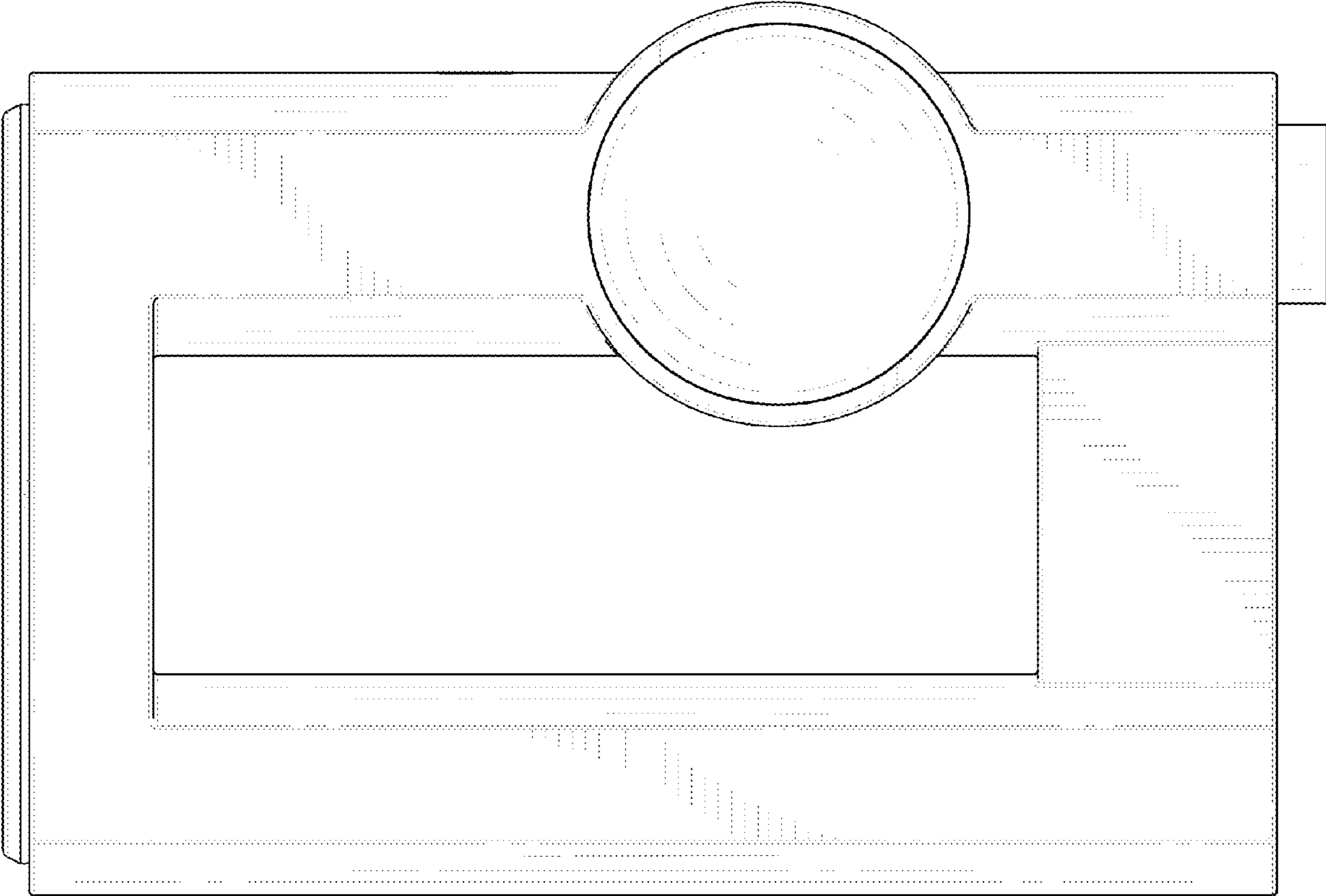


Fig.2

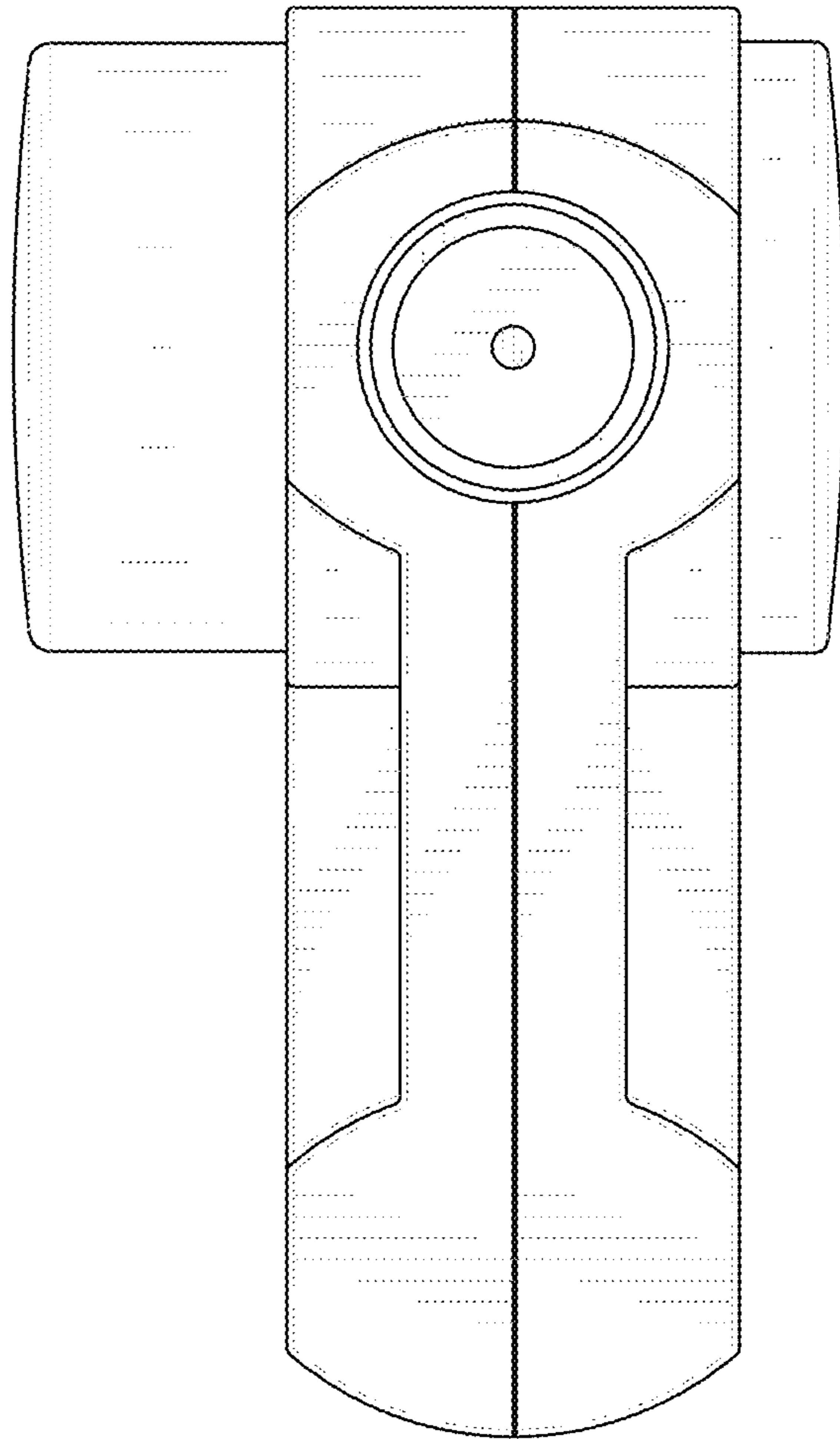


Fig.3

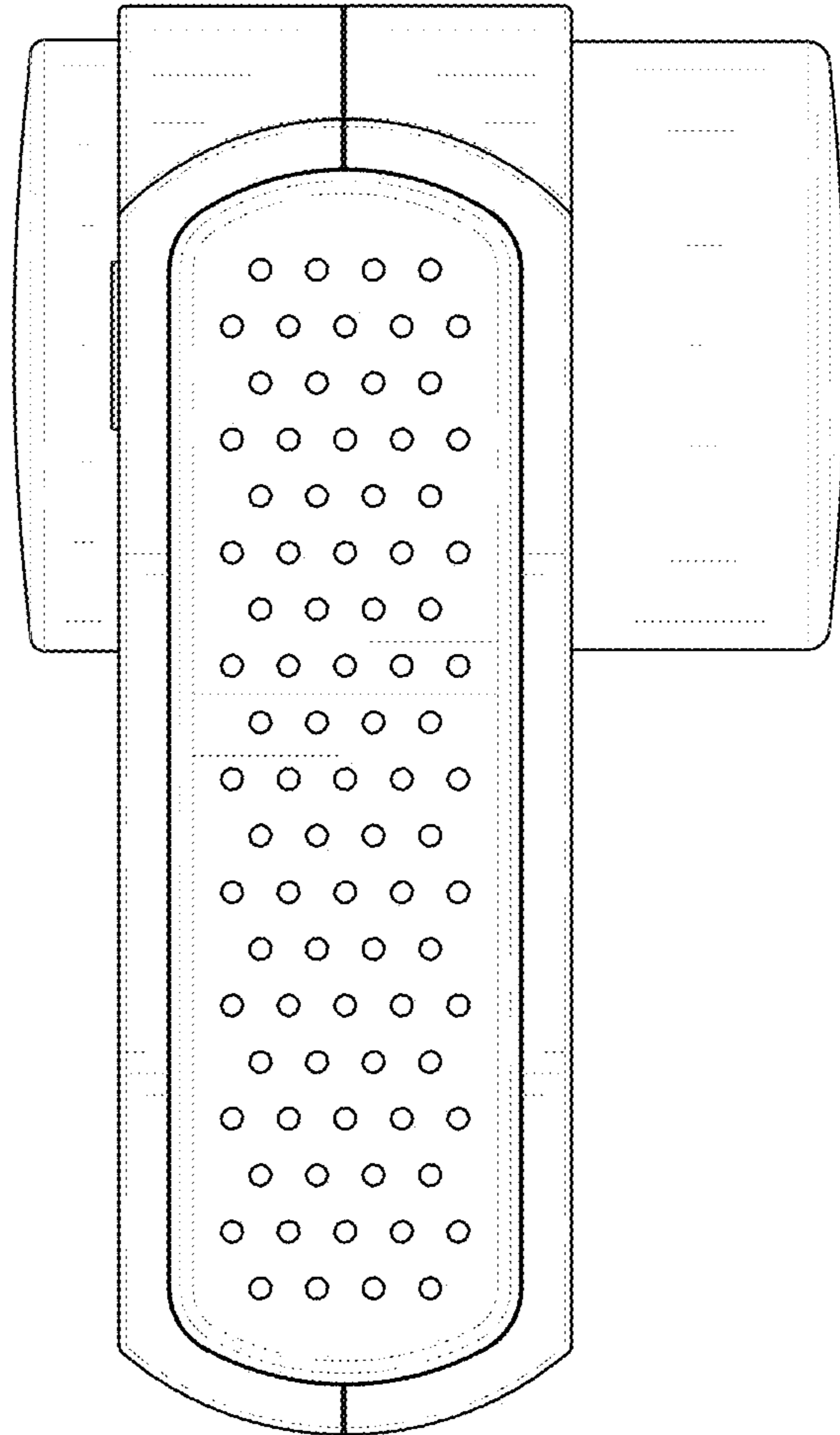


Fig.4

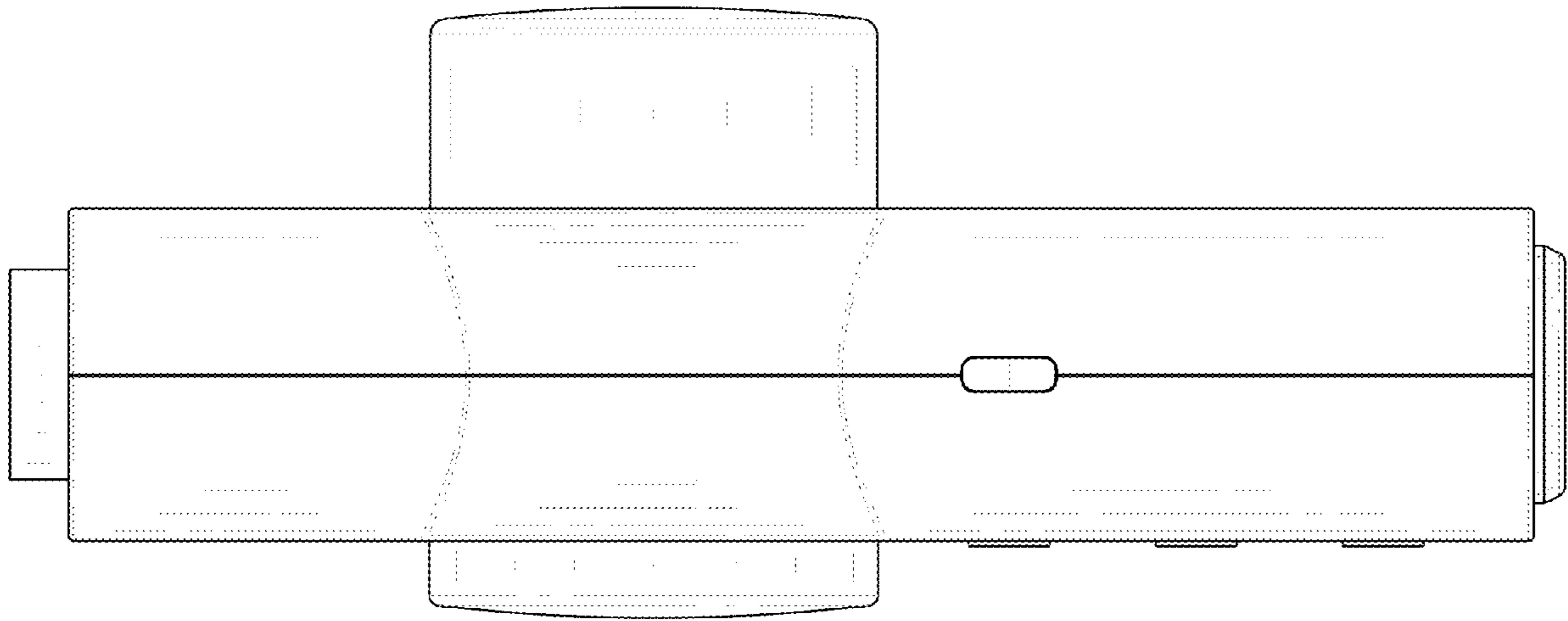


Fig.5

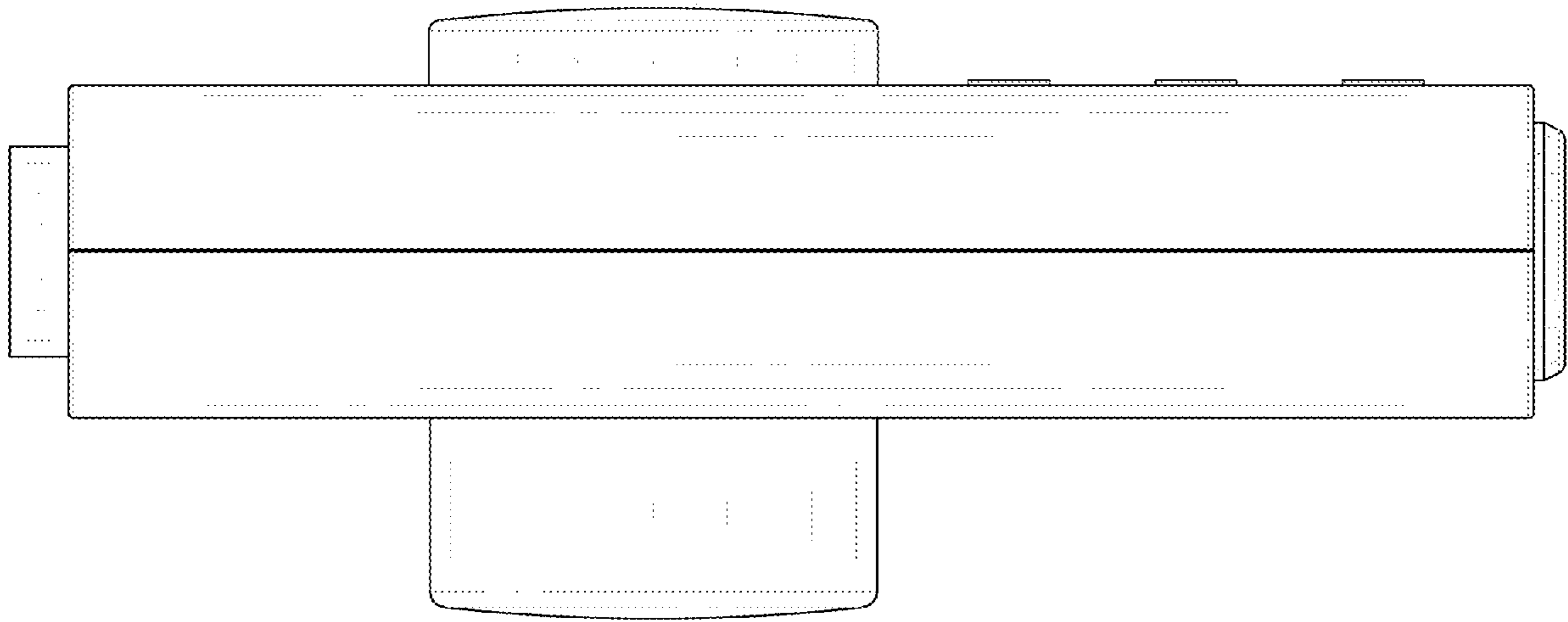


Fig.6

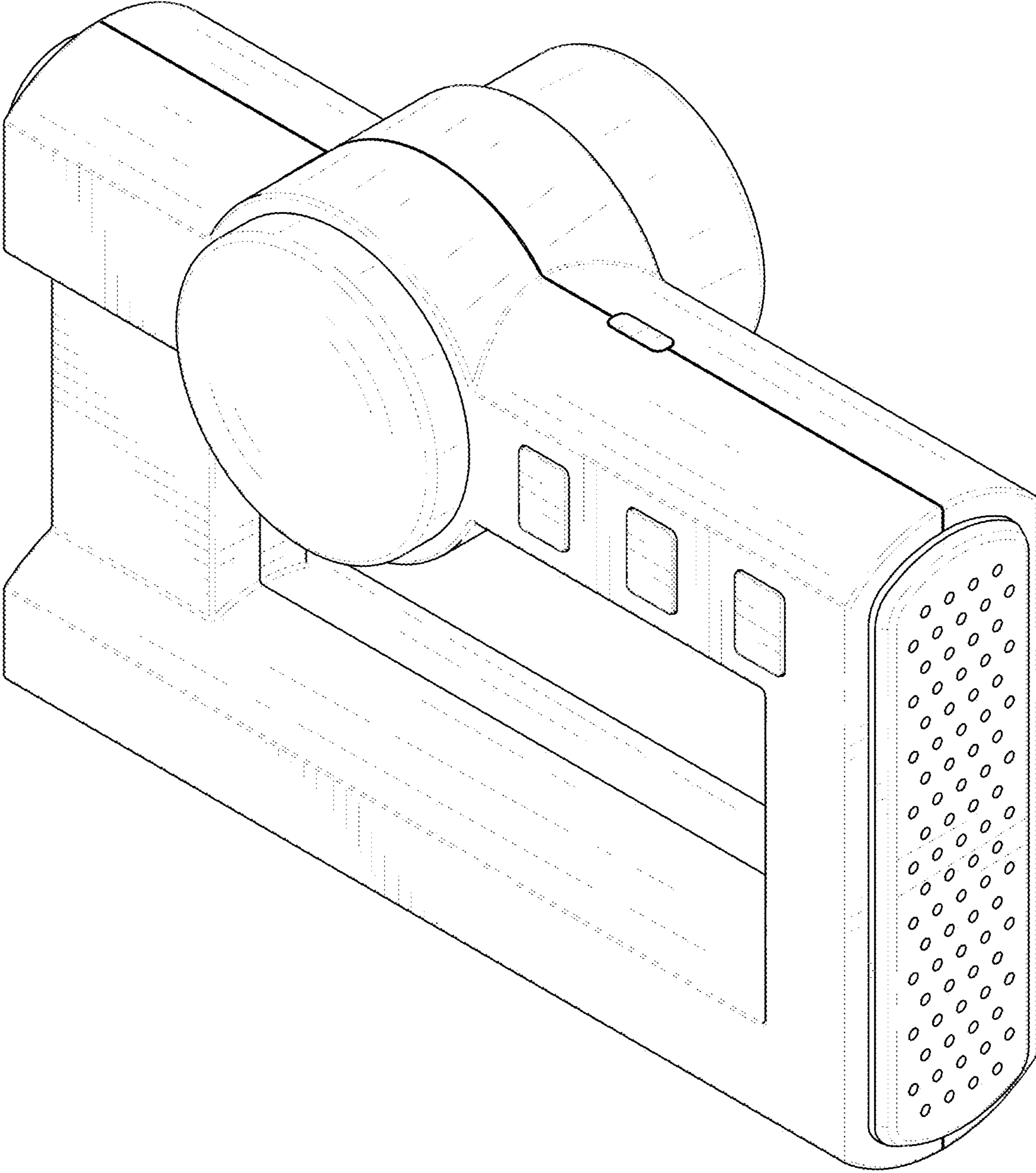


Fig.7