



US00D950089S

(12) **United States Design Patent**
Bernstein

(10) **Patent No.:** **US D950,089 S**

(45) **Date of Patent:** **** Apr. 26, 2022**

(54) **HANDLE FOR A MASSAGE DEVICE**

(71) Applicant: **Body Back Company**, Knoxville, TN
(US)

(72) Inventor: **Jonathan Bernstein**, Ashland, OR (US)

(**) Term: **15 Years**

(21) Appl. No.: **29/726,707**

(22) Filed: **Mar. 5, 2020**

(51) **LOC (13) Cl.** **28-03**

(52) **U.S. Cl.**

USPC **D24/215**

(58) **Field of Classification Search**

USPC D21/662, 673, 679, 680, 682, 694;
D30/160; D24/211, 212, 213, 214, 215

CPC A61H 7/003; A61H 15/0085; A61H 1/008;
A63B 21/075

See application file for complete search history.

(56) **References Cited**

U.S. PATENT DOCUMENTS

D275,979 S *	10/1984	Eischen, Sr.	D21/662
D276,835 S *	12/1984	Killen	D21/679
D358,894 S *	5/1995	Ivy	D24/211
D359,359 S *	6/1995	Robertson	D24/211
D359,360 S *	6/1995	Ivy	D24/211
D361,133 S *	8/1995	Robertson	D24/211
5,711,758 A *	1/1998	Tseng	A61H 15/0085 601/112
D396,297 S *	7/1998	Breznik	D24/211
D431,608 S *	10/2000	Lin	D21/398
D508,097 S *	8/2005	Perez	D21/662
D527,776 S *	9/2006	Willardson	D21/694
D571,418 S *	6/2008	Gormley	D21/680
7,634,314 B2 *	12/2009	Applebaum	A61H 15/0085 601/20
D644,701 S *	9/2011	Towley, III	D21/681
D653,715 S *	2/2012	Tumminia	A63B 21/075 D21/679
D659,774 S *	5/2012	Huang	D21/662

D662,161 S *	6/2012	Miller	D21/662
D788,935 S *	6/2017	Fine	A61H 23/0254 D24/215
D795,973 S *	8/2017	Bush	D21/694
D795,974 S *	8/2017	Bush	D21/694
D795,975 S *	8/2017	Bush	D21/694

(Continued)

OTHER PUBLICATIONS

Youtube, "Body Back Vibe", Aug. 24, 2020. <https://www.youtube.com/watch?v=DOzRB20WS44>. Shown at the 00:01 second mark. (Year: 2020).*

(Continued)

Primary Examiner — Cynthia Ramirez

Assistant Examiner — Michael A Maharajh

(74) *Attorney, Agent, or Firm* — Robinson IP Law, PLLC

(57) **CLAIM**

The ornamental design for a handle for a massage device, as shown and described.

DESCRIPTION

FIG. 1 is a top perspective view of the handle for a massage device;

FIG. 2 is a front plan view thereof;

FIG. 3 is a back plan view thereof;

FIG. 4 is a first side elevational view thereof;

FIG. 5 is a second side elevational view thereof;

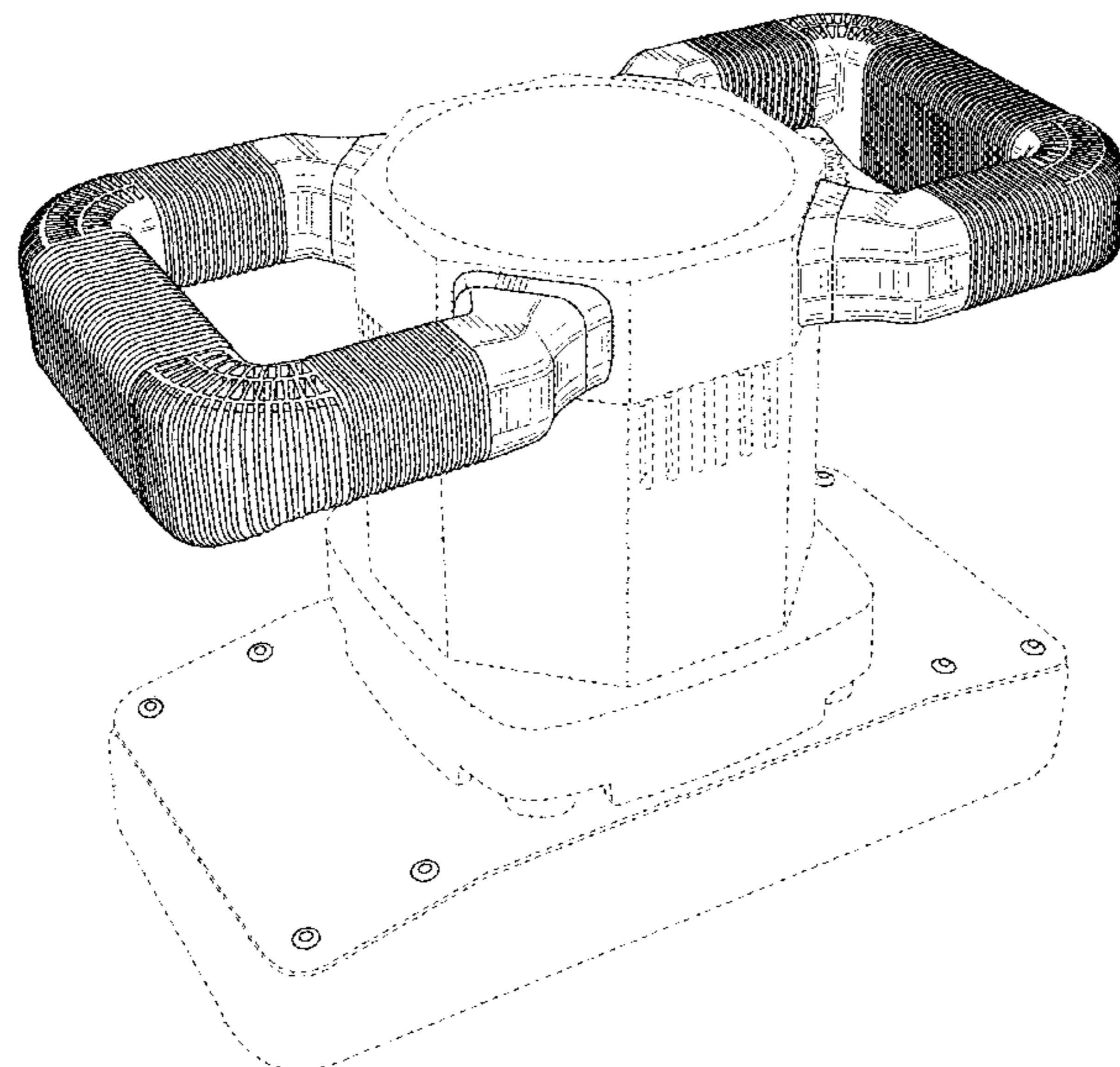
FIG. 6 is a top elevational view thereof; and,

FIG. 7 is a bottom elevational view thereof.

The thin solid lines in the views have been provided for the purpose of illustrating the uniformity of the planar surfaces and the contour of the surfaces and are not a claimed surface pattern.

The broken lines shown in the figures are for the purpose of illustrating environmental structure, which form no part of the claimed design.

1 Claim, 7 Drawing Sheets



(56)

References Cited

U.S. PATENT DOCUMENTS

D823,405	S *	7/2018	Roepke	D21/694
D892,239	S *	8/2020	Carmichael	D21/694
D898,135	S *	10/2020	Slater	D21/680
D899,533	S *	10/2020	Chiu	D21/662
D905,803	S *	12/2020	Kim	D21/662
D915,615	S *	4/2021	Chen	D24/211
D923,120	S *	6/2021	Smith	D21/682
2013/0157822	A1 *	6/2013	Wu	A63B 21/0414 482/139
2014/0011646	A1 *	1/2014	Wu	A63B 21/4035 482/122
2016/0144220	A1 *	5/2016	Wood	A63B 21/4035 482/93
2016/0193490	A1 *	7/2016	Chen	A63B 21/4035 482/126
2016/0339290	A1 *	11/2016	Eisenblaetter	A63B 21/4043
2020/0268594	A1 *	8/2020	Pepe	A61H 15/02
2020/0405574	A1 *	12/2020	Wersland	A61H 1/008
2021/0093503	A1 *	4/2021	Restiano	A61H 1/00
2021/0145689	A1 *	5/2021	Cheong	A61H 1/00

OTHER PUBLICATIONS

Bodyback, "Body Back Massager", Sep. 9, 2021. <https://www.bodyback.com/collections/all/products/vibe-dual-speed-professional-vibrating-electric-massage-tool>. Shown on p. 1. (Year: 2021).*

Amazon, "Vibe Massager", Apr. 28, 2020. https://www.amazon.com/Body-Back-Variable-Massager-Chiropractic/dp/B085Z3L8TY/ref=sr_1_1_sspa?dchild=1&keywords=Body+Back+Vibe&qid=1631203671&sr=8-1-spons&psc=1&spLa=ZW5jenlwdGVkUXVh bGlmaWVyPUEzTTIYMTIFT0pHSUIFJmVuY3J5cHRIZElkPUE wMzEwNjI4MINKSUM0QTIES1B. (Year: 2020).*

* cited by examiner

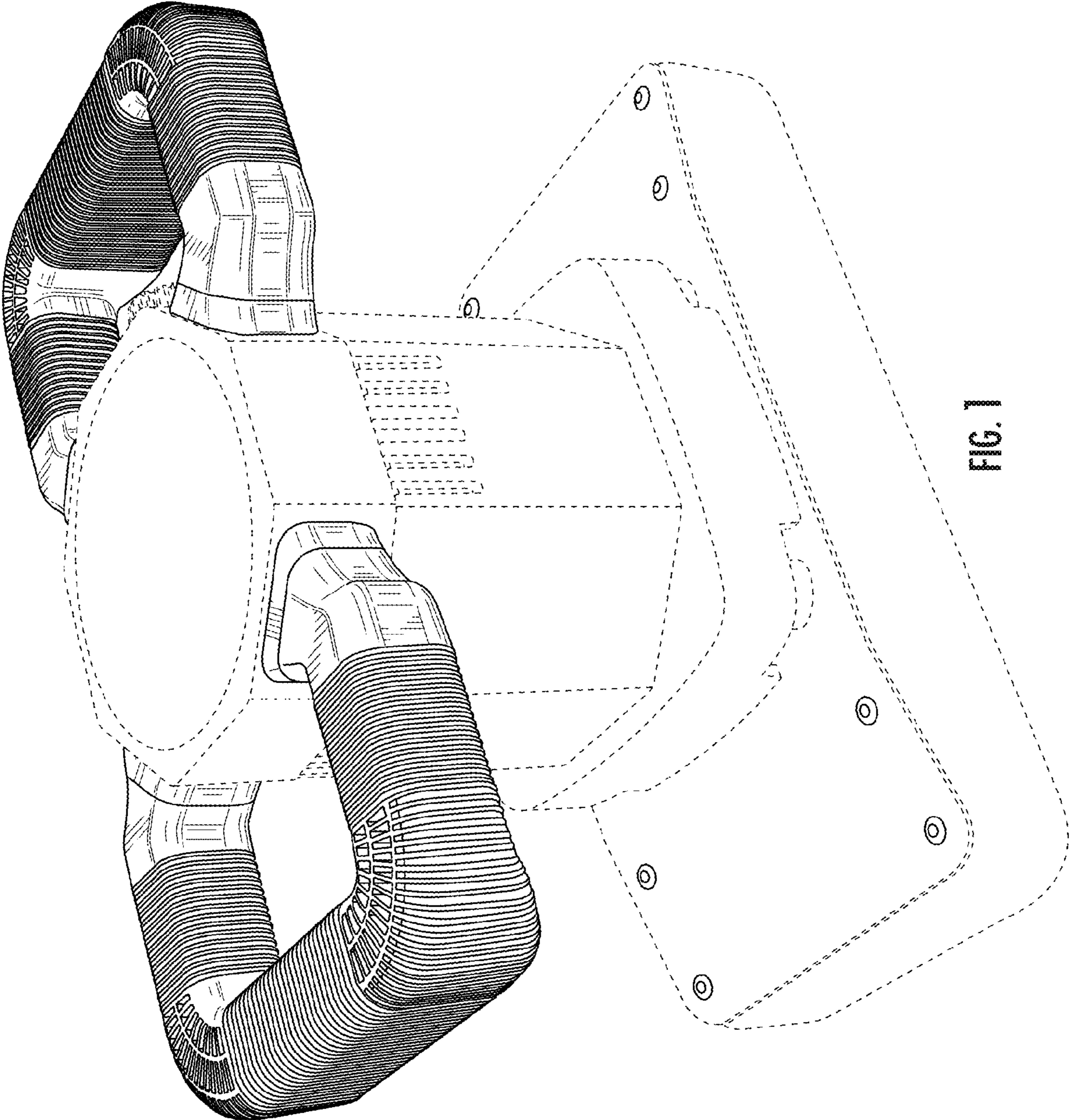
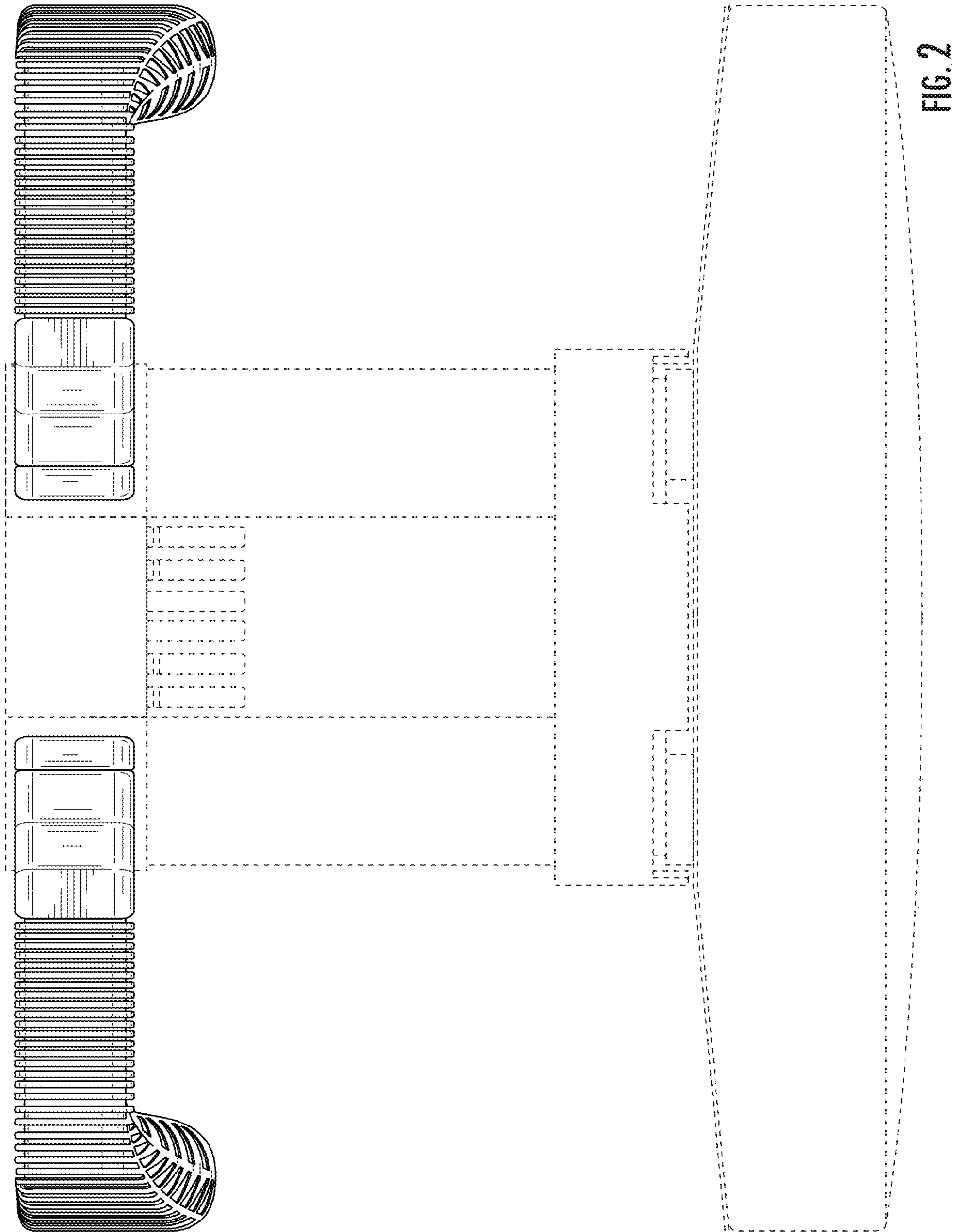


FIG. 1



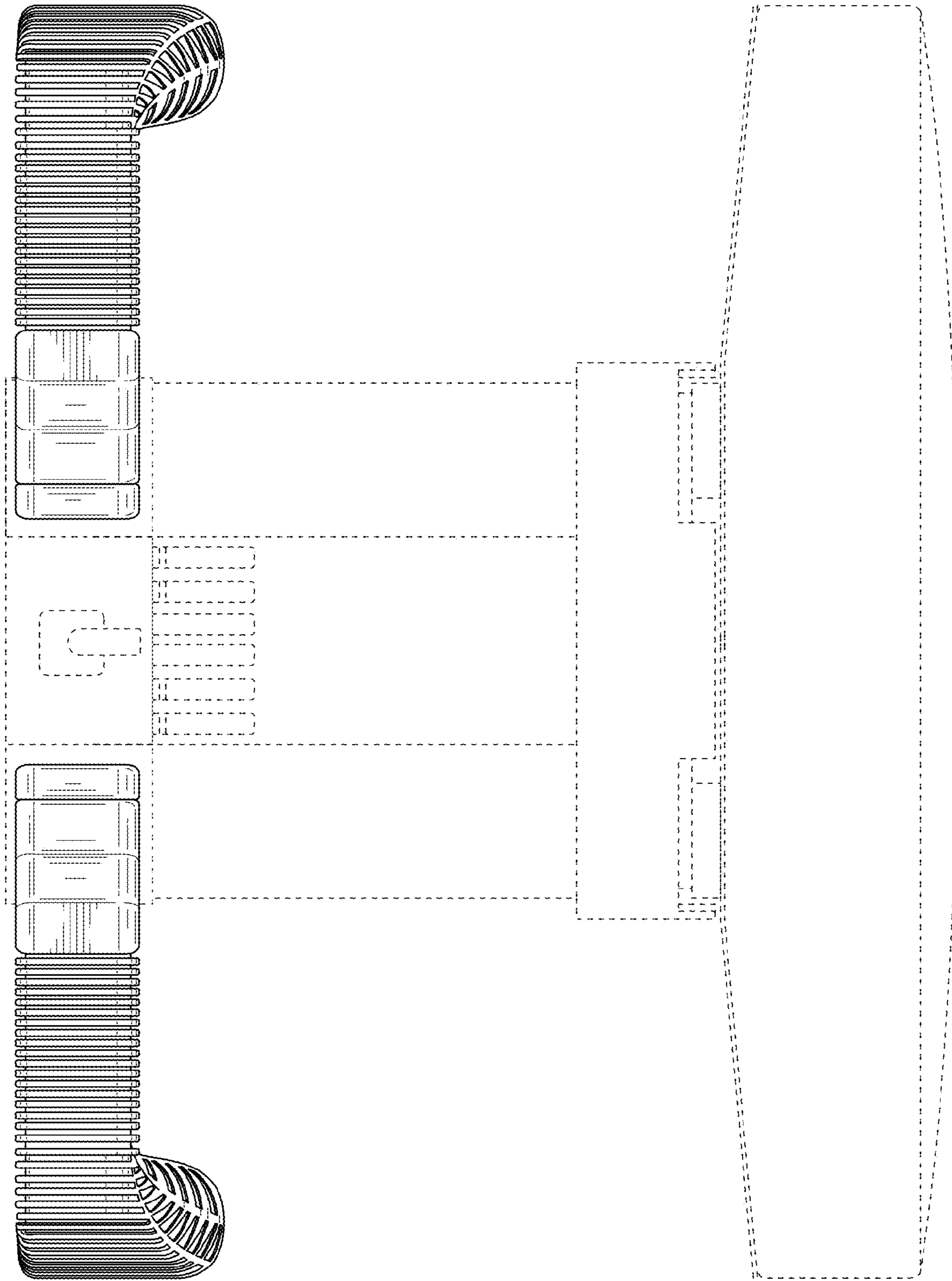


FIG. 3

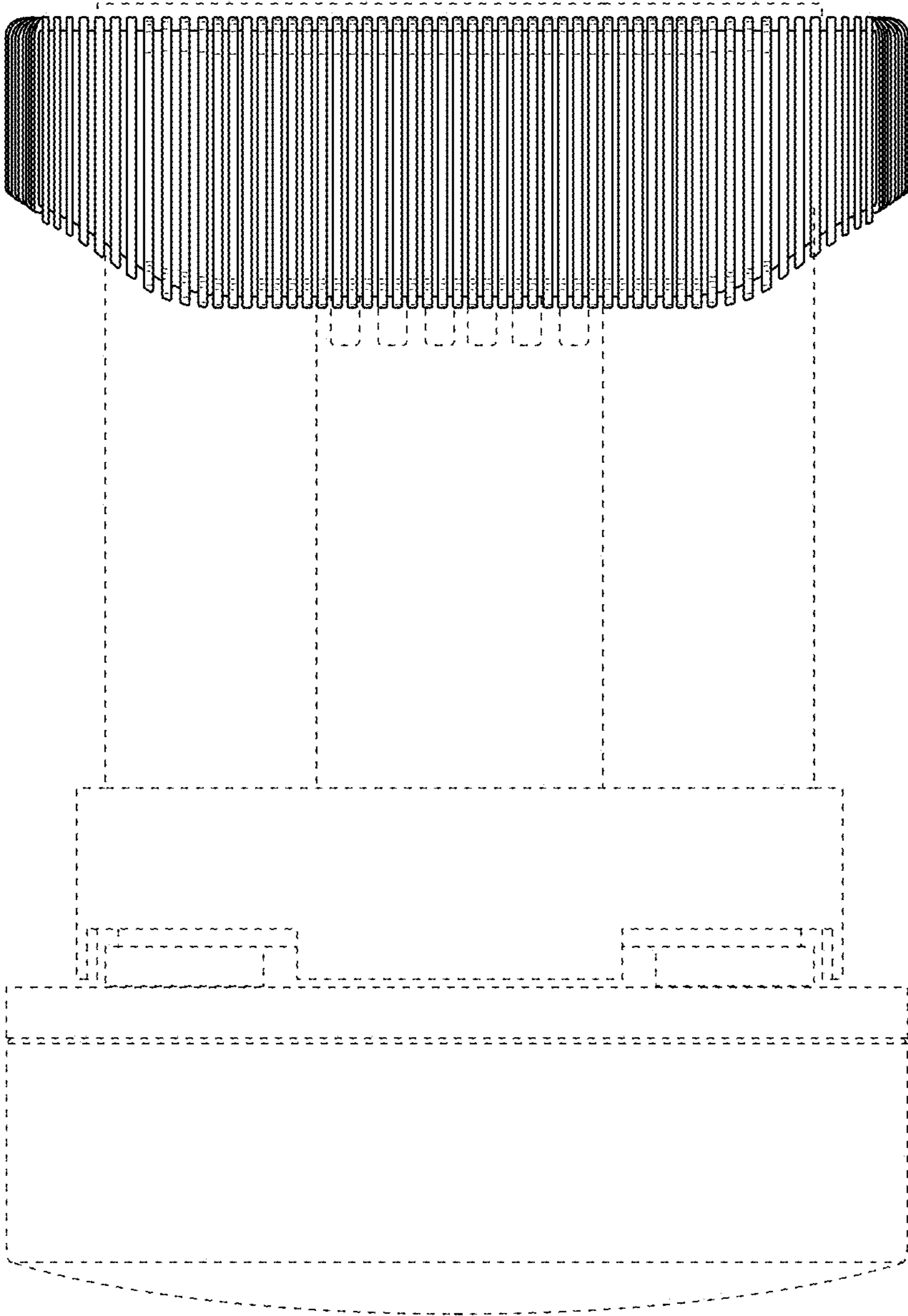


FIG. 4

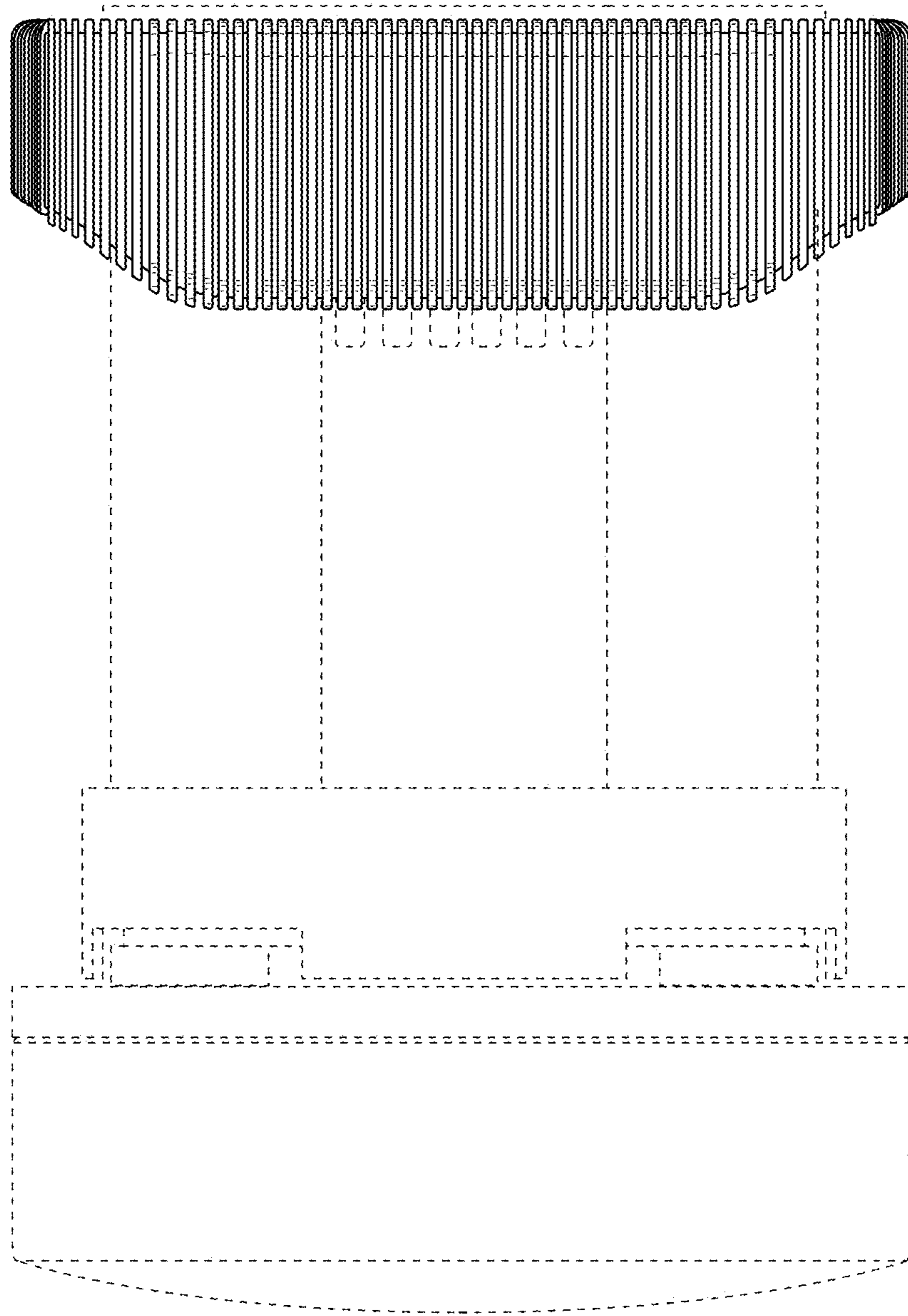


FIG. 5

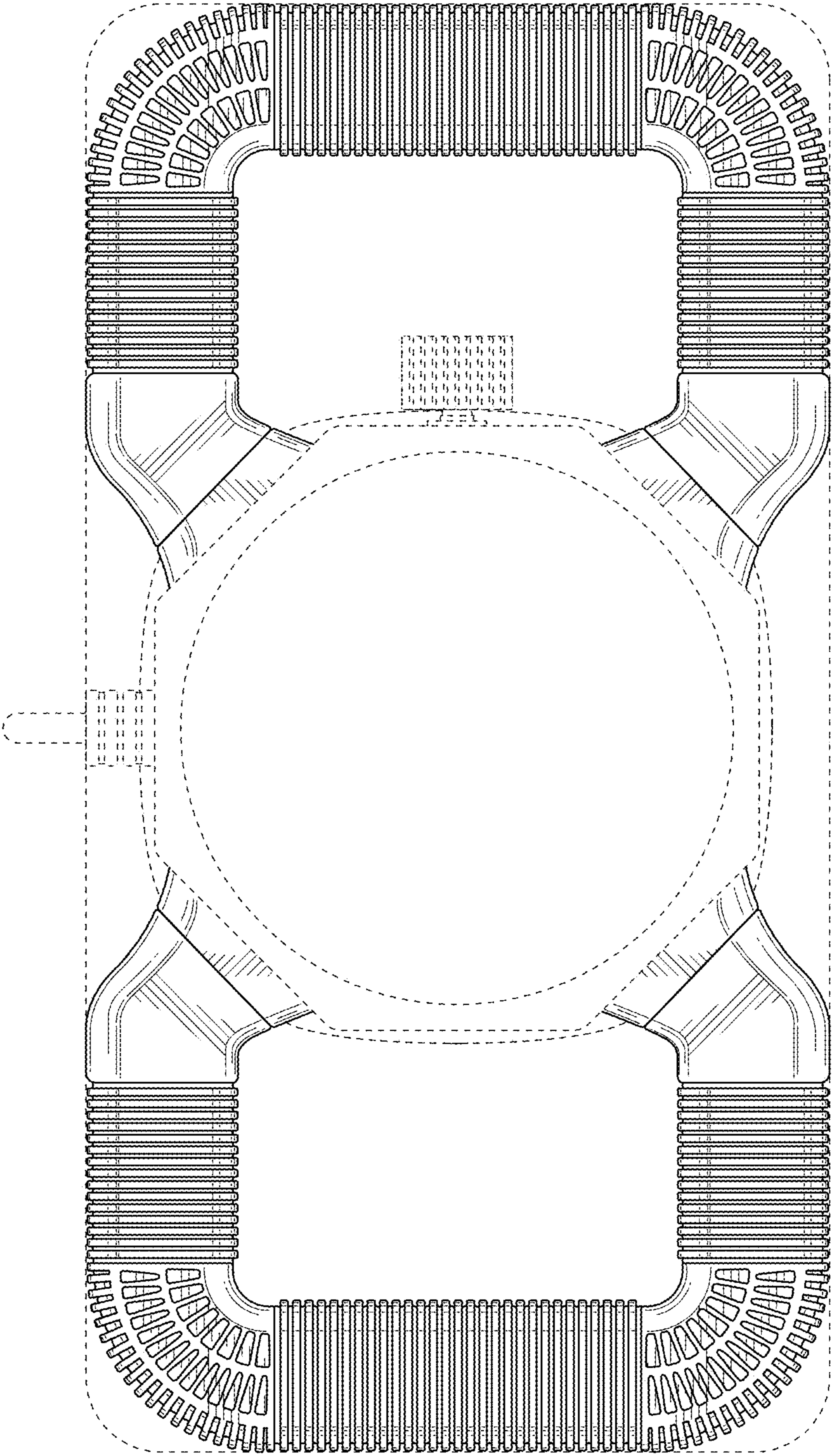


FIG. 6

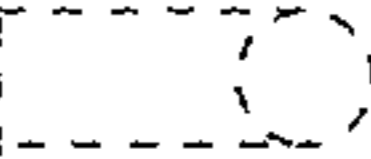


FIG. 7