



US00D950087S

(12) **United States Design Patent**
Shu

(10) **Patent No.:** **US D950,087 S**

(45) **Date of Patent:** **** Apr. 26, 2022**

(54) **MESSAGE APPLIANCE**

(71) Applicant: **Li-Feng Shu**, Yongkang (CN)

(72) Inventor: **Li-Feng Shu**, Yongkang (CN)

(**) Term: **15 Years**

(21) Appl. No.: **29/717,105**

(22) Filed: **Dec. 14, 2019**

(30) **Foreign Application Priority Data**

Jun. 17, 2019 (CN) 201930312107.3

(51) **LOC (13) Cl.** **28-03**

(52) **U.S. Cl.**
USPC **D24/215**

(58) **Field of Classification Search**
USPC D24/200, 211, 212, 213, 214, 215;
D8/14.1
CPC A61H 2015/0014; A61H 15/00; A61H
2015/0042
See application file for complete search history.

(56) **References Cited**

U.S. PATENT DOCUMENTS

D616,558 S *	5/2010	Tsai	D24/200
D855,822 S *	8/2019	Marton	D24/215
D872,869 S *	1/2020	Lu	D24/215
D874,015 S *	1/2020	Marton	D24/215
D875,961 S *	2/2020	Li	D24/211
D877,351 S *	3/2020	Wersland	D24/215
D879,985 S *	3/2020	Wersland	D24/214
D879,986 S *	3/2020	Wersland	D24/214
D880,714 S *	4/2020	Wersland	D24/215
D880,715 S *	4/2020	Wersland	D24/215
D880,716 S *	4/2020	Wersland	D24/215
D884,205 S *	5/2020	Zhuang	D24/215
D884,207 S *	5/2020	Ma	D24/215
D884,915 S *	5/2020	Wersland	D24/215
D885,601 S *	5/2020	Wersland	D24/215
D886,317 S *	6/2020	Marton	D24/215

D887,573 S *	6/2020	Wersland	D24/215
D893,738 S *	8/2020	Zhuang	D24/215
D895,133 S *	9/2020	Xu	D24/215
D895,135 S *	9/2020	Xu	D24/215
D895,831 S *	9/2020	Chen	D24/215
D896,396 S *	9/2020	Wersland	D24/215
D898,209 S *	10/2020	Xu	D24/214
D898,933 S *	10/2020	Xu	D24/215
D899,620 S *	10/2020	Huang	D24/215
D905,863 S *	12/2020	Lin	D24/215
D906,533 S *	12/2020	Xu	D24/215
D907,229 S *	1/2021	Zhang	D24/215
D907,230 S *	1/2021	Zhang	D24/215
D908,908 S *	1/2021	Xu	D24/215
2018/0200141 A1 *	7/2018	Wersland	A61H 23/006

OTHER PUBLICATIONS

Amazon, "Percussion Massage Muscle Gun", Jan. 29, 2020. https://www.amazon.com/Handheld-Percussion-Massager-Electric-Mebak/dp/B083FP3MZB/ref=cm_cr_ar_p_d_product_top?ie=UTF8. Shown on p. 1. (Year: 2020).*

* cited by examiner

Primary Examiner — Michael A Maharajh

(74) *Attorney, Agent, or Firm* — W&KIP

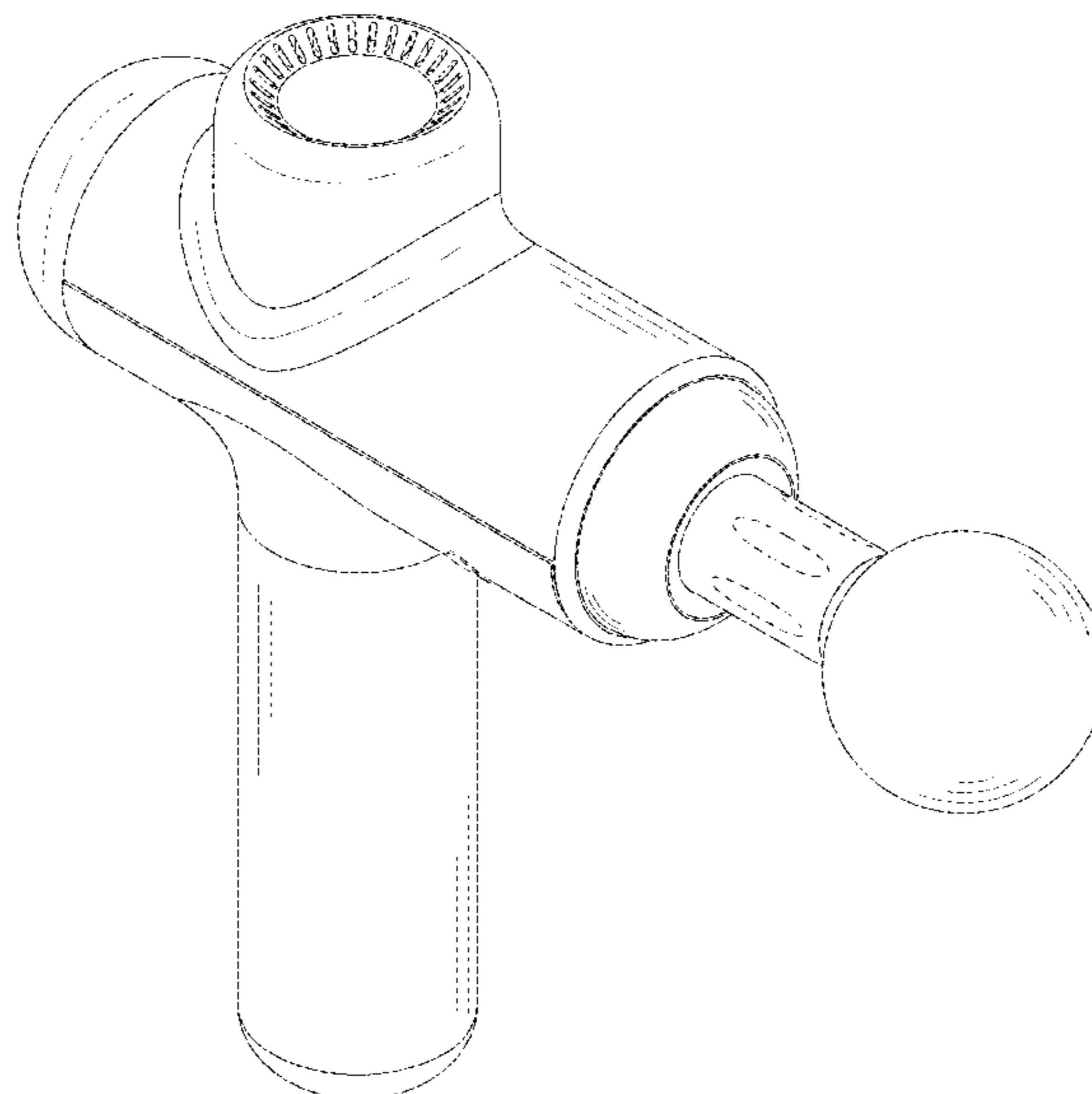
(57) **CLAIM**

The ornamental design for a massage appliance, as shown and described.

DESCRIPTION

FIG. 1 is a perspective view of a massage appliance, showing my new design;
FIG. 2 is a front elevational view thereof;
FIG. 3 is a top plan view thereof;
FIG. 4 is a left side elevational view thereof;
FIG. 5 is a rear elevational view thereof;
FIG. 6 is a right side view thereof; and,
FIG. 7 is a bottom plan view thereof.

1 Claim, 7 Drawing Sheets



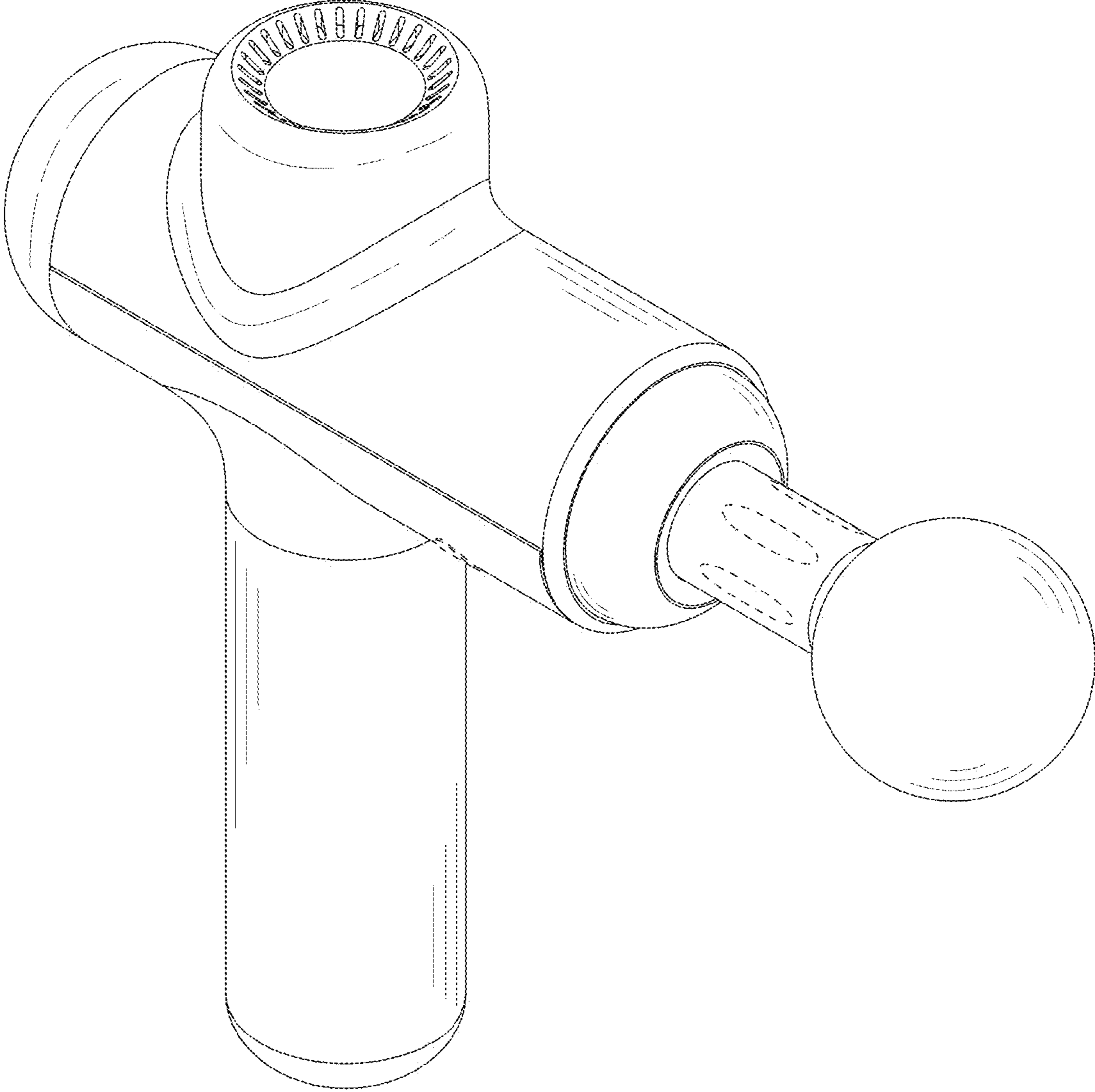


FIG.1

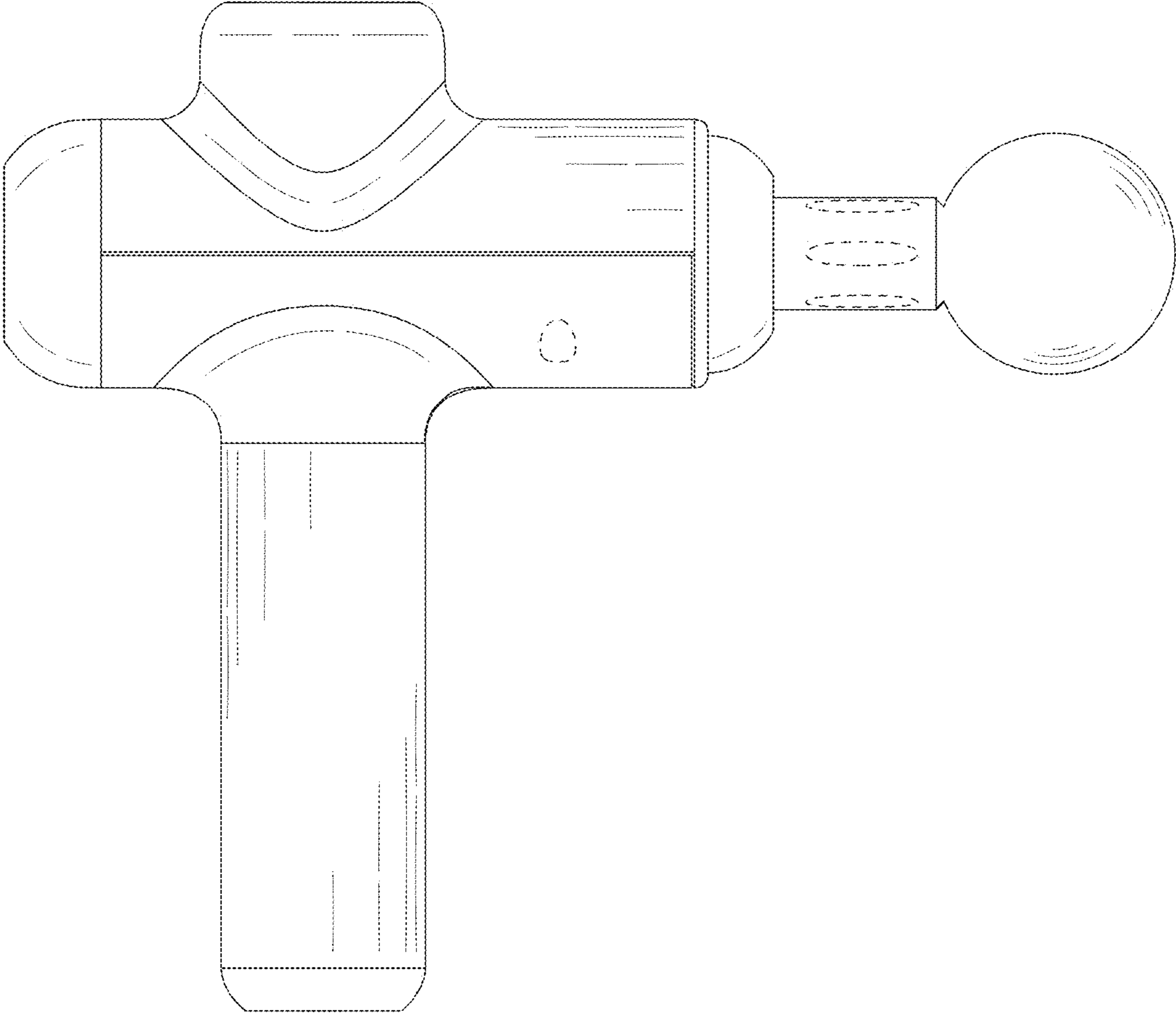


FIG.2

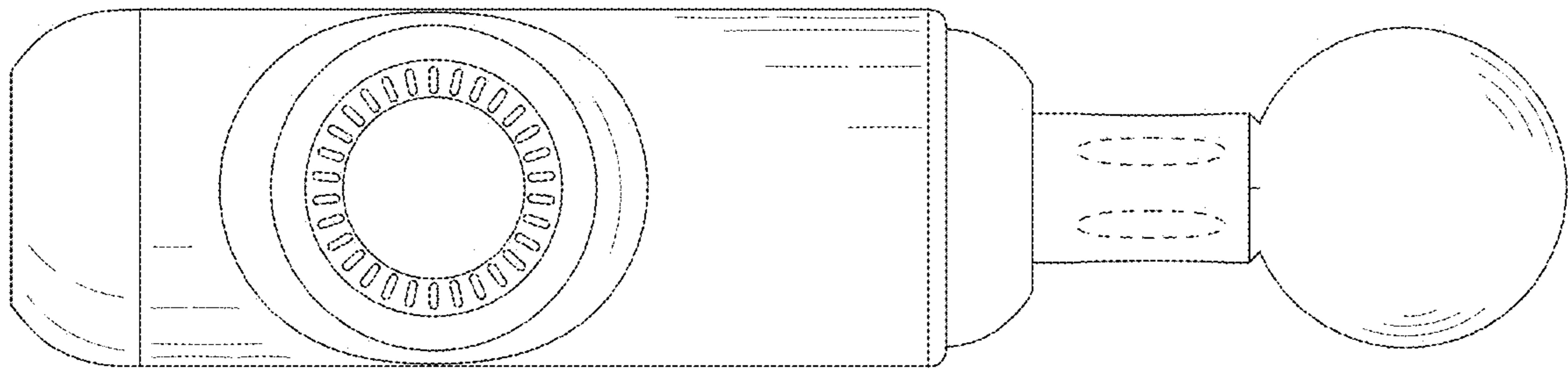


FIG.3

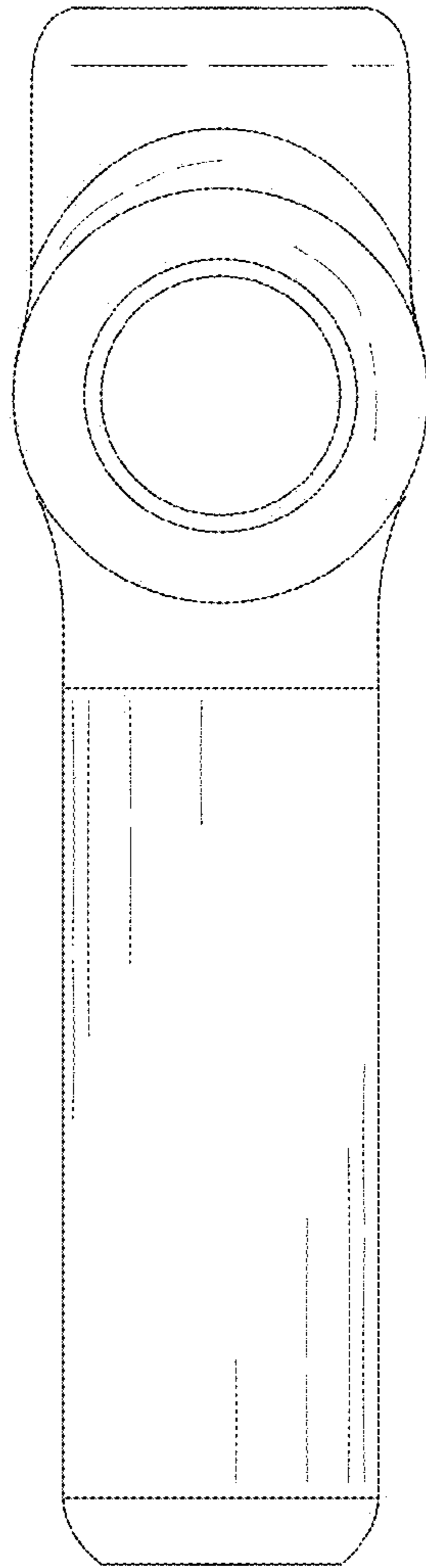


FIG.4

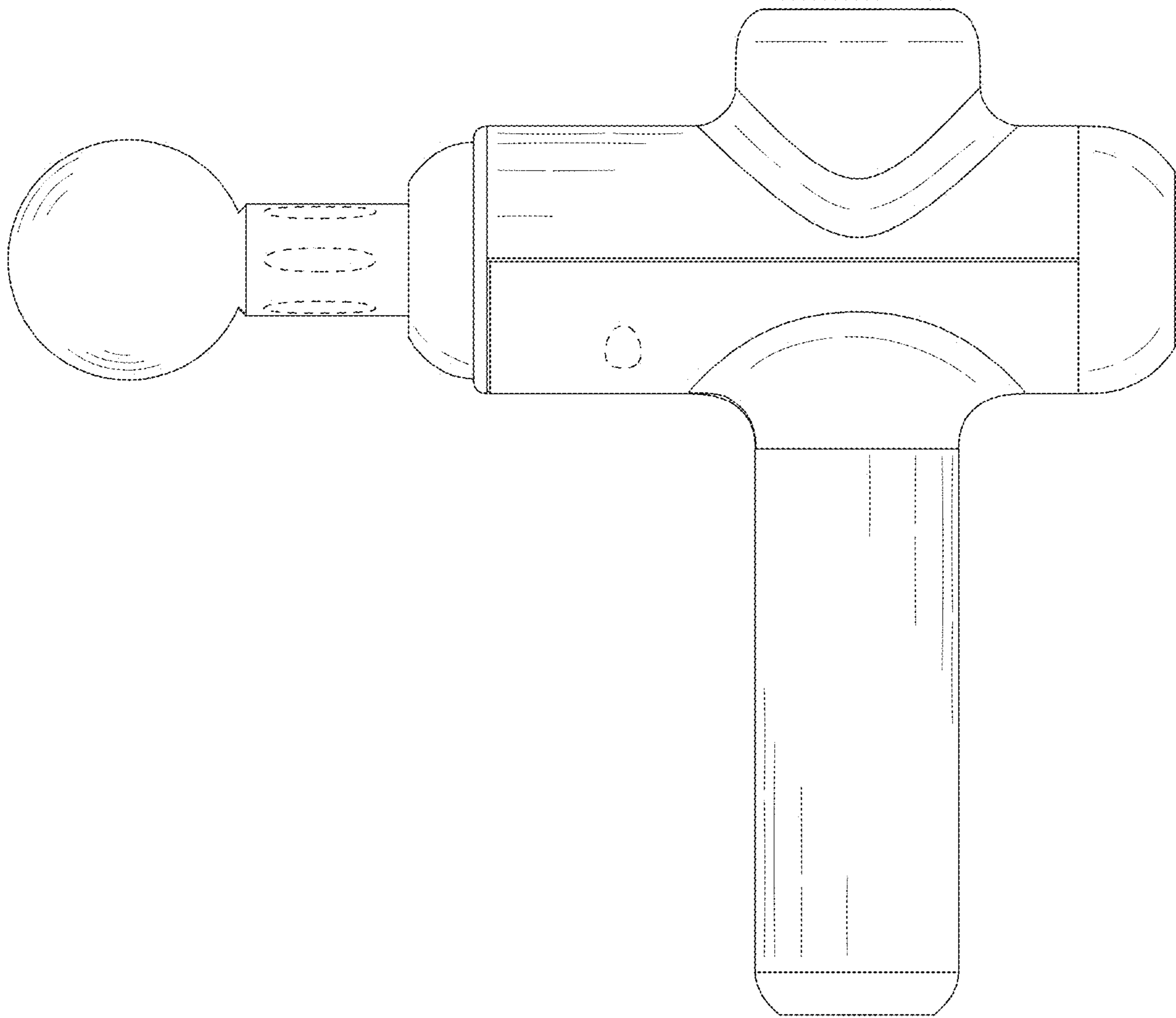


FIG.5

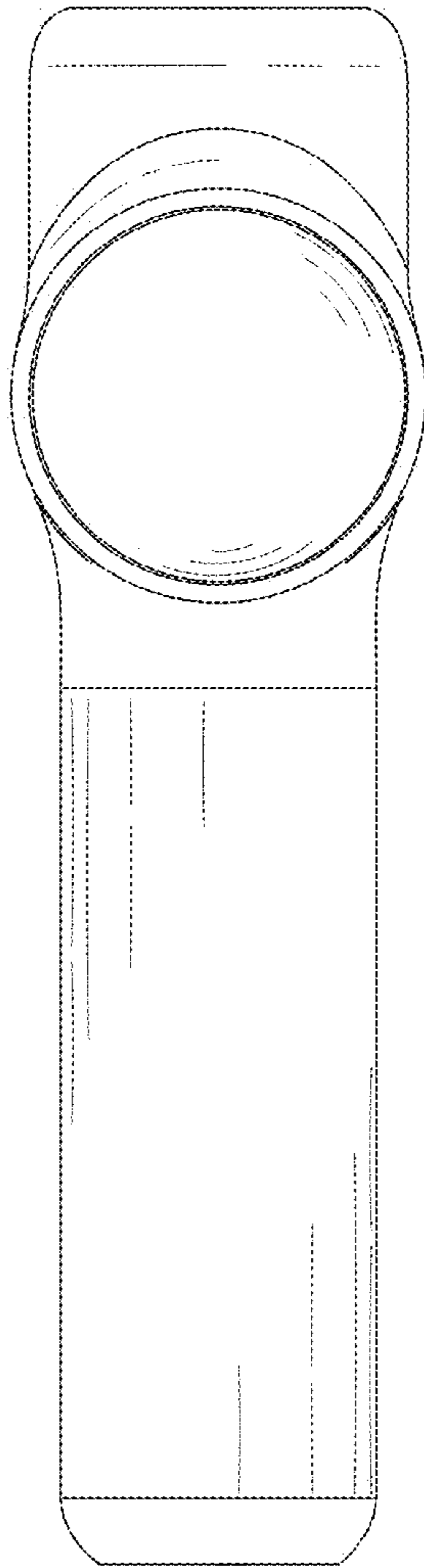


FIG.6

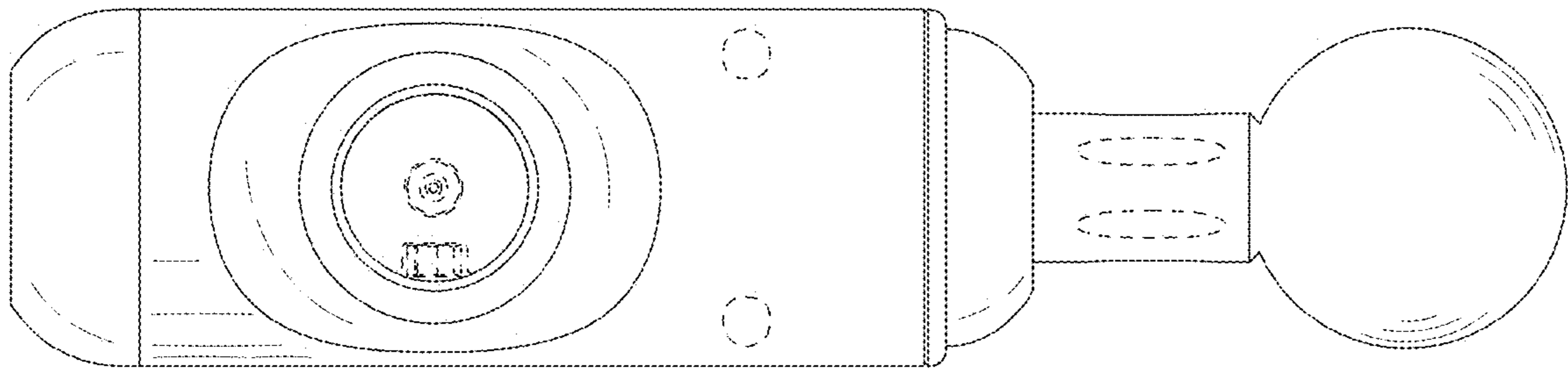


FIG.7