



US00D950086S

(12) **United States Design Patent** (10) **Patent No.:** **US D950,086 S**
Alonzo (45) **Date of Patent:** **** Apr. 26, 2022**

(54) **DILDO STAND**
(71) Applicant: **Steve Alonzo**, Conroe, TX (US)
(72) Inventor: **Steve Alonzo**, Conroe, TX (US)
(**) Term: **15 Years**
(21) Appl. No.: **29/652,226**
(22) Filed: **Jun. 16, 2020**
(51) **LOC (13) Cl.** **28-03**
(52) **U.S. Cl.**
USPC **D24/215; D24/231**
(58) **Field of Classification Search**
USPC D24/215, 199, 227, 231; D6/680.3,
D6/681.2; D7/601, 602, 632, 701
CPC A47B 73/00; A47B 81/007; A61H
2201/1652
See application file for complete search history.

D817,728 S * 5/2018 Brown D7/701
D828,572 S * 9/2018 Lieberman A61H 23/02
D24/215
D839,694 S * 2/2019 Pollard D7/701
D883,037 S * 5/2020 Stachurski D7/601
D893,739 S * 8/2020 Li D24/215
D898,211 S * 10/2020 Lampert D24/215
D905,514 S * 12/2020 Sanders D7/701
D908,907 S * 1/2021 Lampert D24/215
D914,226 S * 3/2021 Rakshit D24/215
10,980,341 B1 * 4/2021 Van Pelt A47B 73/006
D925,053 S * 7/2021 Callow A61H 19/50
D24/215
2008/0308508 A1 * 12/2008 Fischer B65D 25/04
211/2
2014/0239022 A1 * 8/2014 Dovell A47B 73/00
224/148.4

* cited by examiner

Primary Examiner — Michael A Maharajh
(74) *Attorney, Agent, or Firm* — Dunlap Bennett & Ludwig, PLLC

(56) **References Cited**
U.S. PATENT DOCUMENTS

D261,201 S 10/1981 Blake
D290,673 S * 7/1987 Imatt D7/619.1
D292,657 S * 11/1987 Wightman D7/701
7,287,653 B2 * 10/2007 Rhodes A47B 73/006
211/74
D642,956 S 8/2011 Atkisson
D725,418 S 3/2015 Lee
D725,419 S 3/2015 Lee
D725,420 S 3/2015 Lee
D725,421 S 3/2015 Lee
D725,422 S 3/2015 Lee
9,131,794 B2 * 9/2015 McClain A47G 23/02
D779,479 S 2/2017 Whitehead
D791,520 S 7/2017 Hu

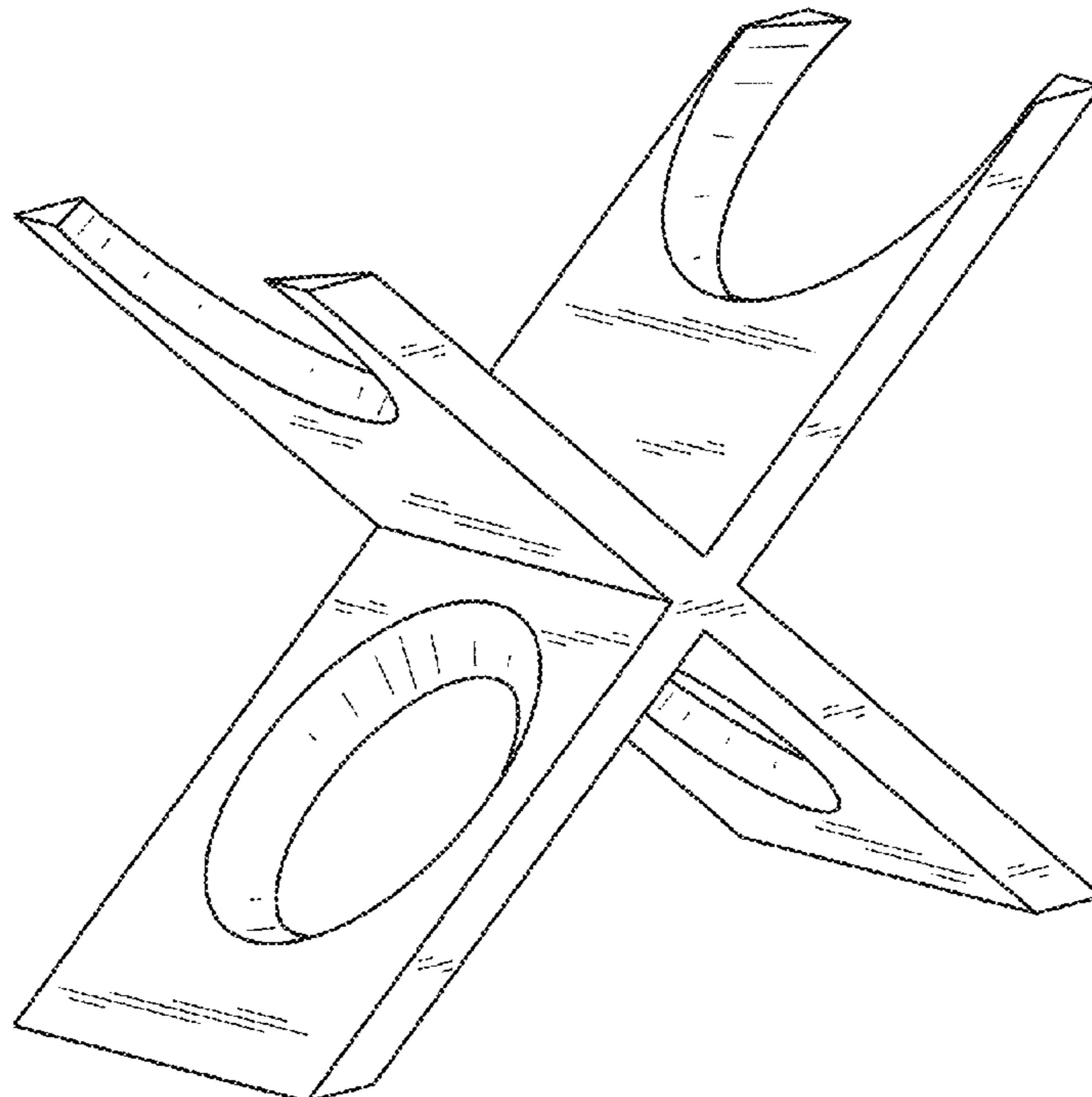
(57) **CLAIM**

The ornamental design for a dildo stand, as shown and described.

DESCRIPTION

FIG. 1 is a front perspective view of a dildo stand showing my new design;
FIG. 2 is a front elevation view, the rear elevation view being a mirror image thereof;
FIG. 3 is a left side elevation view, the right side elevation view being a mirror image thereof; and,
FIG. 4 is a top plan view thereof.

1 Claim, 2 Drawing Sheets



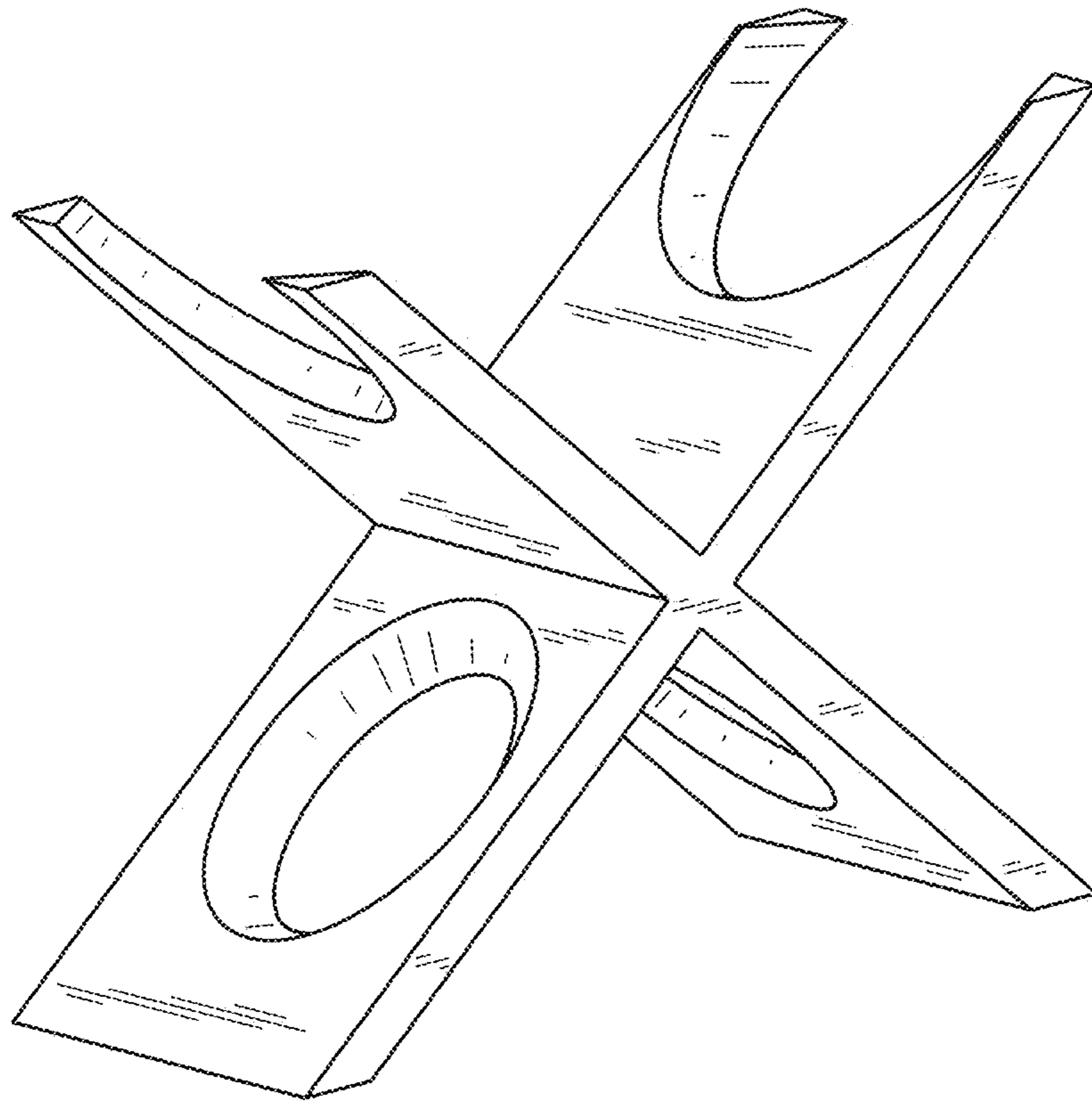


FIG. 1

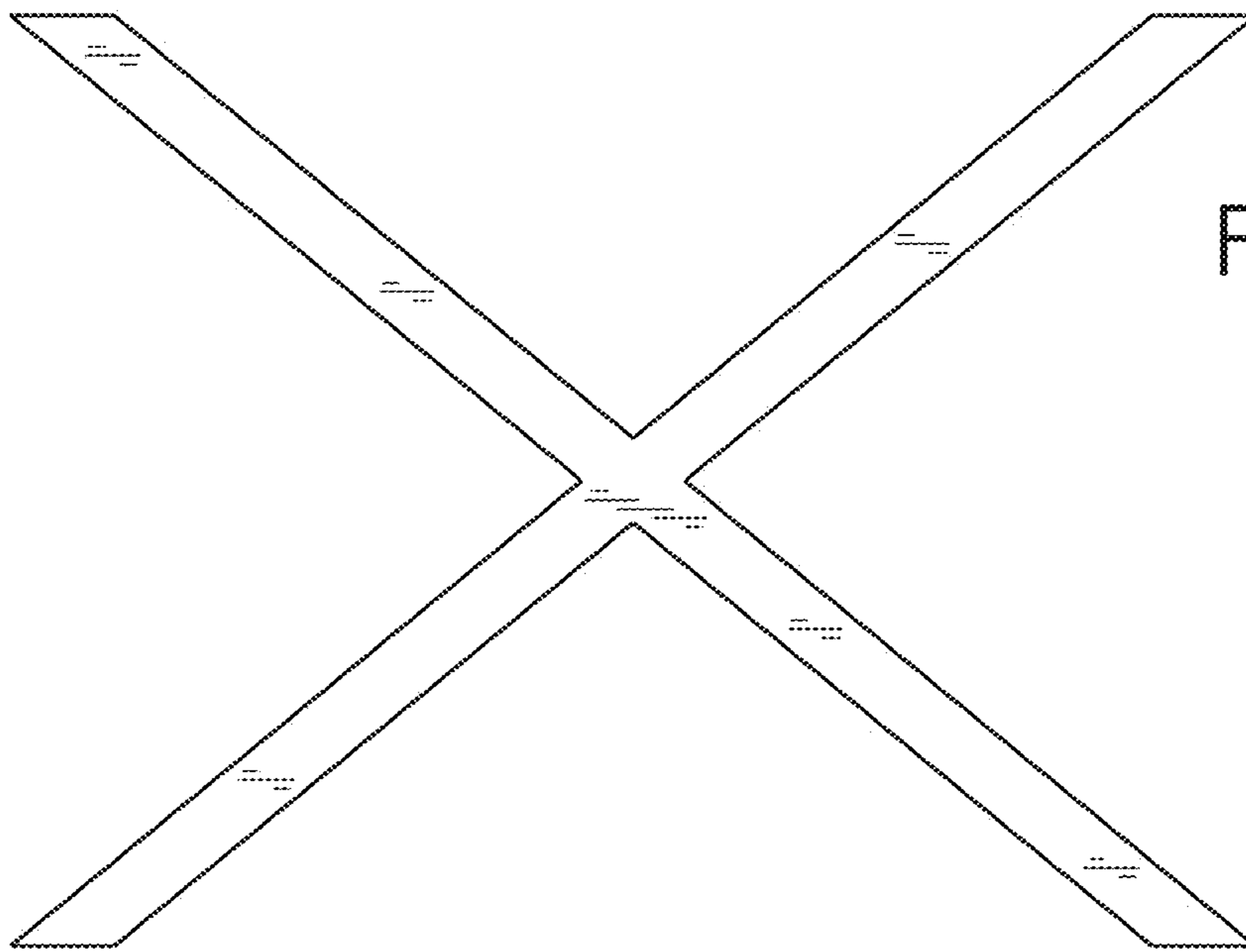


FIG. 2

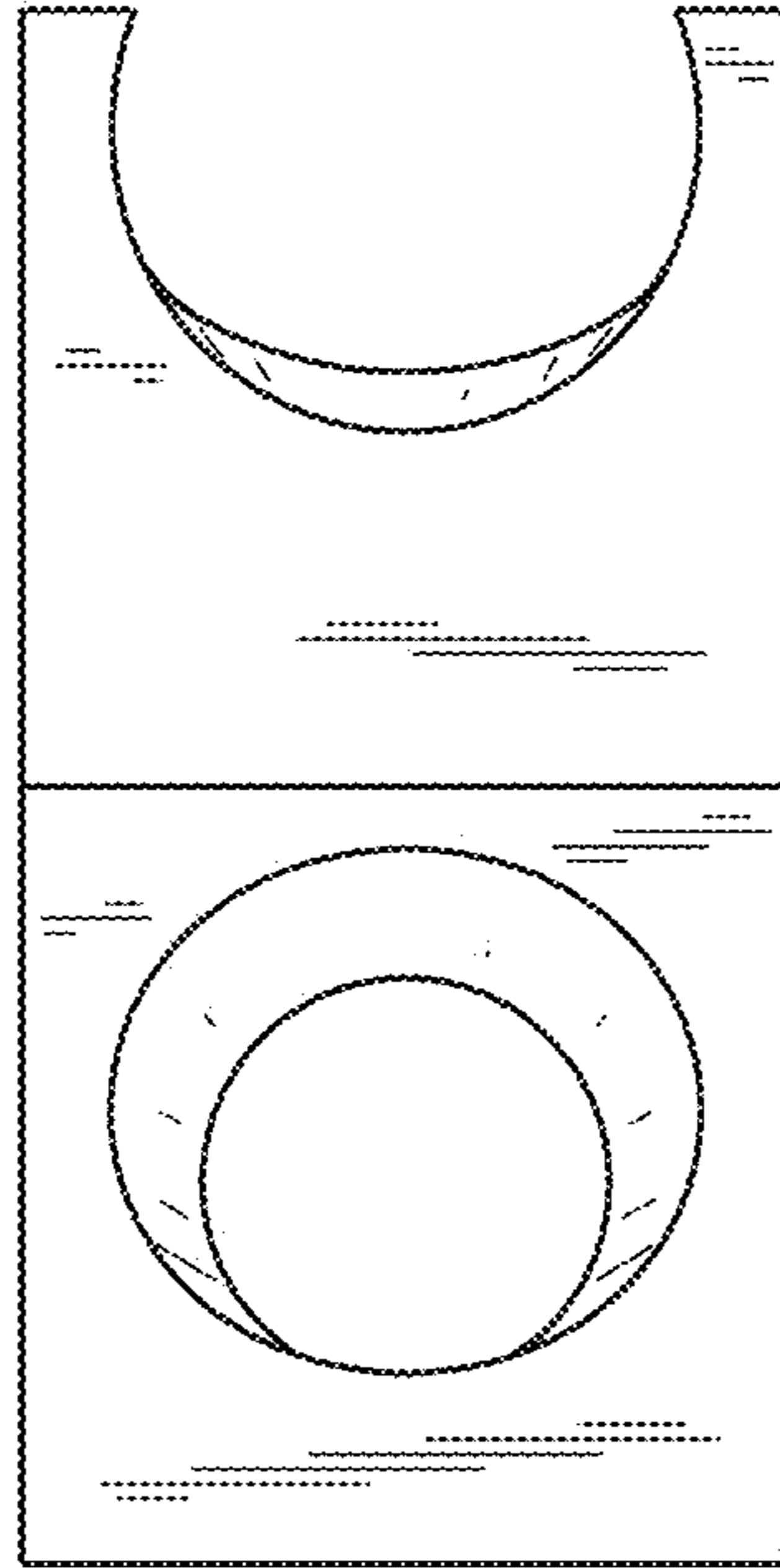


FIG. 3

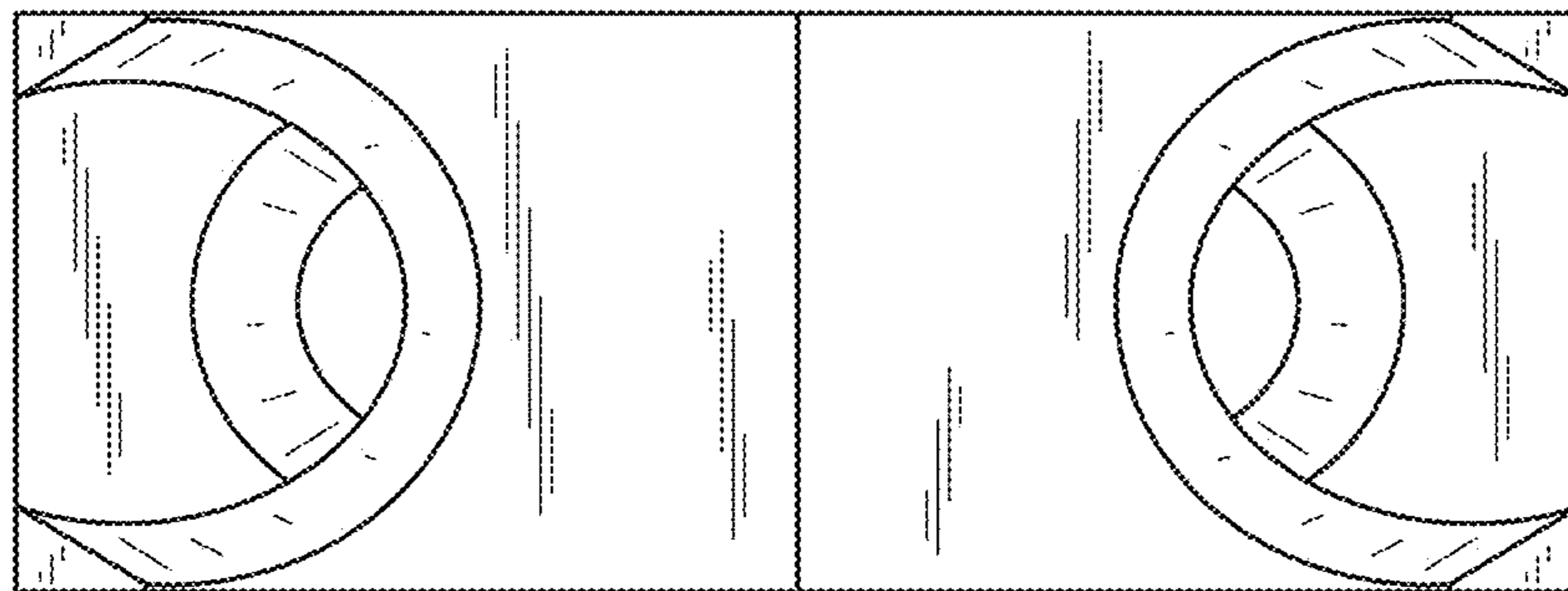


FIG. 4