



US00D950085S

(12) **United States Design Patent** (10) **Patent No.:** **US D950,085 S**
Zhu (45) **Date of Patent:** **** Apr. 26, 2022**

(54) **MESSAGE APPARATUS**
(71) Applicant: **SUZHOU JUHEXIANG ELECTRONICS CO., LTD.**, Suzhou (CN)
(72) Inventor: **Ayong Zhu**, Suzhou (CN)
(73) Assignee: **SUZHOU JUHEXIANG ELECTRONICS CO., LTD.**, Suzhou (CN)
(**) Term: **15 Years**
(21) Appl. No.: **29/696,281**
(22) Filed: **Jun. 26, 2019**
(30) **Foreign Application Priority Data**
Jan. 9, 2019 (KR) 30-2019-0001189
(51) **LOC (13) Cl.** **28-03**
(52) **U.S. Cl.**
USPC **D24/214**
(58) **Field of Classification Search**
USPC D24/200, 211, 212, 213, 214, 215;
D8/14.1
CPC A61H 9/00; A61H 9/0021; A61N
2007/0034; A61N 5/0616
See application file for complete search history.

(56) **References Cited**
U.S. PATENT DOCUMENTS
D855,822 S * 8/2019 Marton D24/215
D863,571 S * 10/2019 Yang D24/200
D872,869 S * 1/2020 Lu D24/215
D873,432 S * 1/2020 Duan D24/214
D874,015 S * 1/2020 Marton D24/215
D875,961 S * 2/2020 Li D24/211
D877,351 S * 3/2020 Wersland D24/215
D879,985 S * 3/2020 Wersland D24/214
D879,986 S * 3/2020 Wersland D24/214

D880,714 S * 4/2020 Wersland D24/215
D880,715 S * 4/2020 Wersland D24/215
D880,716 S * 4/2020 Wersland D24/215
D884,205 S * 5/2020 Zhuang D24/215
D884,207 S * 5/2020 Ma D24/215
D884,915 S * 5/2020 Wersland D24/215
D885,601 S * 5/2020 Wersland D24/215
(Continued)

OTHER PUBLICATIONS

Youtube, "Recovery Volt Professional Hand Held Massage Gun", Jan. 30, 2020. <https://www.youtube.com/watch?v=pnmdRJtJAqc>. Shown at the 00:22 second mark. (Year: 2020).*
(Continued)

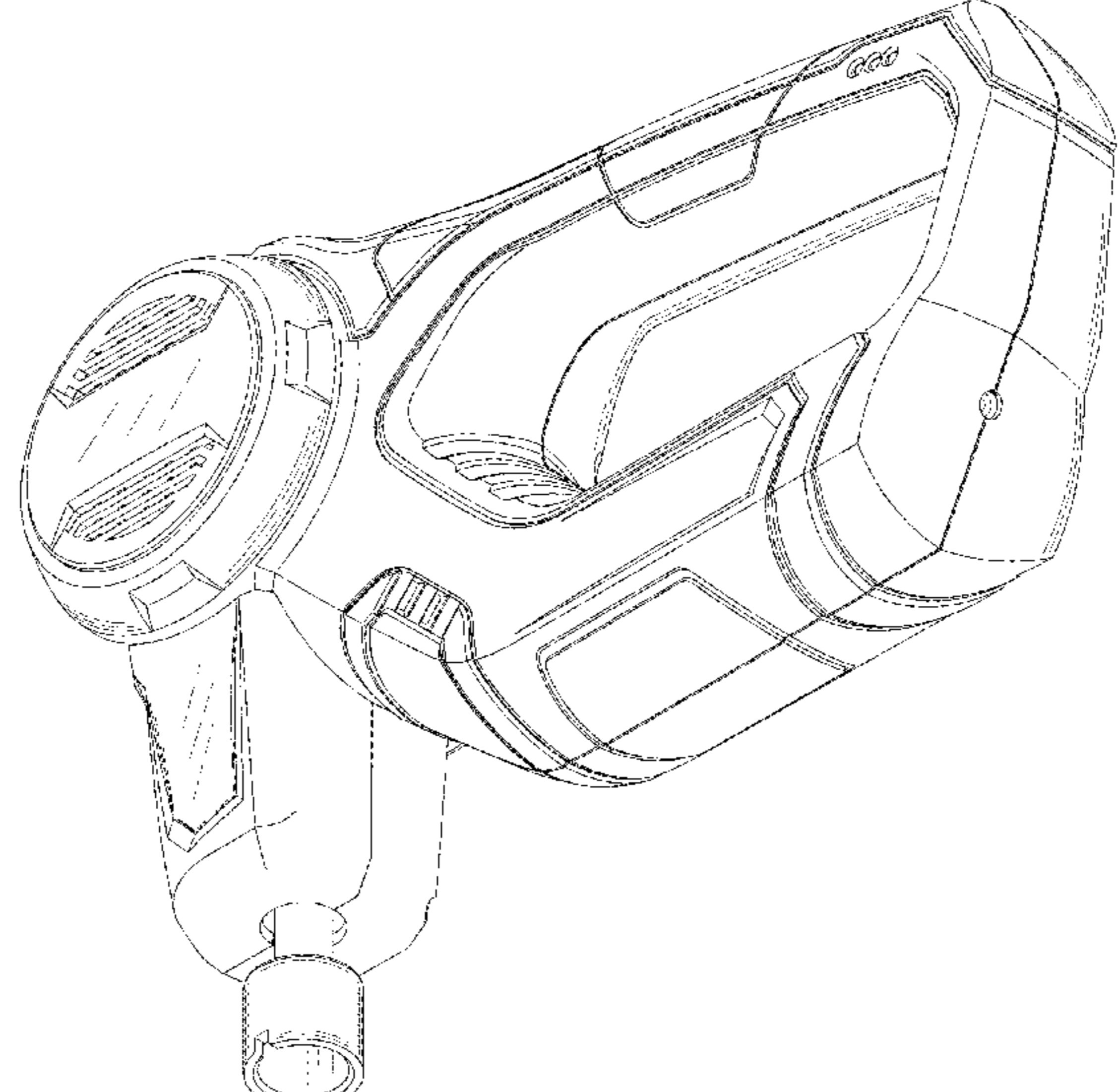
Primary Examiner — Michael A Maharajh
(74) *Attorney, Agent, or Firm* — Chun-Ming Shih;
Lanway IPR Services

(57) **CLAIM**
The ornamental design for a massage apparatus, as shown and described.

DESCRIPTION

FIG. 1 is a perspective view of a massage apparatus showing my new design;
FIG. 2 is a front view thereof;
FIG. 3 is a rear view thereof;
FIG. 4 is a left side view thereof;
FIG. 5 is a right side view thereof;
FIG. 6 is a top view thereof;
FIG. 7 is a bottom view thereof;
FIG. 8 is another perspective view showing the massage apparatus; and,
FIG. 9 is still another perspective view showing the massage apparatus.
The broken lines shown in the figures are for the purpose of illustrating portions of the massage apparatus, which form no part of the claimed design.

1 Claim, 9 Drawing Sheets



(56)

References Cited

U.S. PATENT DOCUMENTS

D886,317 S * 6/2020 Marton D24/215
D887,573 S * 6/2020 Wersland D24/215
10,714,953 B1 * 7/2020 Solana H02J 7/0044
D893,738 S * 8/2020 Zhuang D24/215
D895,132 S * 9/2020 Hu D24/215
D895,133 S * 9/2020 Xu D24/215
D895,135 S * 9/2020 Xu D24/215
D895,829 S * 9/2020 Hu D24/215
D896,396 S * 9/2020 Wersland D24/215
D898,209 S * 10/2020 Xu D24/214
D898,933 S * 10/2020 Xu D24/215
D905,863 S * 12/2020 Lin D24/215
D906,533 S * 12/2020 Xu D24/215
2016/0367425 A1 * 12/2016 Wersland A61H 1/008
2017/0304145 A1 * 10/2017 Pepe A61H 23/006
2020/0069510 A1 * 3/2020 Wersland A61H 15/0085
2020/0085675 A1 * 3/2020 Lee A61H 1/00
2020/0214930 A1 * 7/2020 Wersland A61H 1/00
2020/0261307 A1 * 8/2020 Wersland A61H 23/006
2020/0268594 A1 * 8/2020 Pepe A61H 15/02

OTHER PUBLICATIONS

Amazon, RecoveryVolt Massage Gun_UK, Feb. 18, 2019. https://www.amazon.co.uk/RecoveryVolt-Professional-Percussions-Attachments-Percussion/dp/B07L1CW8DH/ref=cm_cr_ar_p_d_product_top?ie=UTF8. Shown on p. 1. (Year: 2019).*

Amazon, RecoveryVolt Massage Gun, Feb. 18, 2019. https://www.amazon.com/RecoveryVolt-Professional-Percussions-Attachments-Percussion/dp/B07KY1W54K/ref=cm_cr_ar_p_d_product_top?ie=UTF8. Shown on p. 1. (Year: 2019).*

* cited by examiner

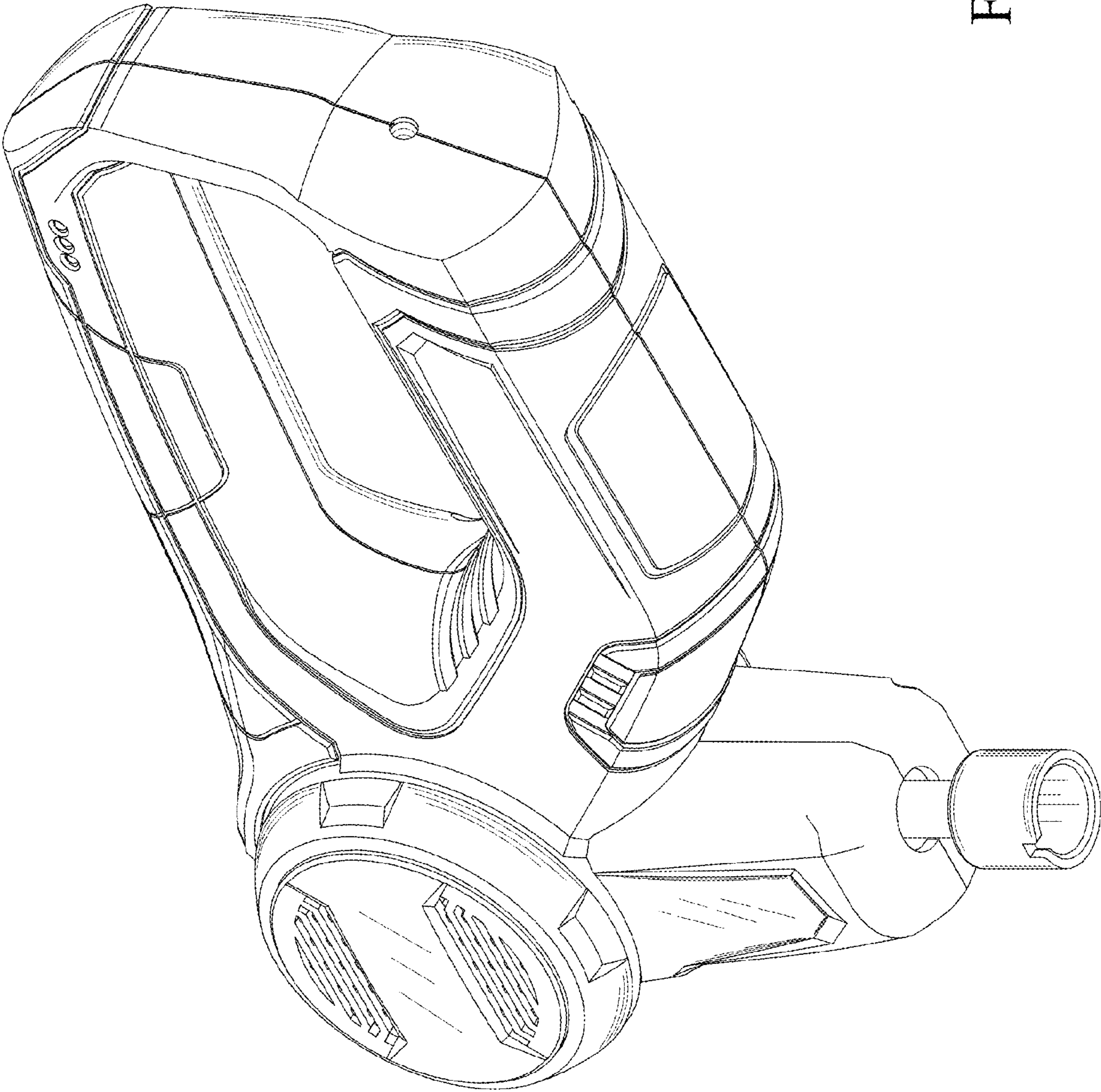


FIG.1

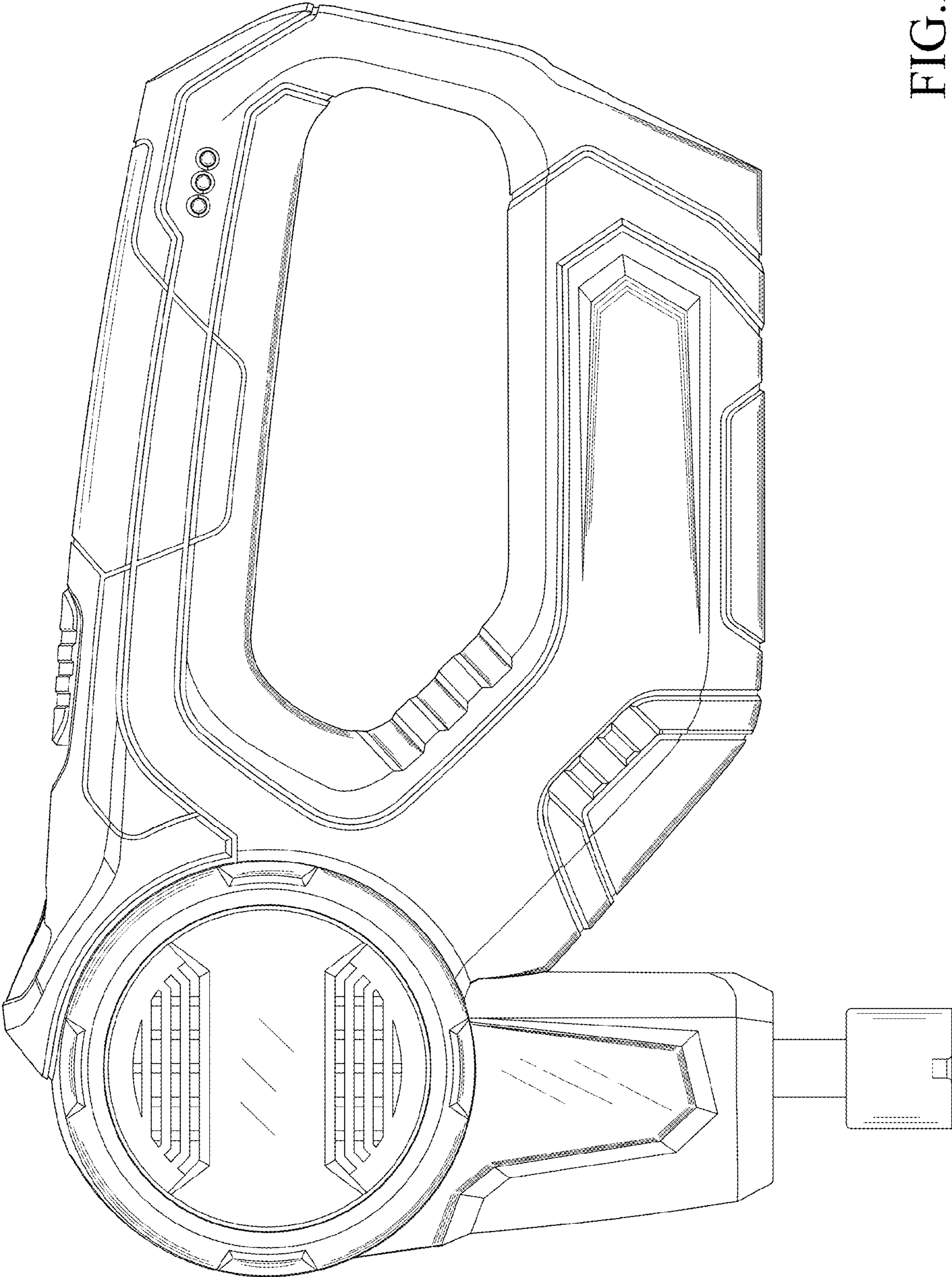


FIG.2

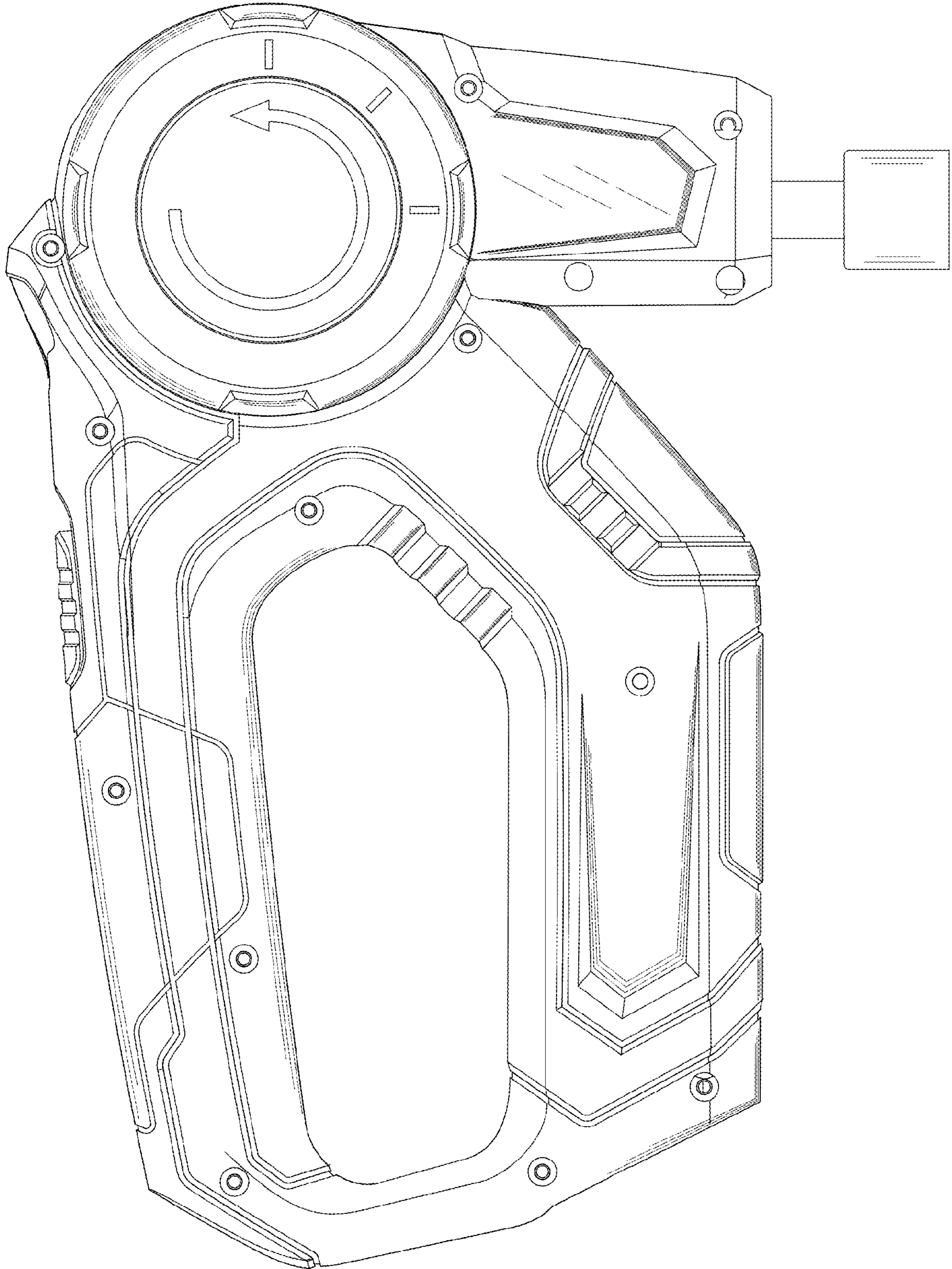


FIG.3

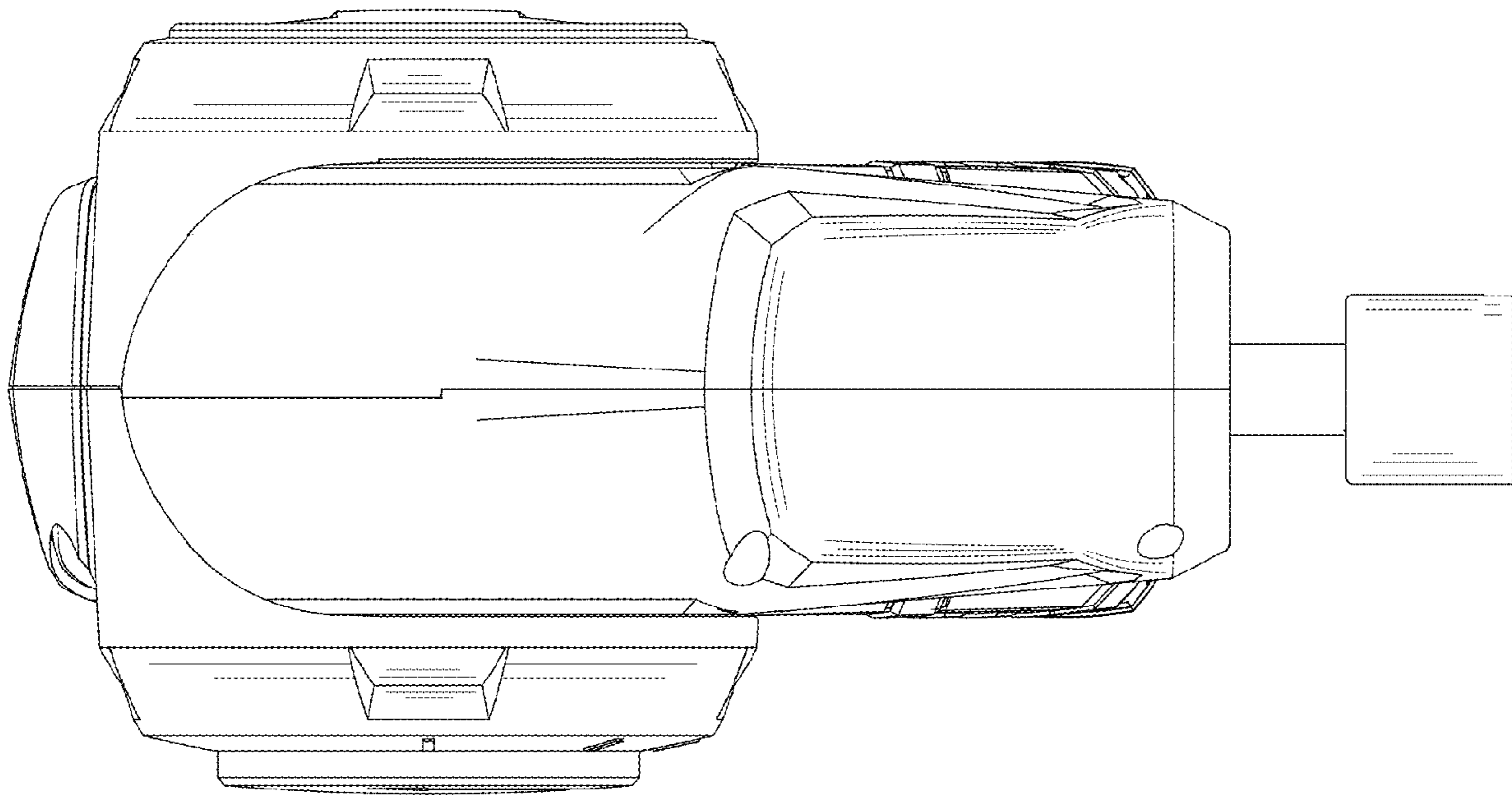


FIG.4

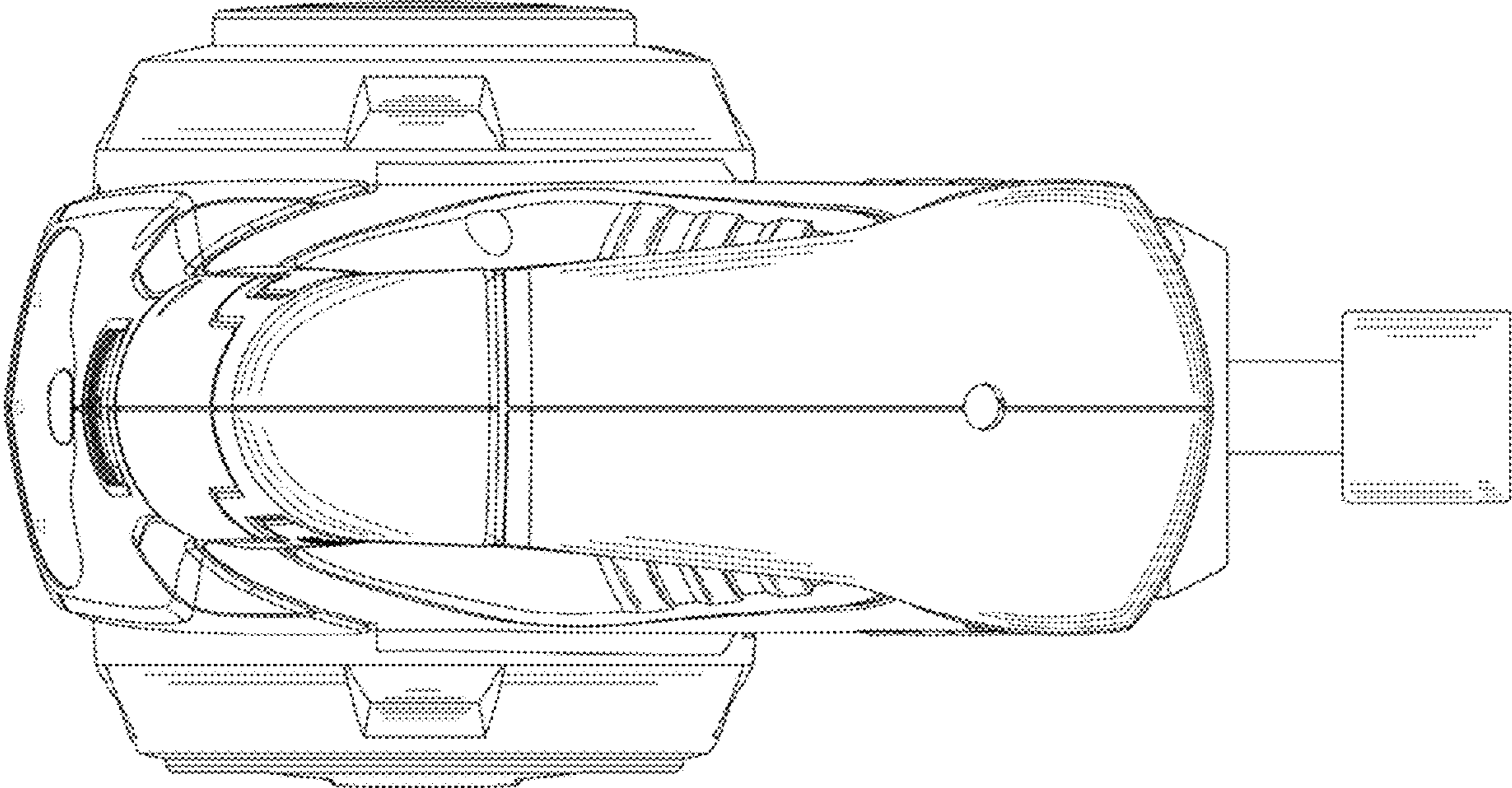


FIG.5

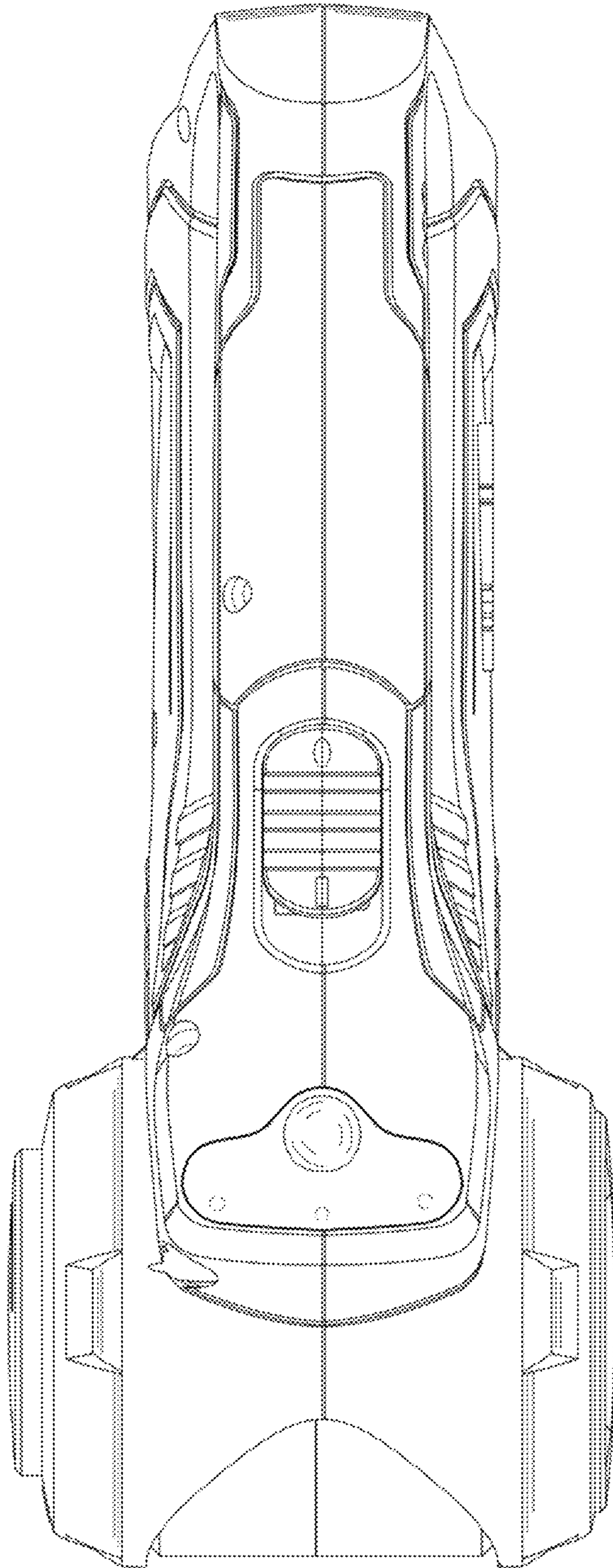


FIG.6

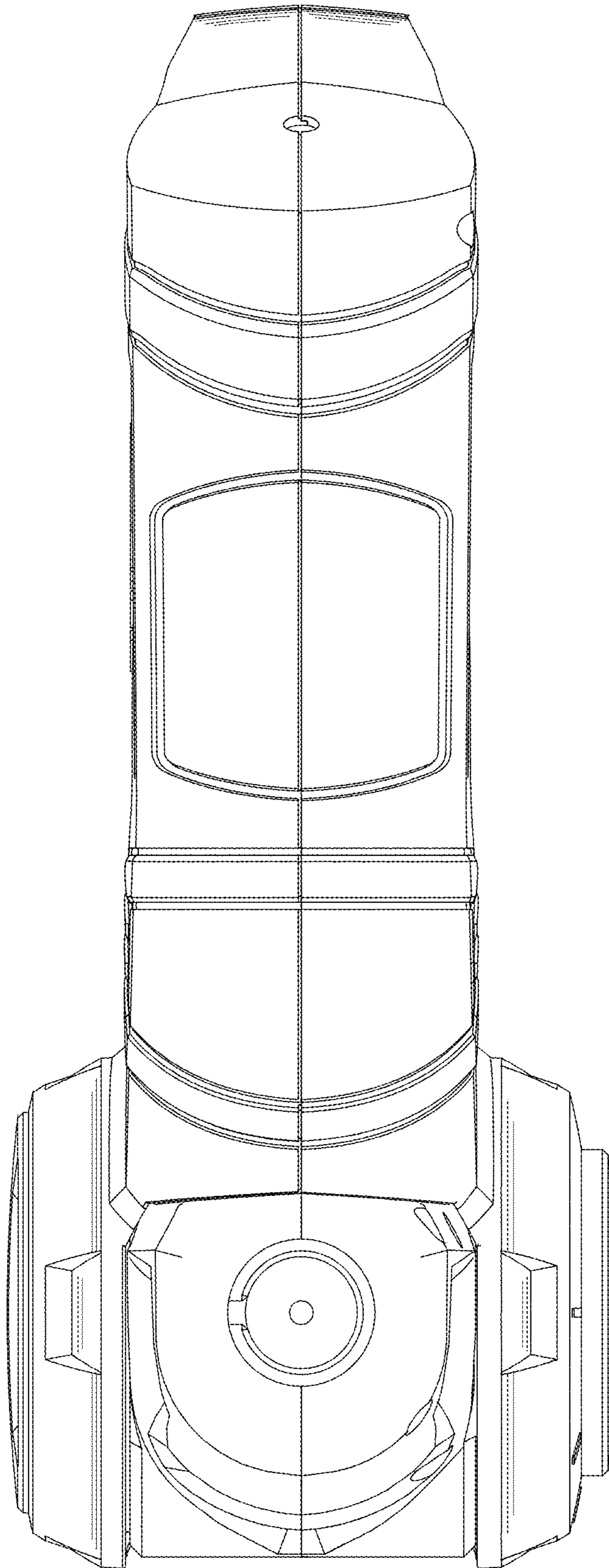


FIG. 7

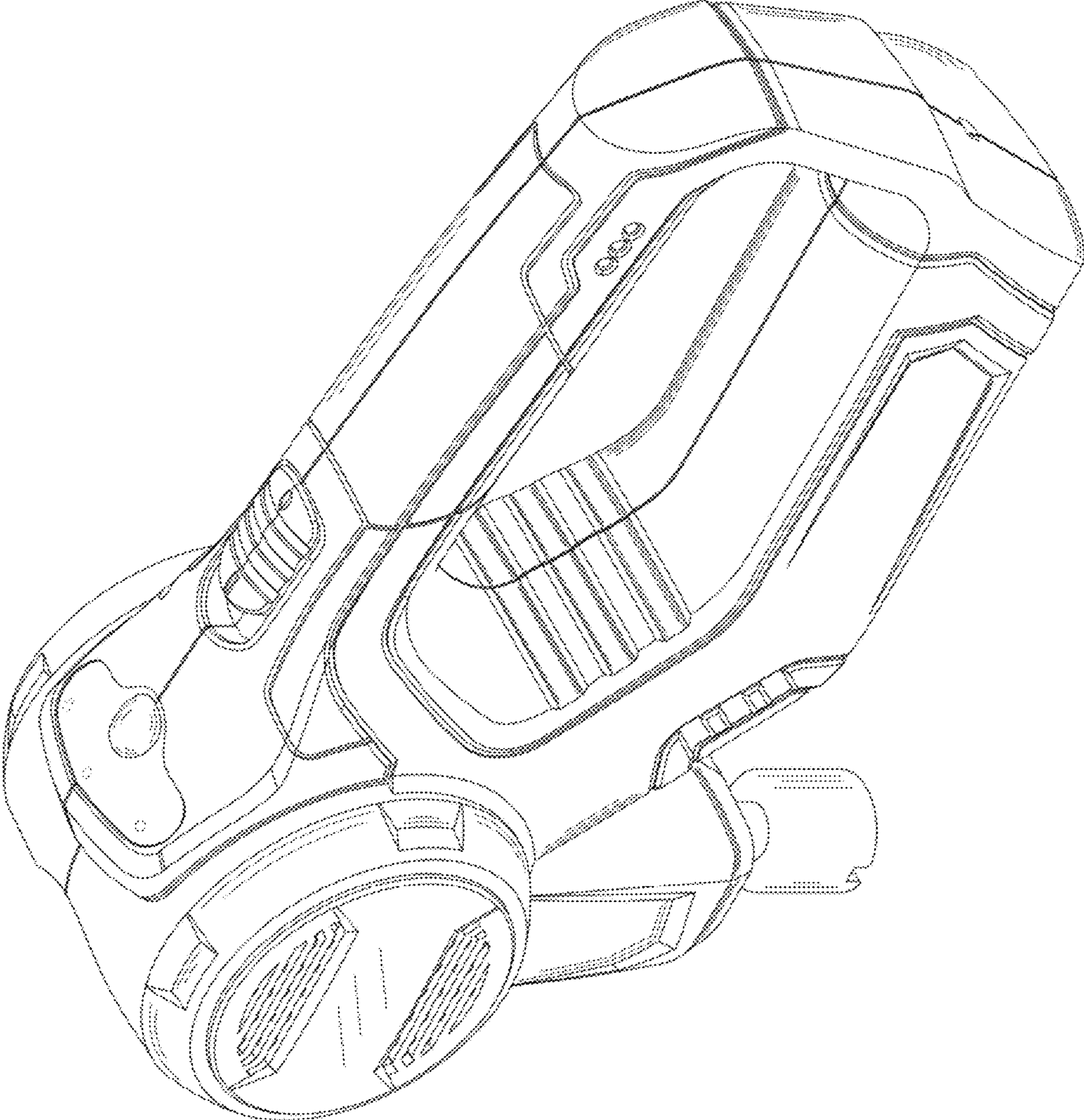


FIG. 8

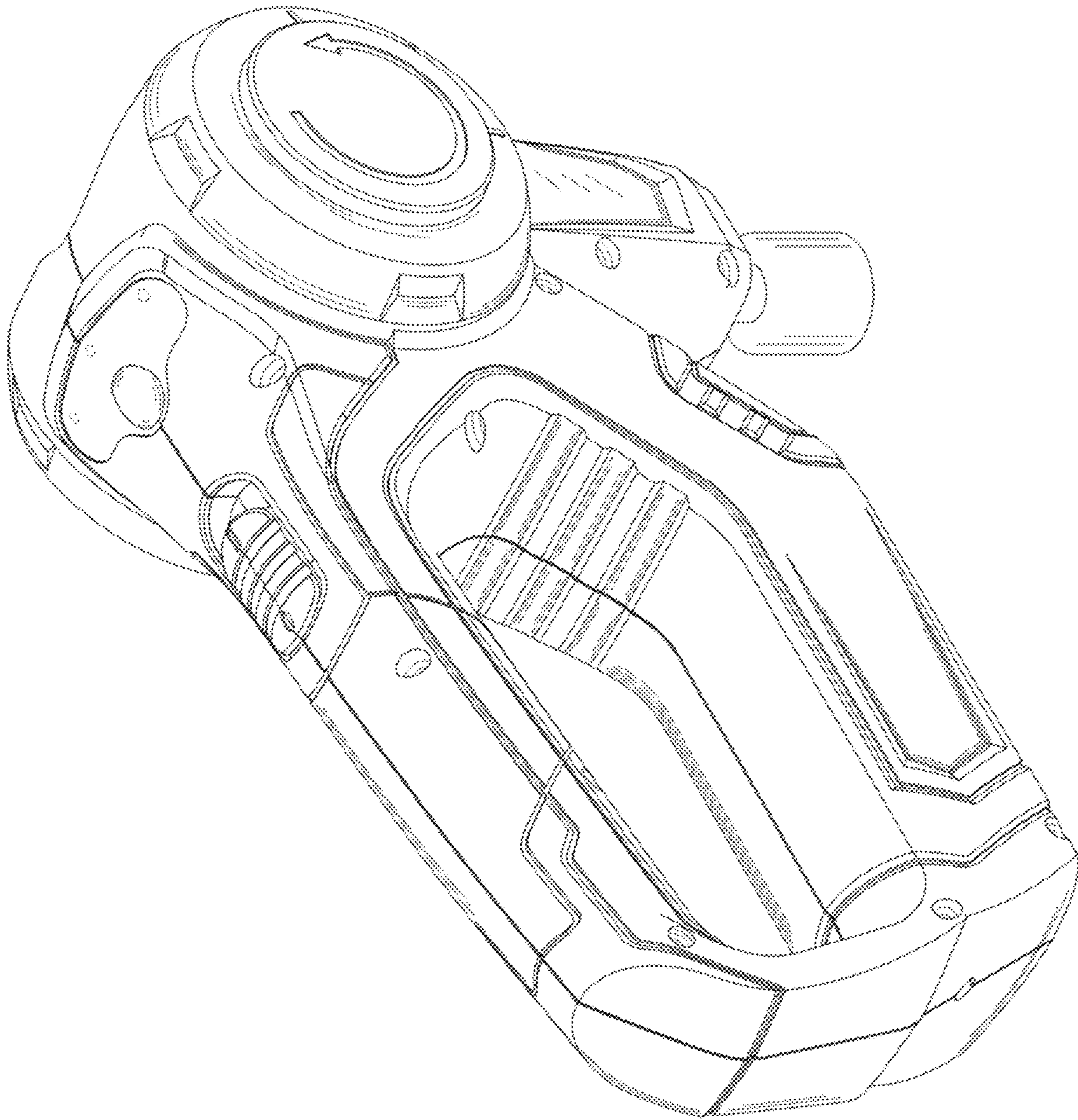


FIG. 9