



US00D950084S

(12) **United States Design Patent** (10) **Patent No.:** **US D950,084 S**
Dyson et al. (45) **Date of Patent:** **** Apr. 26, 2022**

(54) **SLEEP ENHANCEMENT DEVICE**

FOREIGN PATENT DOCUMENTS

(71) Applicant: **N2M LIMITED**, Bristol (GB)

CN 306261672 * 1/2021
CN 306382825 * 3/2021

(72) Inventors: **Matthew Dyson**, Wells (GB); **Nick Webb**, Portishead (GB)

OTHER PUBLICATIONS

(73) Assignee: **N2M Limited**, Portishead (GB)

Lulla-Vibe Vibrating Mattress Pad by Munchkin. Amazon. Oldest review date: Jan. 1, 2013. Retrieval date: Apr. 7, 2021. Retrieved from internet: <https://www.amazon.com/Munchkin-Lulla-Vibe-Vibrating-Mattress-Pad/dp/B009UPUFCY> (Year: 2013).*

(**) Term: **15 Years**

(Continued)

(21) Appl. No.: **29/720,253**

(22) Filed: **Jan. 10, 2020**

Primary Examiner — Lilyana Bekic

Assistant Examiner — Lee D. Starr

(30) **Foreign Application Priority Data**

(74) *Attorney, Agent, or Firm* — Black, McCuskey, Souers & Arbaugh LPA

Sep. 16, 2019 (GB) 6071118

(51) **LOC (13) Cl.** **28-03**

(52) **U.S. Cl.**

USPC **D24/211**

(58) **Field of Classification Search**

USPC D24/200, 211–215, 231, 133, 191;
D30/160; D26/57, 99; D21/576, 578,
D21/621, 627, 630, 664; D14/402, 403,
D14/409, 410

CPC . A61H 1/00; A61H 1/005; A61H 7/00; A61H
7/001; A61H 7/002; A61H 7/003; A61H
2201/0119; A61H 2201/0153; A61H
2201/0157; A61H 15/00; A61H 15/92;
A61H 2015/0007; A61H 23/00; A61H
23/02

See application file for complete search history.

(57) **CLAIM**

The ornamental design for a sleep enhancement device, as shown and described.

DESCRIPTION

FIG. 1 is a top perspective view of a sleep enhancement device showing our new design.

FIG. 2 is a bottom perspective view of the sleep enhancement device of FIG. 1.

FIG. 3 is a top view of the sleep enhancement device of FIG. 1.

FIG. 4 is a bottom view of the sleep enhancement device of FIG. 1.

FIG. 5 is a left-side view of the sleep enhancement device of FIG. 1.

FIG. 6 is a right-side view of the sleep enhancement device of FIG. 1.

FIG. 7 is a rear view of the sleep enhancement device of FIG. 1; and,

FIG. 8 is a front view of the sleep enhancement device of FIG. 1.

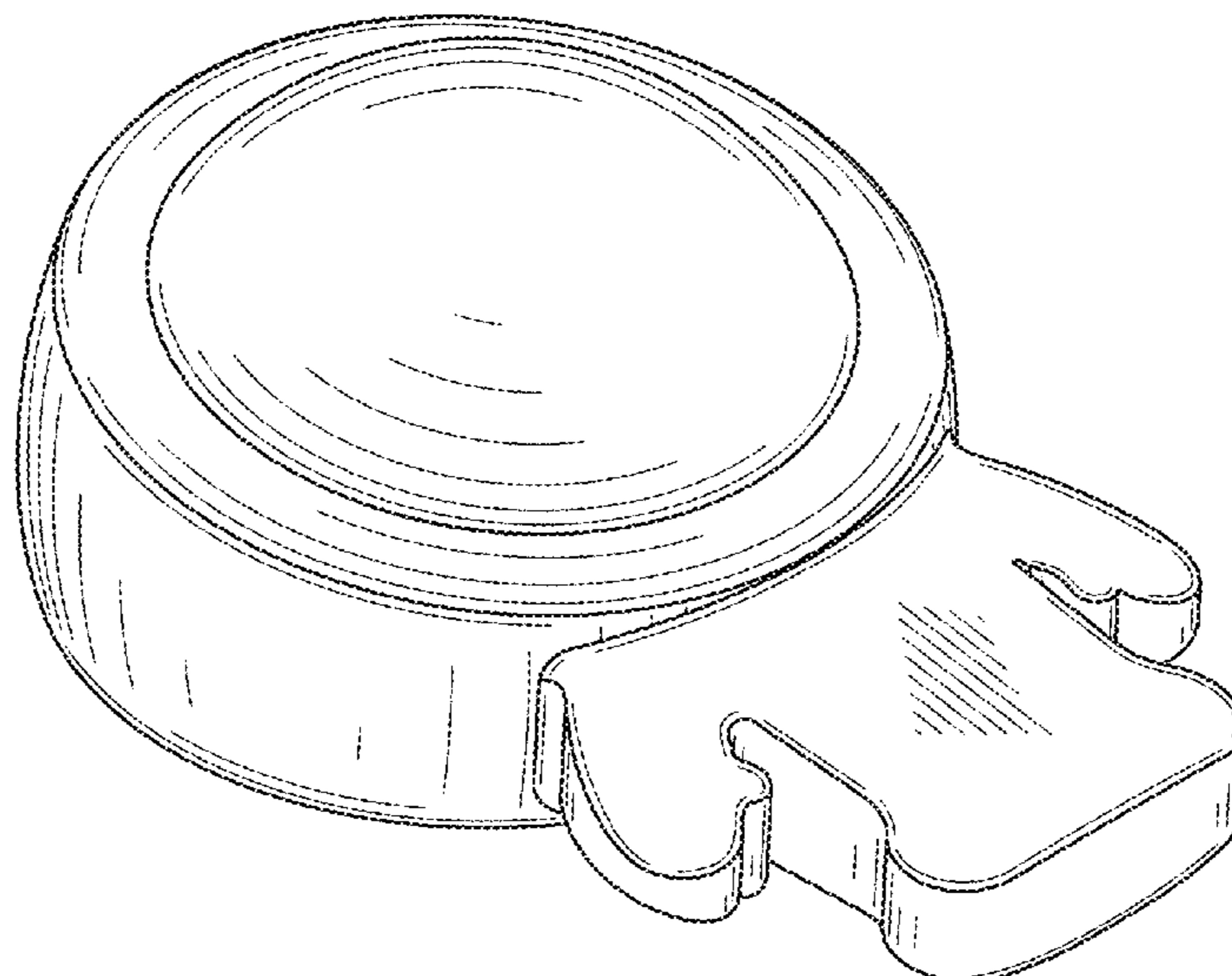
(56) **References Cited**

U.S. PATENT DOCUMENTS

D351,236 S * 10/1994 Held D24/215
D368,721 S * 4/1996 Howell D14/218
D374,722 S * 10/1996 Lossing D24/211
D378,539 S * 3/1997 Scott D24/211
D381,969 S 8/1997 Ratzlaff

(Continued)

1 Claim, 5 Drawing Sheets



(56)

References Cited

U.S. PATENT DOCUMENTS

D425,882 S 5/2000 Sfingi
D521,004 S * 5/2006 Suzuki D14/402
D595,365 S * 6/2009 Wilk D21/621
D630,213 S 1/2011 Fidali et al.
D657,366 S * 4/2012 Leung D14/480.2
D695,345 S * 12/2013 Park D19/59
D745,180 S * 12/2015 Stanbridge D24/215
D745,870 S 12/2015 Jost
D843,002 S * 3/2019 Yarborough D24/211
D870,908 S * 12/2019 Hyder A61H 15/00
D24/211
D873,355 S * 1/2020 Murphy D21/621
D890,864 S * 7/2020 Na D21/630

OTHER PUBLICATIONS

LinkedIn website for Rocket (N2M Limited). LinkedIn.com. Date viewed: Apr. 1, 2021. Retrieved from internet: <https://www.linkedin.com/company/the-rocket> (Year: 2021).*

Twitter photo posted Nov. 26, 2019 by user “@wearerocket”. Retrieved from internet: <https://twitter.com/wearerocket/status/1199283620743135233/photo/3> (Year: 2019).*

* cited by examiner

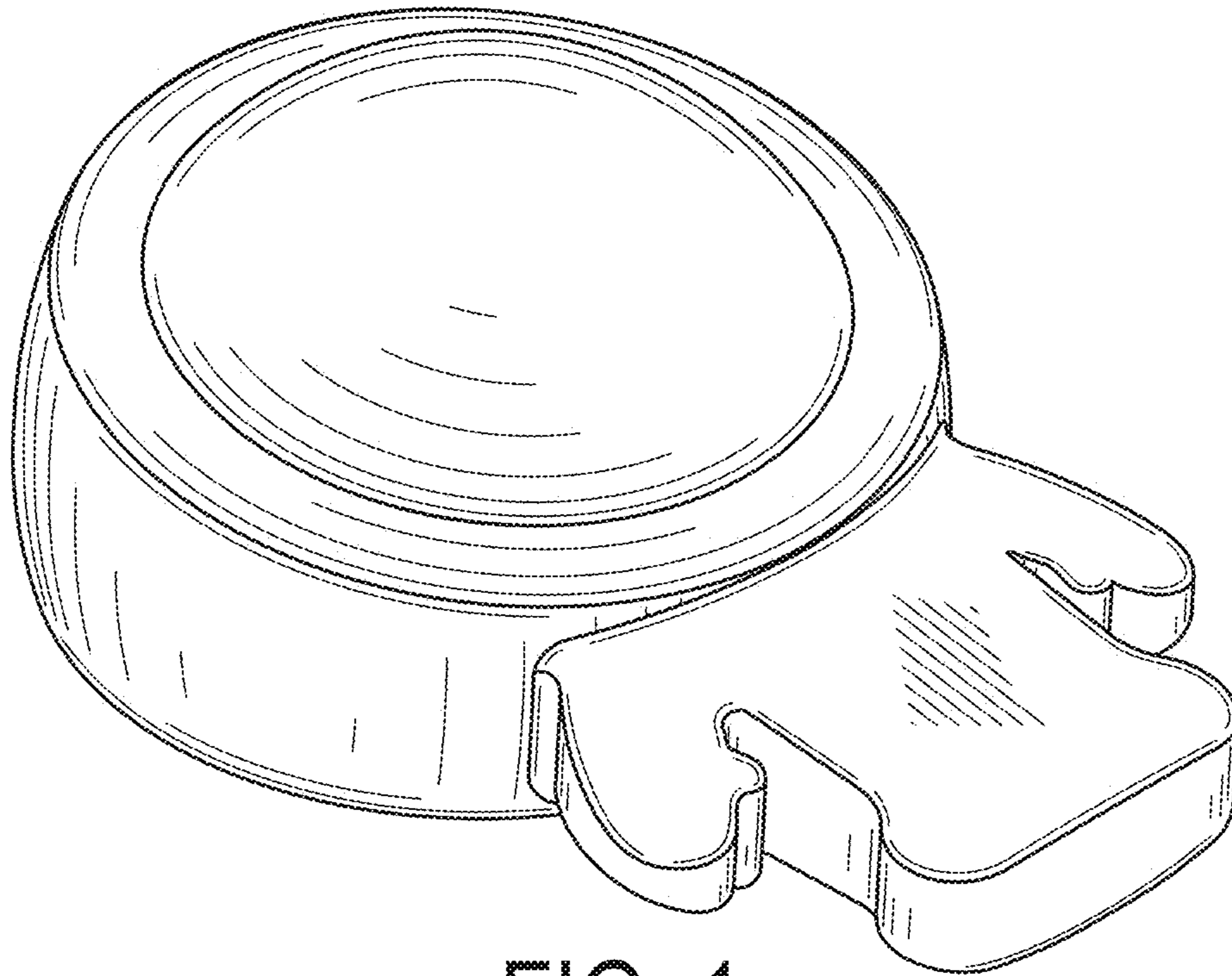


FIG. 1

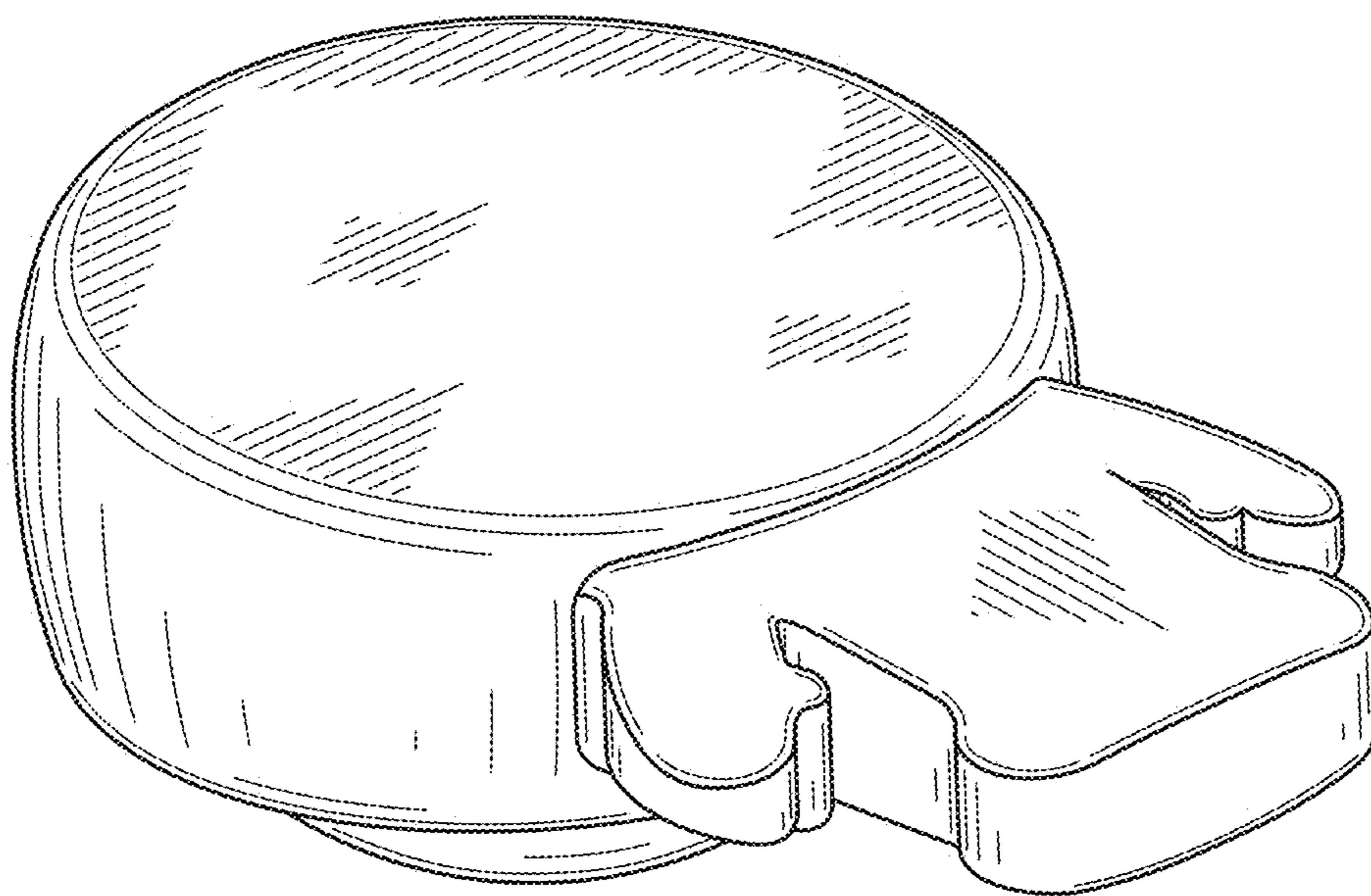


FIG. 2

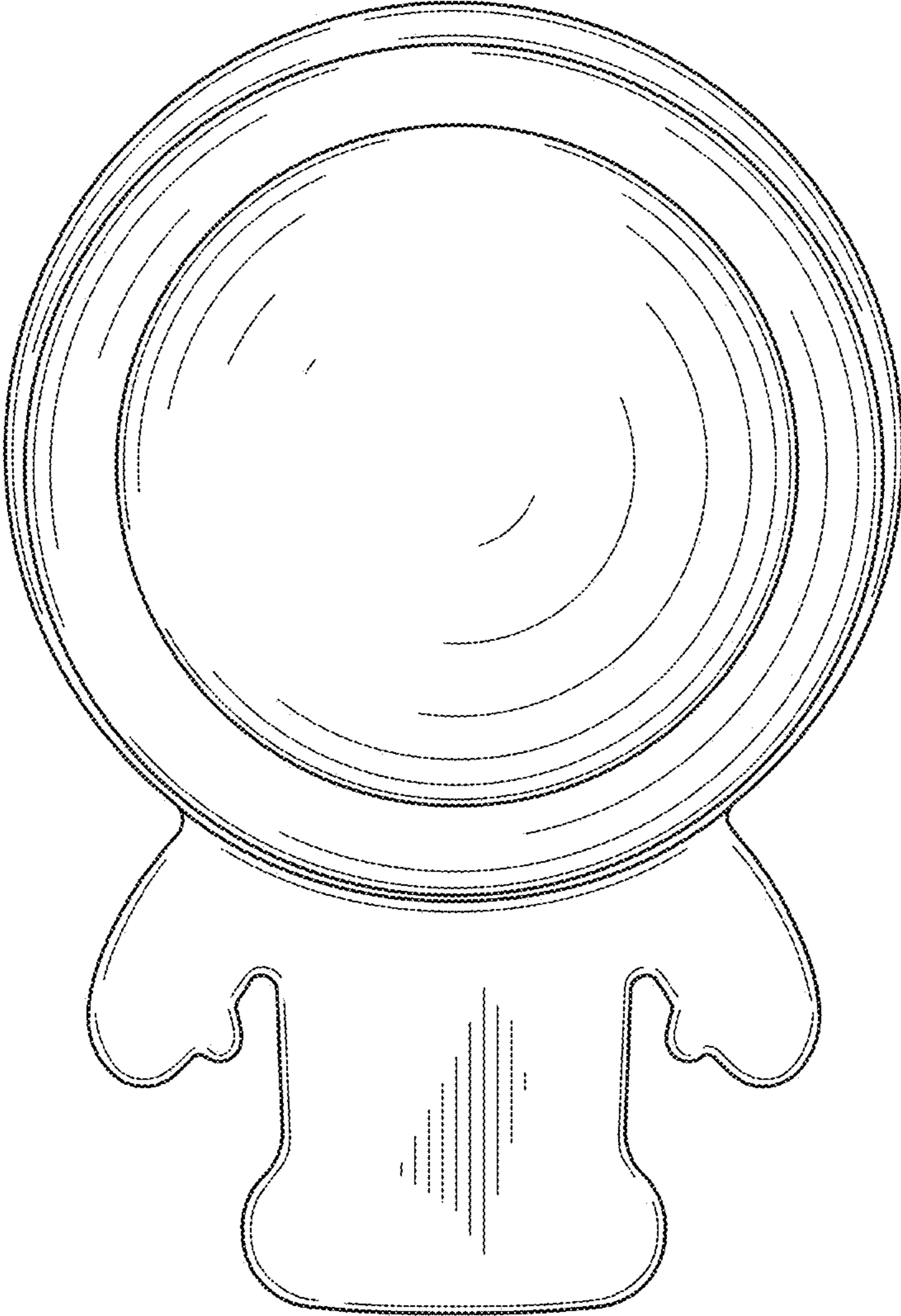


FIG. 3

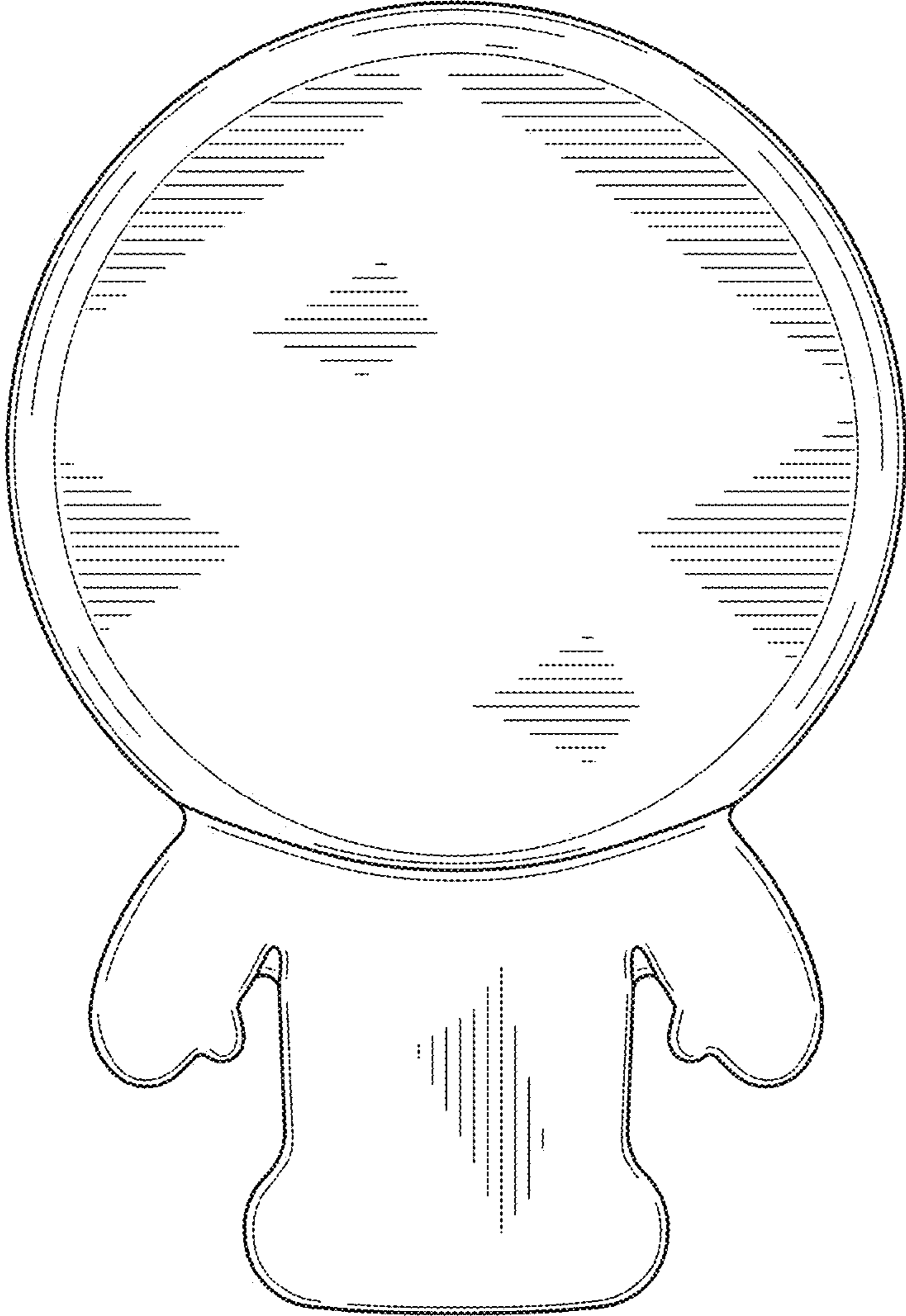


FIG. 4

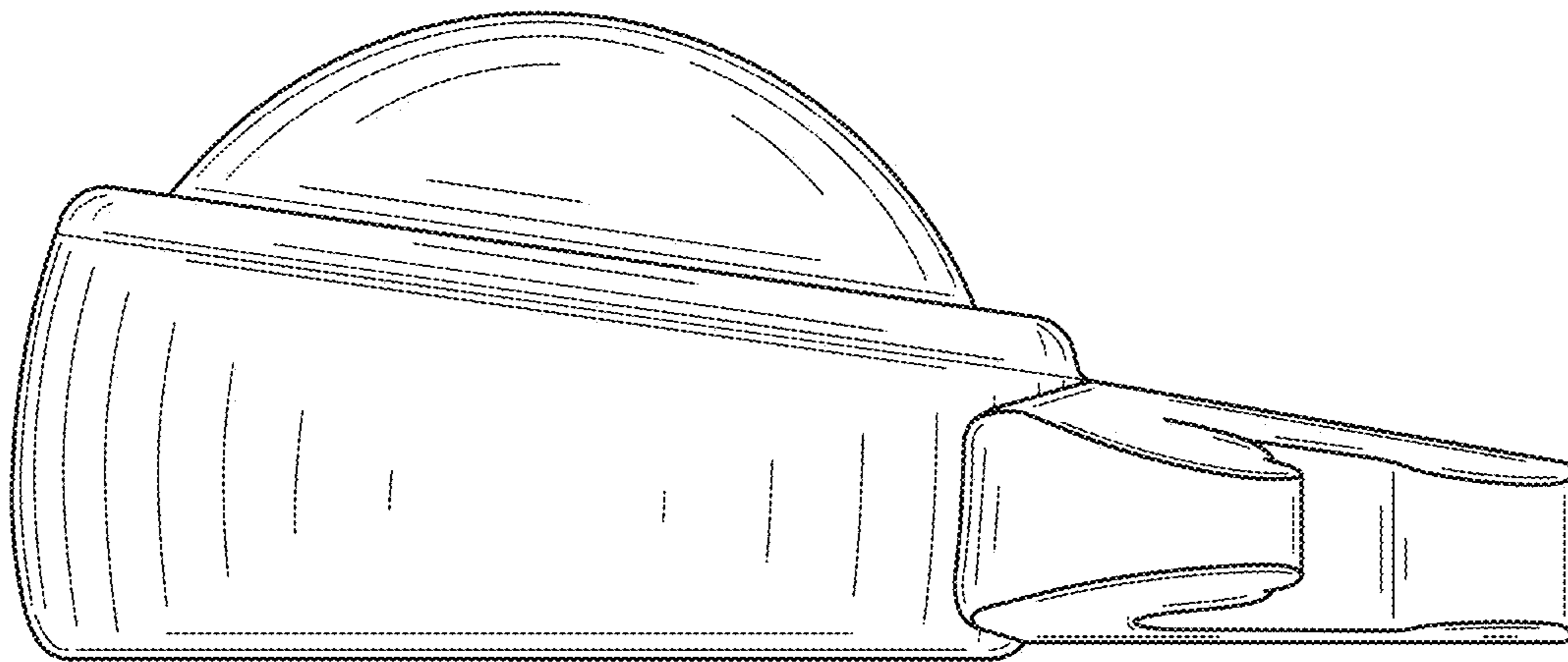


FIG. 5

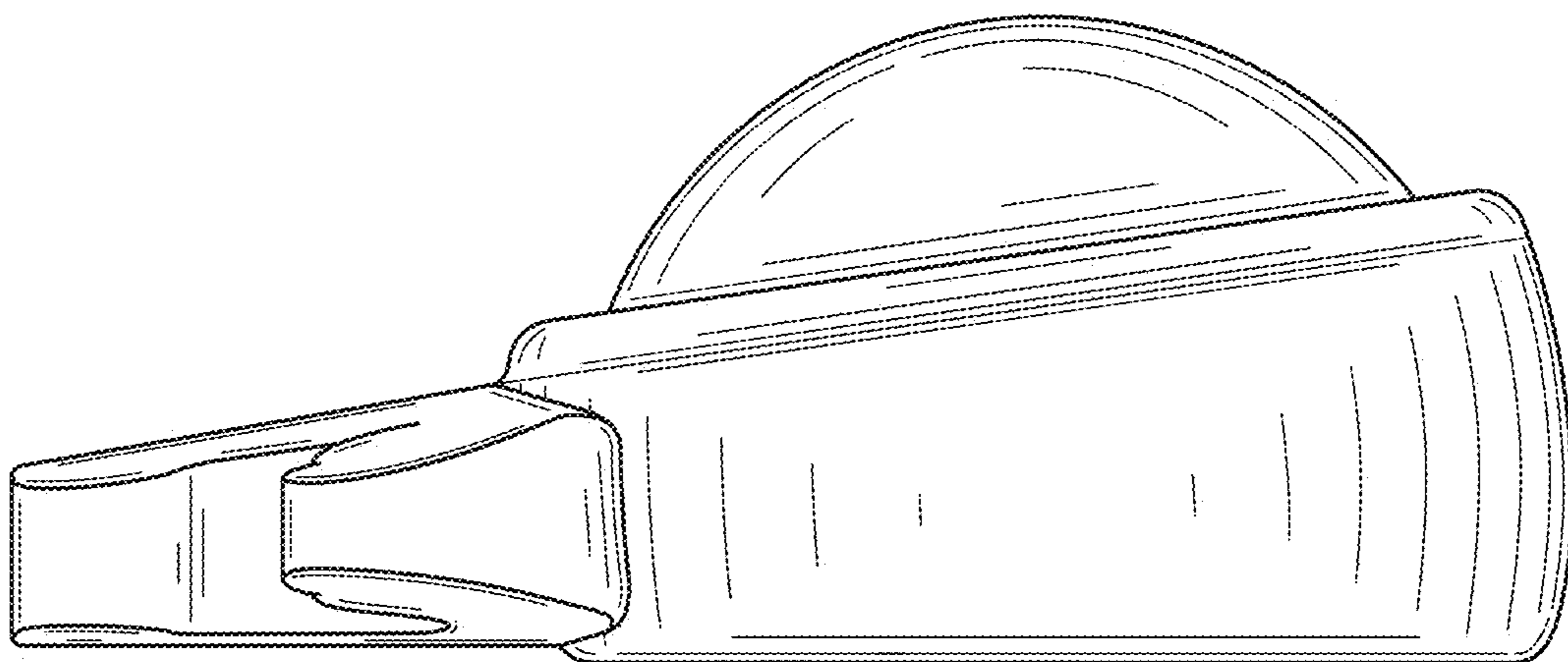


FIG. 6

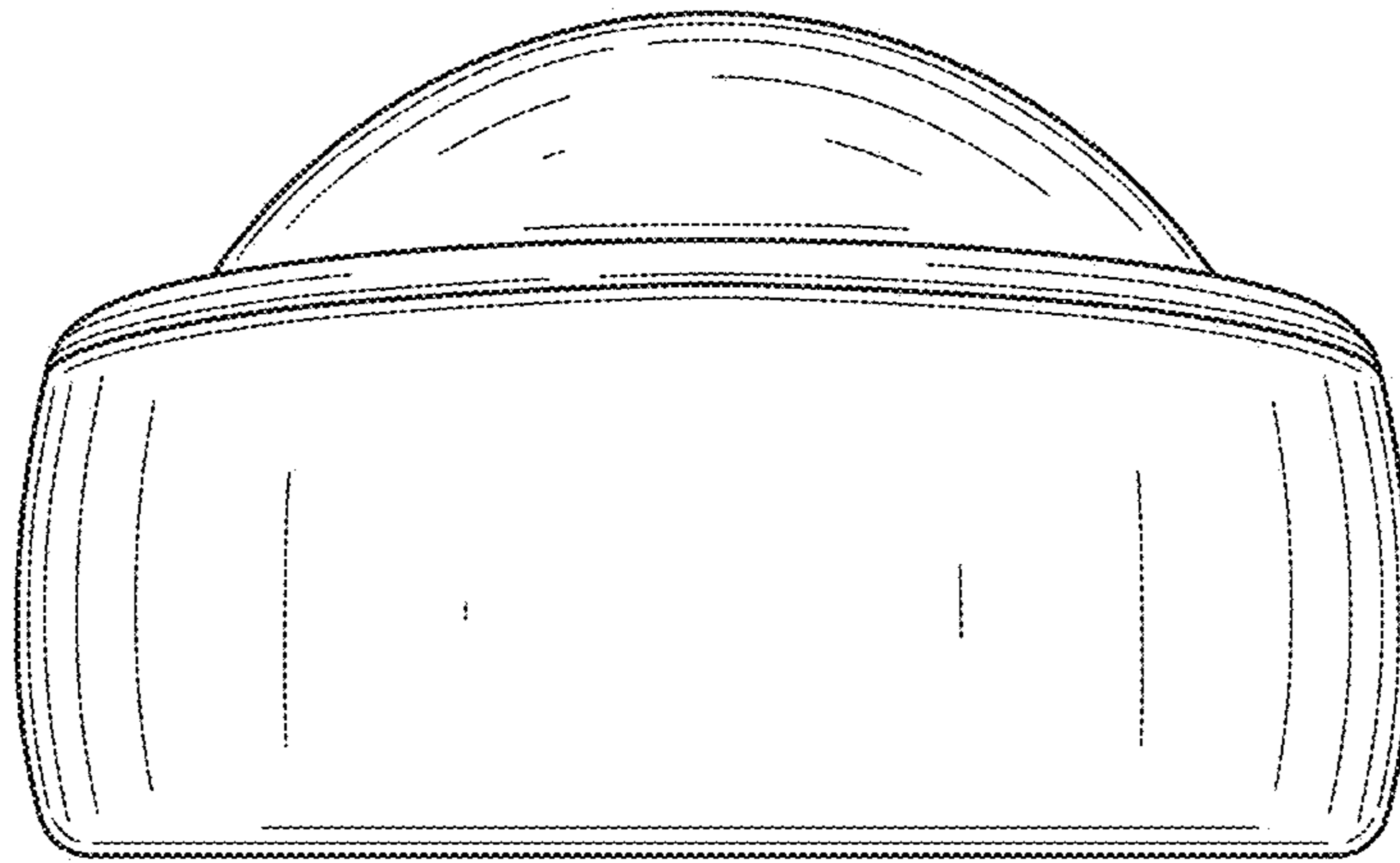


FIG. 7

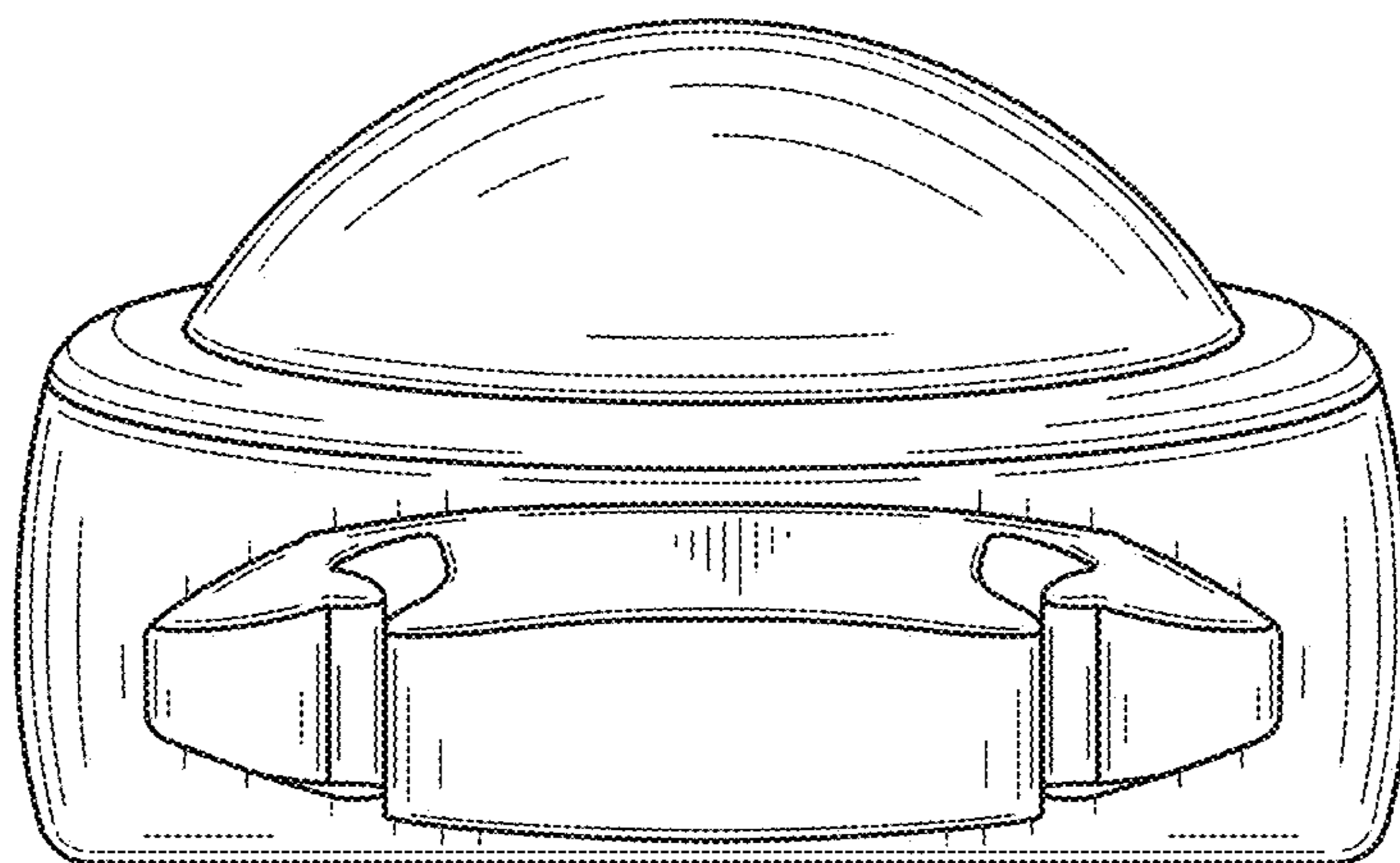


FIG. 8