



US00D950083S

(12) **United States Design Patent**
Zhu

(10) **Patent No.:** **US D950,083 S**
(45) **Date of Patent:** **** Apr. 26, 2022**

(54) **WAX WARMER**

(71) Applicant: **Erwei Zhu**, Wuyang (CN)

(72) Inventor: **Erwei Zhu**, Wuyang (CN)

(**) Term: **15 Years**

(21) Appl. No.: **29/783,256**

(22) Filed: **May 12, 2021**

(51) **LOC (13) Cl.** **28-03**

(52) **U.S. Cl.**

USPC **D24/200; D28/44.1**

(58) **Field of Classification Search**

USPC D24/200, 204; D28/44, 44.1

CPC H05B 3/00; H05B 3/0052; H05B 3/26;

A61F 7/00; A61F 7/007; A61F 7/0085;

A61F 2007/0001; A61F 2007/0003; A61F

2007/0004; A61F 2007/0024; A61F

2007/0029; A61F 2007/0031; A61F

2007/0039; A61F 2007/0041; A61F

2007/0043; A61F 2007/0219; A45D

2200/155; A45D 26/0014; A45D

2026/008; A61H 33/04; A61H 2033/047

See application file for complete search history.

(56) **References Cited**

U.S. PATENT DOCUMENTS

D441,455 S * 5/2001 Feer D24/200

D442,284 S * 5/2001 Ferber D24/200

D478,384 S *	8/2003	Lie	D24/200
10,086,102 B2 *	10/2018	Belongia	H05B 3/78
D838,859 S	1/2019	Yu		
D857,215 S	8/2019	Lin		
D876,655 S	2/2020	Lin		
D878,616 S	3/2020	Lin		
D880,671 S	4/2020	Wang		
D887,568 S	6/2020	Lin		
D909,592 S *	2/2021	Li	D24/200
D917,710 S *	4/2021	Li	D24/200
D932,641 S *	10/2021	Mo	D24/200
D933,889 S *	10/2021	Li	D28/44.1

* cited by examiner

Primary Examiner — Wan Laymon

(74) *Attorney, Agent, or Firm* — Rumit Ranjit Kanakia

(57) **CLAIM**

I claim the ornamental design for a wax warmer, as shown and described.

DESCRIPTION

FIG. 1 is a perspective view of a wax warmer showing my new design;

FIG. 2 is a front view thereof;

FIG. 3 is a back view thereof;

FIG. 4 is a left-side view thereof;

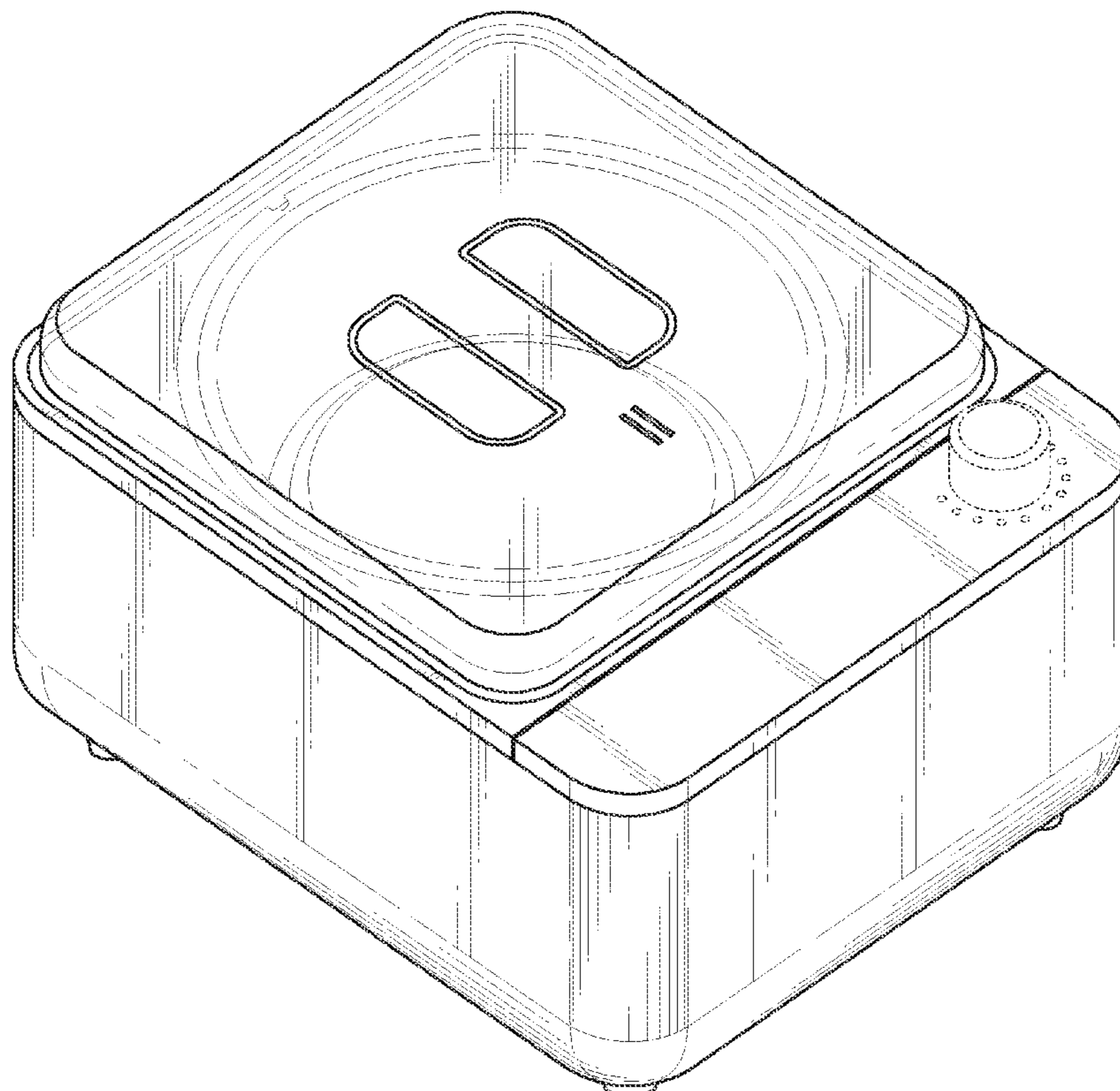
FIG. 5 is a right-side view thereof;

FIG. 6 is a top view thereof; and,

FIG. 7 is a bottom view thereof.

The broken lines in the drawings depict portions of the wax warmer that form no part of the claimed design.

1 Claim, 7 Drawing Sheets



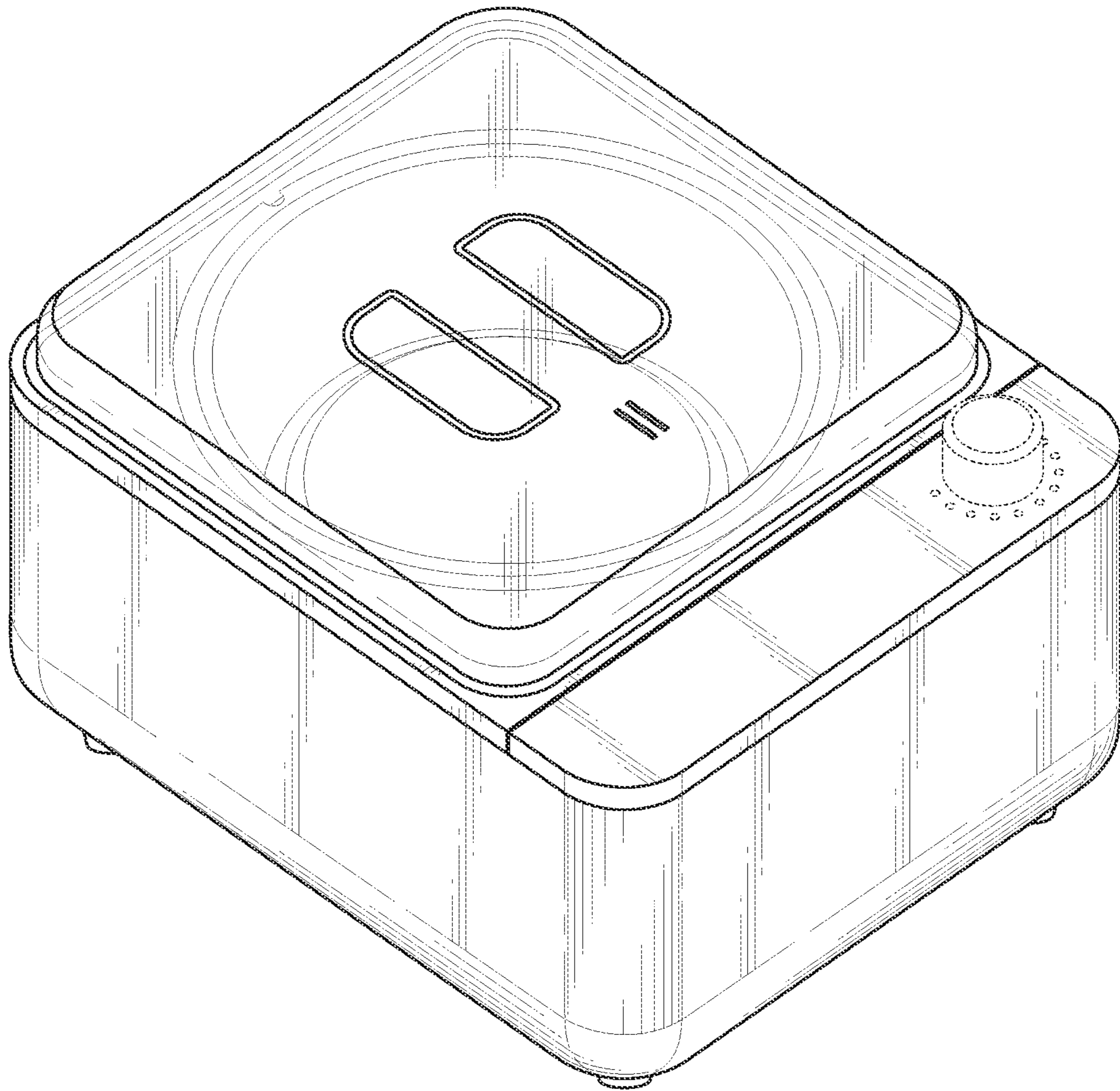


FIG. 1

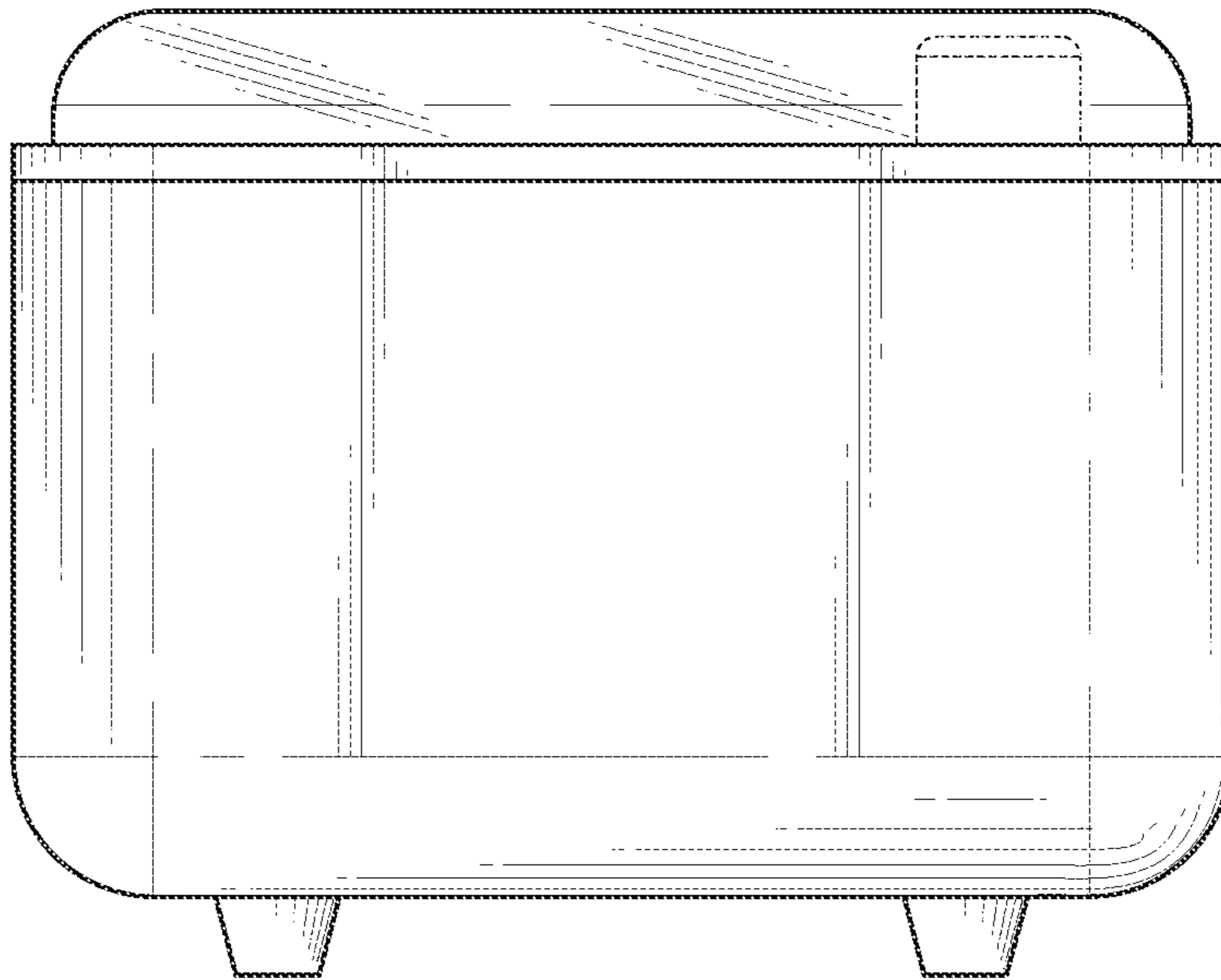


FIG. 2

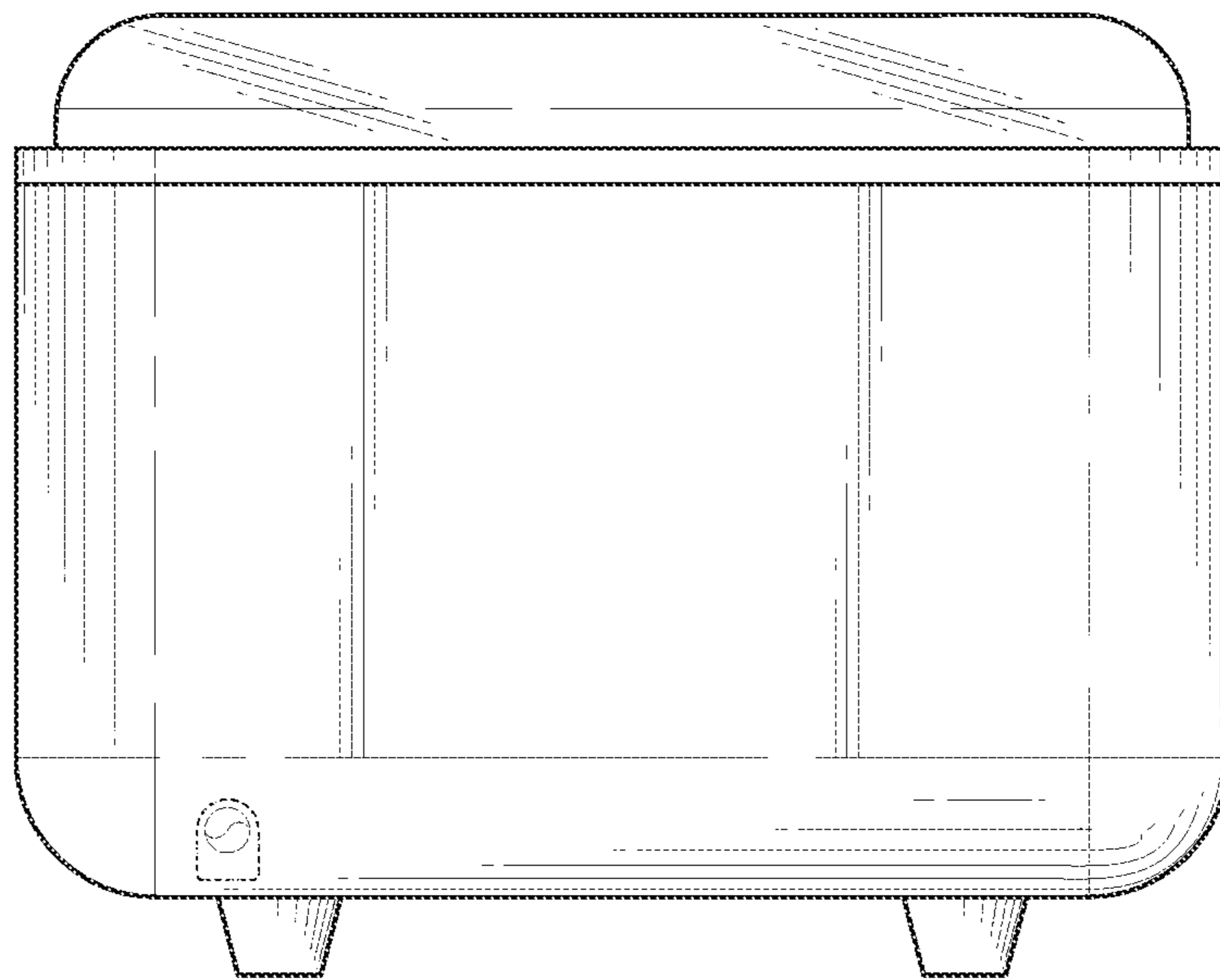


FIG. 3

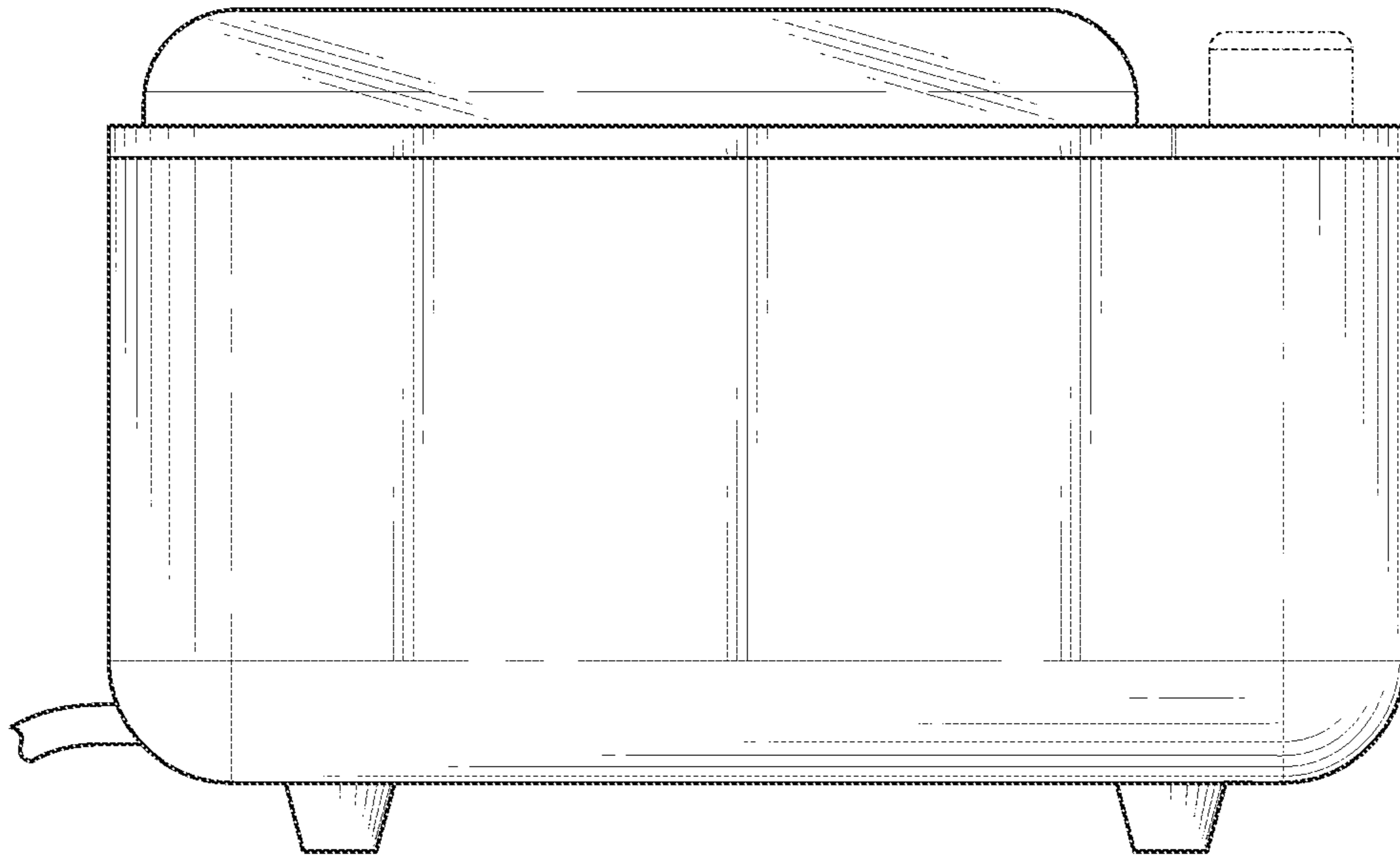


FIG. 4

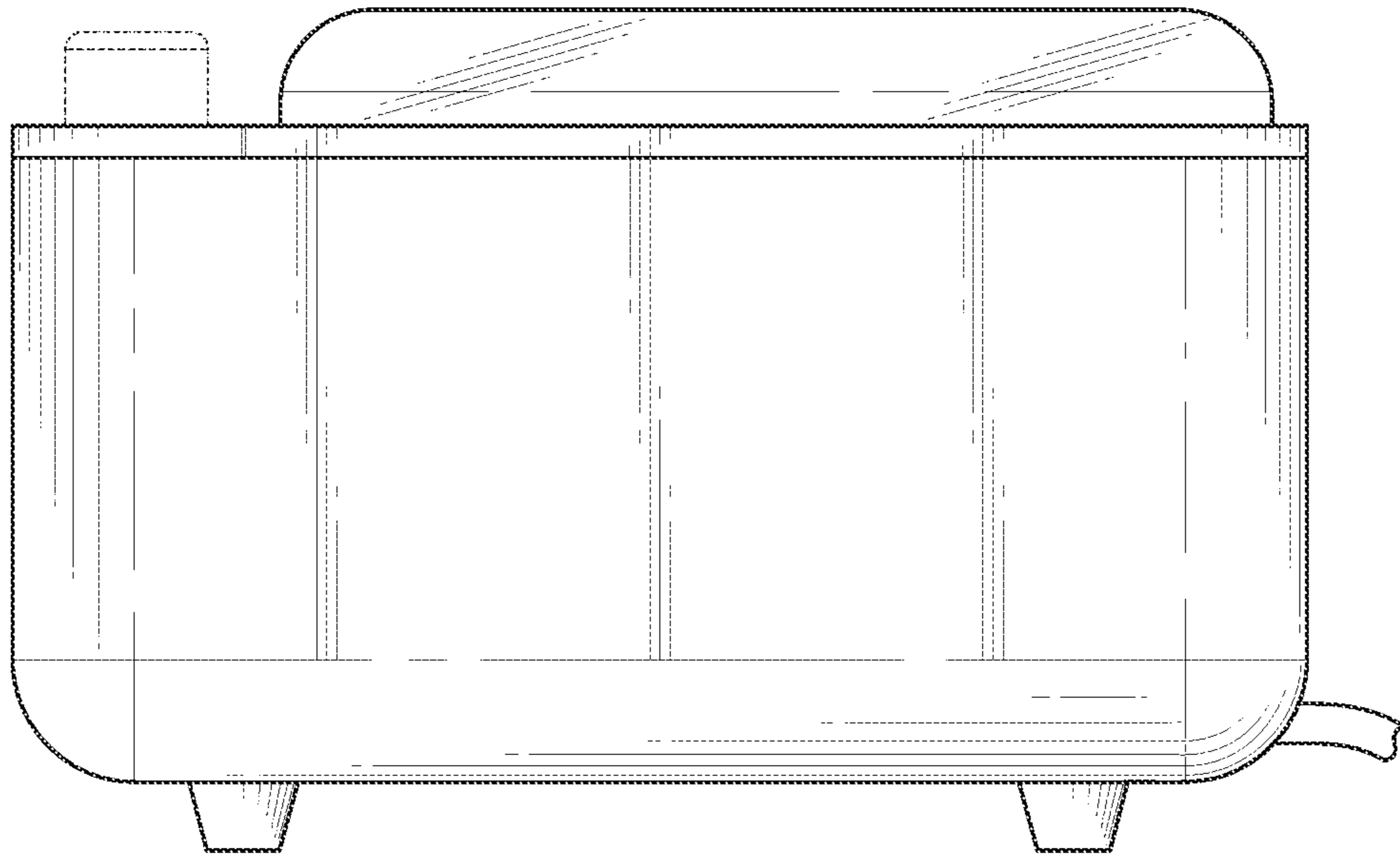


FIG. 5

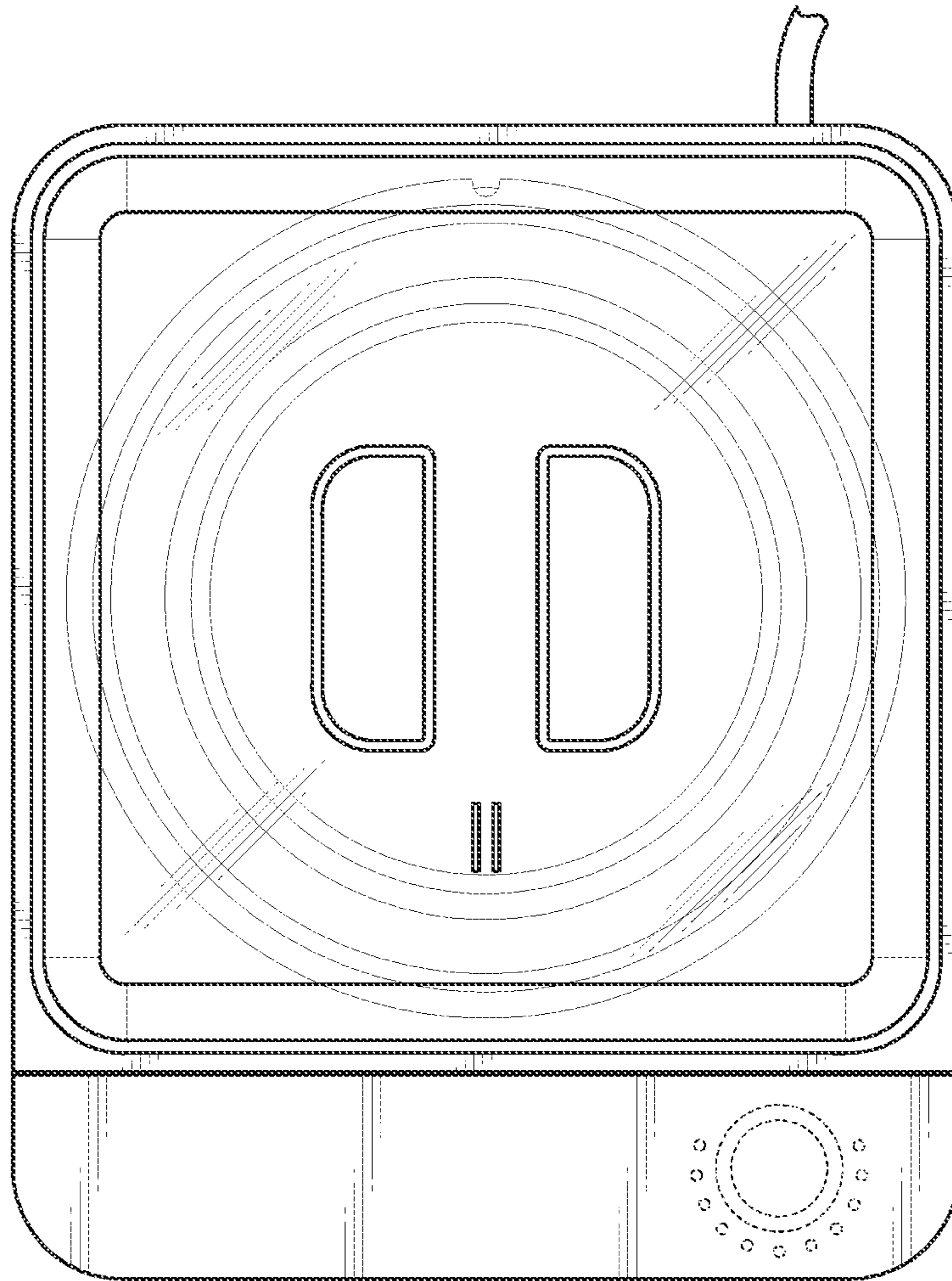


FIG. 6

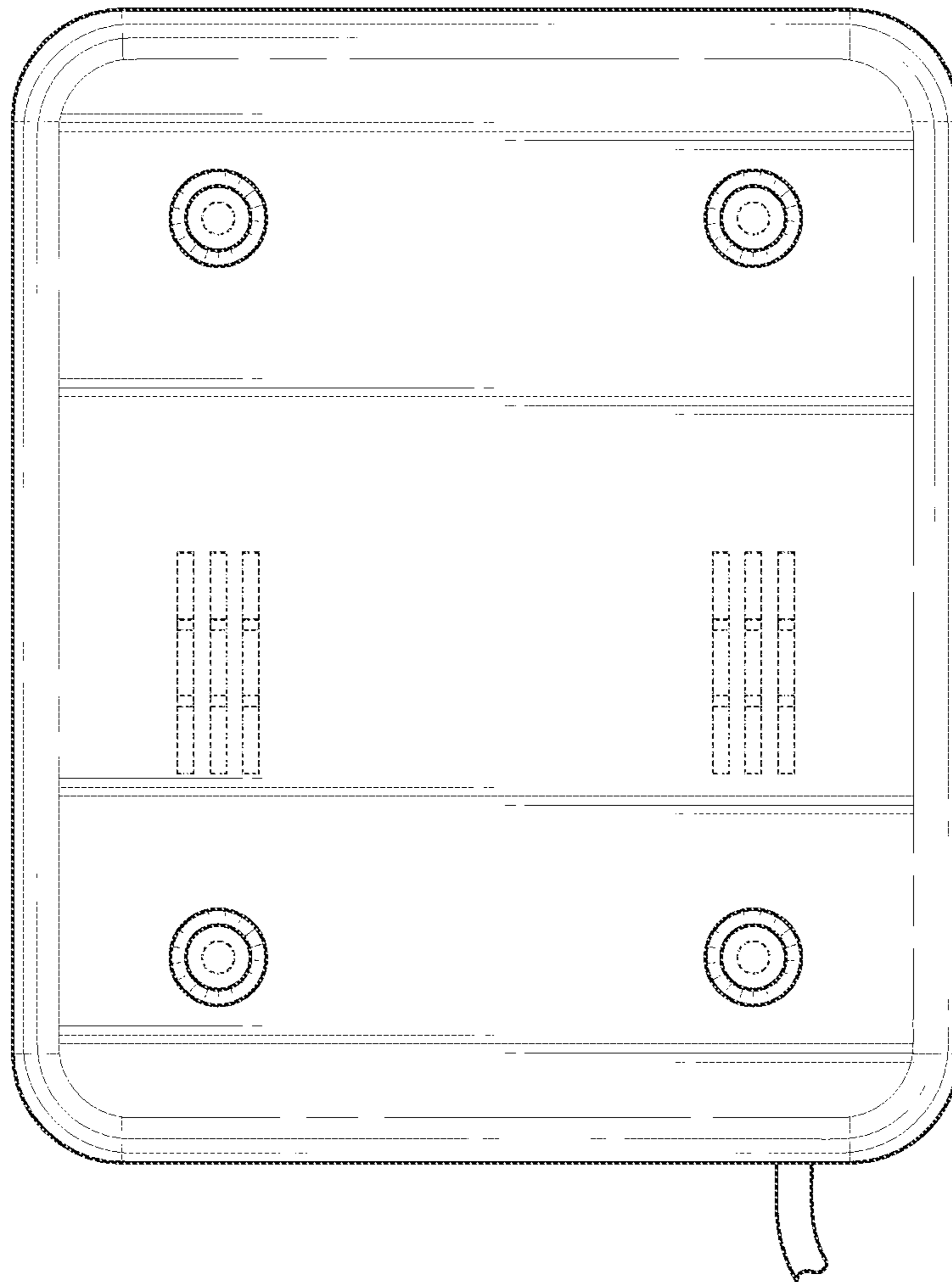


FIG. 7