



US00D950082S

(12) **United States Design Patent** (10) **Patent No.:** **US D950,082 S**
Hoffman (45) **Date of Patent:** **** Apr. 26, 2022**

(54) **EXTRACORPOREAL TREATMENT DEVICE**

(71) Applicant: **Jonathan Hoffman**, Studio City, CA (US)

(72) Inventor: **Jonathan Hoffman**, Studio City, CA (US)

(**) Term: **15 Years**

(21) Appl. No.: **29/732,373**

(22) Filed: **Apr. 23, 2020**

(51) **LOC (13) Cl.** **28-03**

(52) **U.S. Cl.**
USPC **D24/200**

(58) **Field of Classification Search**
USPC D24/200, 144, 214–215
CPC A61H 1/00; A61H 23/00; A61H 23/006;
A61H 23/008; A61H 7/00; A61H 7/001;
A61H 7/002; A61H 7/003; A61H
2201/0153; A61H 2205/55; A61H
2207/00; A61B 17/225; A61B 17/2251
See application file for complete search history.

(56) **References Cited**

U.S. PATENT DOCUMENTS

5,067,480	A *	11/1991	Woog	A61H 19/34
					601/46
D706,433	S *	6/2014	Fuhr	D24/200
9,687,405	B2 *	6/2017	Fuhr	A61H 1/008
D827,843	S *	9/2018	Bainton	D24/200
10,653,581	B2 *	5/2020	Hoffman	A61H 23/008
10,667,977	B2 *	6/2020	Fuhr	A61H 1/008
D898,207	S *	10/2020	Yang	D24/200
2020/0046602	A1 *	2/2020	Hoffman	A61H 23/008
2020/0163825	A1 *	5/2020	Cambridge	A61H 1/00
2020/0214931	A1 *	7/2020	Hoffman	A61H 23/008
2021/0086001	A1 *	3/2021	Hoffman	A61H 1/00
2021/0219999	A1 *	7/2021	Hoffman	A61B 17/225

OTHER PUBLICATIONS

The Phoenix, "Acoustic wave therapy device." earlier review date Sep. 18, 2020. Retrived on Jul. 20, 20201. Retrieved from the internet: https://getmyphoenix.com/phoenix/?gclid=EAlalQobChMlmvWdg7Py8QIV18DlCh3TkABpEAQYAyABEgKob_D_BwE.*

* cited by examiner

Primary Examiner — Wan Laymon

(74) *Attorney, Agent, or Firm* — Wei & Sleman LLP

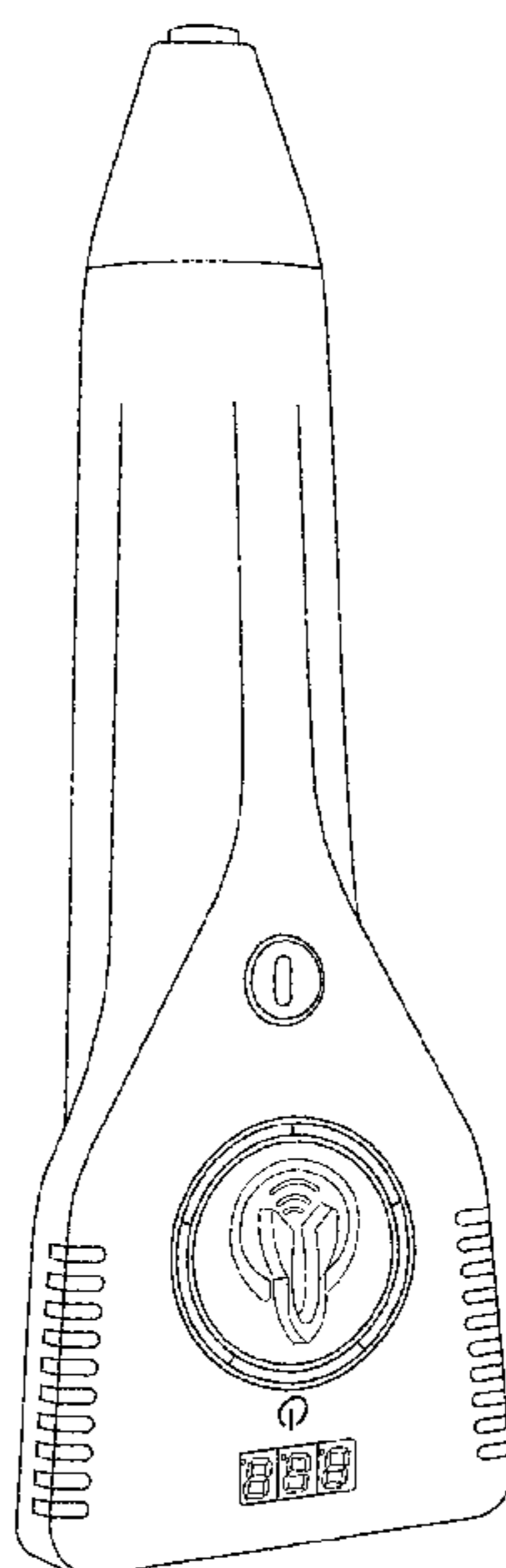
(57) **CLAIM**

The ornamental design for an extracorporeal treatment device, as shown and described.

DESCRIPTION

FIG. 1 is a front plan view of a first embodiment of an extracorporeal treatment device showing my new design; FIG. 2 is a back plan view thereof; FIG. 3 is a left side view thereof; FIG. 4 is a right side view thereof; FIG. 5 is a top view thereof; FIG. 6 is a bottom view thereof; FIG. 7 is a front perspective view thereof. FIG. 8 is a front plan view of a second embodiment of an extracorporeal treatment device showing my new design; FIG. 9 is a back plan view thereof; FIG. 10 is a left side view thereof; FIG. 11 is a right side view thereof; FIG. 12 is a top view thereof; FIG. 13 is a bottom view thereof; and, FIG. 14 is a front perspective view thereof. The broken lines in the drawings illustrate portions of the extracorporeal treatment device which form no part of the claimed design.

1 Claim, 12 Drawing Sheets



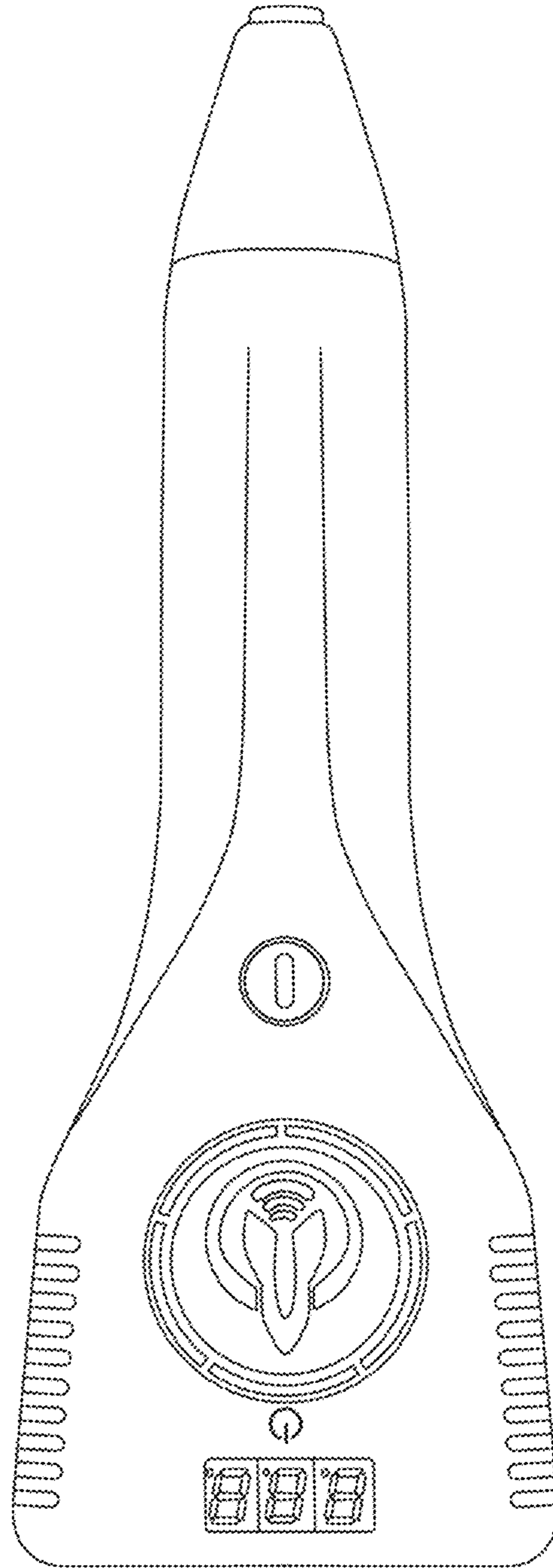


FIG. 1

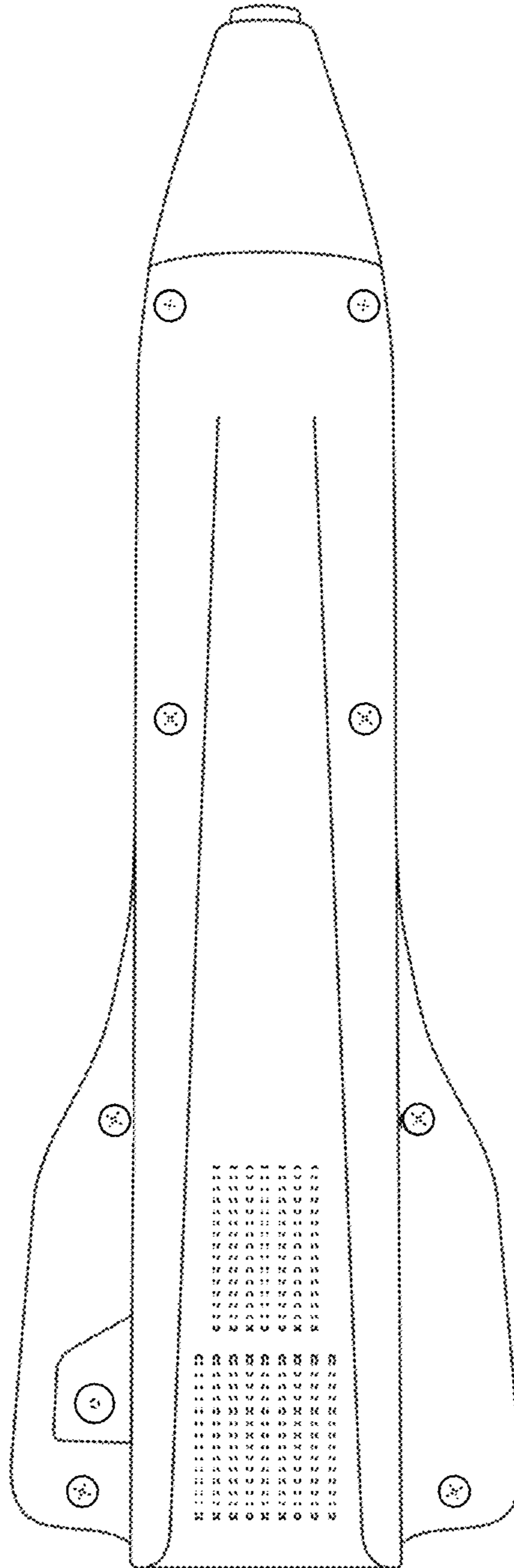


FIG. 2

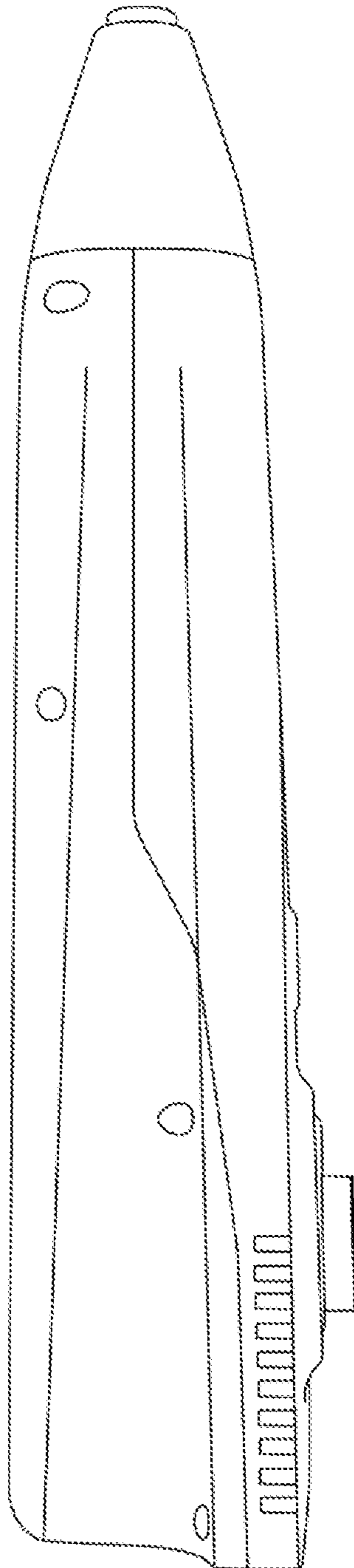


FIG. 3

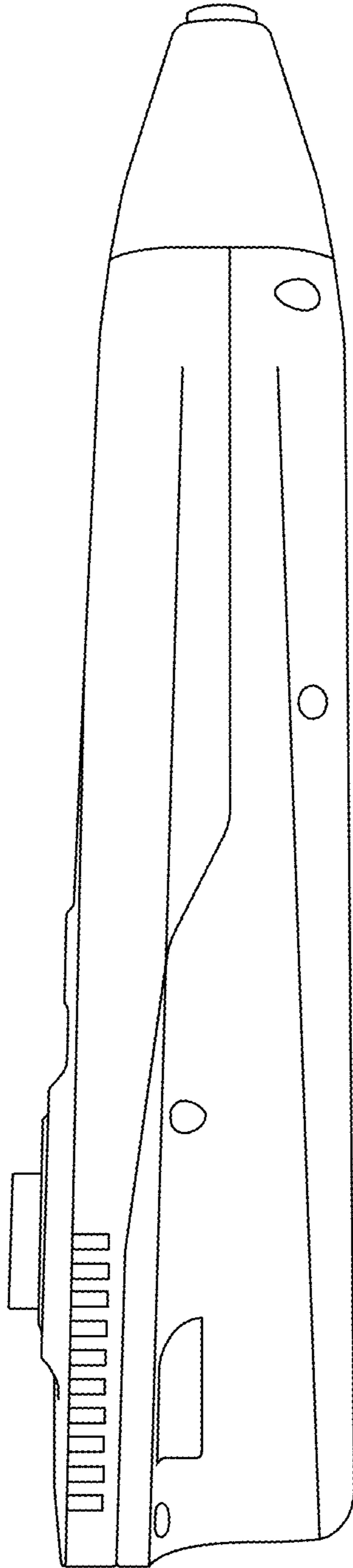


FIG. 4

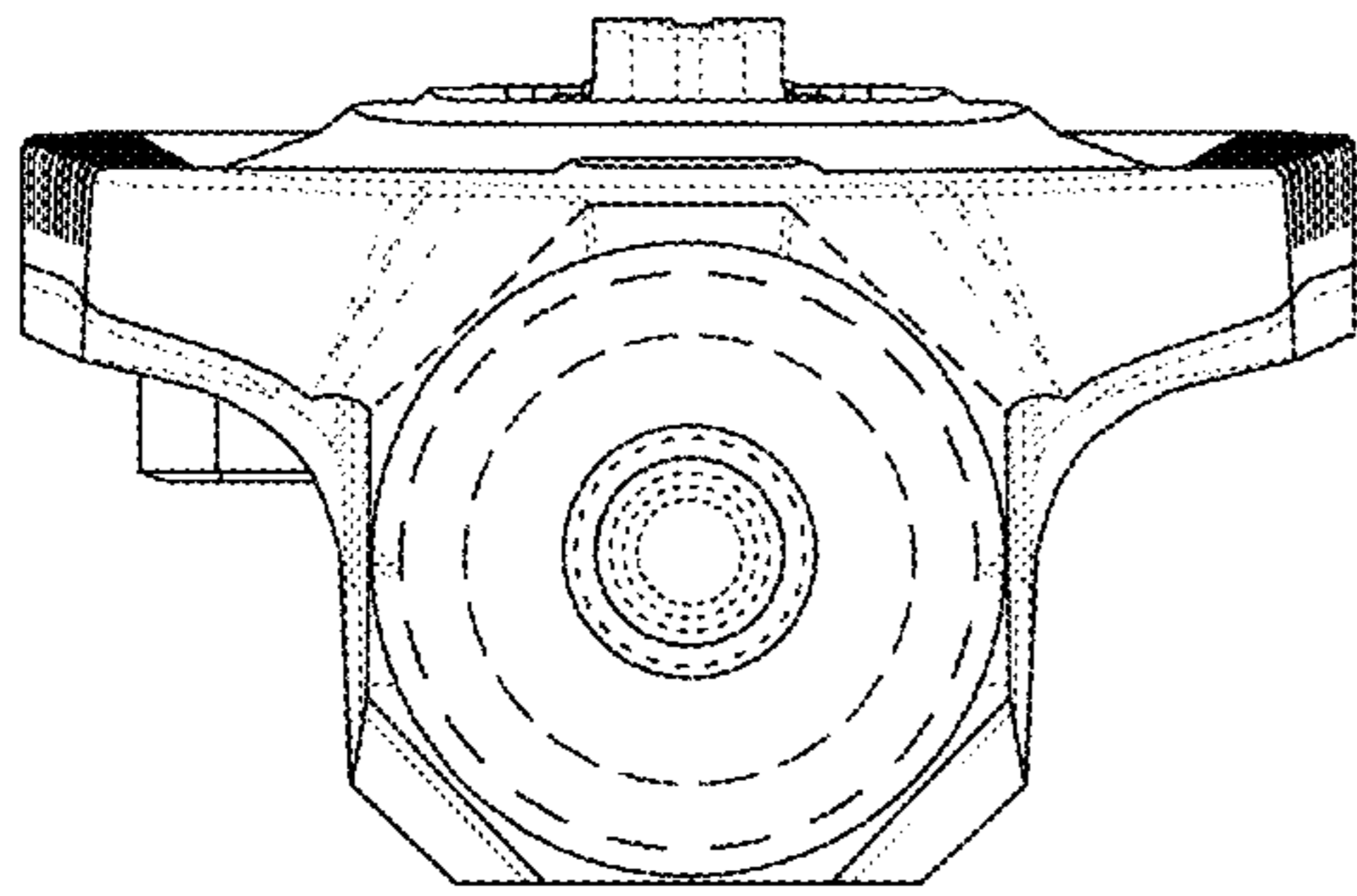


FIG. 5

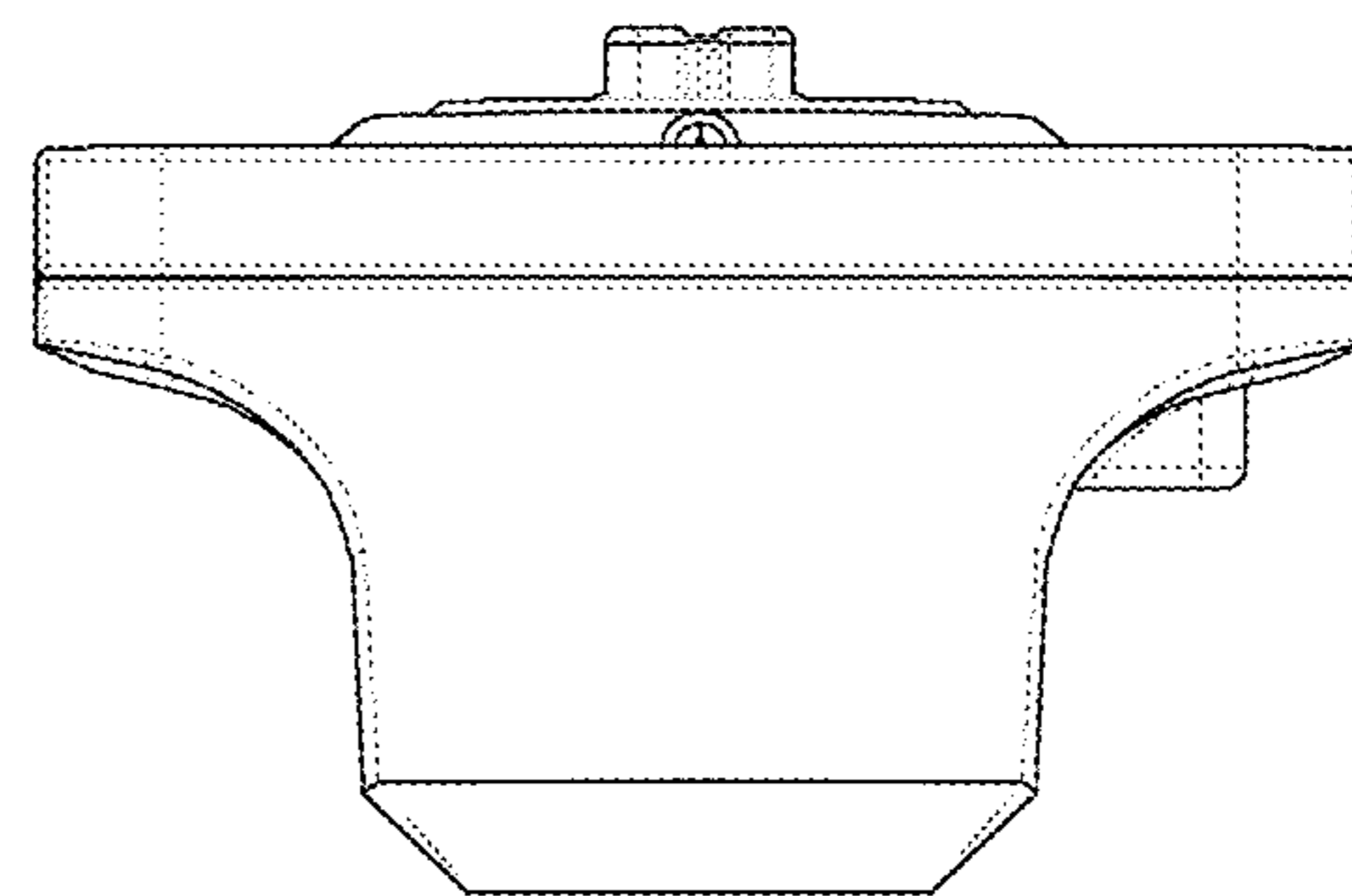


FIG. 6

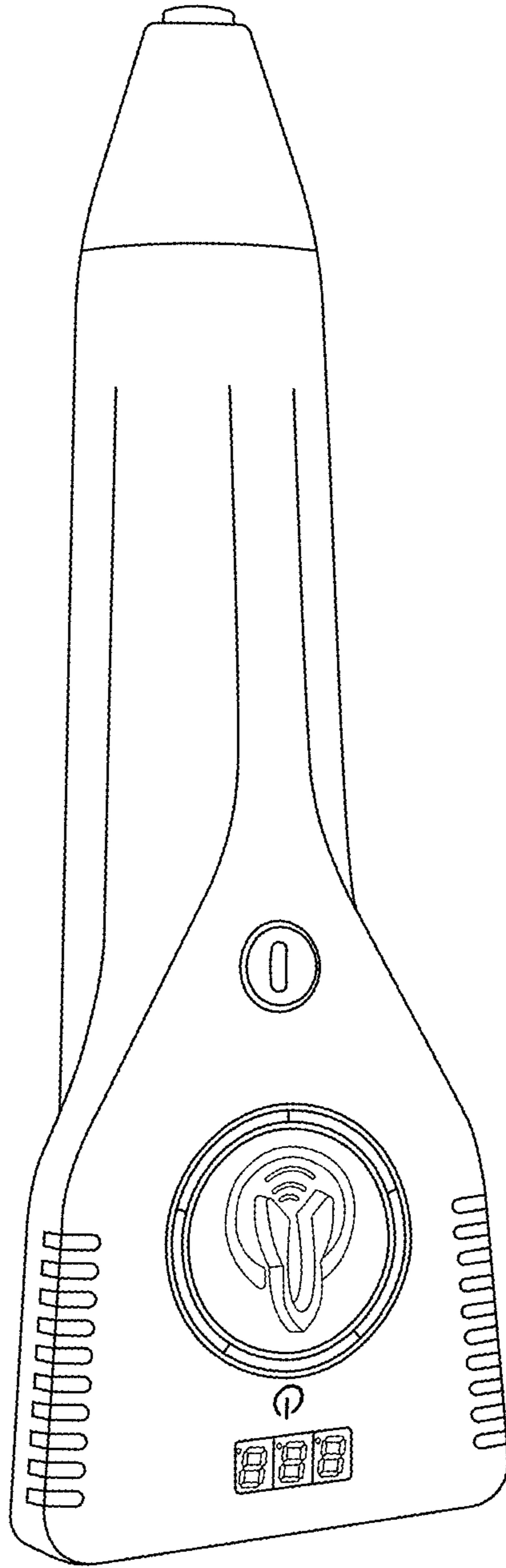


FIG. 7

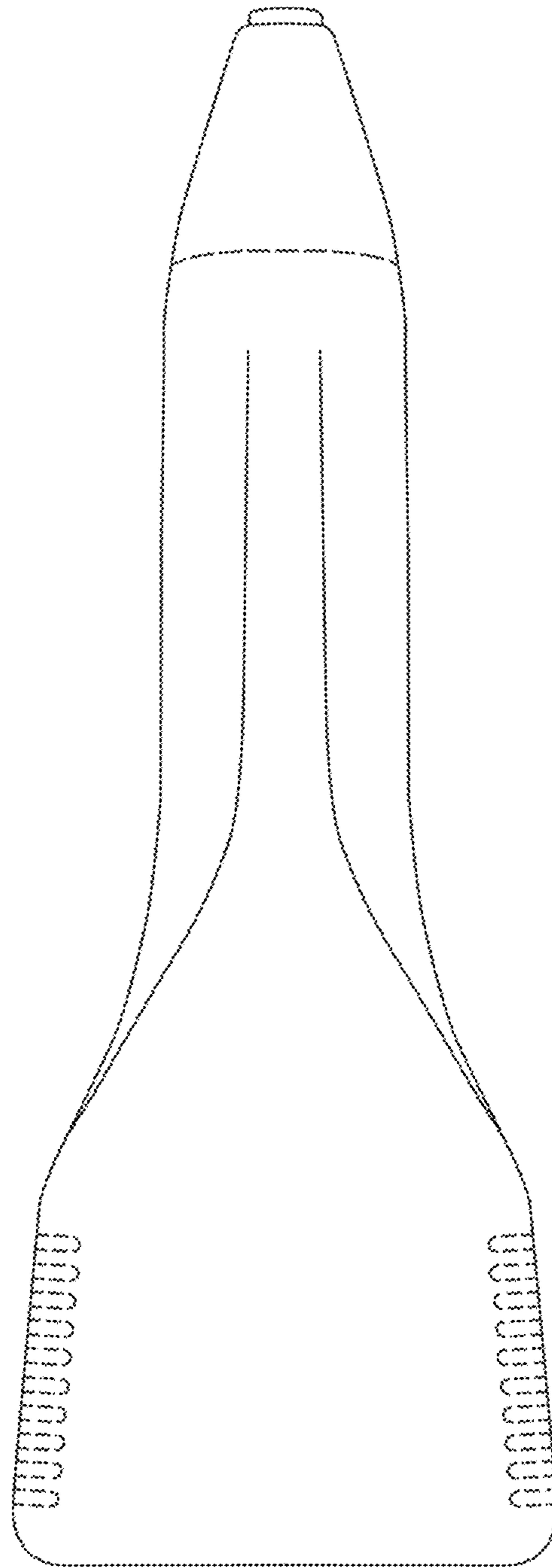


FIG. 8

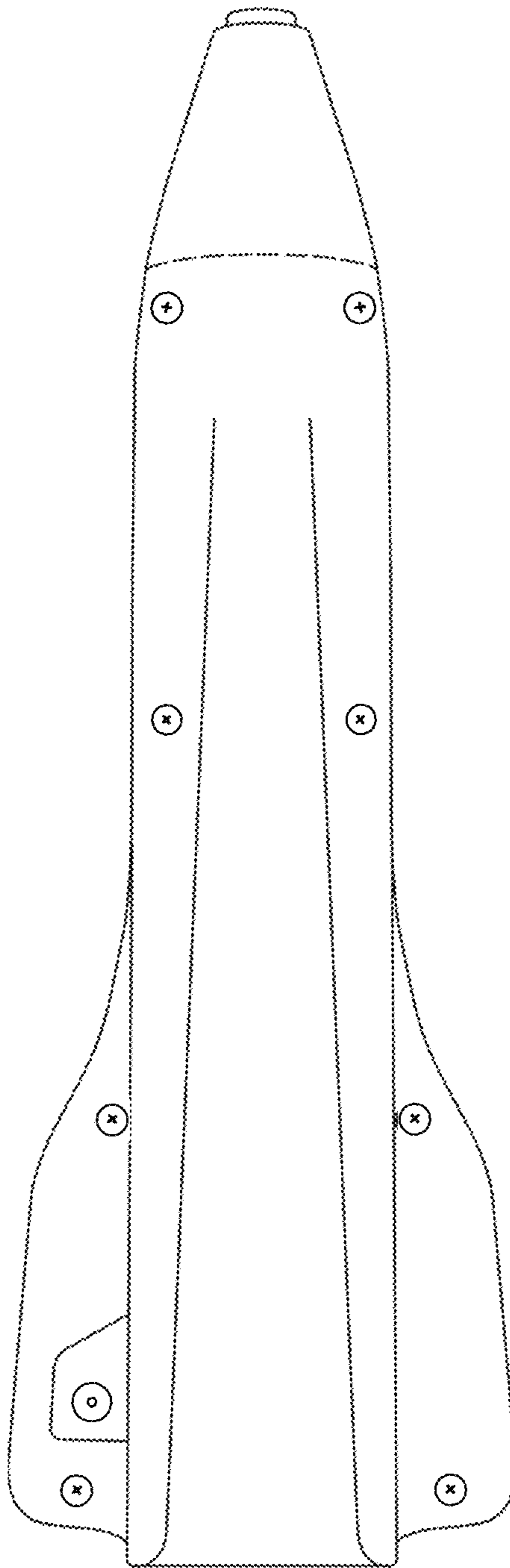


FIG. 9

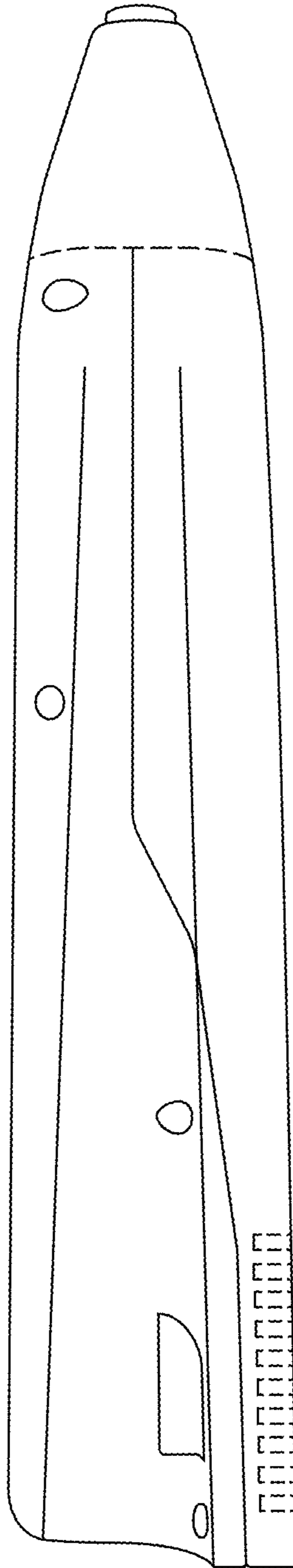


FIG. 10

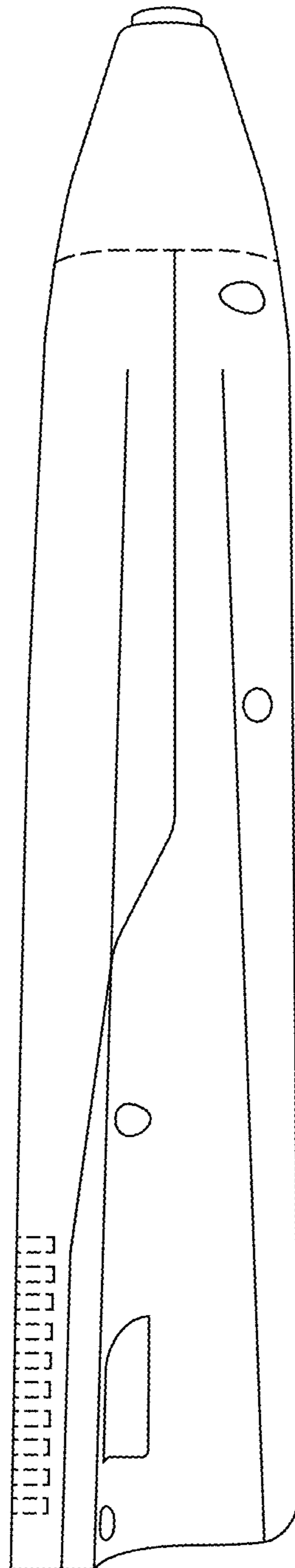


FIG. 11

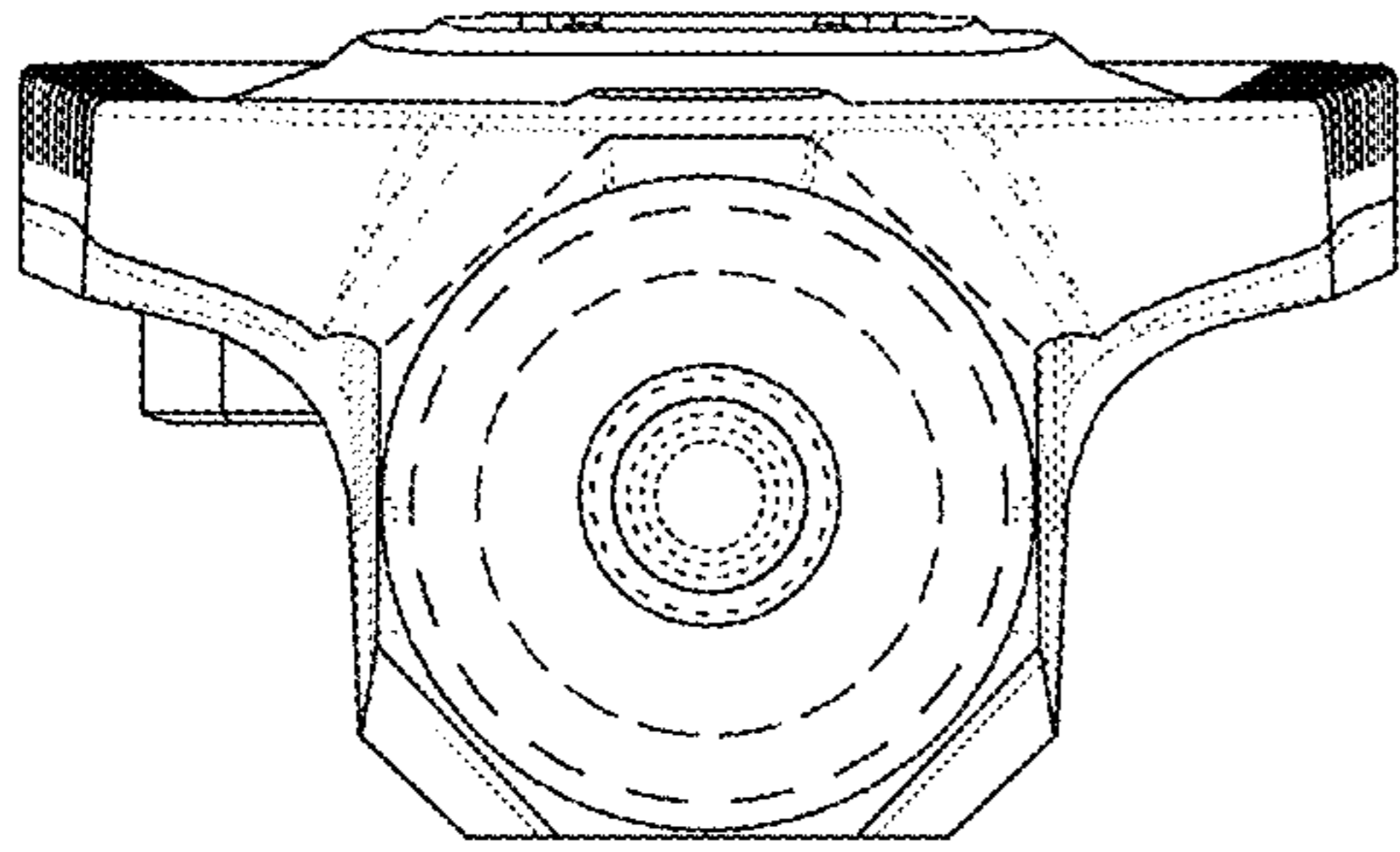


FIG. 12

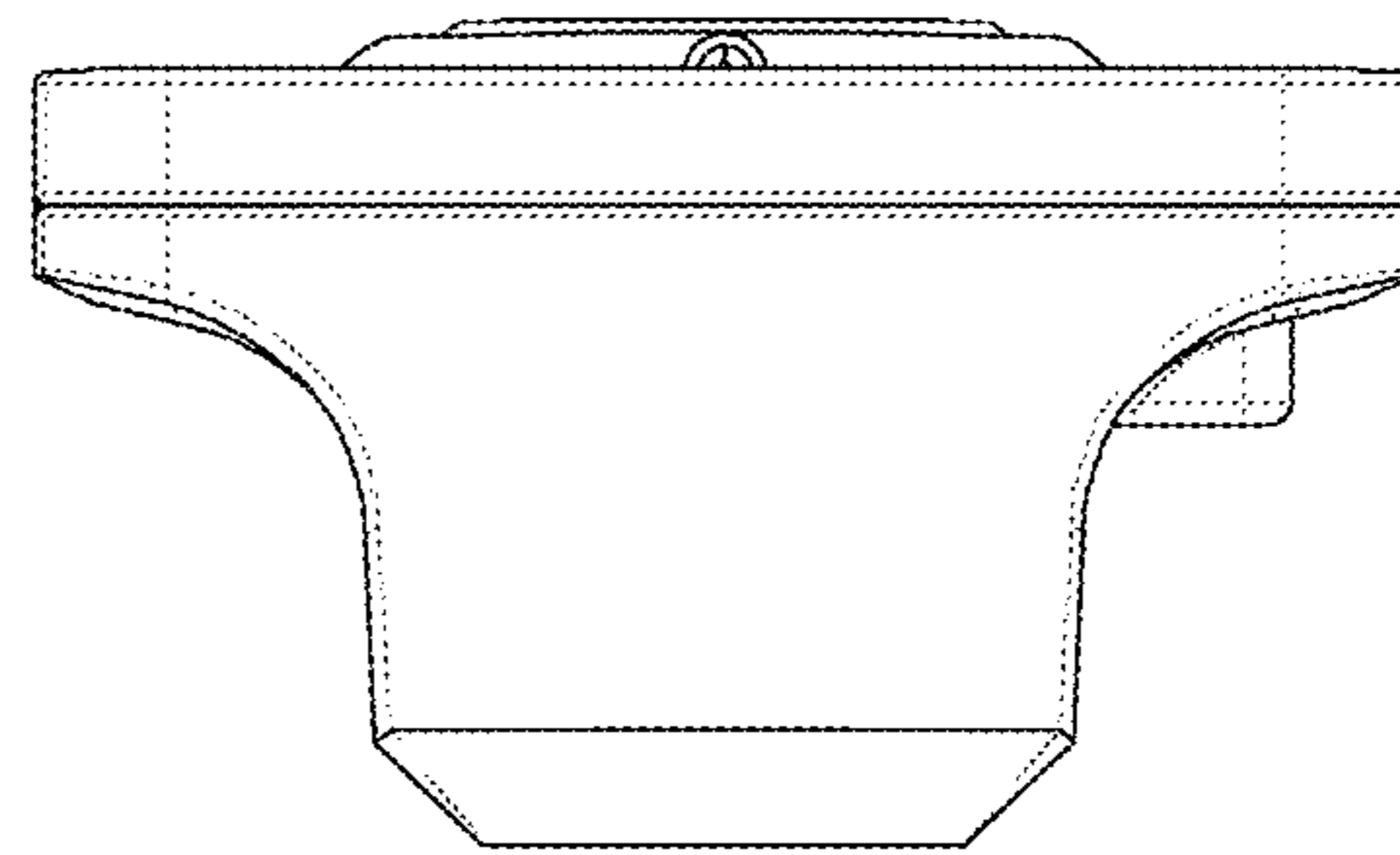


FIG. 13

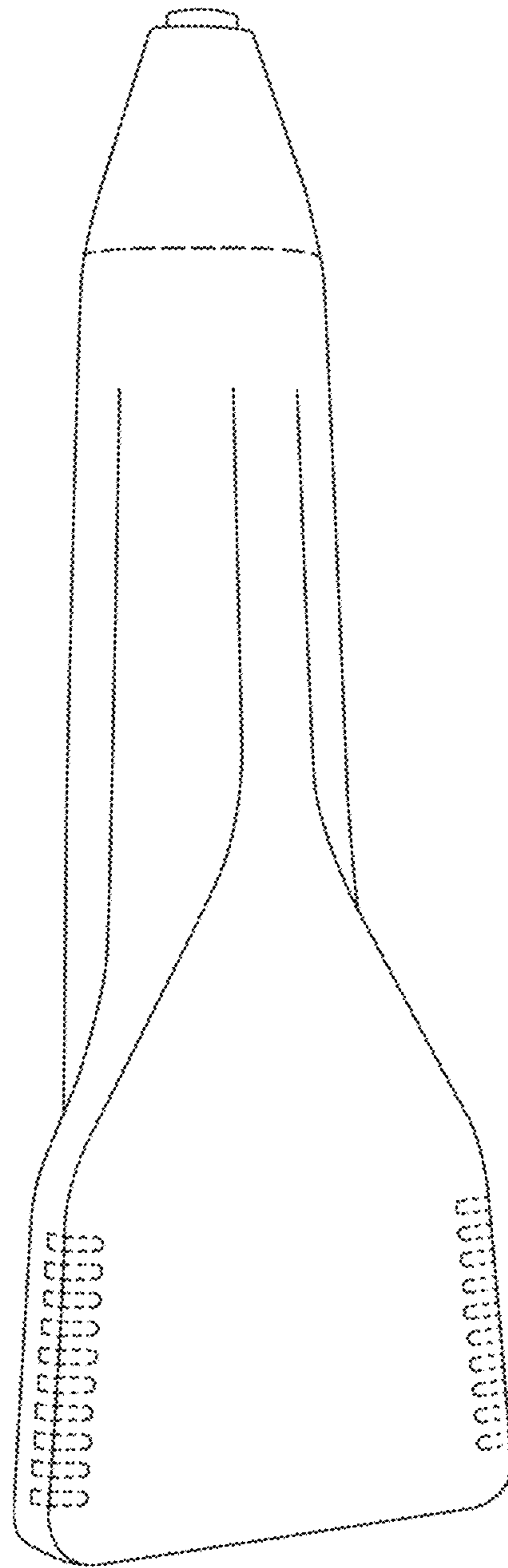


FIG. 14