



US00D950081S

(12) **United States Design Patent**  
**Lam**

(10) **Patent No.:** **US D950,081 S**

(45) **Date of Patent:** **\*\* Apr. 26, 2022**

- (54) **DEVICE CASING WITH COLOR CODED POWER SETTING BUTTONS AND TWO PROBE HOLDING CONNECTORS**
- (71) Applicant: **Lam Skin Care Products Limited**,  
Scarborough (CA)
- (72) Inventor: **L. Debbie Lam**, Pickering (CA)
- (\*\*) Term: **15 Years**
- (21) Appl. No.: **29/689,140**
- (22) Filed: **Apr. 26, 2019**
- (51) **LOC (13) Cl.** ..... **28-03**
- (52) **U.S. Cl.**  
USPC ..... **D24/200**
- (58) **Field of Classification Search**  
USPC ..... D24/107, 133, 137, 138, 141, 147,  
D24/158-161, 164, 165, 167, 170,  
D24/185-187, 130, 112, 113, 146, 200,  
D24/216, 223, 231-234, 168, 23, 110,  
D24/144, 209, 214, 215; D10/57, 60, 78,  
D10/80, 81, 70, 75, 98; D6/709;  
D14/420, 126, 336, 371, 374, 448;  
D23/370, 332; D15/144  
CPC ..... A61B 17/0469; A61B 17/0482; A61B  
2017/2927; A61B 8/0437; A61B 8/0883;  
A61B 8/4405; A61B 8/4427; A61B  
8/445; A61B 5/742; A61B 5/7425; A61B  
5/6898; A61B 5/02405; A61B 5/02411;  
A61B 5/02427; A61B 5/02438; A61B  
5/0002; A61B 5/002; A61B 5/04325;  
B41J 2/17513; G01N 21/0483; G01N  
21/0303; G01N 21/6428; G01N 21/6486;  
G01N 35/00029; G01N 35/00019; G01N  
2035/00326; A62B 9/003; A61H 7/00;  
A61H 7/001; A61H 7/002; A61H 7/003;  
A61H 7/004; A61H 7/005; A61H 7/008;  
A61H 23/02; A61H 23/06; A61H 9/0057;  
A61N 1/328; A61N 1/36; A61N 1/36021;  
A61N 1/06; A61N 5/0616; A61N 5/0613;  
A61N 2007/0034

See application file for complete search history.

(56) **References Cited**

U.S. PATENT DOCUMENTS

- D246,857 S \* 1/1978 Meuli ..... D10/81
- D250,810 S \* 1/1979 Stern ..... D10/46
- D250,934 S \* 1/1979 Fannin ..... D10/40

(Continued)

OTHER PUBLICATIONS

Lamprobe, [site visited Dec. 4, 2020]. Available from Internet.  
URL: <https://www.youtube.com/watch?v=DbRtygX5w4g> (Year: 2015).\*

(Continued)

*Primary Examiner* — T Chase Nelson  
*Assistant Examiner* — Kelly L Gross

(57) **CLAIM**

I claim the ornamental design for a device casing with color coded power setting buttons and two probe holding connectors, as shown and described.

**DESCRIPTION**

The file of this patent contains at least one drawing/photograph executed in color. Copies of this patent with color drawing(s)/photograph(s) will be provided by the Office upon request and payment of the necessary fee.

FIG. 1 is a front perspective view of the device casing with color coded power setting buttons and two probe holding connectors showing my new design;

FIG. 2 is front view thereof;

FIG. 3 is back view thereof;

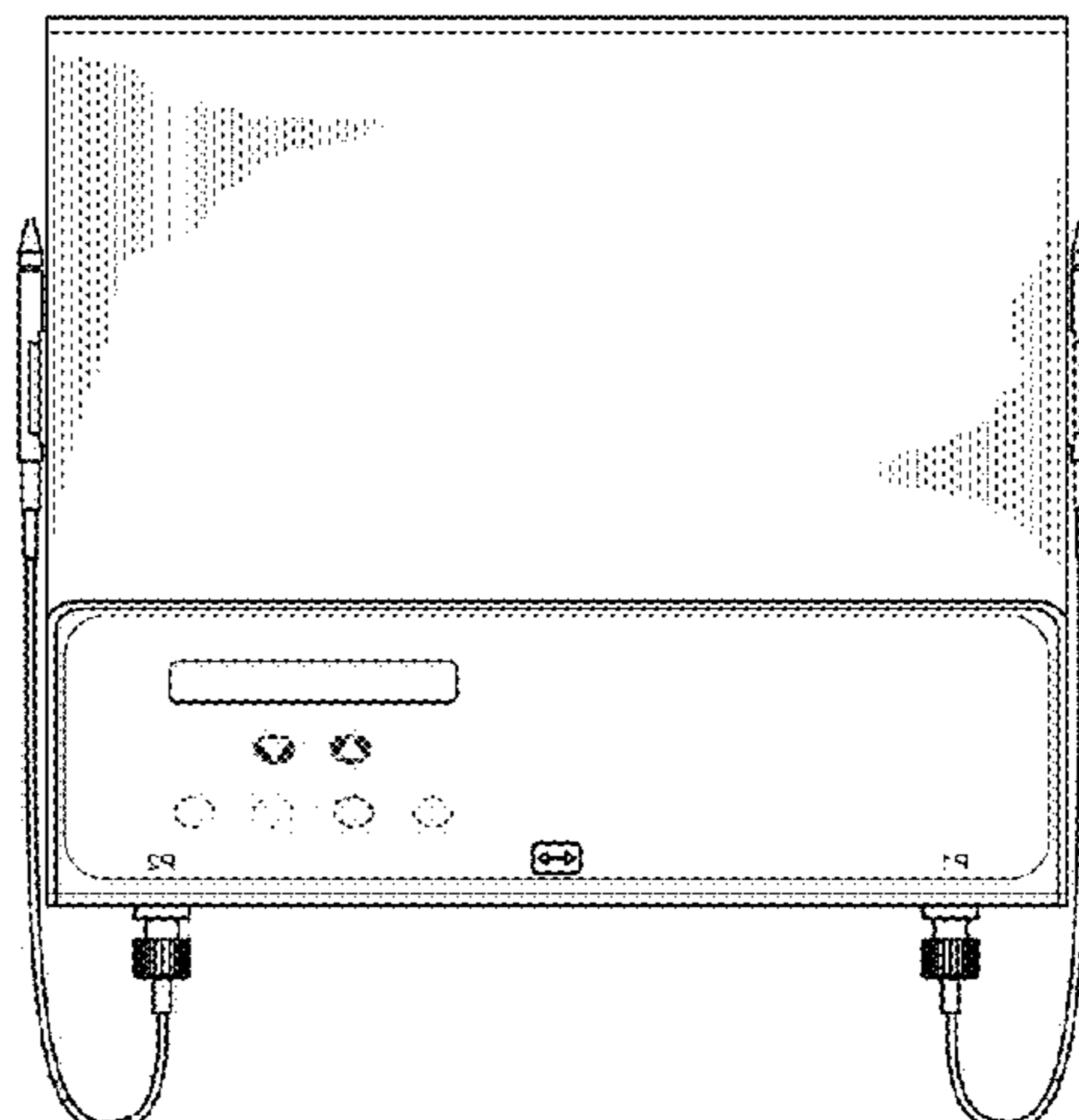
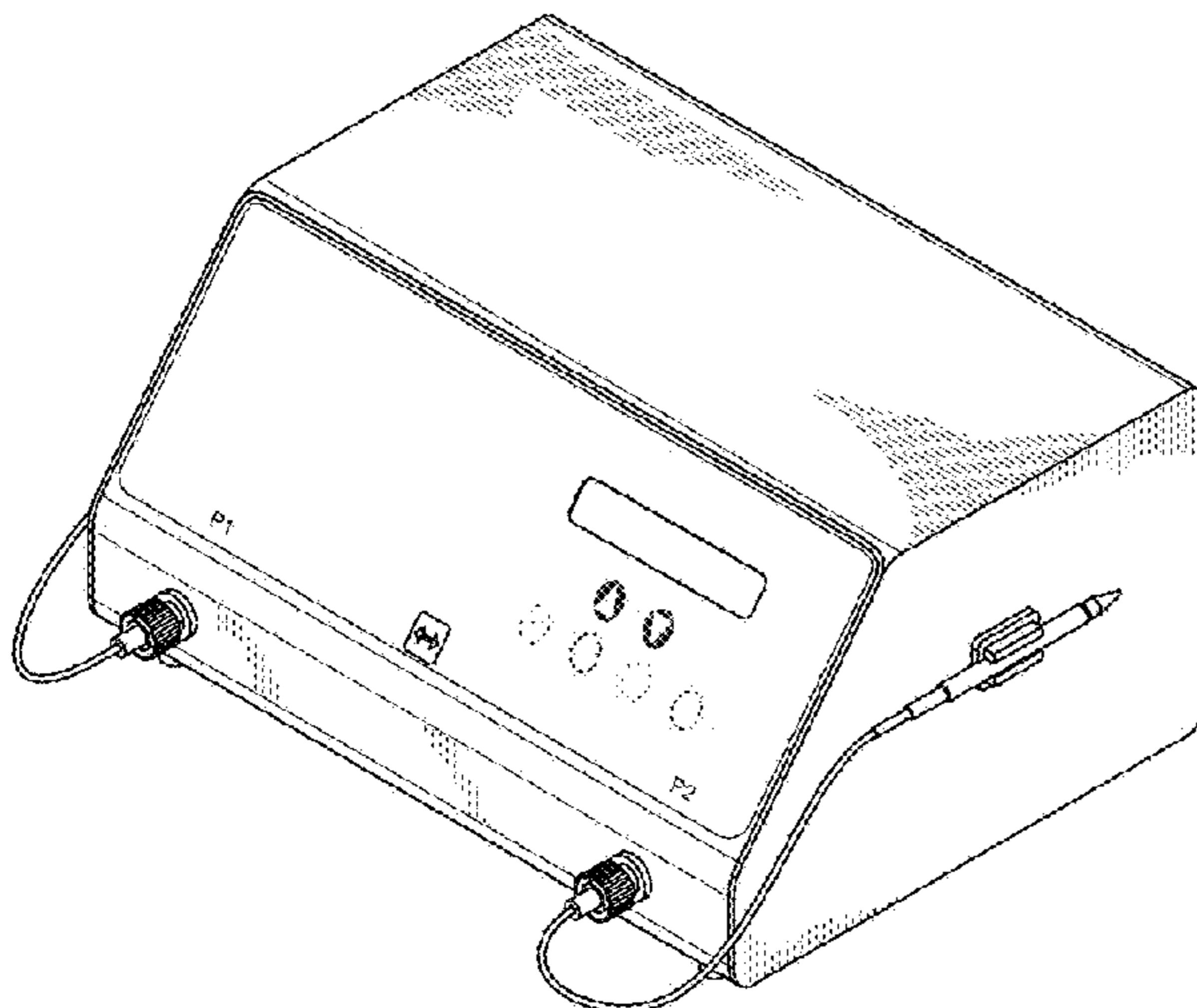
FIG. 4 is a left side view thereof;

FIG. 5 is a right side view thereof;

FIG. 6 is a top view thereof; and,

FIG. 7 is a bottom view thereof.

**1 Claim, 4 Drawing Sheets**  
**(3 of 4 Drawing Sheet(s) Filed in Color)**



(56)

References Cited

U.S. PATENT DOCUMENTS

4,580,570 A \* 4/1986 Sarrell ..... A61N 1/36021  
607/46  
D318,916 S \* 8/1991 Miller ..... D24/170  
D326,920 S \* 6/1992 Ridolfo ..... D24/200  
D346,025 S \* 4/1994 Chou ..... D24/144  
D351,655 S \* 10/1994 Smith ..... D24/143  
D359,353 S \* 6/1995 Butter ..... D24/144  
D360,036 S \* 7/1995 Doria ..... D24/200  
D362,721 S \* 9/1995 Peeler ..... D24/169  
D366,318 S \* 1/1996 Lukac ..... D24/144  
D384,159 S \* 9/1997 Tsai ..... D24/200  
D396,108 S \* 7/1998 Garito ..... D24/144  
D400,249 S \* 10/1998 Holubar ..... D24/107  
D404,004 S \* 1/1999 Cheng ..... D13/101  
D424,206 S \* 5/2000 Tafoya ..... D24/200  
D459,813 S \* 7/2002 Ramsey, III ..... D14/336  
D468,735 S \* 1/2003 Landerholm ..... D14/336  
D491,666 S \* 6/2004 Kimmell ..... D24/170  
D491,667 S \* 6/2004 Kimmell ..... D24/170  
D517,554 S \* 3/2006 Yanagisawa ..... D14/421  
D527,770 S \* 9/2006 Martin ..... D21/369  
D533,940 S \* 12/2006 Hayamizu ..... D24/138  
D534,654 S \* 1/2007 Hayamizu ..... D24/107  
D546,950 S \* 7/2007 Orth ..... D24/164  
D552,241 S \* 10/2007 Bromley ..... D24/170  
D585,056 S \* 1/2009 Ekelund ..... D14/336  
D598,551 S \* 8/2009 Miwa ..... D24/186  
D609,344 S \* 2/2010 Hara ..... D24/165  
D612,503 S \* 3/2010 Johnston ..... D24/186  
D640,376 S \* 6/2011 Amano ..... D24/138  
D640,377 S \* 6/2011 Amano ..... D24/138  
D663,423 S \* 7/2012 Kagawa ..... D24/177  
D668,251 S \* 10/2012 Morrell ..... D14/383  
D668,336 S \* 10/2012 Yanagawa ..... D24/144  
D669,181 S \* 10/2012 Prado ..... D24/158  
D669,993 S \* 10/2012 Merchant ..... D24/170  
D670,386 S \* 11/2012 Yanagawa ..... D24/144  
D673,952 S \* 1/2013 Toda ..... D14/383  
D687,146 S \* 7/2013 Juzkiw ..... D24/170  
D689,037 S \* 9/2013 Sumi ..... D14/159  
8,574,187 B2 \* 11/2013 Marion ..... A61B 18/18  
604/37  
D699,844 S \* 2/2014 Yoshida ..... D24/138  
D704,839 S \* 5/2014 Juzkiw ..... D24/170  
D708,757 S \* 7/2014 Shibata ..... D24/216  
D712,031 S \* 8/2014 Feng ..... D24/144  
D724,979 S \* 3/2015 Hurzook ..... D10/81  
D728,776 S \* 5/2015 Rogers ..... D24/107  
D735,865 S \* 8/2015 Nishimura ..... D24/164  
D735,878 S \* 8/2015 Chang ..... D24/216  
D736,370 S \* 8/2015 Sabin ..... D24/111  
D737,447 S \* 8/2015 Fluxman ..... D24/169  
D737,449 S \* 8/2015 Zheng ..... D24/170  
D737,702 S \* 9/2015 Selberg ..... D10/81  
D746,476 S \* 12/2015 Noda ..... D24/186  
D748,803 S \* 2/2016 Zhang ..... D24/170  
D757,955 S \* 5/2016 Johnson ..... D24/209  
D759,230 S \* 6/2016 Gordon ..... D24/110  
D759,253 S \* 6/2016 Bar-Or ..... D24/186  
D762,254 S \* 7/2016 Kita ..... D15/144.2  
D767,756 S \* 9/2016 Sabin ..... D24/111  
D768,862 S \* 10/2016 Werner ..... D24/176  
D770,051 S \* 10/2016 Eggli ..... D24/186  
D770,451 S \* 11/2016 Gilbertson ..... D14/383  
D776,819 S \* 1/2017 Vybornov ..... D24/160  
D777,772 S \* 1/2017 Zhang ..... D14/488  
D783,164 S \* 4/2017 Tanaka ..... D24/138  
D783,165 S \* 4/2017 Ohno ..... D24/138  
D789,532 S \* 6/2017 Tanaka ..... D24/138  
D793,554 S \* 8/2017 Shimobayashi ..... D24/138  
D794,209 S \* 8/2017 Hsieh ..... D24/200  
D797,744 S \* 9/2017 Tan ..... D14/422  
D800,320 S \* 10/2017 Nishikawa ..... D24/186  
D805,639 S \* 12/2017 Lee ..... D24/144  
D812,005 S \* 3/2018 Lee ..... D13/110

D813,391 S \* 3/2018 Duncan ..... D24/152  
D817,313 S \* 5/2018 Horito ..... D14/240  
D817,480 S \* 5/2018 Sabin ..... D24/111  
D818,146 S \* 5/2018 Tanaka ..... D24/216  
D819,225 S \* 5/2018 Mead ..... D24/233  
D822,214 S \* 7/2018 Iles ..... D24/186  
D827,008 S \* 8/2018 Okada ..... D16/131  
D827,859 S \* 9/2018 Mathers ..... D24/232  
D829,337 S \* 9/2018 Klein ..... D24/216  
D832,838 S \* 11/2018 Monroe ..... D14/358  
D835,281 S \* 12/2018 Clifford ..... A61B 18/18  
D24/185  
D835,291 S \* 12/2018 Lei ..... D24/209  
D847,987 S \* 5/2019 Di Sessa ..... D24/144  
D848,880 S \* 5/2019 Smith ..... D10/81  
D851,255 S \* 6/2019 Fluxman ..... D24/169  
D853,873 S \* 7/2019 Schueren ..... D10/81  
D860,941 S \* 9/2019 Wheeler ..... D13/112  
D863,294 S \* 10/2019 Haaksma ..... D14/341  
D865,962 S \* 11/2019 Tanaka ..... D24/138  
D866,760 S \* 11/2019 Tanaka ..... D24/138  
D868,957 S \* 12/2019 Chase ..... D24/107  
D869,684 S \* 12/2019 Ma ..... D24/232  
D871,582 S \* 12/2019 Hirasawa ..... D24/165  
D873,231 S \* 1/2020 Klein ..... D14/149  
D873,823 S \* 1/2020 Kurita ..... D14/371  
D879,059 S \* 3/2020 Saito ..... D14/126  
D882,110 S \* 4/2020 Klein ..... D24/216  
D884,187 S \* 5/2020 Robert ..... D24/164  
D884,190 S \* 5/2020 Canady ..... D24/170  
D888,705 S \* 6/2020 Saito ..... D14/307  
D888,985 S \* 6/2020 Hsieh ..... D24/232  
D895,123 S \* 9/2020 He ..... D24/186  
D901,695 S \* 11/2020 Zhou ..... D24/186  
D902,435 S \* 11/2020 Dutra ..... D24/232  
D903,132 S \* 11/2020 Shavit ..... D24/200  
D903,133 S \* 11/2020 Shavit ..... D24/200  
10,835,183 B2 \* 11/2020 Sham ..... A61B 5/0215  
D908,237 S \* 1/2021 Tan ..... D24/216  
D908,887 S \* 1/2021 Takahashi ..... D24/177  
D908,888 S \* 1/2021 Takahashi ..... D24/177  
D908,892 S \* 1/2021 Duignan ..... D24/186  
D909,469 S \* 2/2021 Watanabe ..... D18/4.6  
D910,853 S \* 2/2021 Zheng ..... D24/164  
D912,639 S \* 3/2021 Chang ..... D14/129  
D913,365 S \* 3/2021 Chuang ..... D18/4.6  
D914,905 S \* 3/2021 Wade ..... D24/216  
D914,906 S \* 3/2021 Klein ..... D24/216  
D915,611 S \* 4/2021 Probst ..... D24/200  
D916,287 S \* 4/2021 Marshall ..... D24/146  
D918,396 S \* 5/2021 Gray ..... D24/185  
D921,212 S \* 6/2021 Bockenstedt ..... D24/209  
D922,595 S \* 6/2021 Bockenstedt ..... D24/209  
D922,600 S \* 6/2021 Upsdell ..... D24/216  
D923,199 S \* 6/2021 Luther ..... D24/233  
D923,200 S \* 6/2021 Luther ..... D24/233  
D923,797 S \* 6/2021 Parks ..... D24/185  
D923,798 S \* 6/2021 Goulet ..... D24/185  
D926,995 S \* 8/2021 He ..... D24/185  
D928,975 S \* 8/2021 Bockenstedt ..... D24/209  
D930,146 S \* 9/2021 Ebeling ..... D24/110  
D932,047 S \* 9/2021 Holbl ..... D24/216  
D932,585 S \* 10/2021 Lebel ..... D23/207  
D932,929 S \* 10/2021 Stone ..... D10/81  
D933,848 S \* 10/2021 Shapiro ..... D24/220  
D935,027 S \* 11/2021 Larrow ..... D24/164  
D936,238 S \* 11/2021 Shapiro ..... D24/220  
2004/0073144 A1 \* 4/2004 Carava ..... A61H 9/005  
601/6  
2019/0151674 A1 \* 5/2019 Yoon ..... A61B 18/20

OTHER PUBLICATIONS

ThermoClear, [site visited Dec. 4, 2020]. Available from Internet.  
URL: [https://www.youtube.com/watch?v=fJqCeEK6J34&feature=emb\\_title](https://www.youtube.com/watch?v=fJqCeEK6J34&feature=emb_title) (Year: 2016).\*

\* cited by examiner

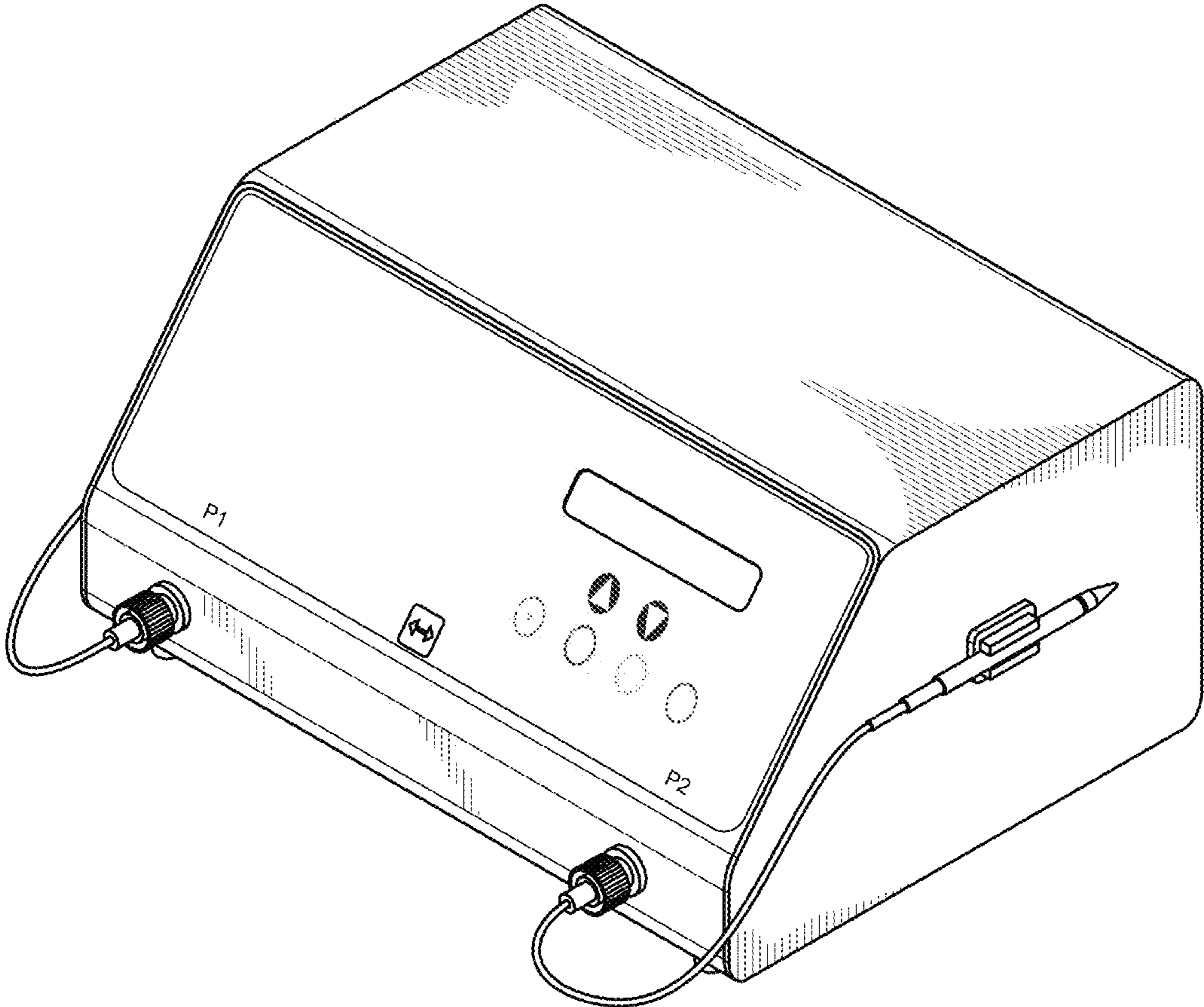


FIG. 1

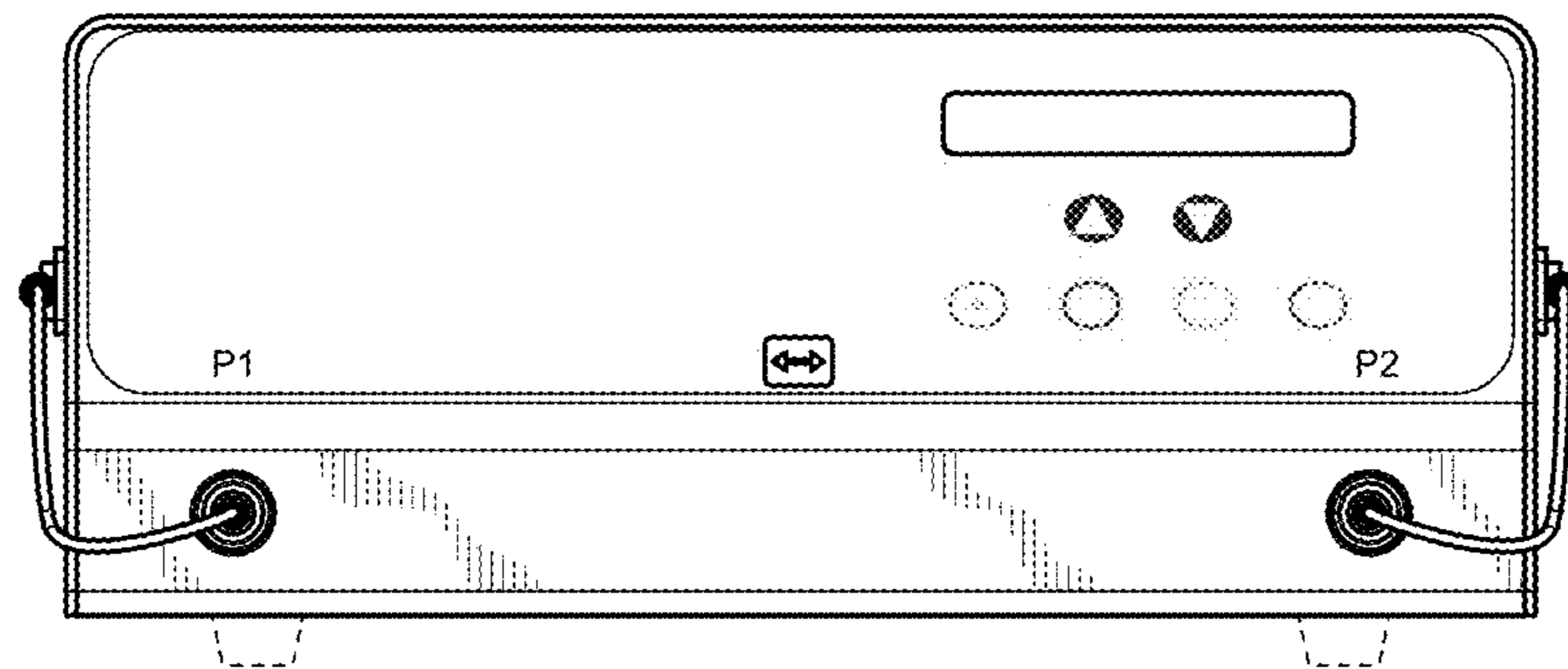


FIG. 2

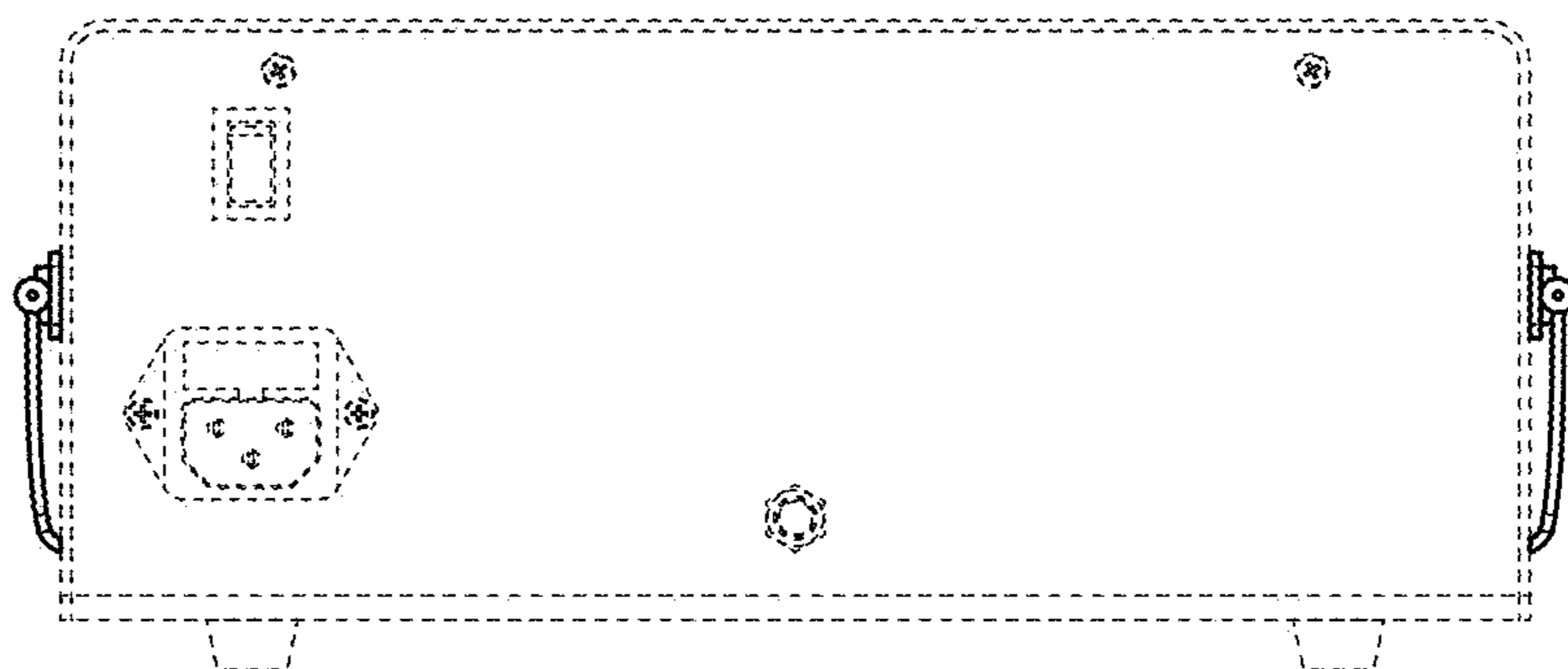


FIG. 3

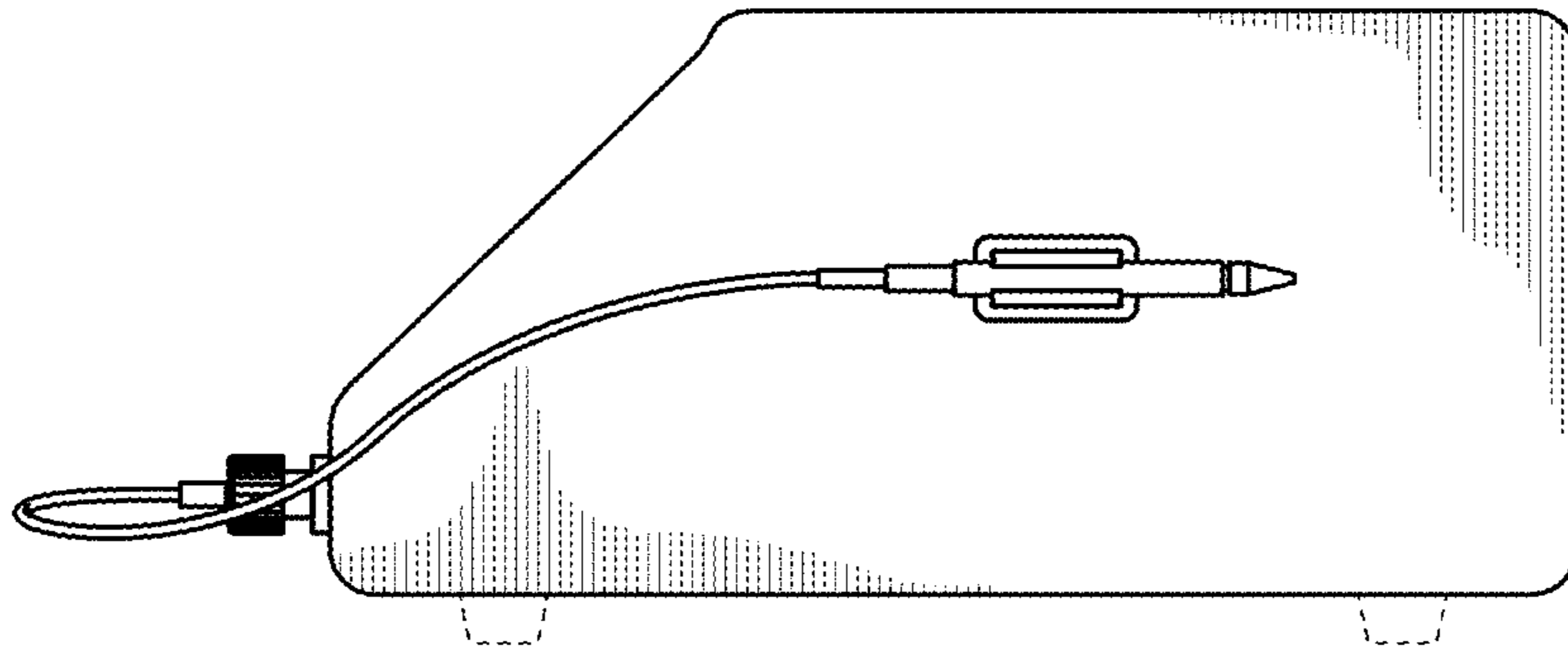


FIG. 4

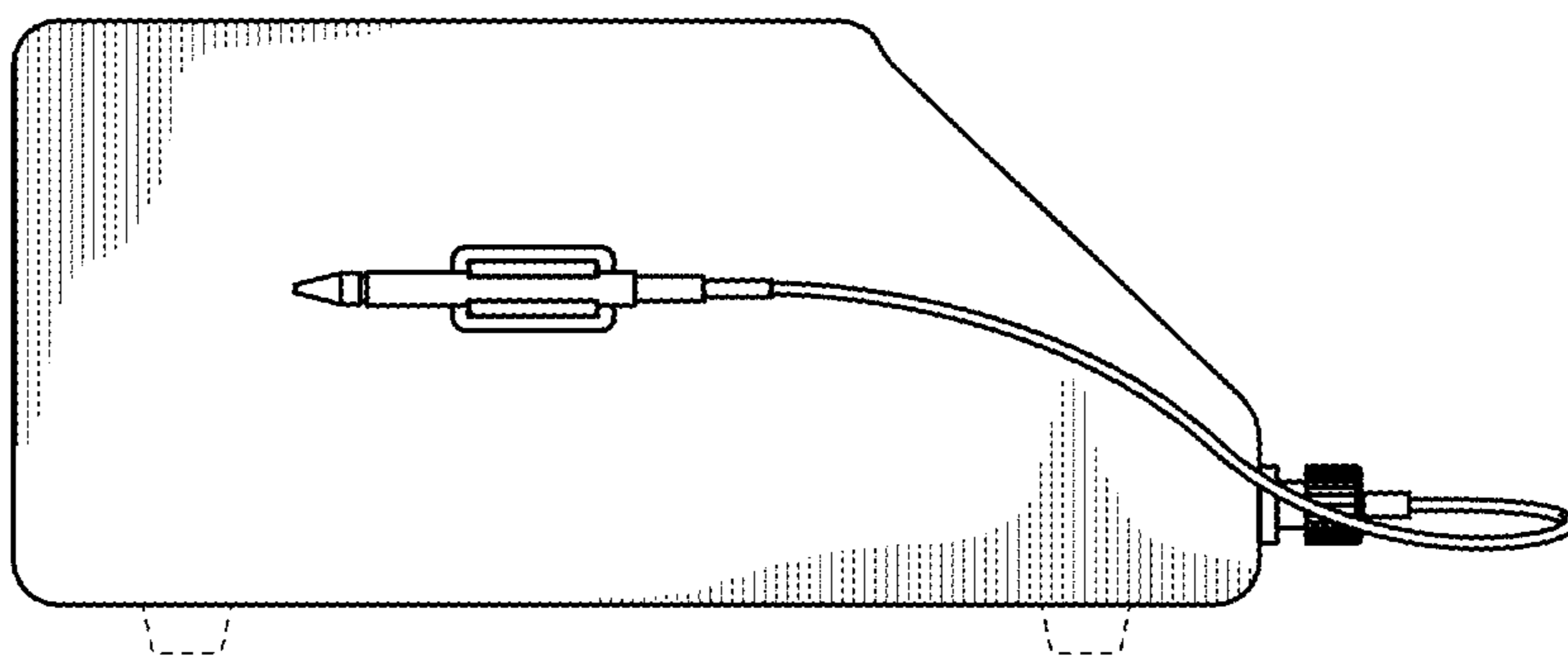


FIG. 5

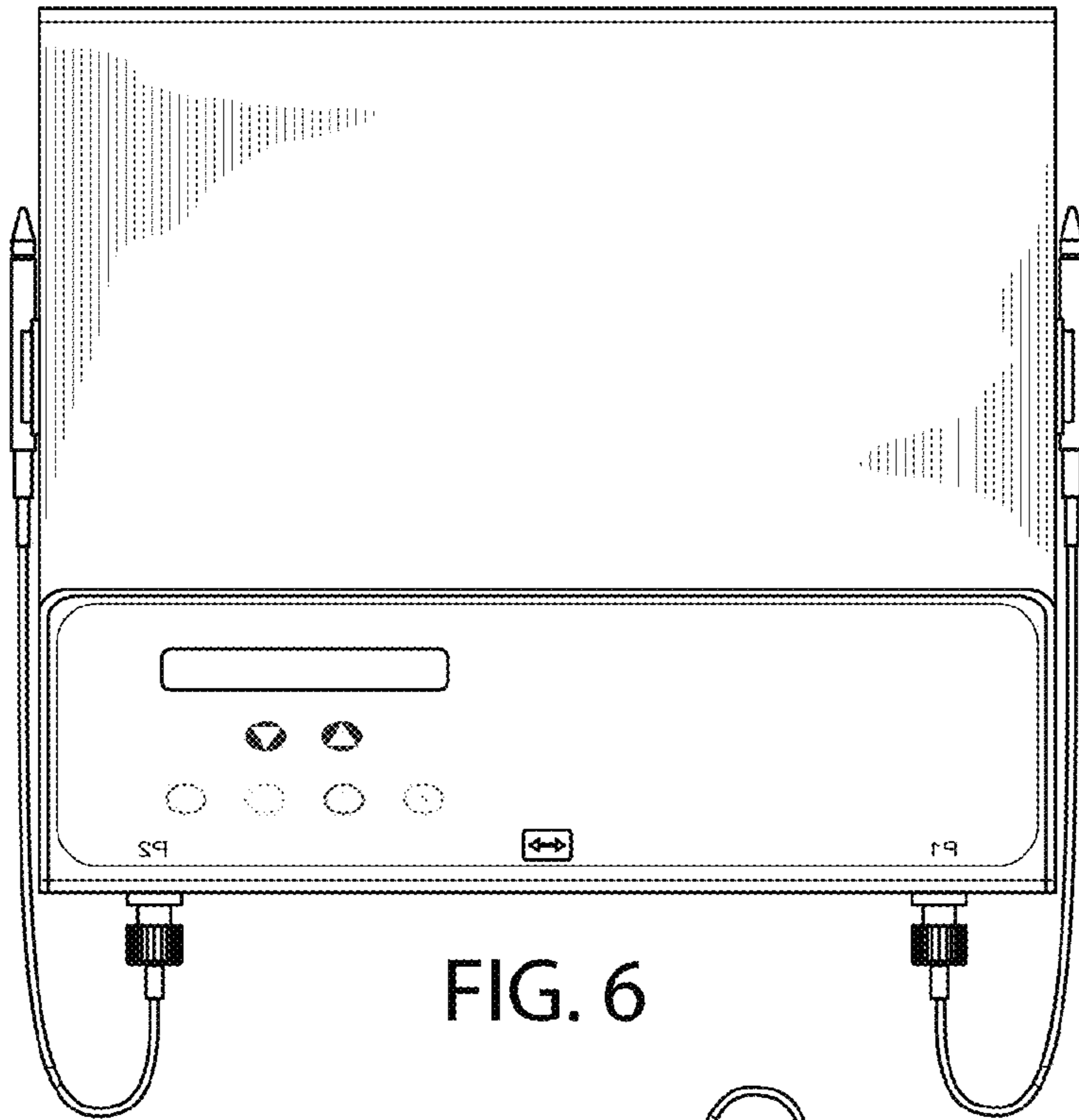


FIG. 6

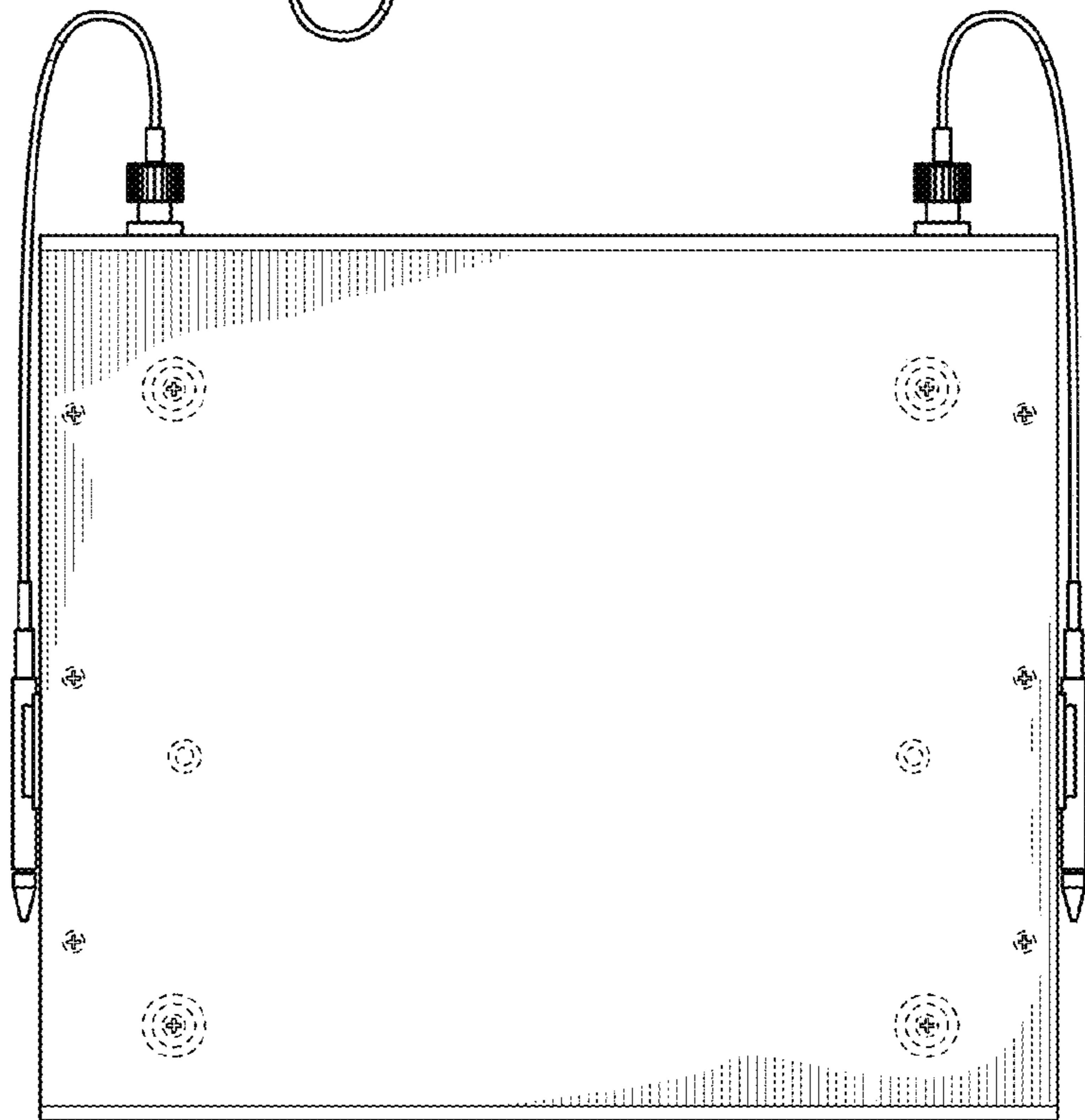


FIG. 7