



US00D950075S

(12) **United States Design Patent**
Thomas et al.

(10) **Patent No.:** **US D950,075 S**

(45) **Date of Patent:** **** Apr. 26, 2022**

(54) **BRACE ASSEMBLY**

(71) Applicant: **R&D Surgical Ltd**, Cardiff (GB)

(72) Inventors: **Roger Thomas**, Cardiff (GB); **David Thomas**, London (GB)

(73) Assignee: **R&D SURGICAL LTD**, Cardiff (GB)

(**) Term: **15 Years**

(21) Appl. No.: **29/755,274**

(22) Filed: **Oct. 19, 2020**

(51) **LOC (13) Cl.** **24-04**

(52) **U.S. Cl.**
USPC **D24/190**

(58) **Field of Classification Search**
USPC D24/188, 190–192, 200, 206, 214, 215,
D24/171, 199, 212, 213, 184, 189;
D2/970, 980, 984–986, 989, 701–702,
D2/627; D29/120.1, 121.2, 121.1, 122,
D29/113, 114, 100–101.3; D21/662
CPC A61F 5/028; A61F 5/026; A61F 5/024;
A61F 5/022; A61F 5/055; A61F
2250/001; A41D 13/0531; A41D 13/0153;
A41D 13/0525; A41D 2600/102
See application file for complete search history.

(56) **References Cited**

U.S. PATENT DOCUMENTS

D360,440 S *	7/1995	Banks	D21/662
D370,771 S *	6/1996	Randall	D29/101.5
D387,506 S *	12/1997	Kosh	D29/122
D406,455 S *	3/1999	Wagner, II	D3/226
D508,763 S *	8/2005	Serrano	D2/629
7,210,605 B2 *	5/2007	Willows	A41D 13/01 224/623
D624,245 S *	9/2010	Willows	D29/101.2
D649,648 S *	11/2011	Cavalieri	A61F 5/028 D24/190

D657,951 S *	4/2012	Davis	D3/222
D663,029 S *	7/2012	Holmen	D24/143
8,702,177 B1 *	4/2014	Hogue	A61F 5/3769 297/484
D708,345 S *	7/2014	Brady	D24/200
D713,997 S *	9/2014	Daugherty	D29/101.4
D718,438 S *	11/2014	Davis	D24/128
D725,786 S *	3/2015	Romo	D24/190
9,149,280 B2 *	10/2015	Croushorn	A61B 17/135
D745,218 S *	12/2015	Manley	D29/101.4
D754,779 S *	4/2016	Daniel	D16/243
D766,449 S *	9/2016	Cappa	D24/190
D776,423 S *	1/2017	Zhou	A41D 13/01 D3/216

(Continued)

OTHER PUBLICATIONS

Pectus Brace, [site visited Nov. 17, 2021]. Available from Internet.
URL: <https://pectusbrace.com/product/la-pectus-brace/> (Year: 2021).*

(Continued)

Primary Examiner — T Chase Nelson
Assistant Examiner — Kelly L Gross
(74) *Attorney, Agent, or Firm* — Innovation Capital Law
Group, LLP; Vic Lin

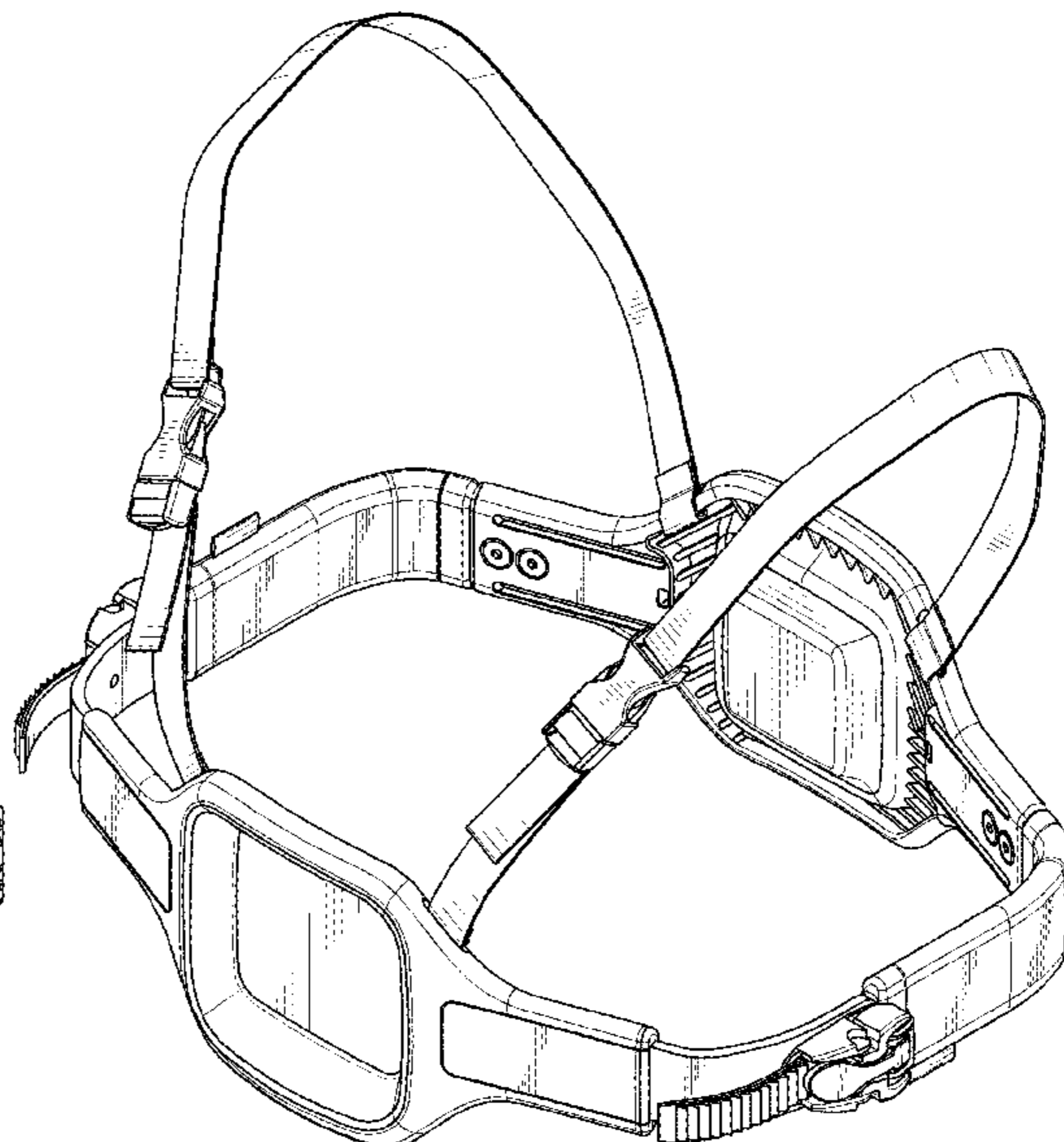
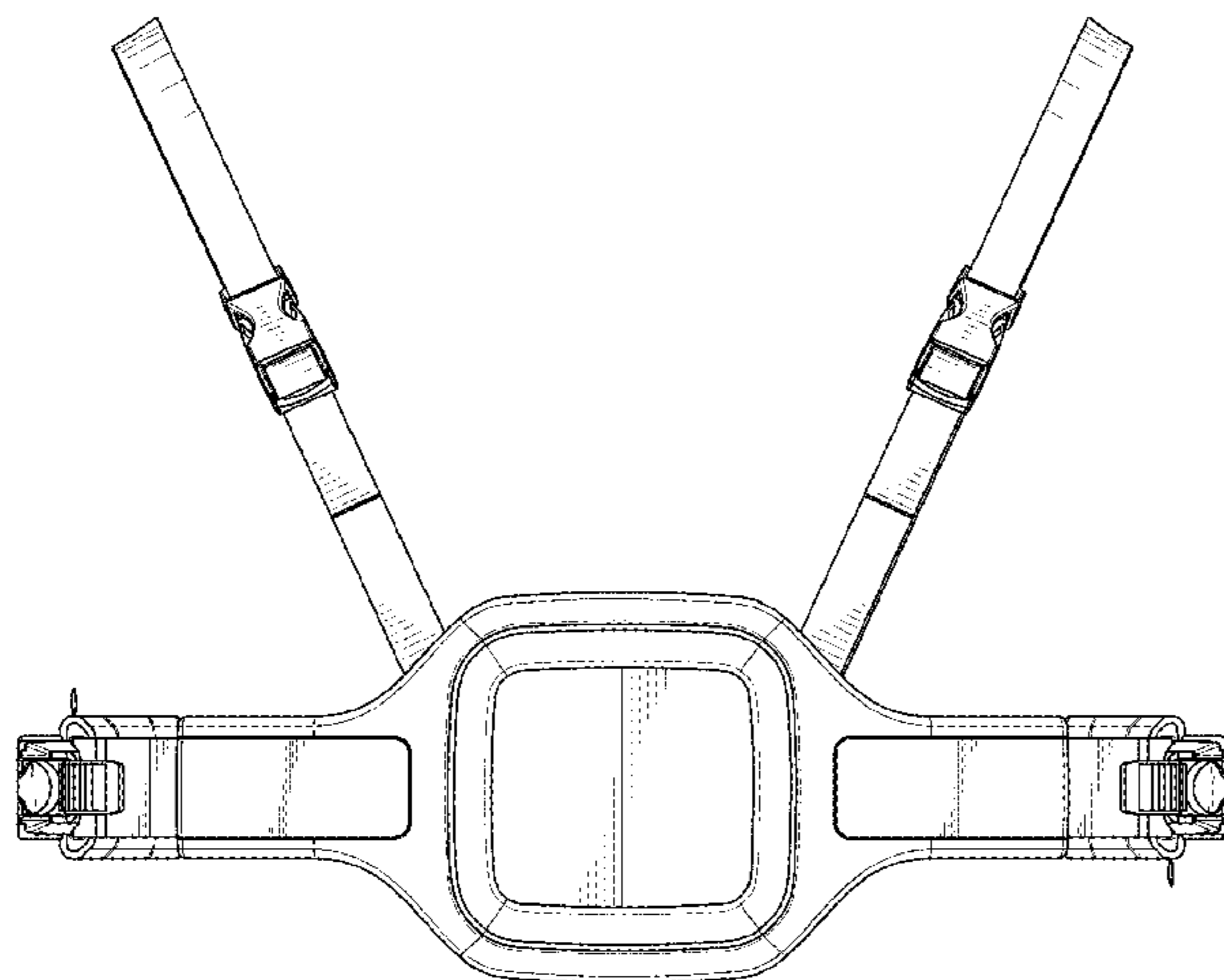
(57) **CLAIM**

The ornamental design for a brace assembly, as shown and described.

DESCRIPTION

FIG. 1 is a front elevation view of a brace assembly, showing our new design;
FIG. 2 is a rear elevation view thereof;
FIG. 3 is a left side elevation view thereof;
FIG. 4 is a right side elevation view thereof;
FIG. 5 is a top plan view thereof;
FIG. 6 is a bottom plan view thereof; and,
FIG. 7 is a front perspective view thereof.

1 Claim, 7 Drawing Sheets



(56)

References Cited

U.S. PATENT DOCUMENTS

D776,880 S * 1/2017 Nilsson D29/101.1
D778,532 S * 2/2017 Dorsey D2/624
9,597,219 B2 * 3/2017 Ingimundarson A61F 5/024
9,808,369 B1 * 11/2017 Gaylord A61F 5/028
D806,779 S * 1/2018 Martin A61F 5/024
D16/243
D811,613 S * 2/2018 Marton D24/190
D811,614 S * 2/2018 Marton D24/190
D816,234 S * 4/2018 Calvello D24/190
D822,915 S * 7/2018 McKee D30/152
D831,836 S * 10/2018 Campdera D24/200
D833,024 S * 11/2018 Chang A44B 11/125
D24/190
D843,666 S * 3/2019 Baghai D30/134
D876,653 S * 2/2020 Heller D24/190
10,772,754 B2 * 9/2020 van Beek A61F 5/058
D911,532 S * 2/2021 Wang D24/190
10,952,509 B2 * 3/2021 Simpson A44B 11/125
D915,062 S * 4/2021 Oller A61H 31/02
D3/215
D928,330 S * 8/2021 Itagaki D24/187
2004/0073150 A1 * 4/2004 Roballey A61F 5/024
602/36
2006/0047236 A1 * 3/2006 Hansen A61F 5/03
602/4
2017/0020768 A1 * 1/2017 Palmer A61H 31/02

OTHER PUBLICATIONS

<http://isurgical3d.com/services.php?cat=3>, iSurgical3d, Nov. 2013.
<http://www.pectuservices.com/>, T-Joe Pectus Bracing System, Pectus Services, Feb. 2016.

* cited by examiner

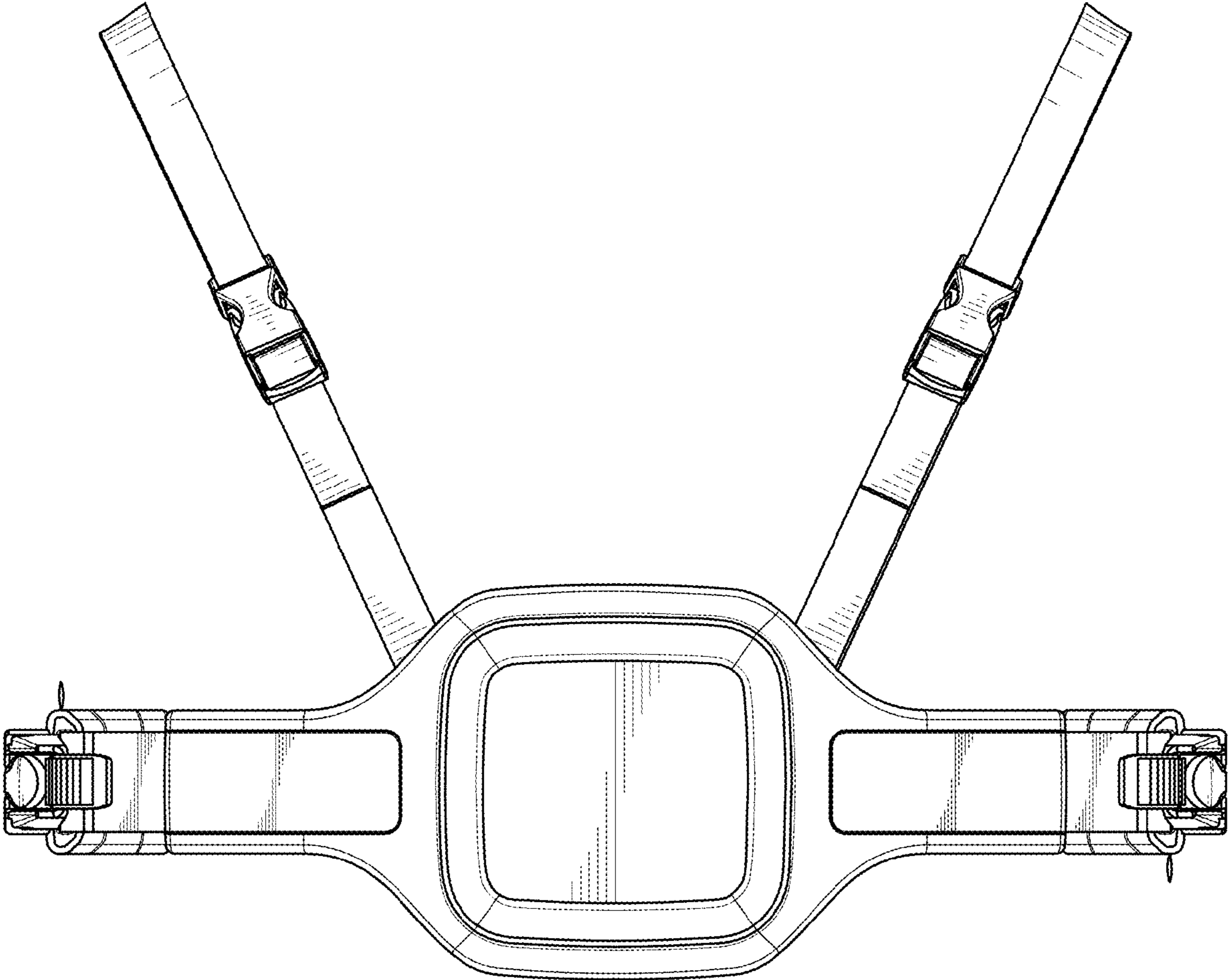


FIG. 1

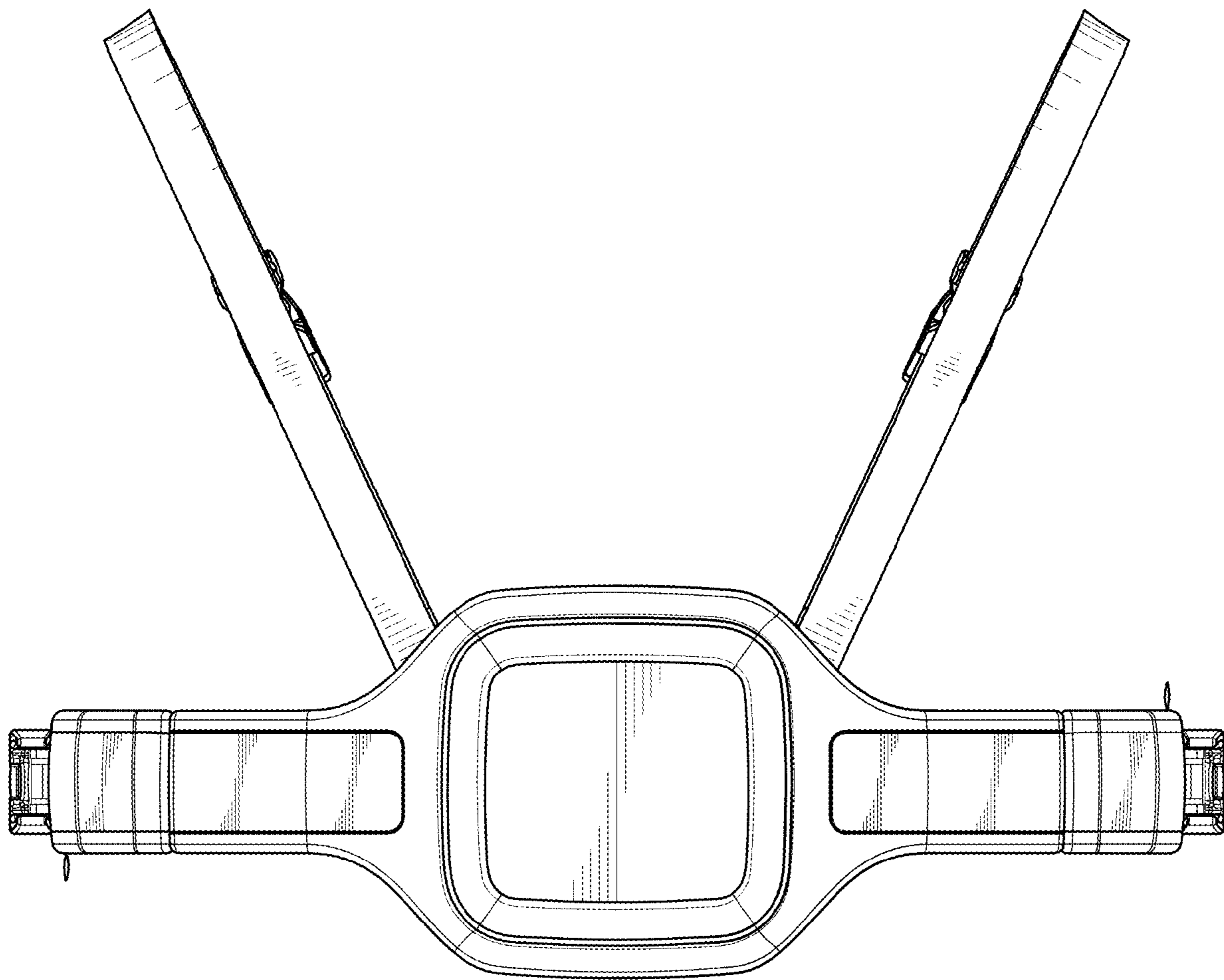


FIG. 2

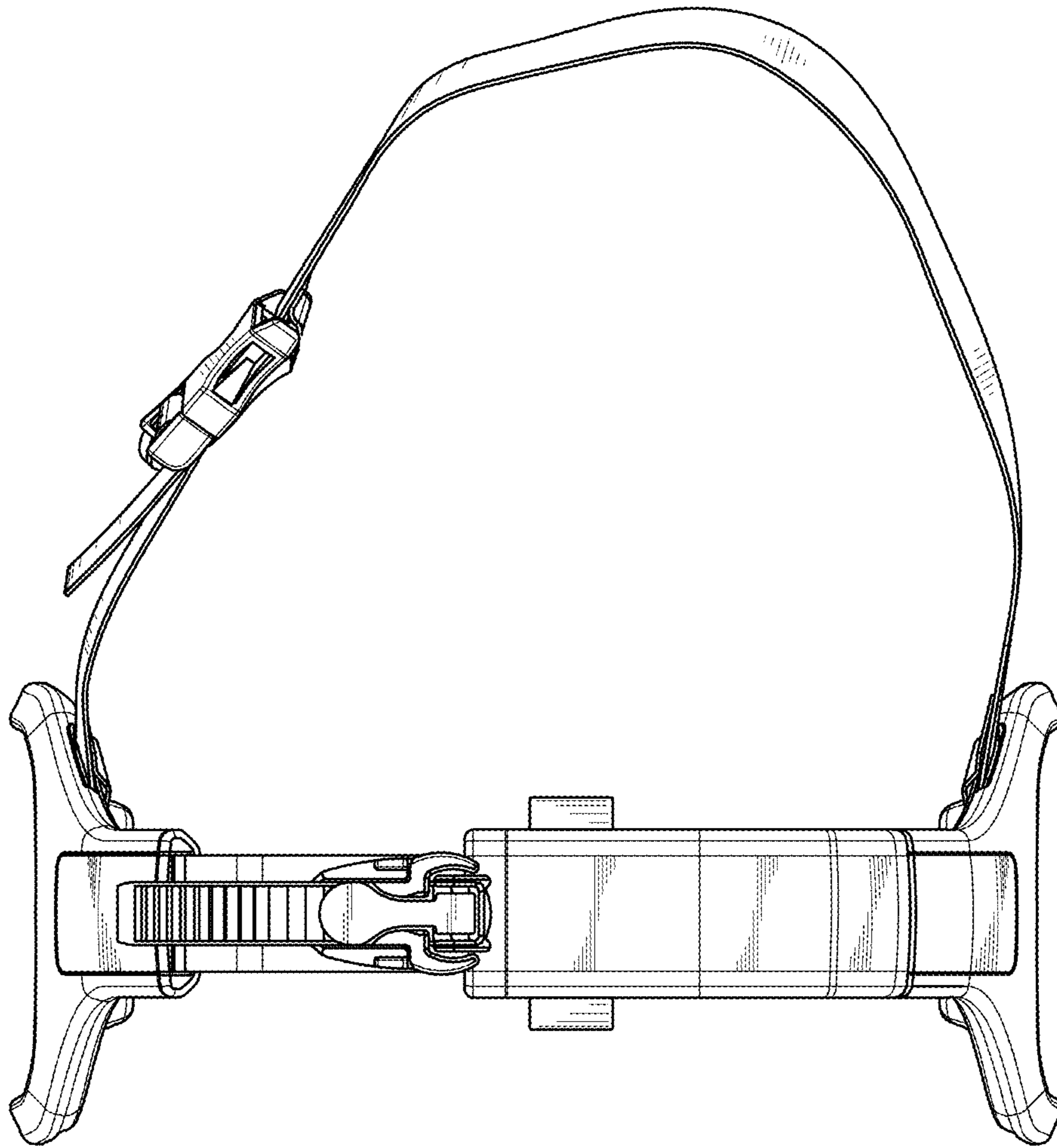


FIG. 3

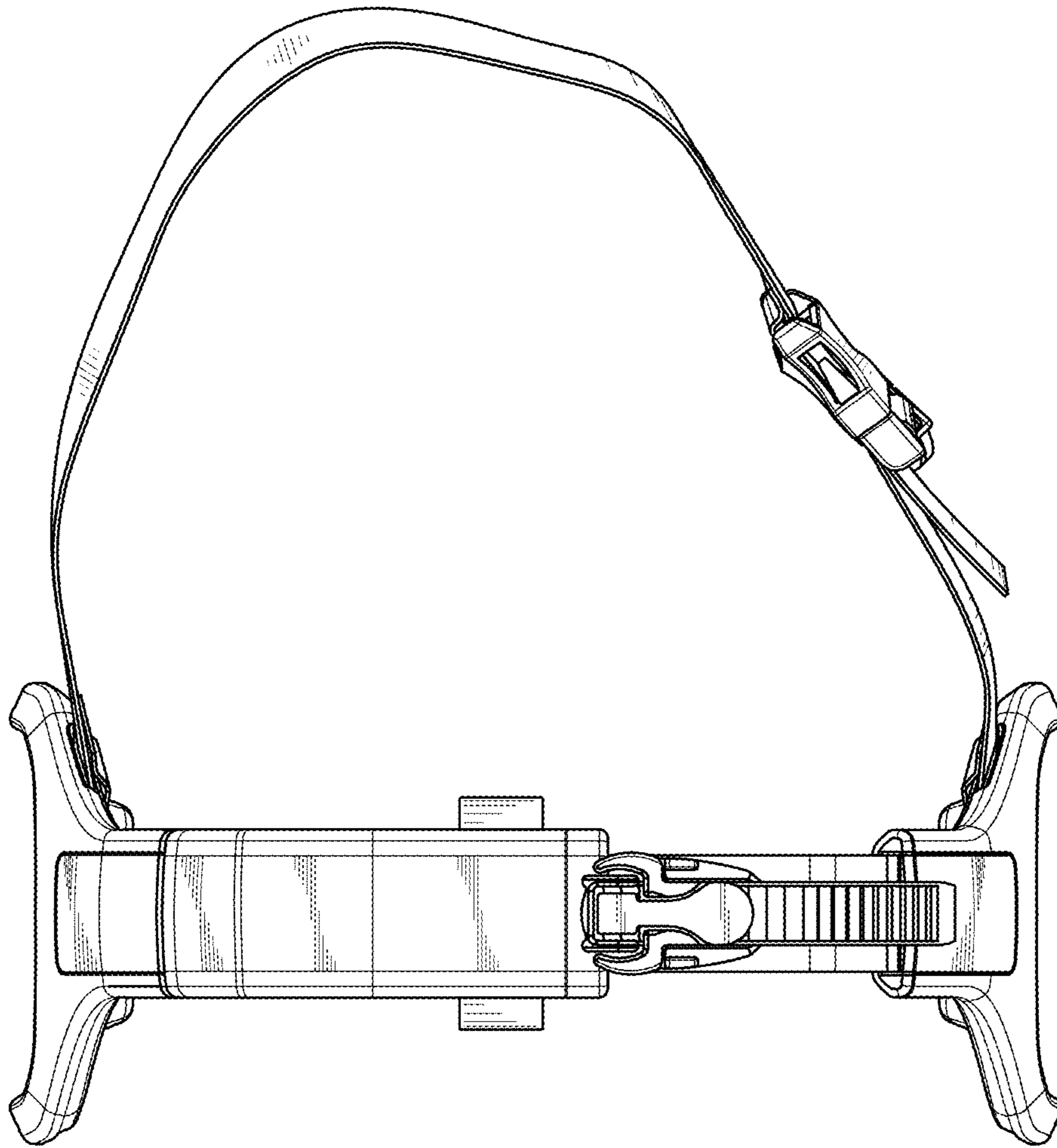


FIG. 4

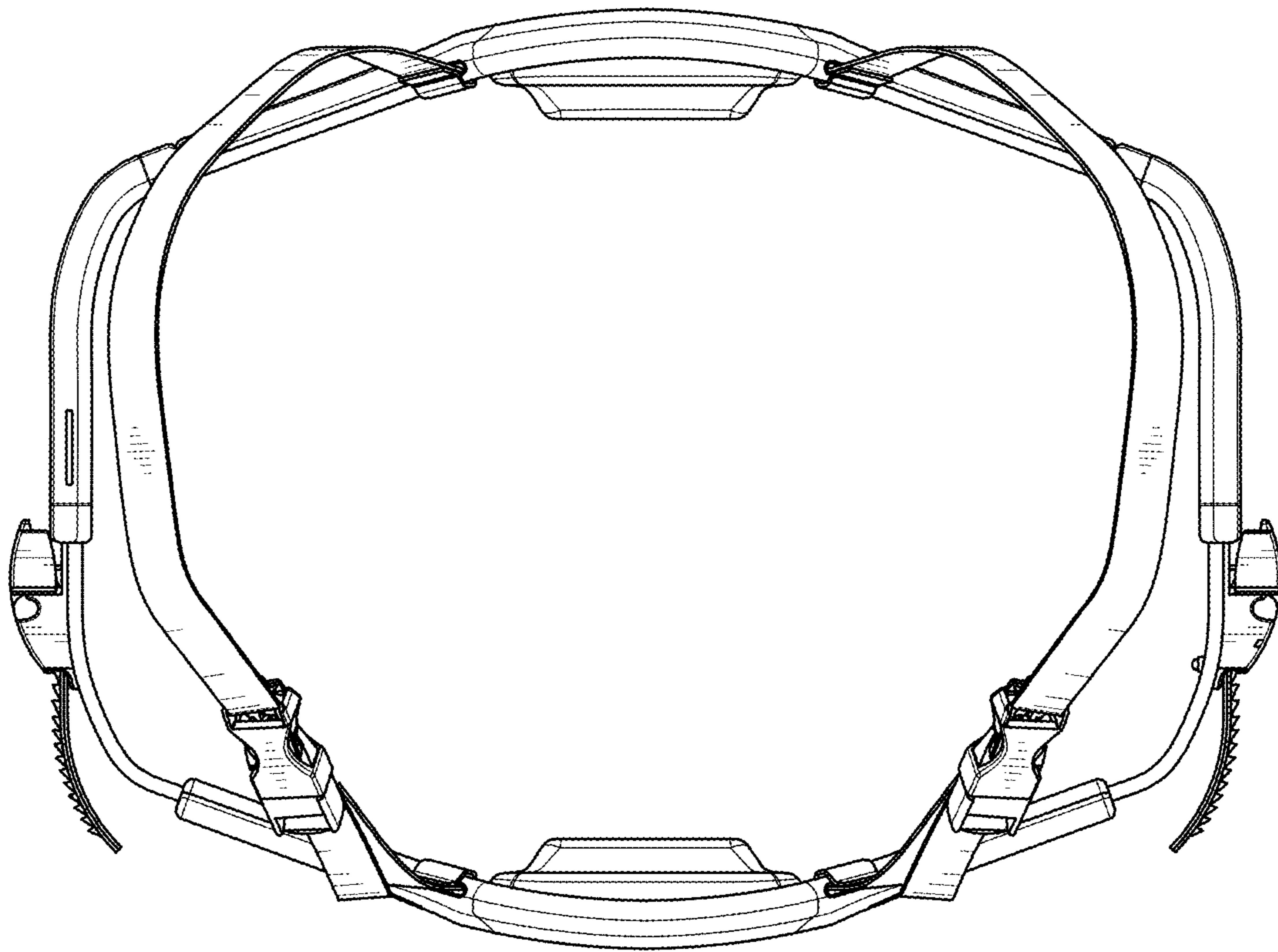


FIG. 5

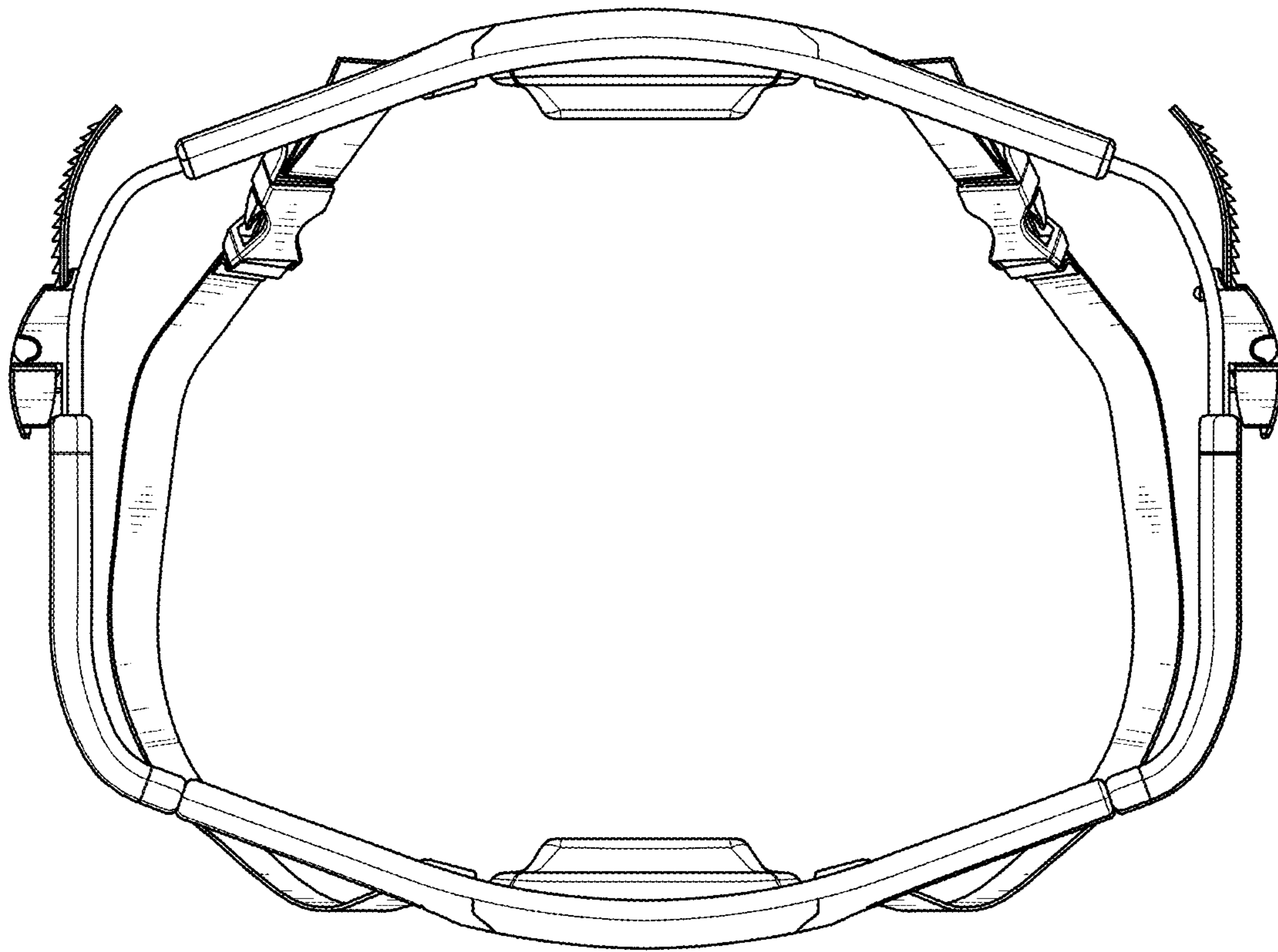


FIG. 6

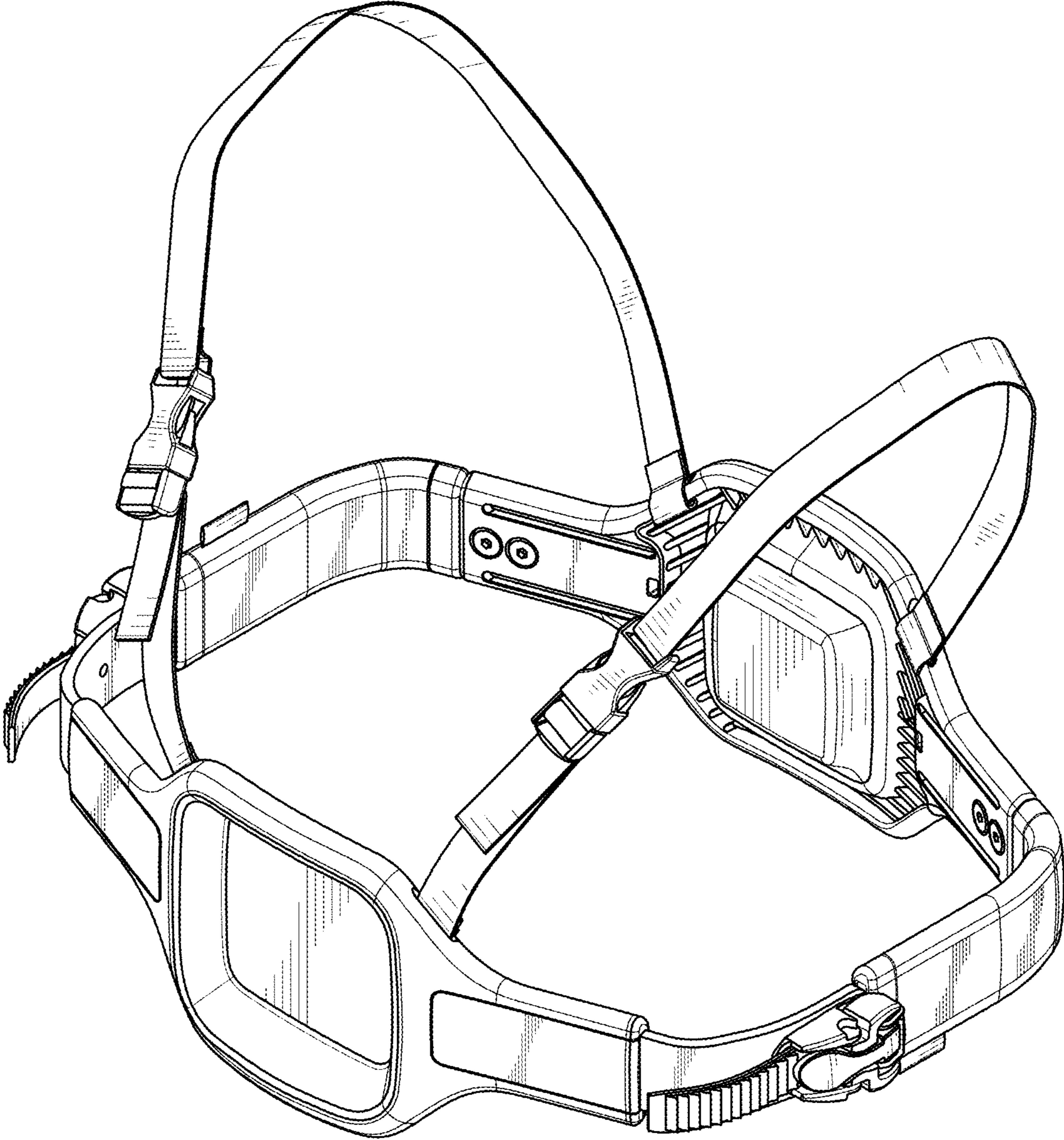


FIG. 7