



US00D950071S

(12) **United States Design Patent** (10) **Patent No.:** **US D950,071 S**  
**Eggeling et al.** (45) **Date of Patent:** **\*\* Apr. 26, 2022**

(54) **ELASTIC BANDAGE WITH ANCHORING PART**  
(71) Applicants: **Trident Holding IVS**, Helsingor (DK); **AGLP Holding APS**, Holstebro (DK)  
(72) Inventors: **Kristian Eggeling**, Helsingor (DK); **Allan Pedersen**, Holstebro (DK)  
(73) Assignees: **TRIDENT HOLDING IVS**, Helsingor (DK); **AGLP HOLDING APS**, Holstebro (DK)

D714,622 S 10/2014 Pan  
D722,699 S \* 2/2015 Riesinger ..... D24/189  
D746,994 S 1/2016 Lewis, Jr. et al.  
D754,862 S 4/2016 Huff  
D759,828 S 6/2016 Riedle  
D765,260 S 8/2016 Sparr  
D796,684 S 9/2017 Ko et al.  
D821,589 S 6/2018 Sakotic et al.  
D867,115 S 11/2019 Zhang  
2017/0296391 A1 10/2017 Kendall  
2021/0290442 A1\* 9/2021 Pederson ..... A61F 13/00034

(\*\*) Term: **15 Years**  
(21) Appl. No.: **29/760,412**  
(22) Filed: **Dec. 1, 2020**

**Related U.S. Application Data**

(62) Division of application No. 29/649,375, filed on May 29, 2018, now Pat. No. Des. 928,971.  
(51) **LOC (13) Cl.** ..... **24-02**  
(52) **U.S. Cl.**  
USPC ..... **D24/189**  
(58) **Field of Classification Search**  
USPC ..... D24/189-192; D8/367, 372  
CPC ..... A61F 2013/00119; A61F 2013/00127  
See application file for complete search history.

**References Cited**

**U.S. PATENT DOCUMENTS**

D312,147 S 11/1990 Lapin  
D377,529 S 1/1997 Nyqvist-Mayer  
D405,347 S 2/1999 Mezey  
D421,124 S 2/2000 Yavitz  
D480,293 S 10/2003 Ismail  
D483,491 S 12/2003 Grady et al.  
D667,720 S 9/2012 Berkowitz  
D687,611 S \* 8/2013 MacLean ..... D32/61  
D714,621 S 10/2014 Pan

**OTHER PUBLICATIONS**

Non-Final Office Action for U.S. Appl. No. 29/649,375, dated Jun. 11, 2020.  
Non-Final Office Action for U.S. Appl. No. 29/649,375, dated Feb. 24, 2021.  
Notice of Allowance for U.S. Appl. No. 29/649,375, dated May 6, 2021.

\* cited by examiner

*Primary Examiner* — Calvin E Vansant  
(74) *Attorney, Agent, or Firm* — Morse, Barnes-Brown & Pendleton, P.C.; Sean D. Detweiler, Esq.

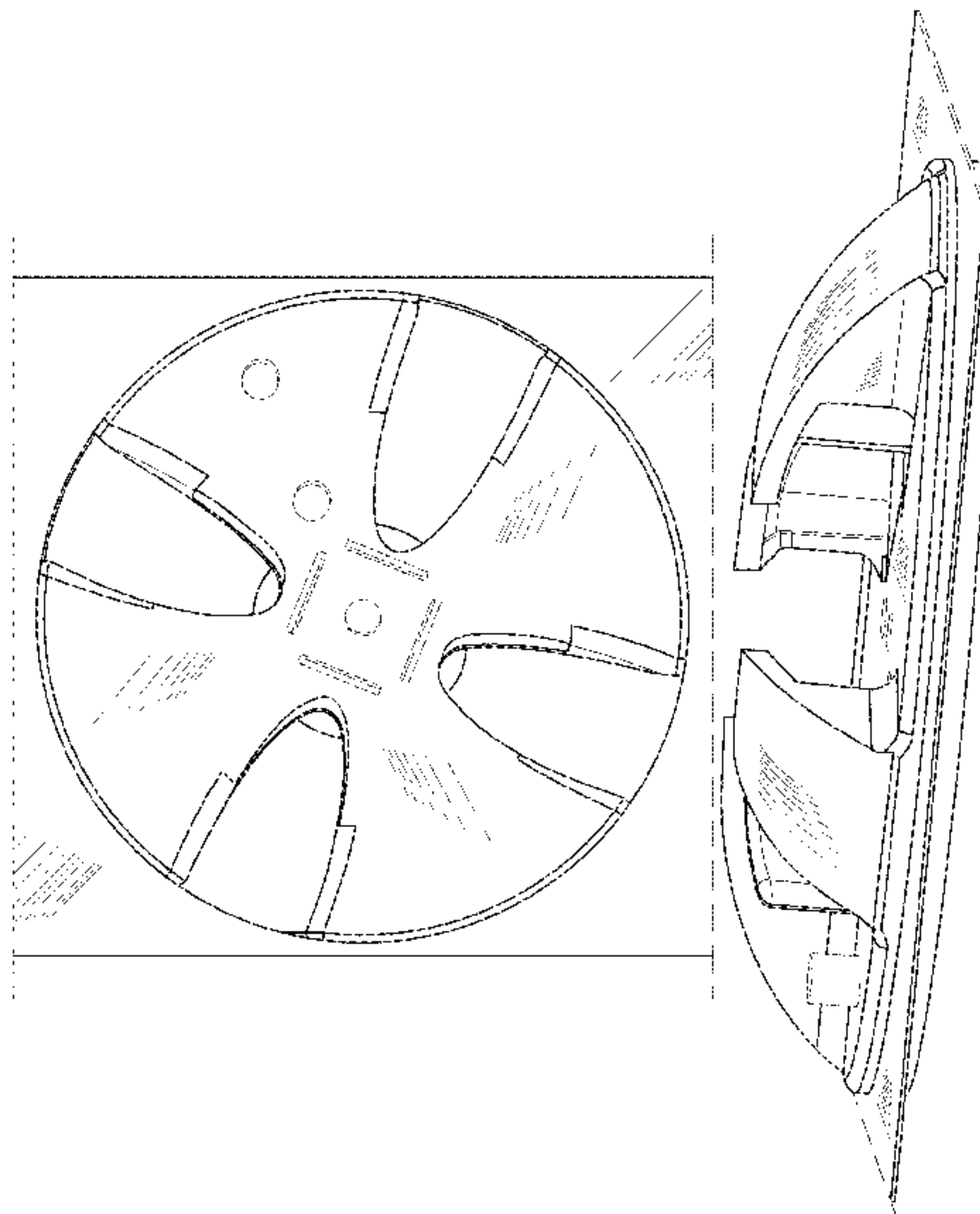
(57) **CLAIM**

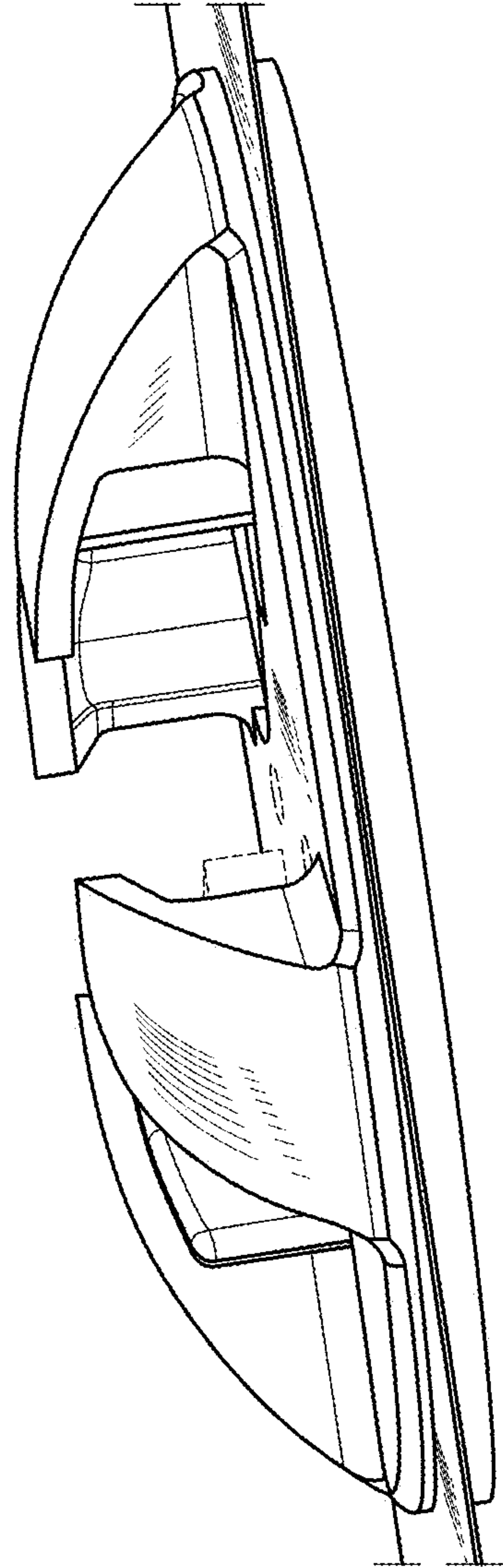
The ornamental design for an elastic bandage with anchoring part, as shown and described.

**DESCRIPTION**

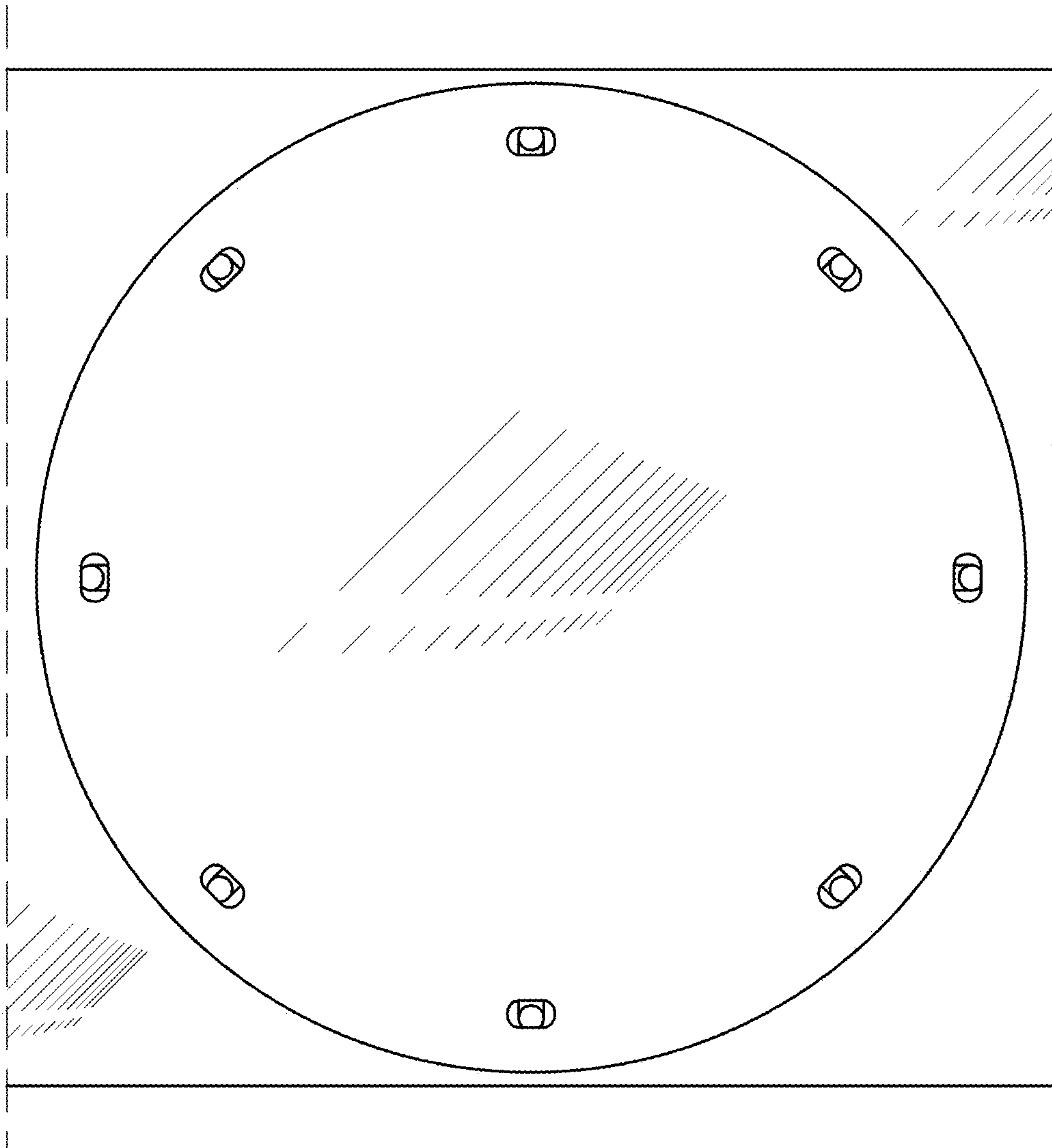
FIG. 1 is a right-side isometric view of an elastic bandage with anchoring part, according to our new design; FIG. 2 is a bottom plan view thereof; FIG. 3 is a top plan view thereof; and, FIG. 4 is a left-side isometric view thereof. In the drawings, the short-dash lines show portions of the elastic bandage with anchoring part and form no part of the claimed design. The long-dash lines represent boundaries of the claimed design and form no part of the claim.

**1 Claim, 4 Drawing Sheets**

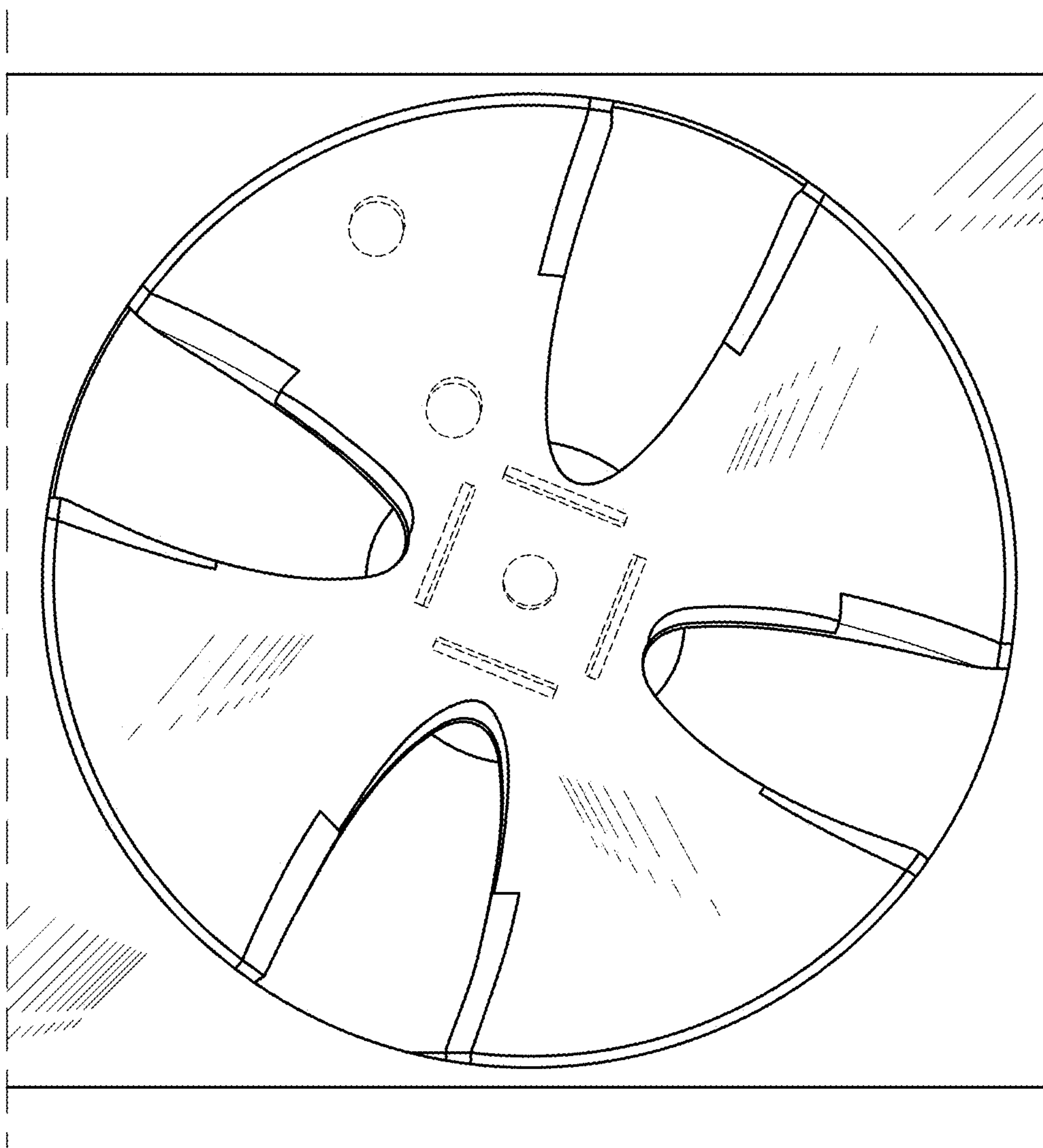




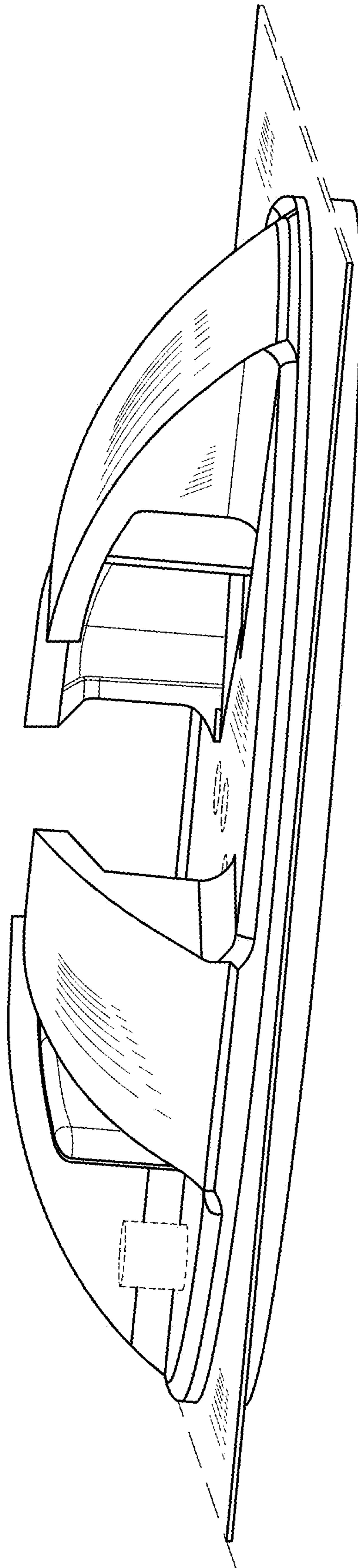
**FIG. 1**



**FIG. 2**



**FIG. 3**



**FIG. 4**