



US00D950067S

(12) **United States Design Patent** (10) **Patent No.:** **US D950,067 S**
Grindstaff et al. (45) **Date of Patent:** **** Apr. 26, 2022**

- (54) **PATIENT POSITIONING DEVICE**
- (71) Applicant: **DeRoyal Industries, Inc.**, Powell, TN (US)
- (72) Inventors: **Rex Allen Grindstaff**, Knoxville, TN (US); **Angela J. Schubert**, Knoxville, TN (US); **Ethan Edward Valentine**, Knoxville, TN (US)
- (73) Assignee: **DeRoyal Industries, Inc.**, Powell, TN (US)
- (**) Term: **15 Years**
- (21) Appl. No.: **29/757,680**
- (22) Filed: **Nov. 9, 2020**

Related U.S. Application Data

- (63) Continuation of application No. 17/068,091, filed on Oct. 12, 2020.
- (51) **LOC (13) Cl.** **24-02**
- (52) **U.S. Cl.**
USPC **D24/184**; D24/190
- (58) **Field of Classification Search**
USPC D24/171, 183-184, 188, 190-191, 200, D24/211, 215; D6/601, 604, 716, 716.1
CPC A47B 21/0314; A47B 21/0371; A61G 7/0755; A61G 13/125; A61G 7/001; A61G 13/12; A61G 7/065; A61G 7/1036; A47C 20/021; A47C 20/026; A47C 16/025
See application file for complete search history.

(56) **References Cited**

U.S. PATENT DOCUMENTS

- 3,811,140 A * 5/1974 Burpo A61G 7/065 5/632
- D321,562 S * 11/1991 Ljungvall D24/183
- D359,804 S * 6/1995 Carter D24/183
- D362,072 S * 9/1995 Sternberg D24/190

- D378,615 S * 3/1997 Neviaser D24/190
- D387,167 S * 12/1997 Klein D24/183
- D447,568 S * 9/2001 Hall D24/183
- D539,066 S * 3/2007 Coquillette D6/601
- D618,354 S * 6/2010 Francucci D24/183
- D635,265 S * 3/2011 Coffey D24/183

(Continued)

OTHER PUBLICATIONS

STEEP-T™ Full Video. Online, published date Jan. 15, 2020. Retrieved on Nov. 18, 2021 from URL: https://www.youtube.com/watch?v=C9_ZEnAkrXo.*

Primary Examiner — Omeed Agilee

(74) *Attorney, Agent, or Firm* — Luedeka Neely Group, PC

(57) **CLAIM**

The ornamental design for a patient positioning device, as shown and described.

DESCRIPTION

FIG. 1 is a perspective view of a patient positioning device of our new design.

FIG. 2 is a close-up perspective view thereof.

FIG. 3 is a front end view thereof.

FIG. 4 is a rear end view thereof.

FIG. 5 is a right side view thereof.

FIG. 6 is a left side view thereof.

FIG. 7 is a top view thereof.

FIG. 8 is a bottom view thereof.

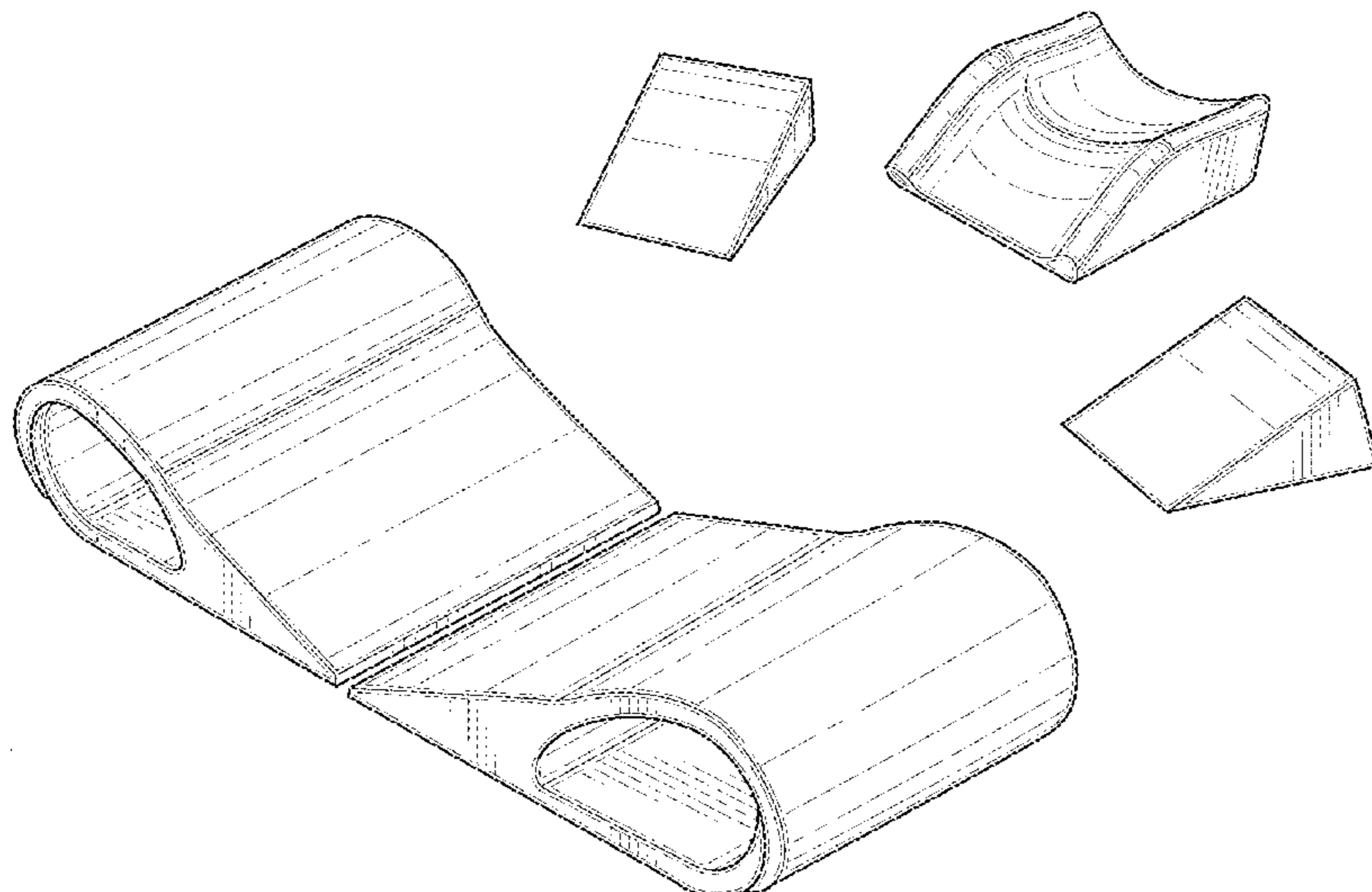
FIGS. 9-10 are perspective views thereof in a state of use showing the head and arm positioners removed.

FIGS. 11-12 are perspective views thereof in a state of use showing the wedges and arm positioners removed.

FIGS. 13-15 are perspective views thereof in a state of use showing the wedges and head positioner removed; and, FIG. 16 is a perspective view thereof in a state of use.

The broken lines in the drawings depict environmental subject matter and form no part of the claimed design.

1 Claim, 12 Drawing Sheets



(56)

References Cited

U.S. PATENT DOCUMENTS

8,464,720	B1	6/2013	Pigazzi et al.	
8,511,314	B2	8/2013	Pigazzi et al.	
D690,016	S *	9/2013	Ratner	D24/184
D725,407	S *	3/2015	McCracken	D6/601
D733,897	S *	7/2015	Rossouw	D24/190
9,161,876	B2	10/2015	Pigazzi et al.	
D767,153	S *	9/2016	Infante	D24/200
9,750,656	B1	9/2017	Pigazzi et al.	
9,782,287	B2	10/2017	Pigazzi et al.	
9,931,262	B2	4/2018	Pigazzi et al.	
9,949,883	B1	4/2018	Pigazzi et al.	
D823,479	S *	7/2018	Mollohan	D24/215
10,045,902	B1	8/2018	Pigazzi et al.	
10,098,800	B2	10/2018	Pigazzi et al.	
10,285,890	B1	5/2019	Pigazzi et al.	
D851,259	S *	6/2019	Mitchell	D24/183
10,322,050	B1	6/2019	Pigazzi et al.	
D871,593	S *	12/2019	Rossouw	D24/190
D885,589	S *	5/2020	Marcil	D24/190
D908,229	S *	1/2021	Wagner	D24/191
D934,593	S *	11/2021	Zou	D6/601
2016/0095776	A1 *	4/2016	Batiste	A61G 7/0755 5/648
2019/0053966	A1	2/2019	Pigazzi	

* cited by examiner

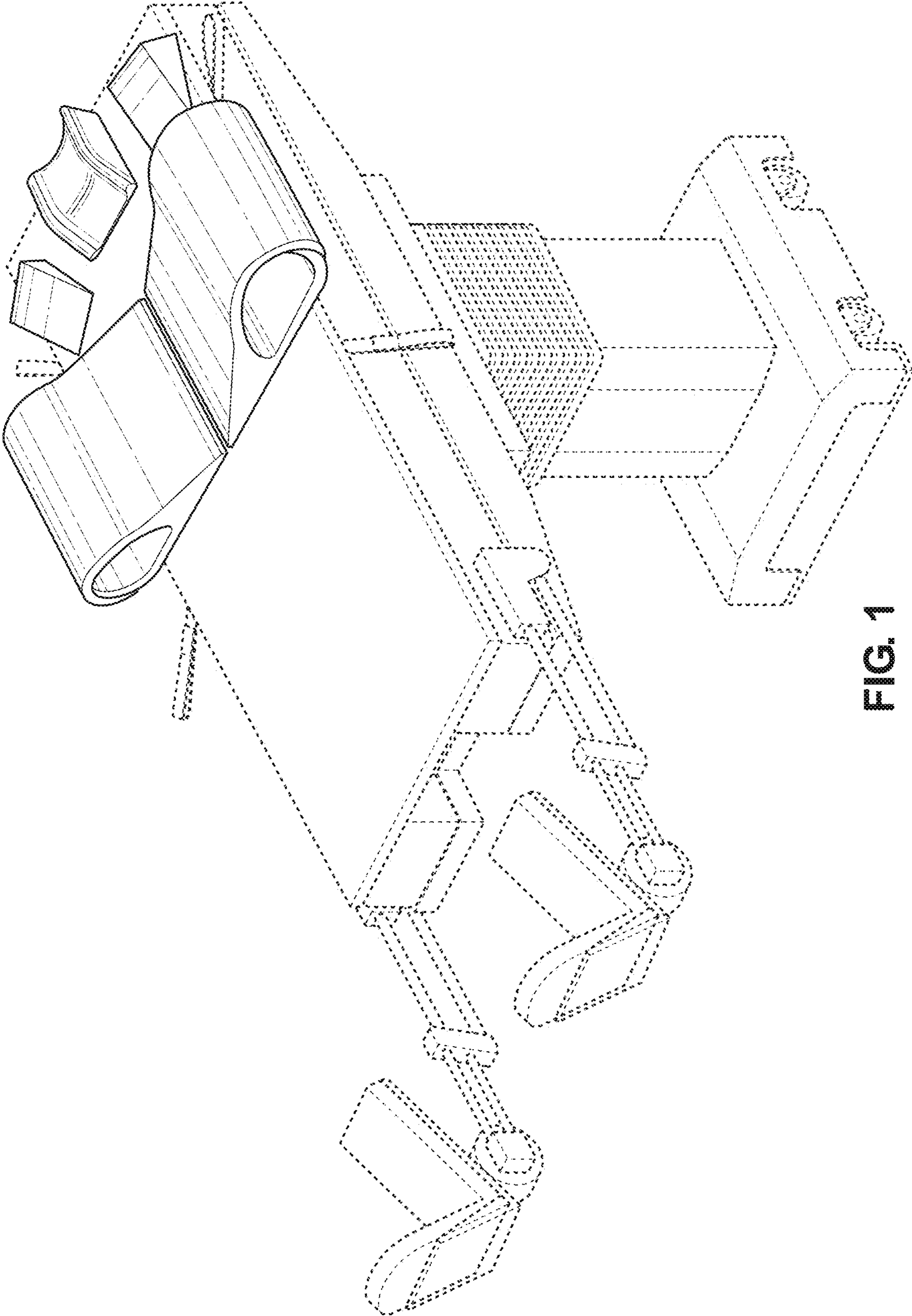


FIG. 1

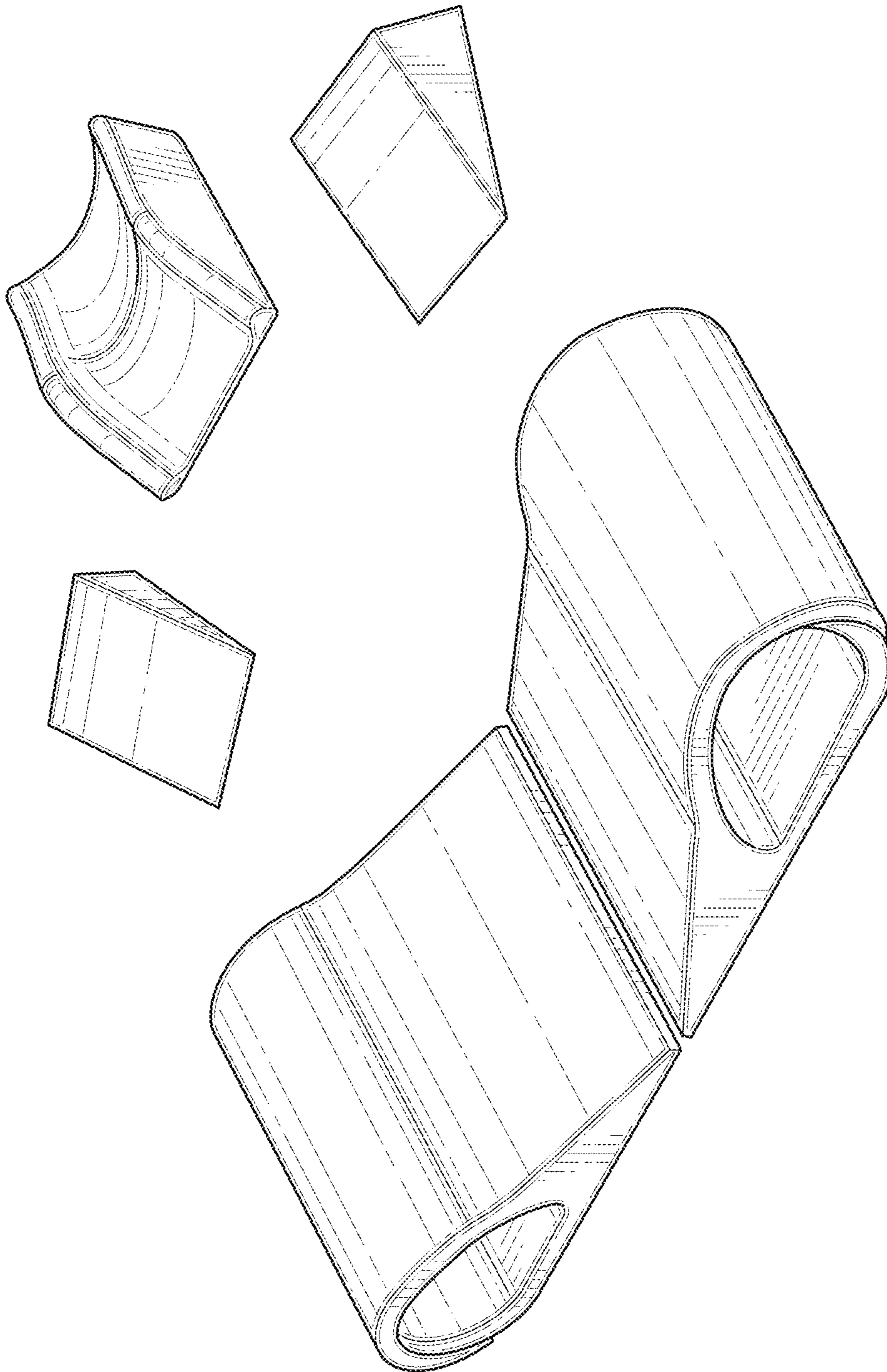


FIG. 2

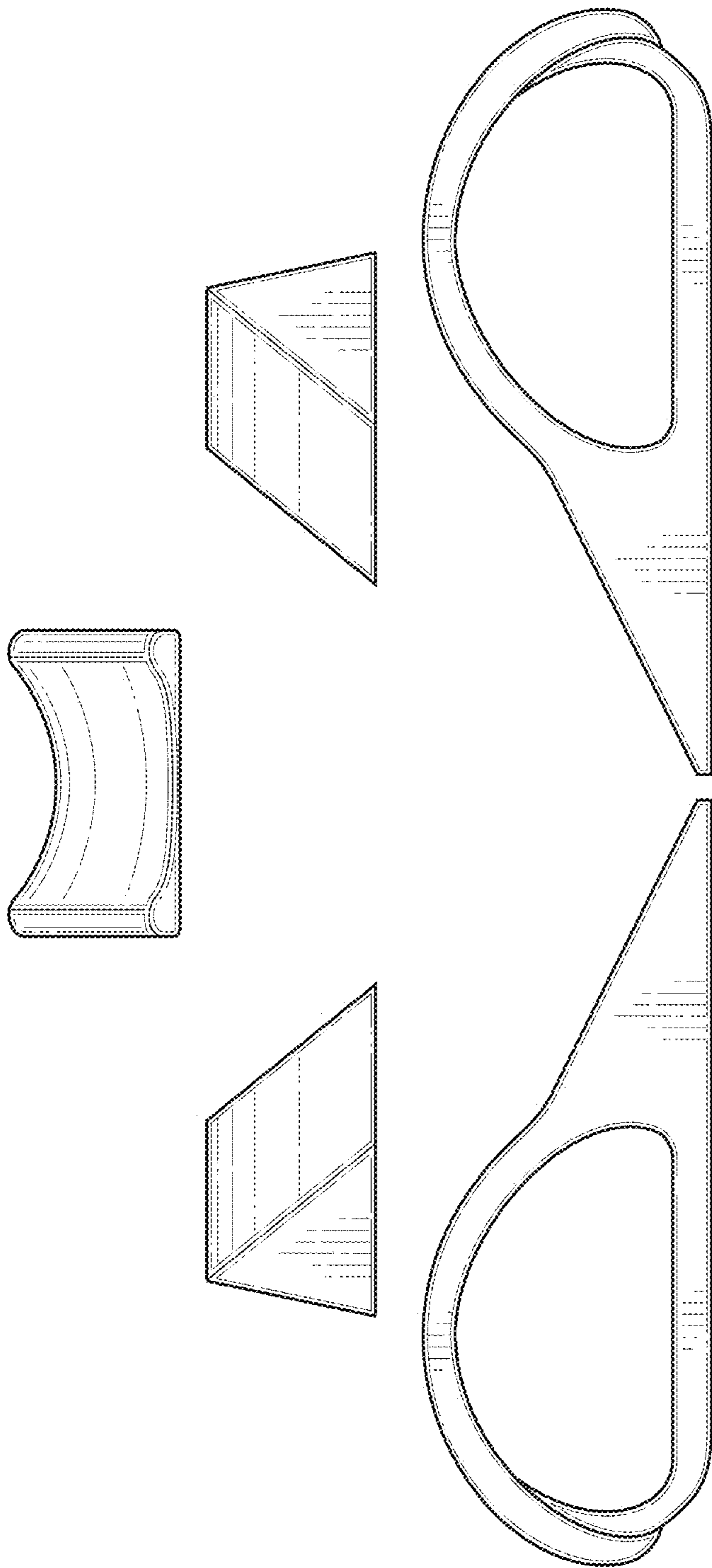


FIG. 3

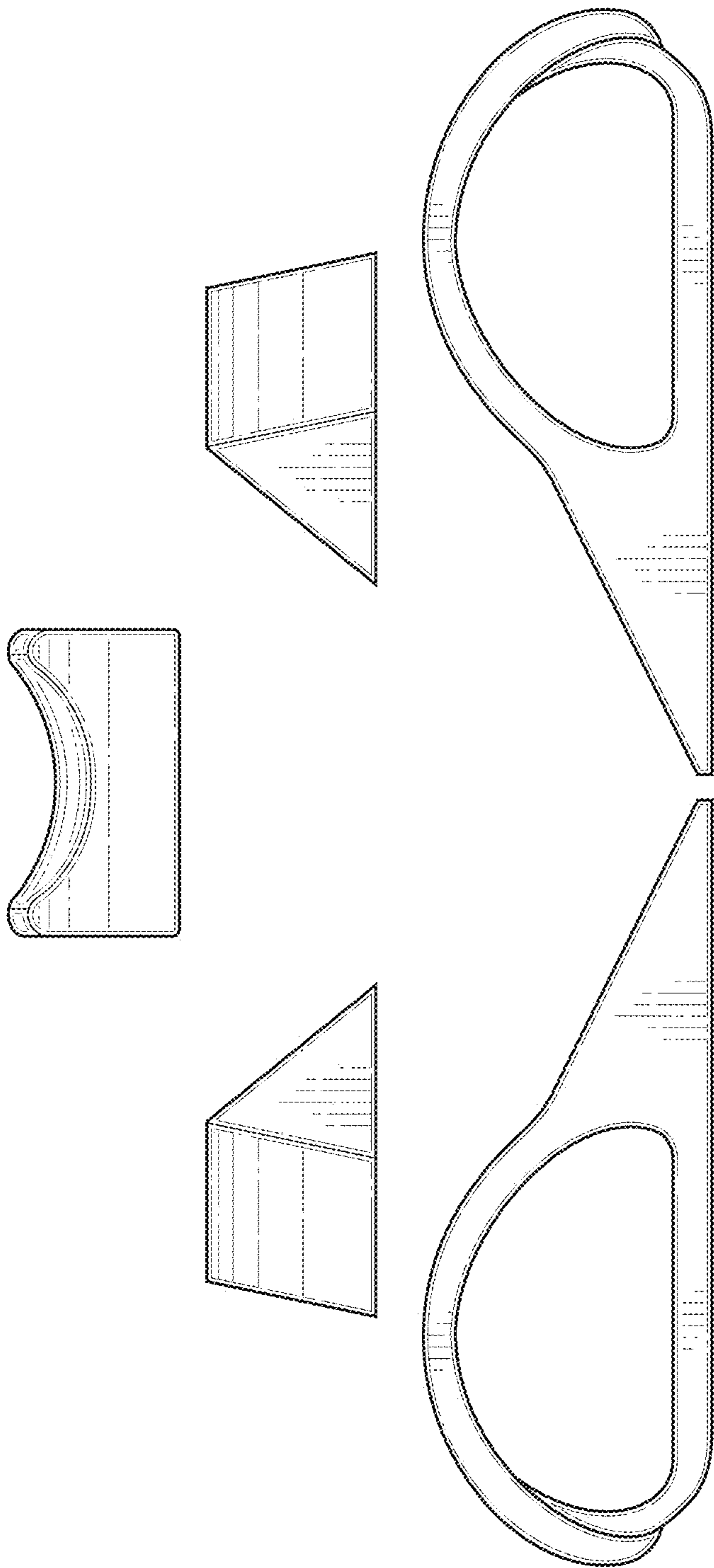


FIG. 4

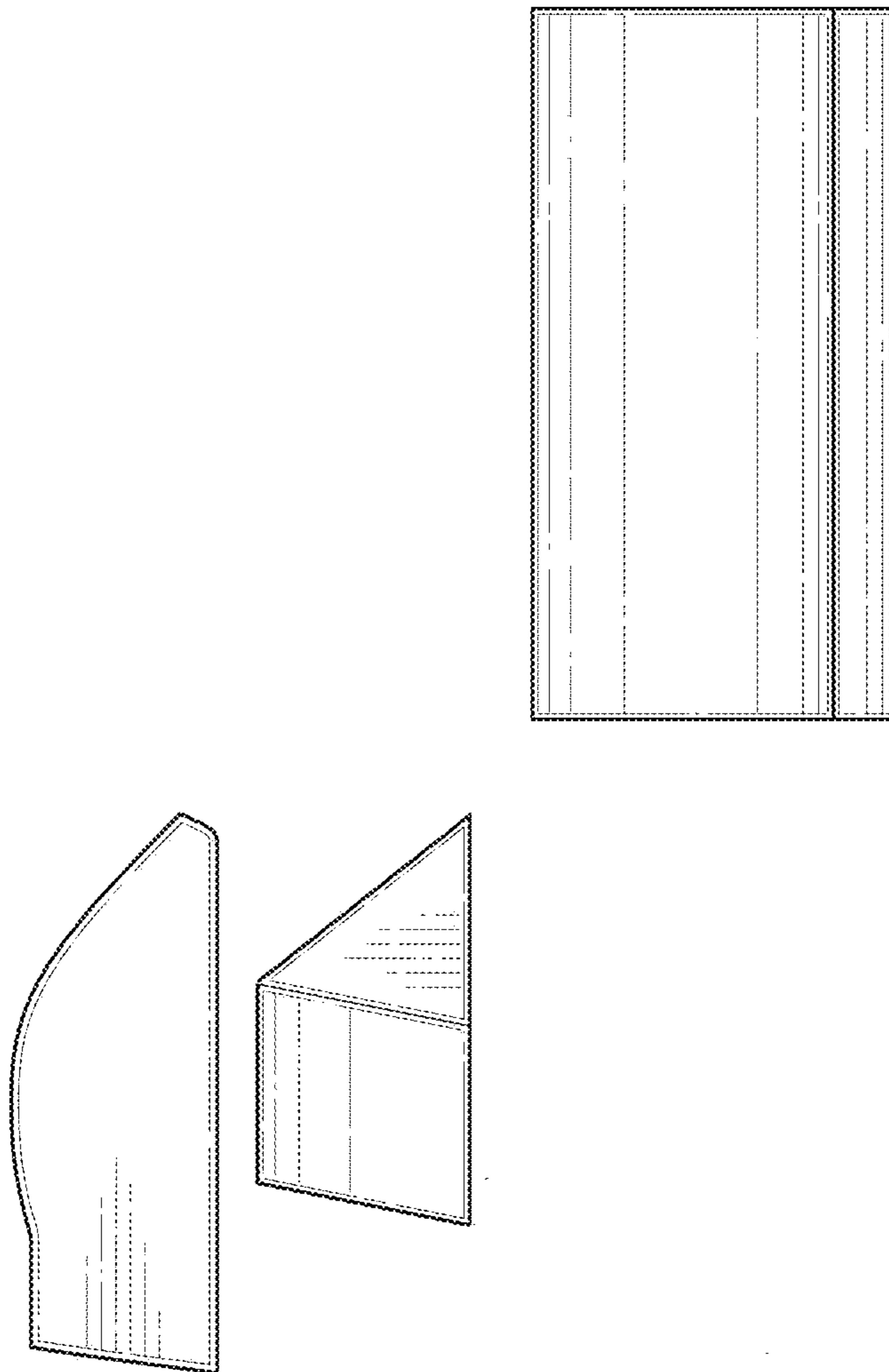


FIG. 5

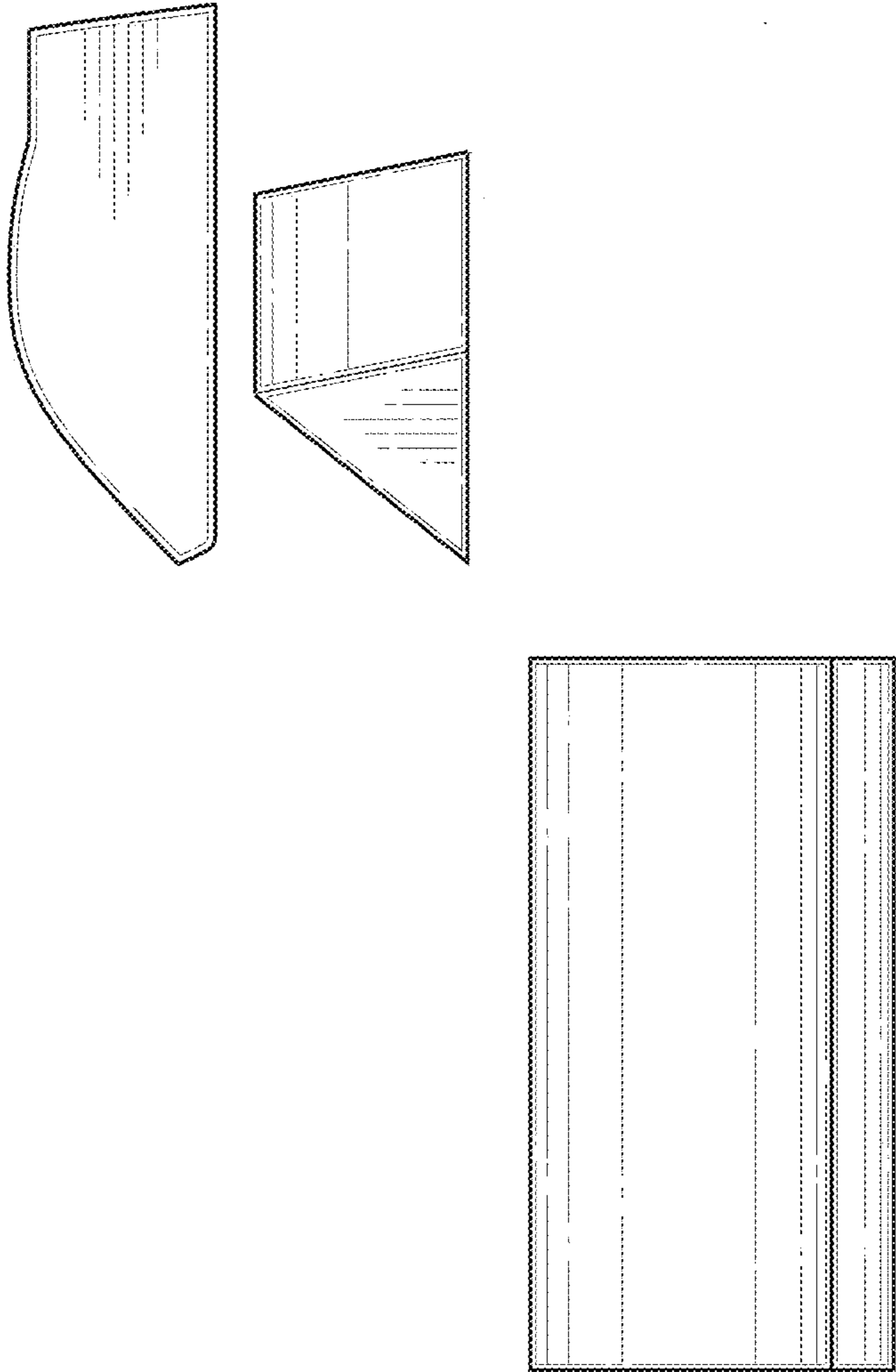


FIG. 6

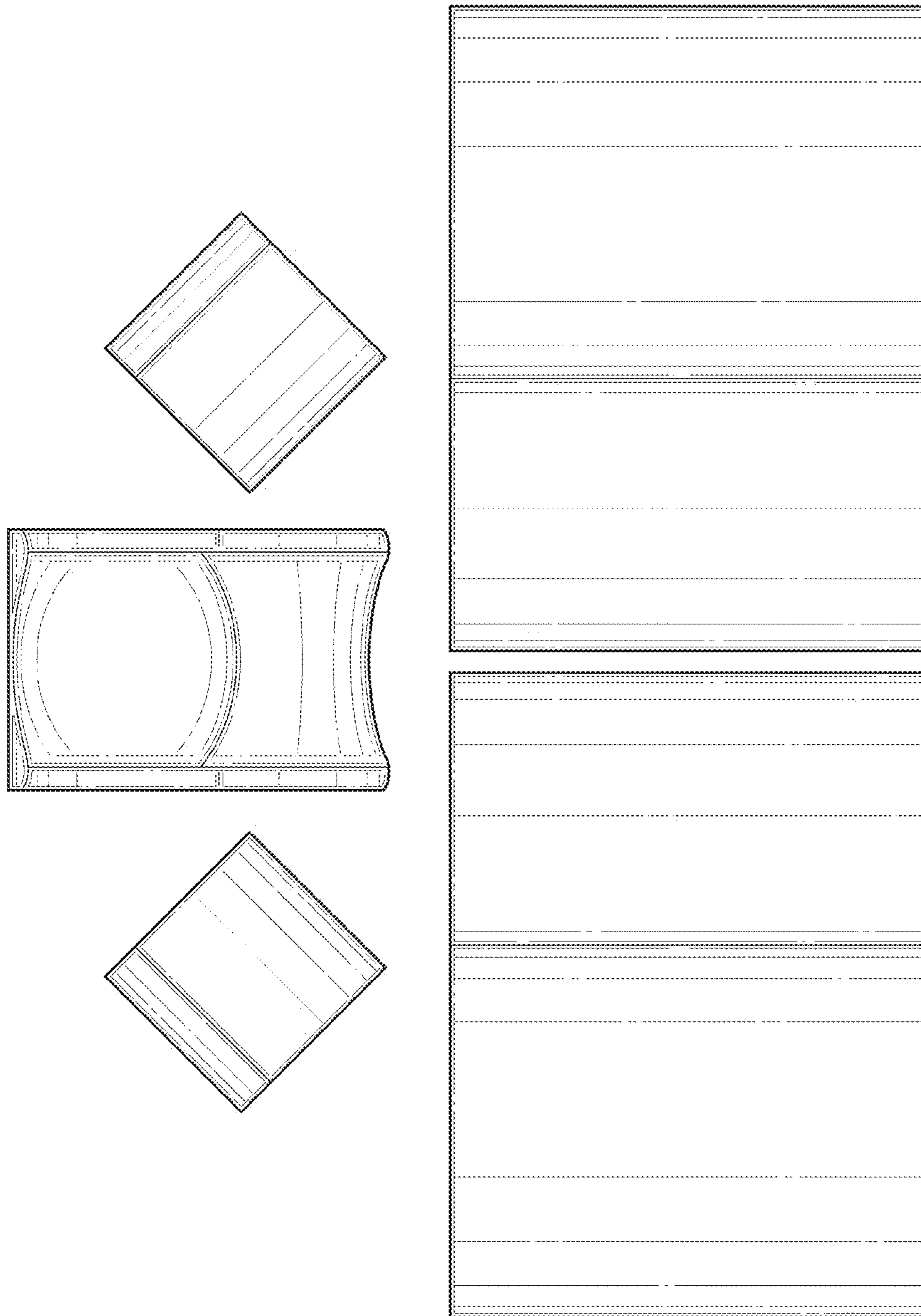


FIG. 7

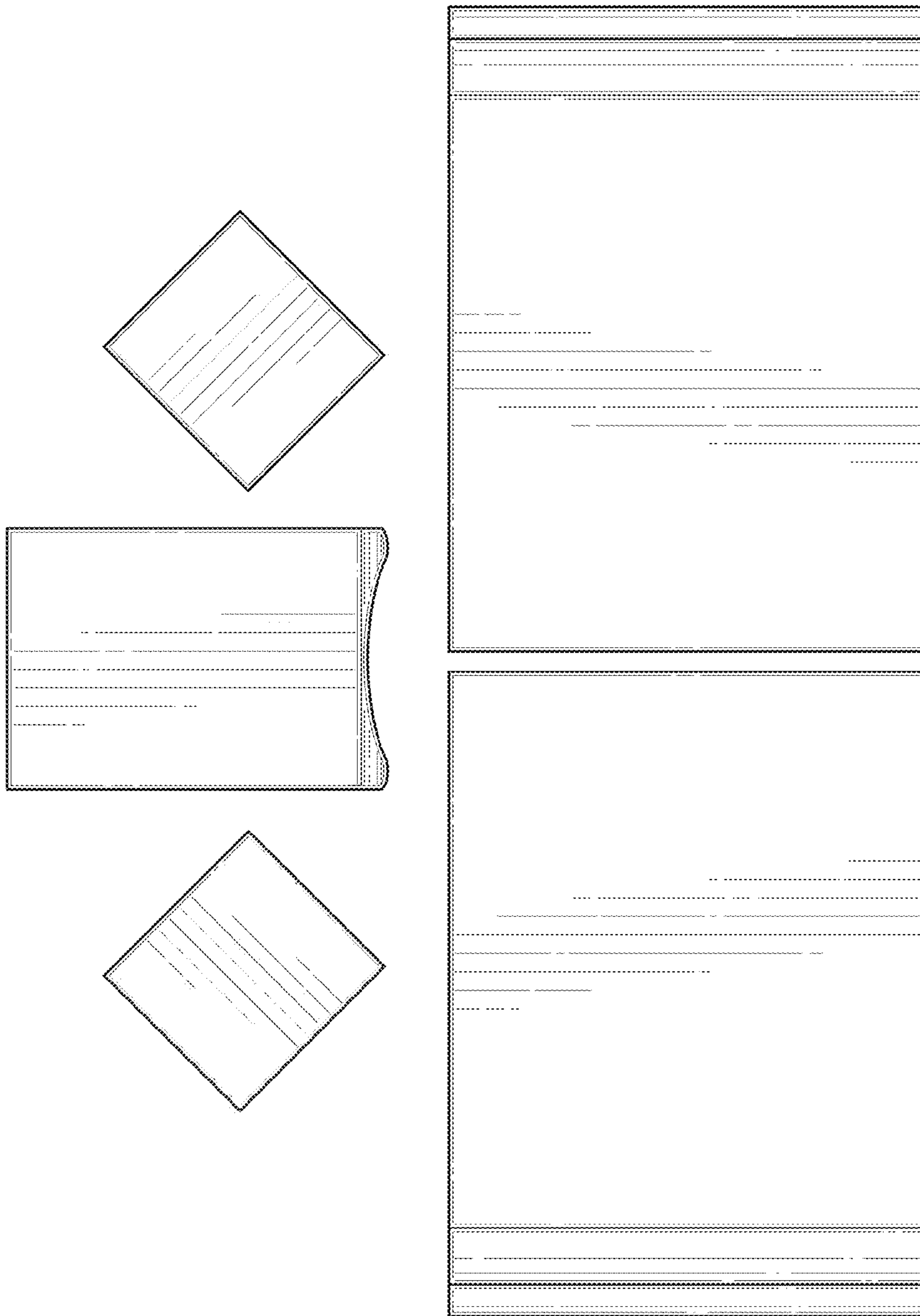


FIG. 8

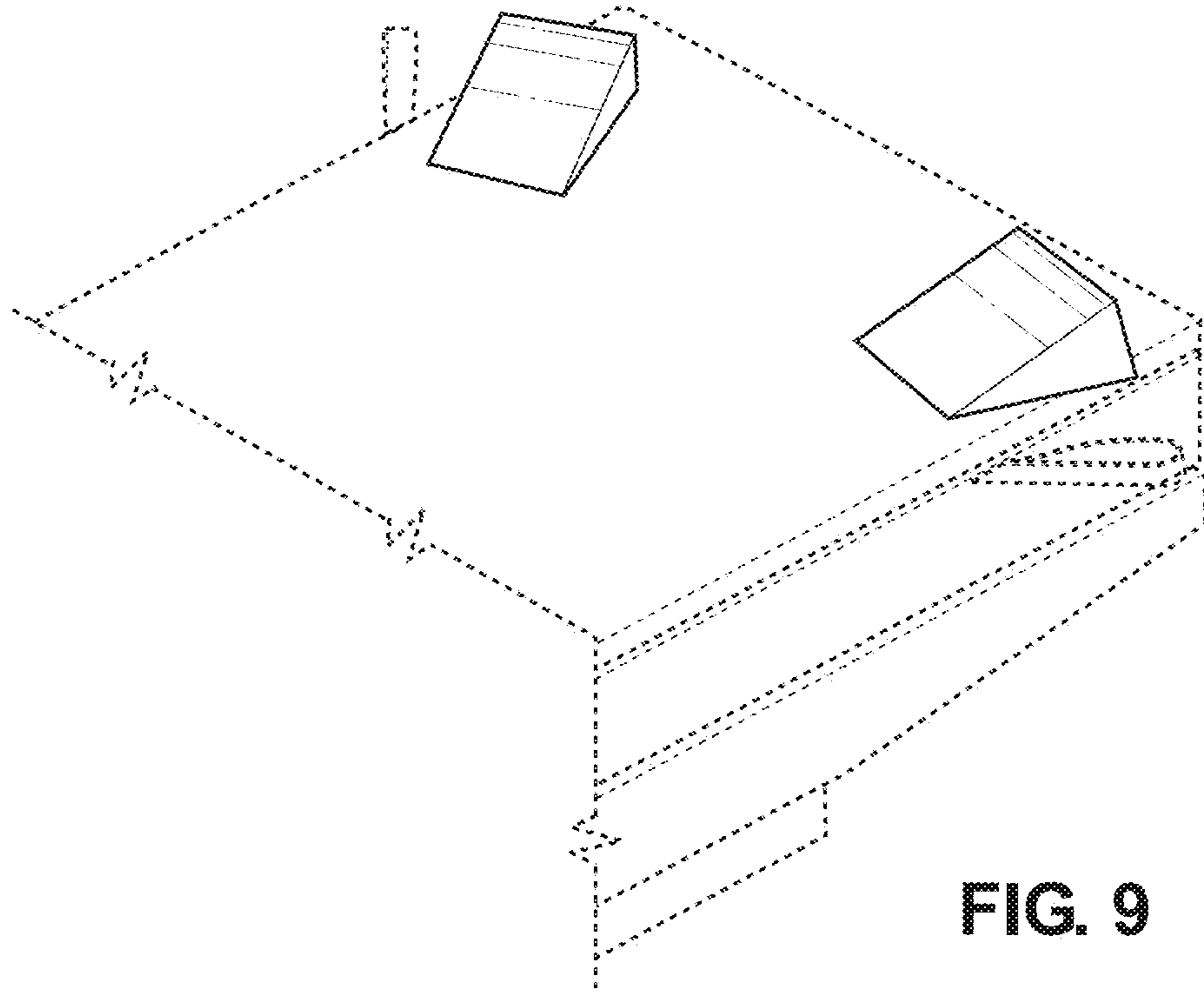


FIG. 9

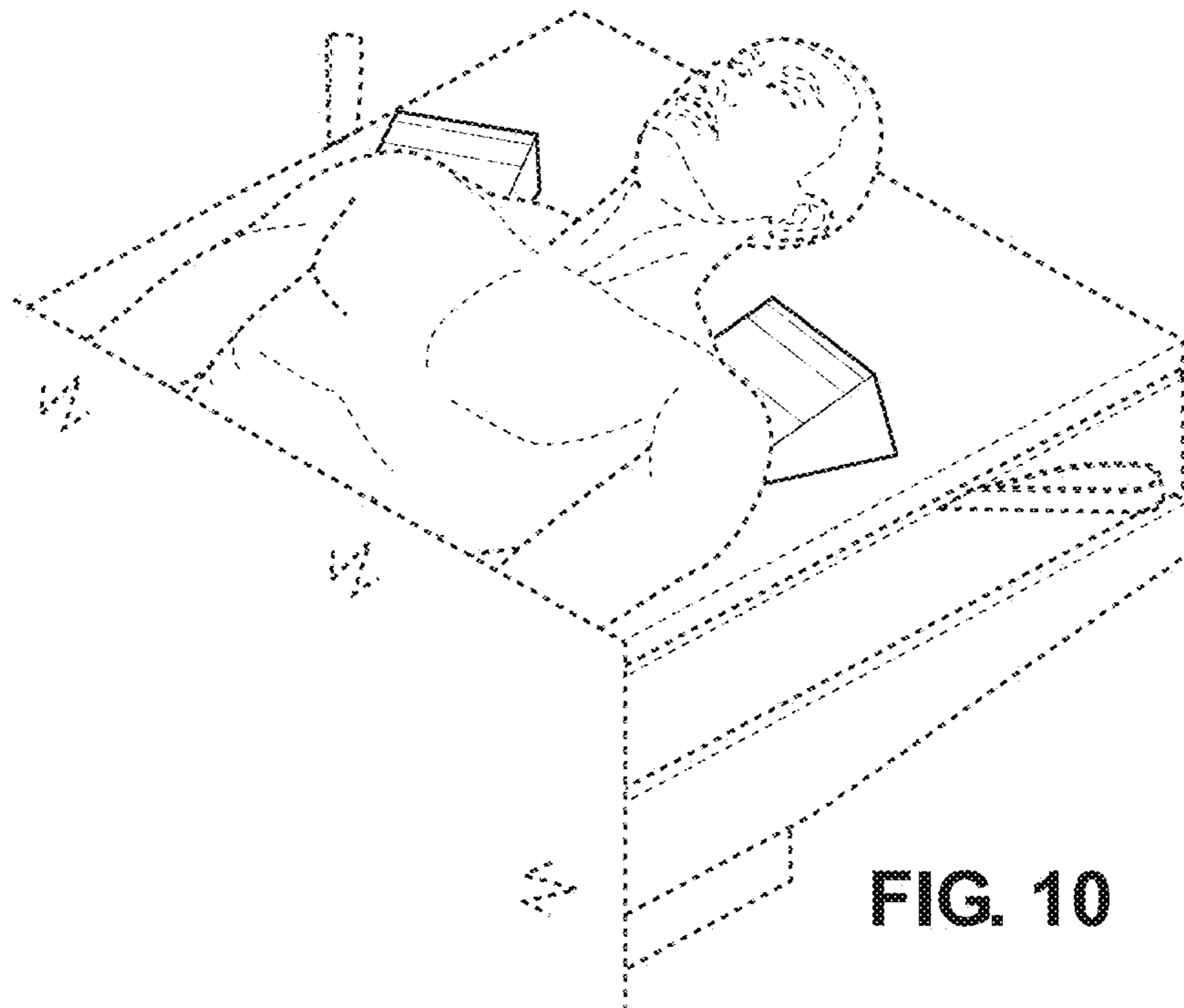


FIG. 10

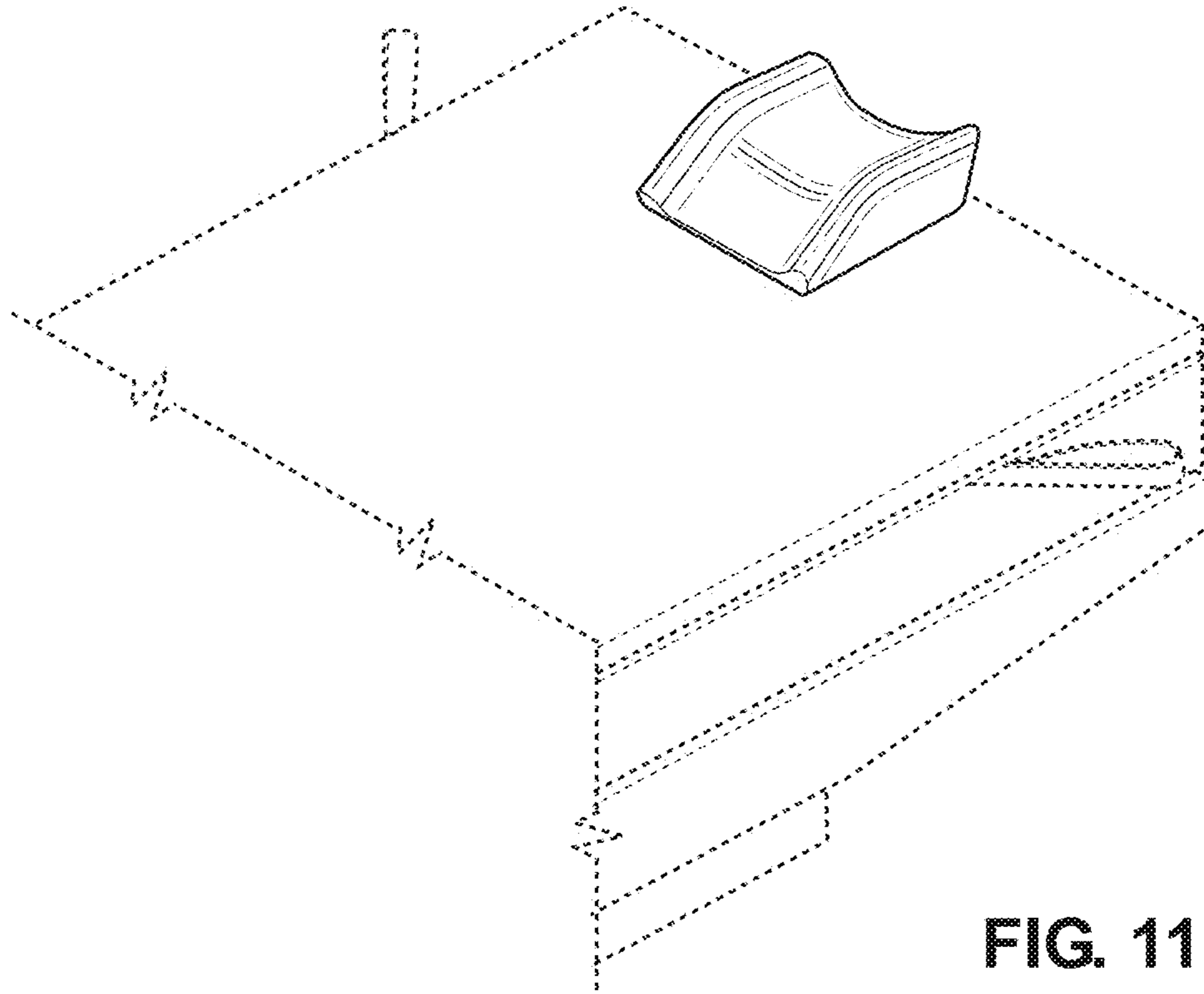


FIG. 11

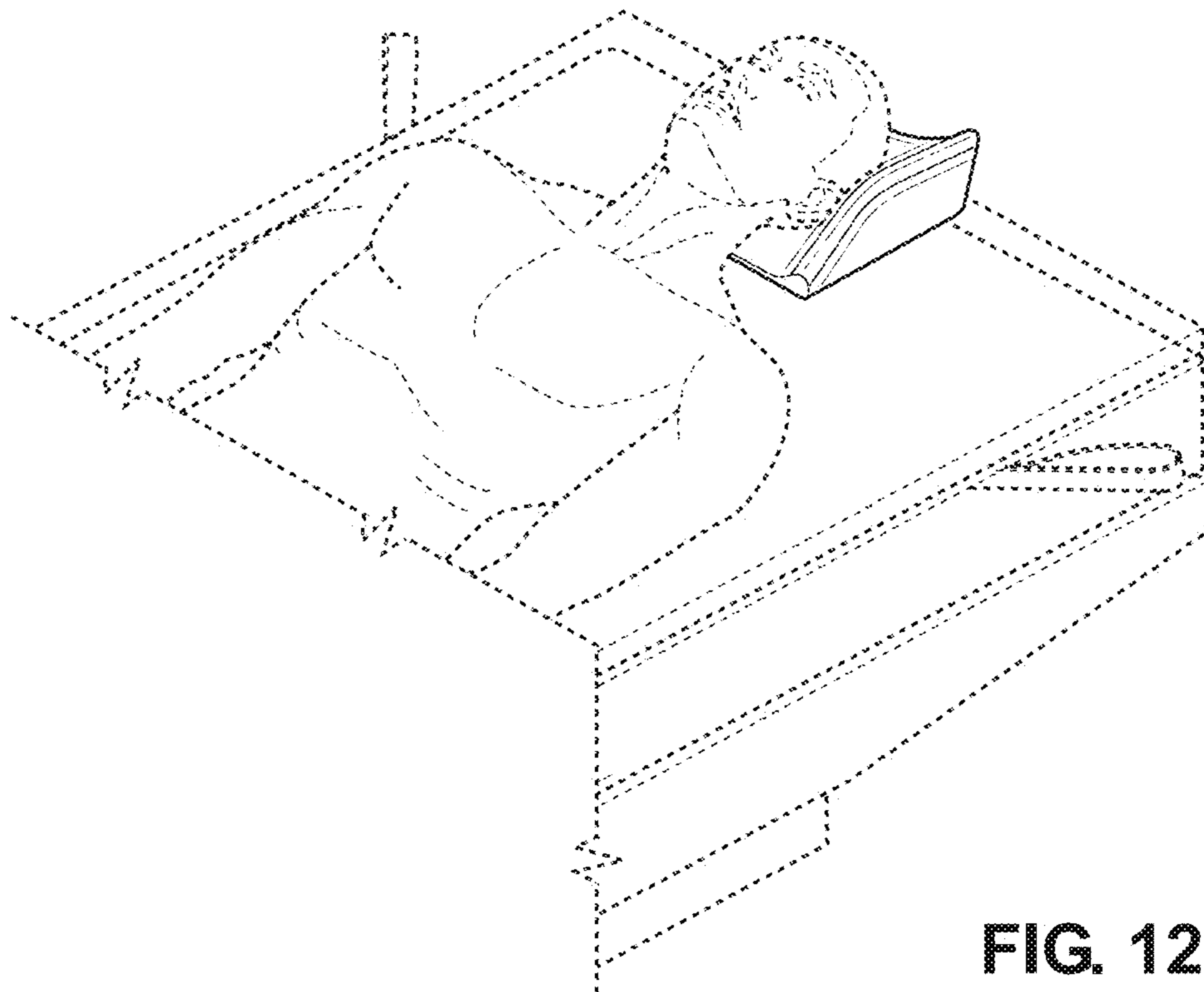


FIG. 12

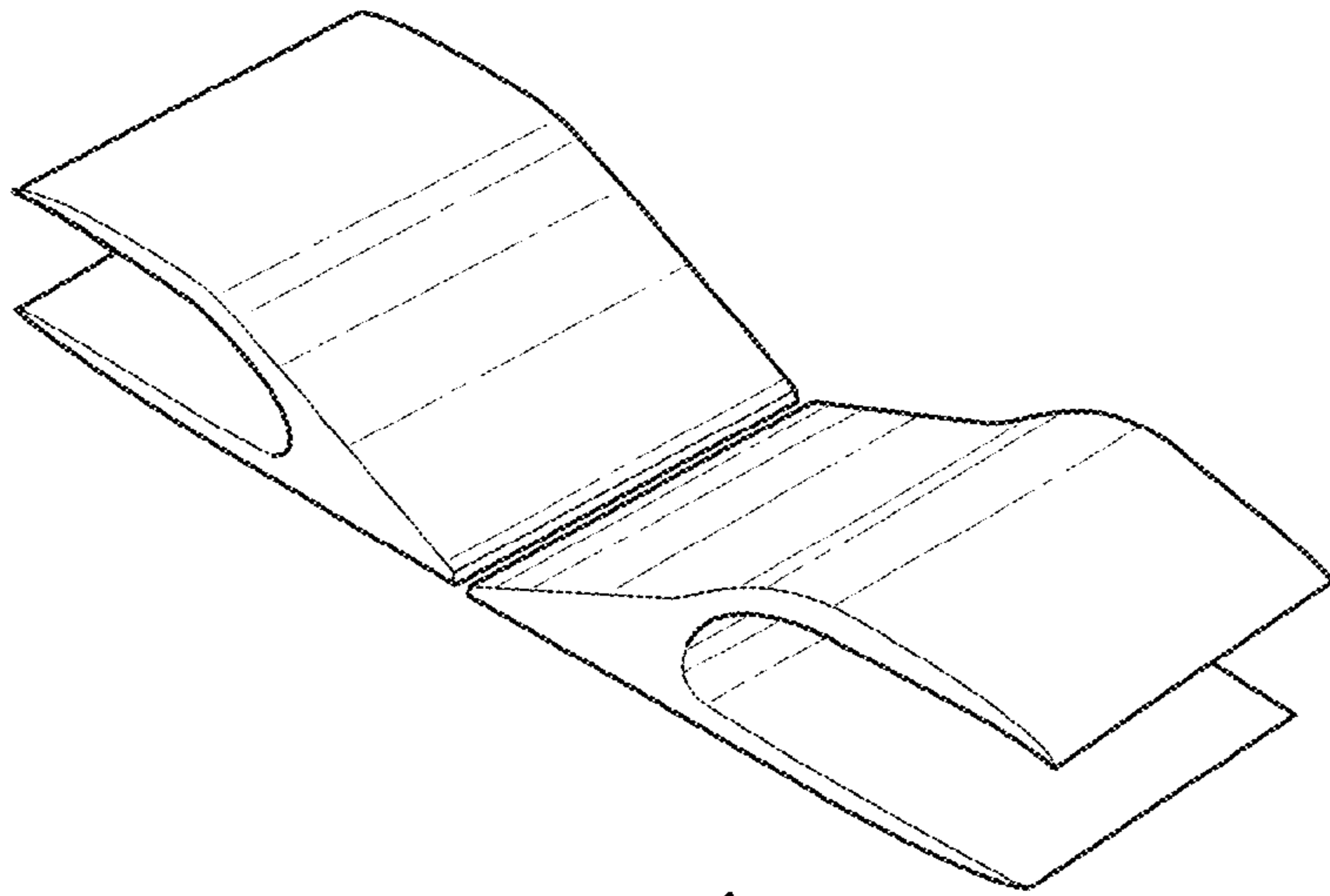


FIG. 13

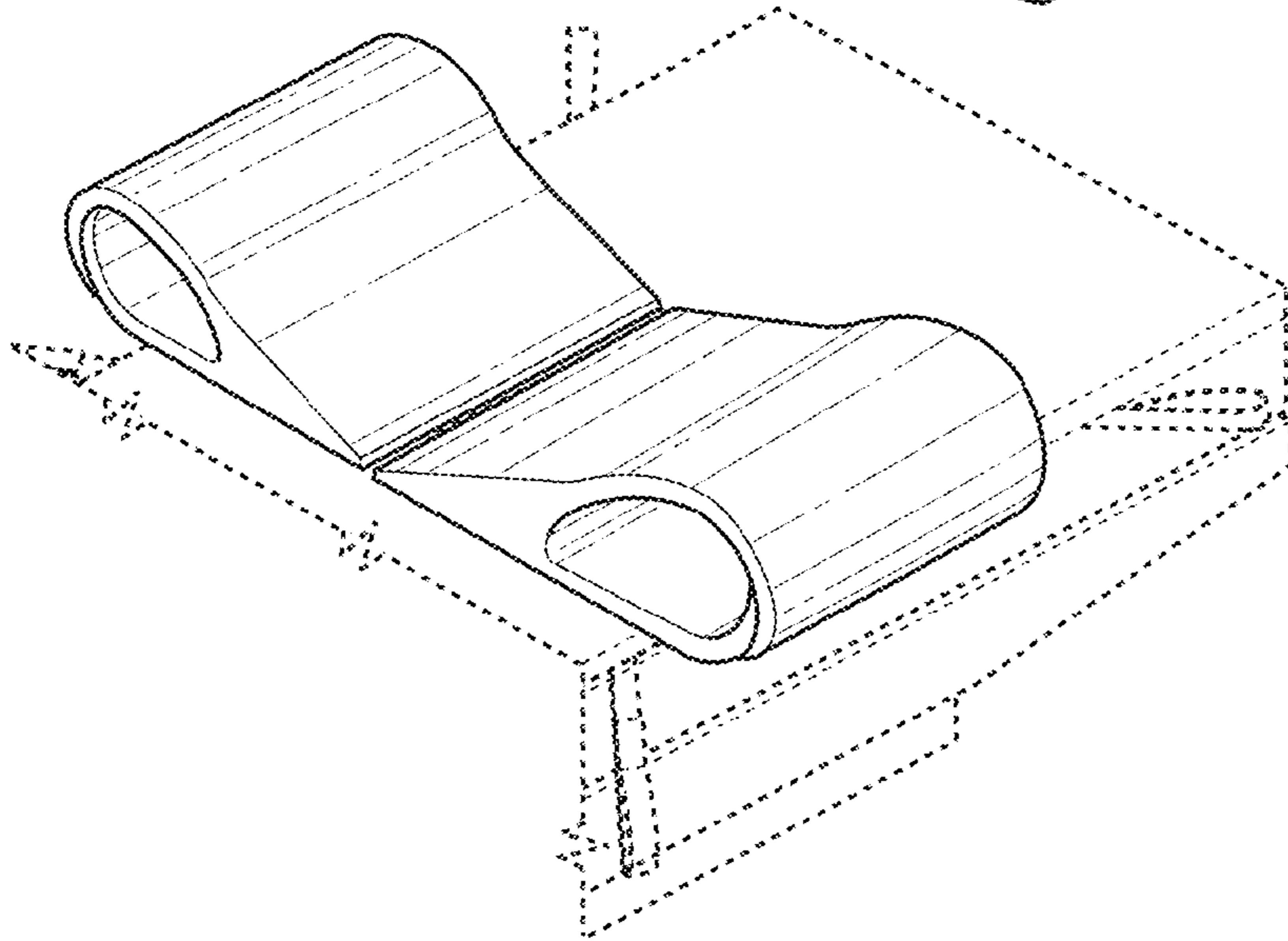


FIG. 14

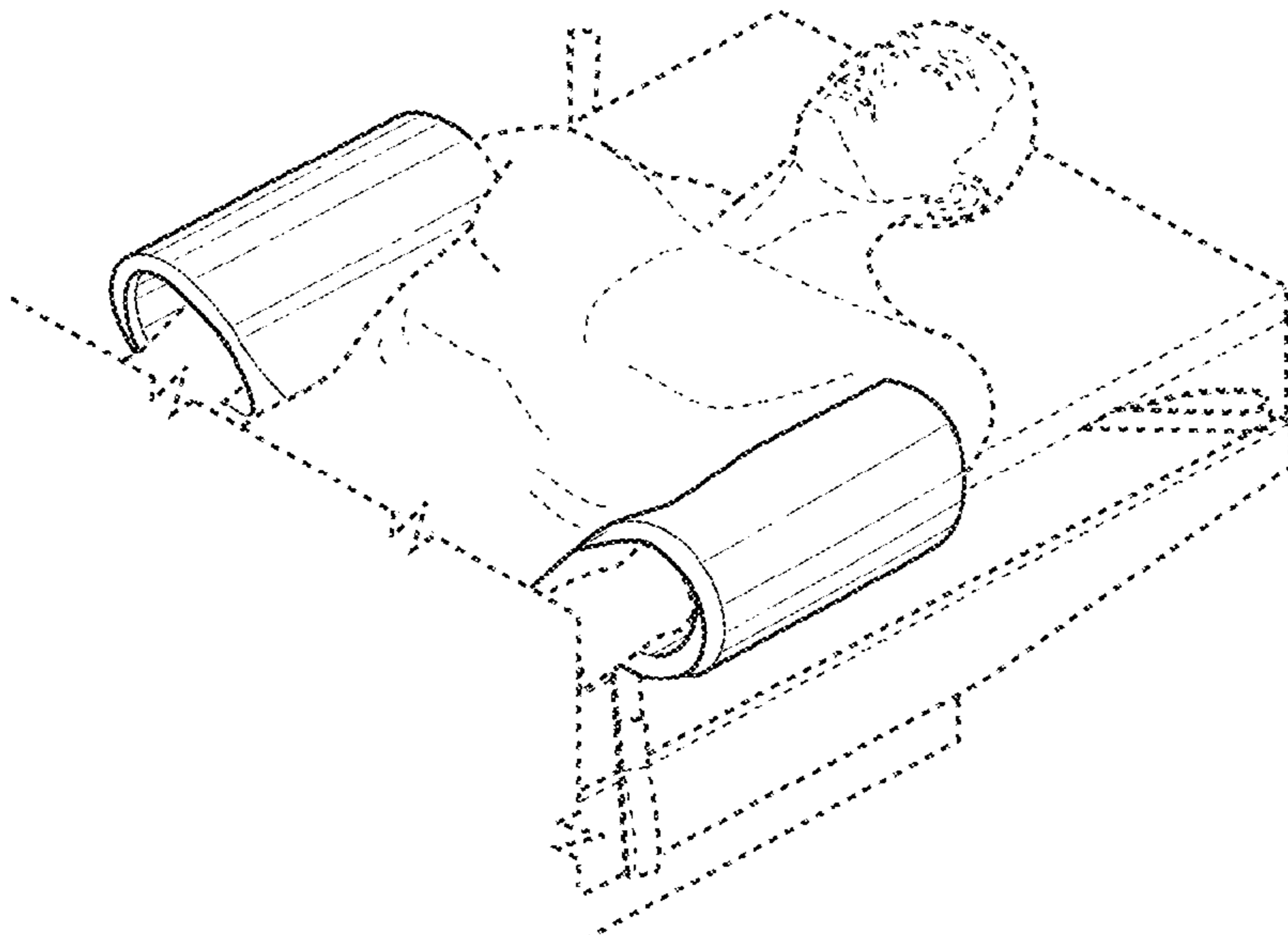


FIG. 15

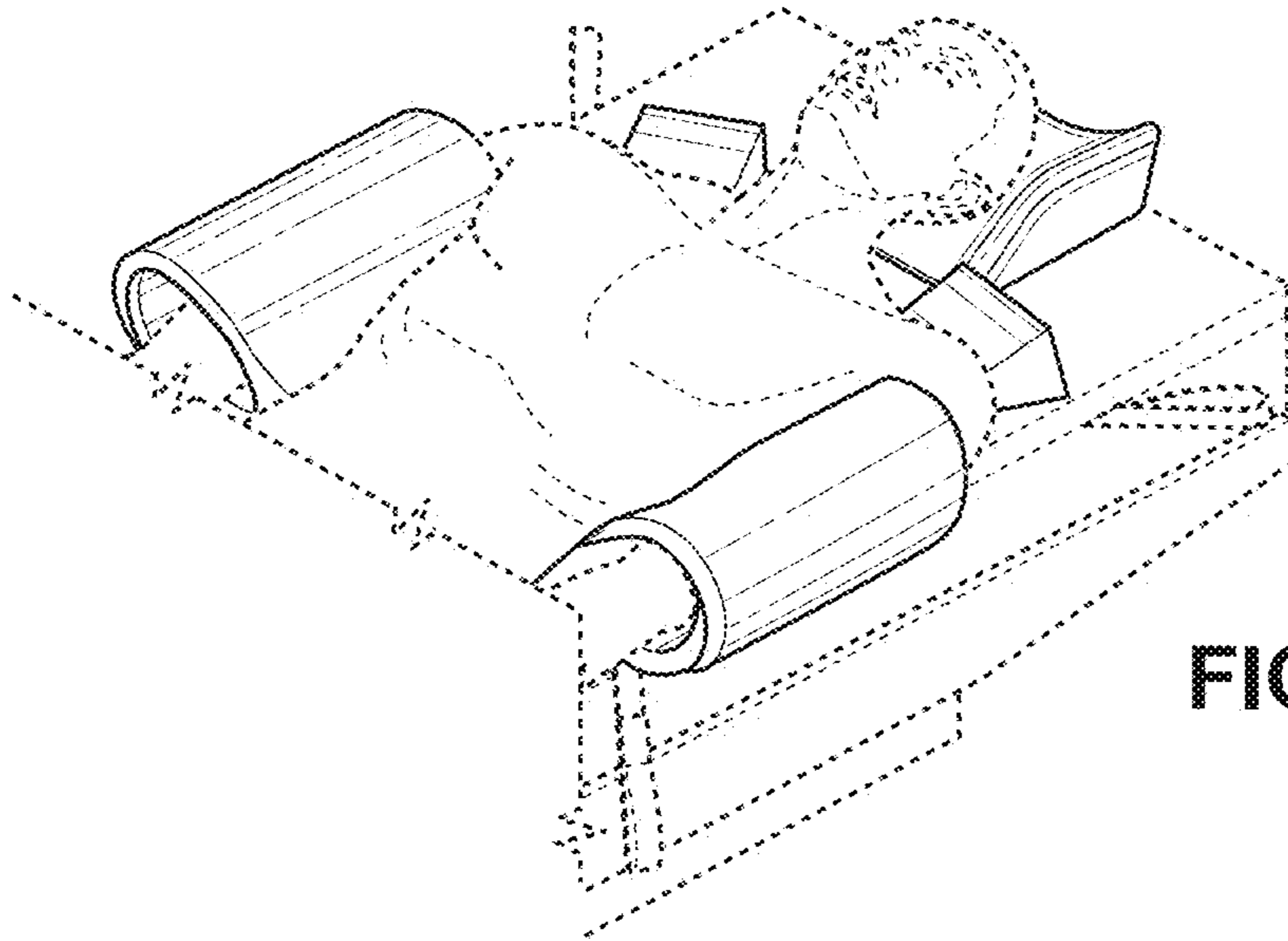


FIG. 16