



US00D950065S

(12) **United States Design Patent**
Hung

(10) **Patent No.:** **US D950,065 S**
(45) **Date of Patent:** **** Apr. 26, 2022**

- (54) **ORTHODONTIC BRACKET**
- (71) Applicant: **Cheng-Hsiang Hung**, New Taipei (TW)
- (72) Inventor: **Cheng-Hsiang Hung**, New Taipei (TW)
- (**) Term: **15 Years**
- (21) Appl. No.: **29/708,770**
- (22) Filed: **Oct. 9, 2019**
- (30) **Foreign Application Priority Data**

Apr. 10, 2019 (JP) 2019-007803
 Apr. 10, 2019 (JP) 2019-007804

- (51) **LOC (13) Cl.** **24-02**
- (52) **U.S. Cl.**
USPC **D24/180**
- (58) **Field of Classification Search**
USPC D24/180-182, 152, 176, 110.5, 128, 143,
D24/145, 146; D29/108; D25/119;
D8/367, 371
CPC A61C 7/02; A61C 7/08; A61C 7/10; A61C
7/12; A61C 7/14; A61C 7/141; A61C
7/143; A61C 7/145; A61C 7/146; A61C
7/148; A61C 7/16; A61C 7/18; A61M
16/0488; A61M 16/049; A61M 16/0493;
A61M 16/0495; A61M 16/0497; A61F
5/56; A61F 5/566; A63B 71/085; A63B
2071/086
See application file for complete search history.

(56) **References Cited**

U.S. PATENT DOCUMENTS

D303,708 S * 9/1989 Pospisil D24/180
 D304,077 S * 10/1989 Pospisil D24/180
 4,952,141 A * 8/1990 Wool A61C 7/14
 433/24

4,954,080 A * 9/1990 Kelly A61C 7/12
 433/8
 5,044,945 A * 9/1991 Peterson A61C 7/12
 433/8
 D322,482 S * 12/1991 Ianieri D24/180
 5,096,862 A * 3/1992 Mathers C04B 35/115
 501/96.1
 5,145,365 A * 9/1992 Farzin-Nia A61C 7/12
 433/8
 5,158,452 A * 10/1992 Franseen A61C 7/12
 433/24
 6,264,469 B1 * 7/2001 Moschik A61C 7/141
 433/10
 D601,260 S * 9/2009 Romano D24/180
 (Continued)

FOREIGN PATENT DOCUMENTS

JP D1641792 * 8/2019
 JP D1641793 * 8/2019

Primary Examiner — Lilyana Bekic
Assistant Examiner — Lee D. Starr

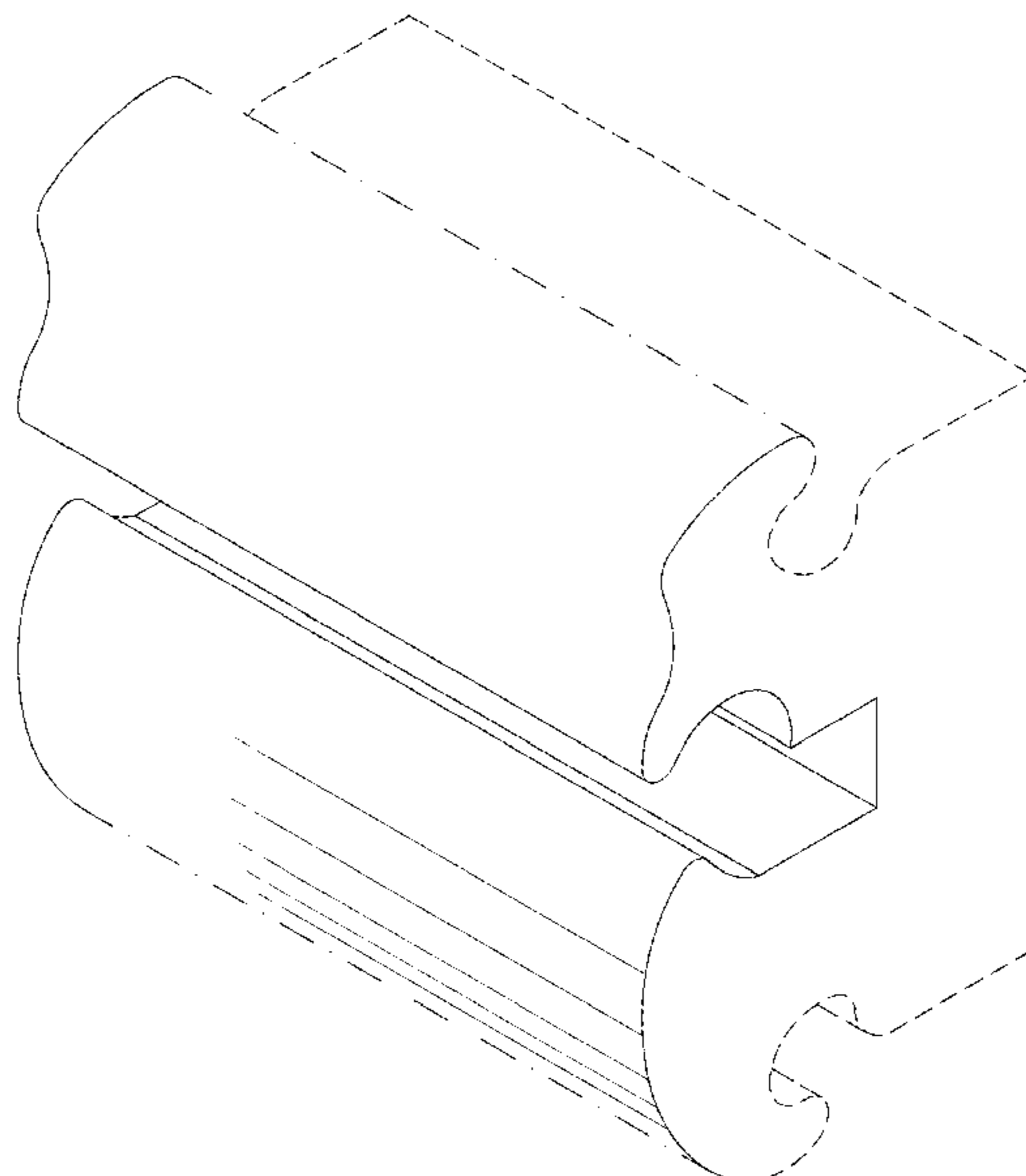
(57) **CLAIM**

The ornamental design for an orthodontic bracket, as shown and described.

DESCRIPTION

FIG. 1 is a perspective view of an orthodontic bracket, showing my new design;
 FIG. 2 is a front view thereof;
 FIG. 3 is a rear view thereof;
 FIG. 4 is a left side view thereof;
 FIG. 5 is a right side view thereof;
 FIG. 6 is a top plan view thereof; and,
 FIG. 7 is a bottom plan view thereof.
 The dashed broken lines in the drawings depict portions of the orthodontic bracket that form no part of the claimed design. The dash-dot broken lines depict the bounds of the claimed design and form no part thereof.

1 Claim, 7 Drawing Sheets



(56)

References Cited

U.S. PATENT DOCUMENTS

2003/0064342 A1* 4/2003 Fukutomi A61C 7/141
433/8
2014/0370455 A1* 12/2014 Allesee A61C 7/303
433/13

* cited by examiner

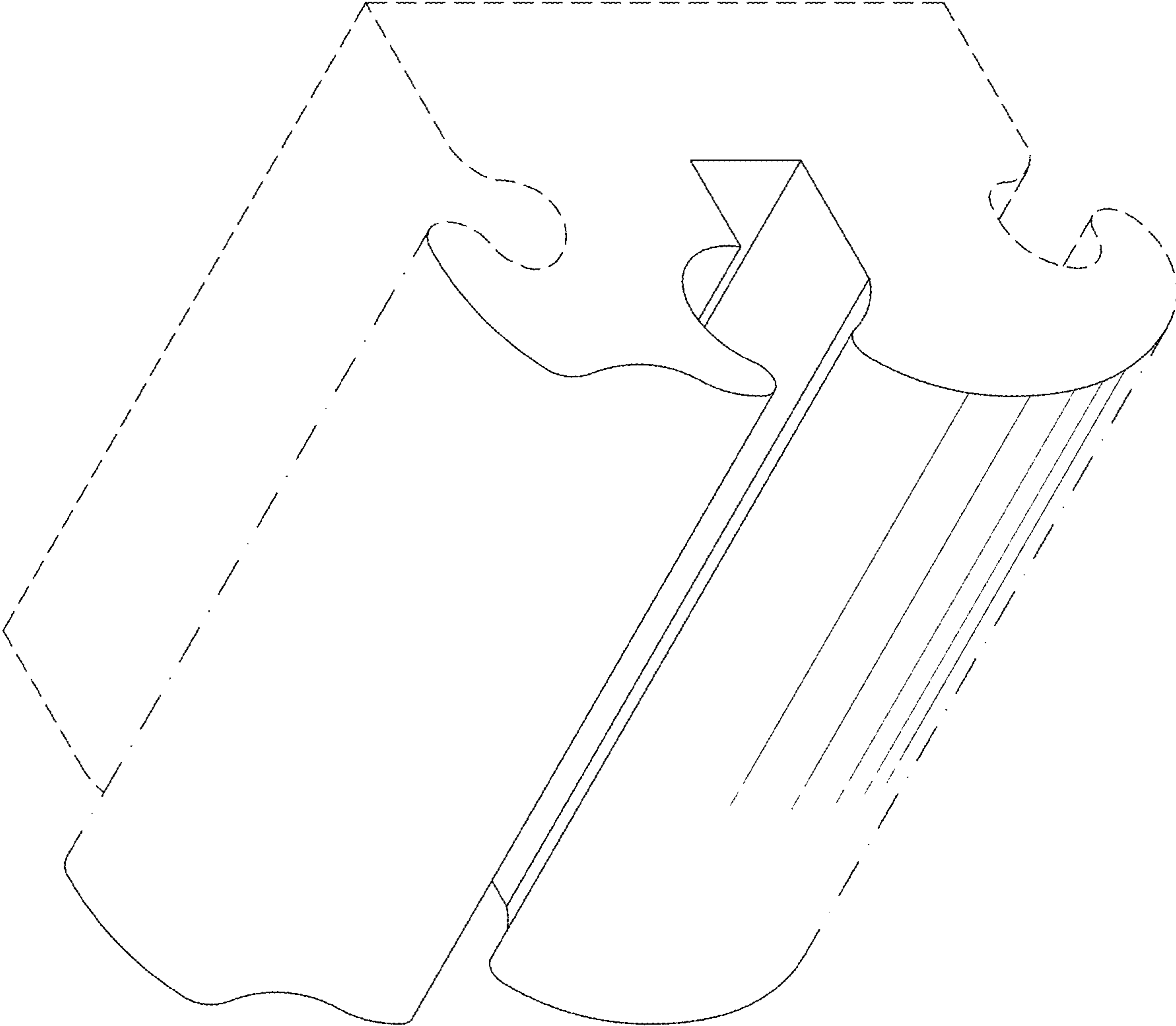


FIG. 1

FIG. 2

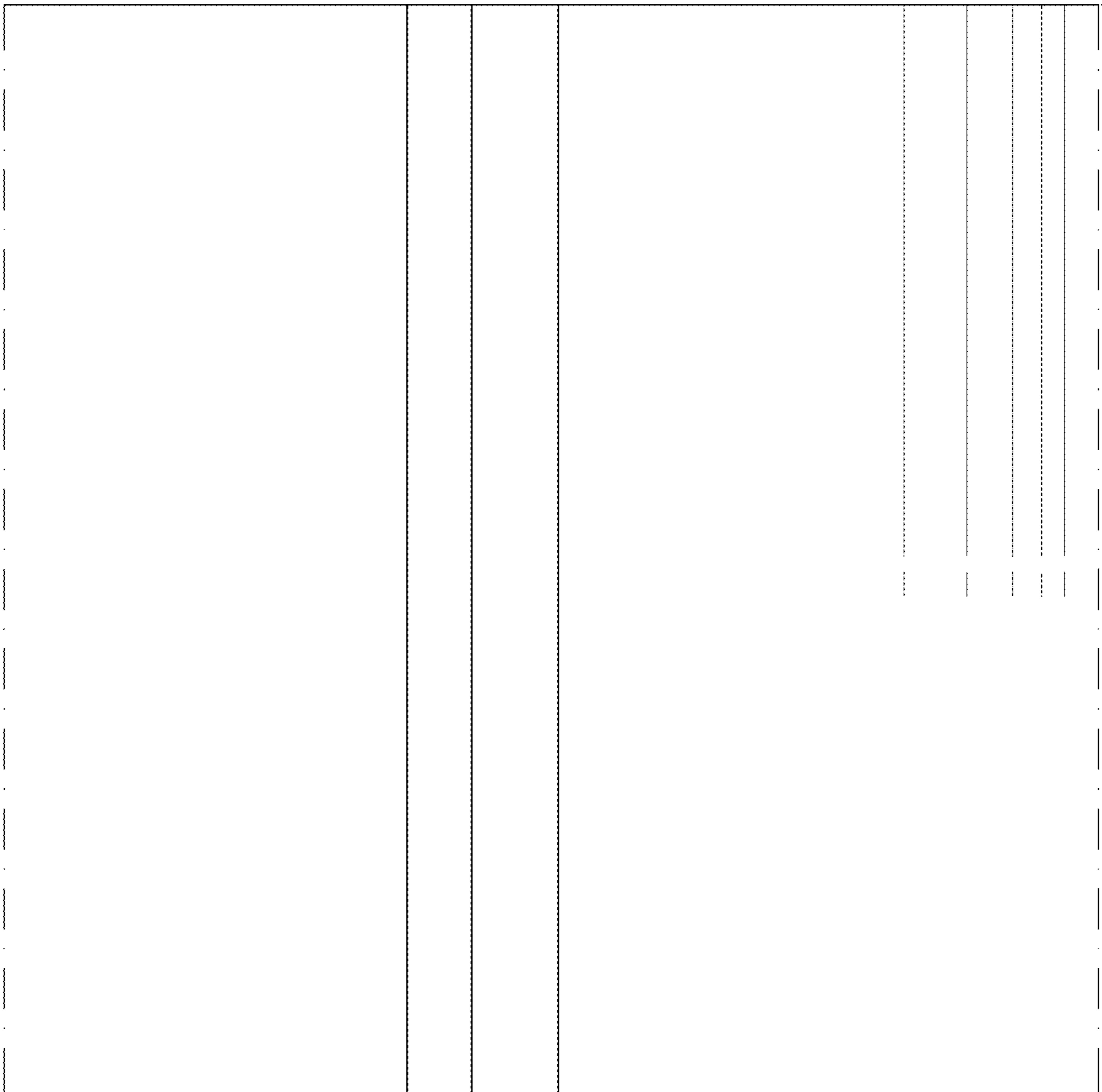


FIG. 3



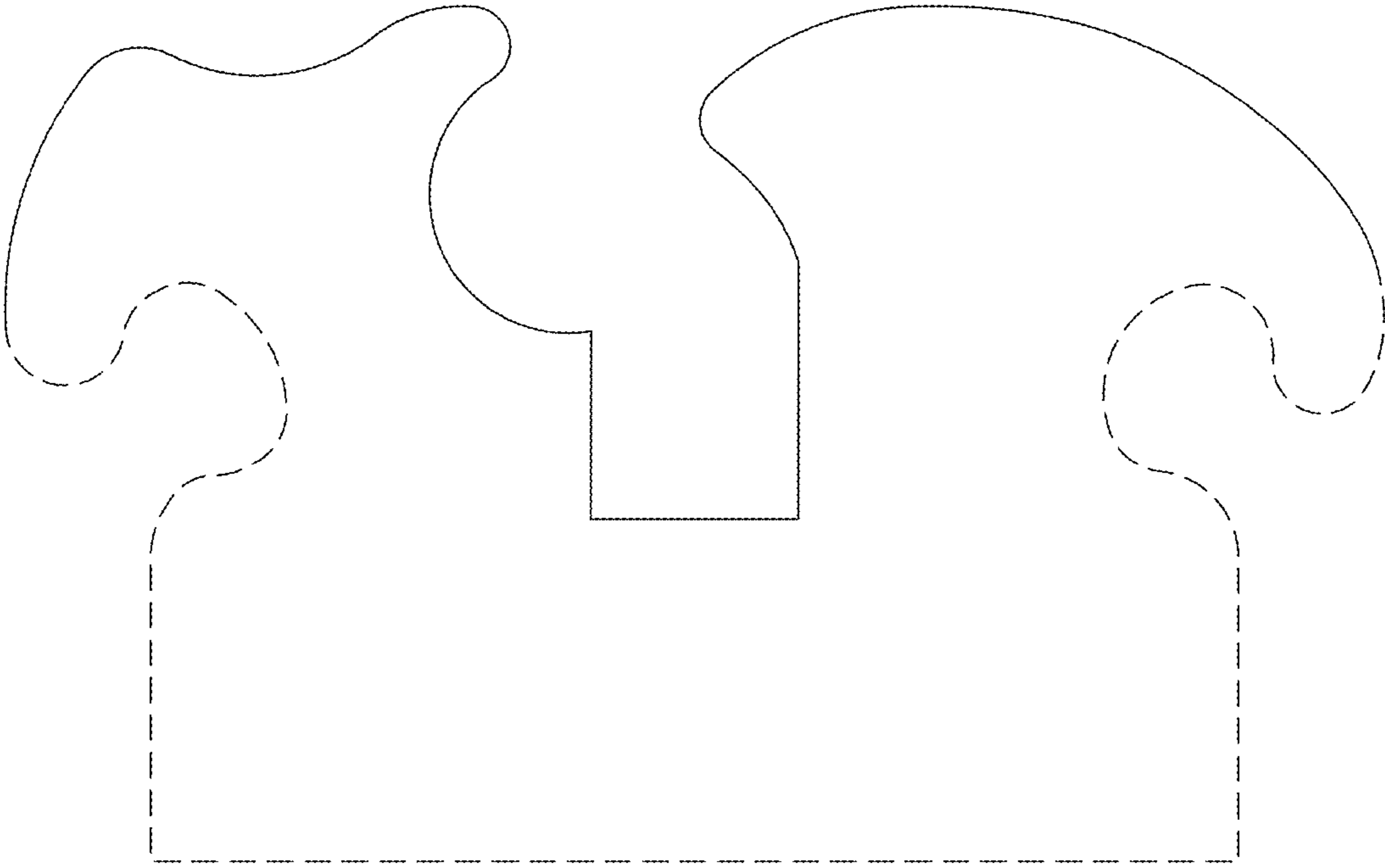


FIG. 4

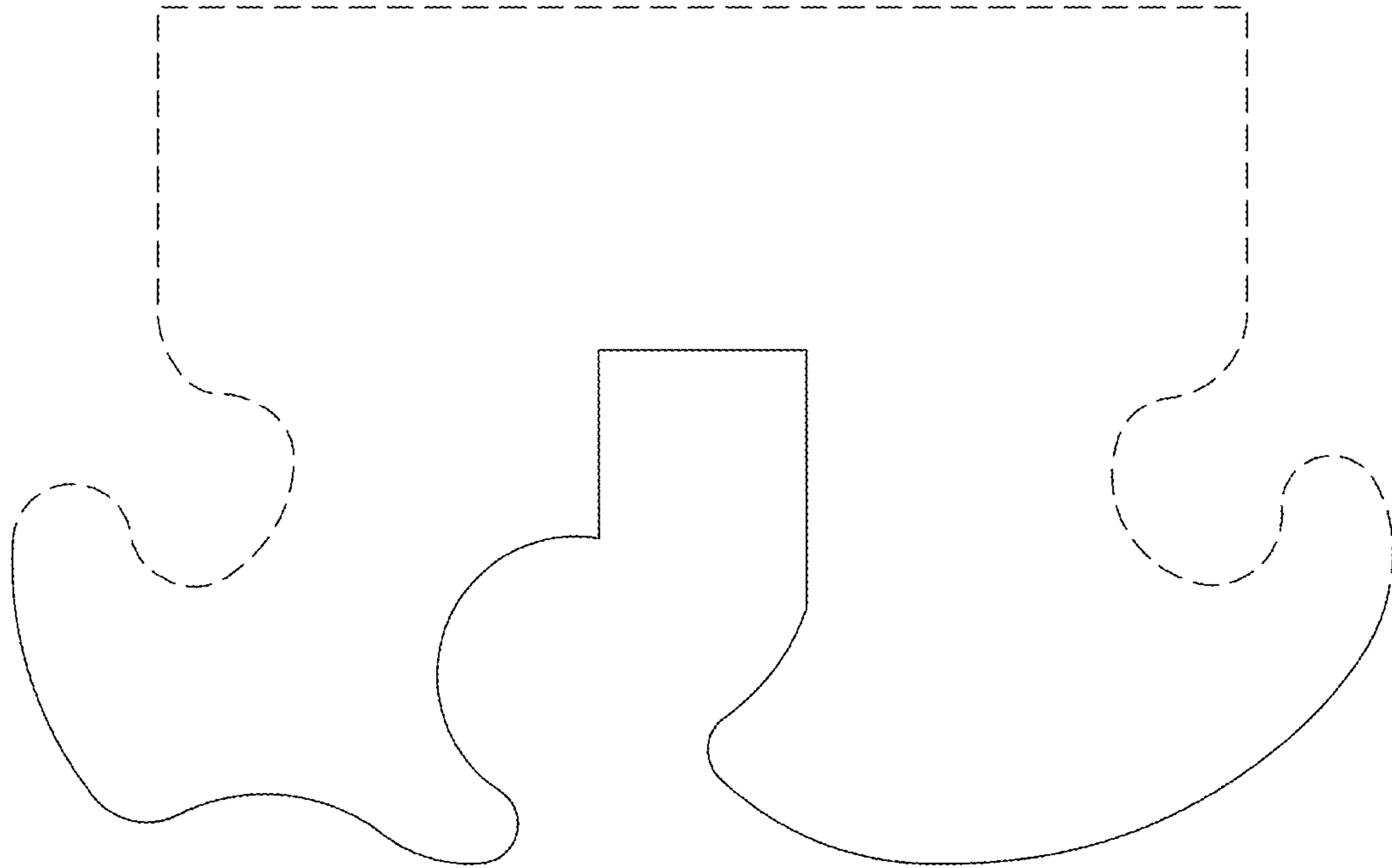
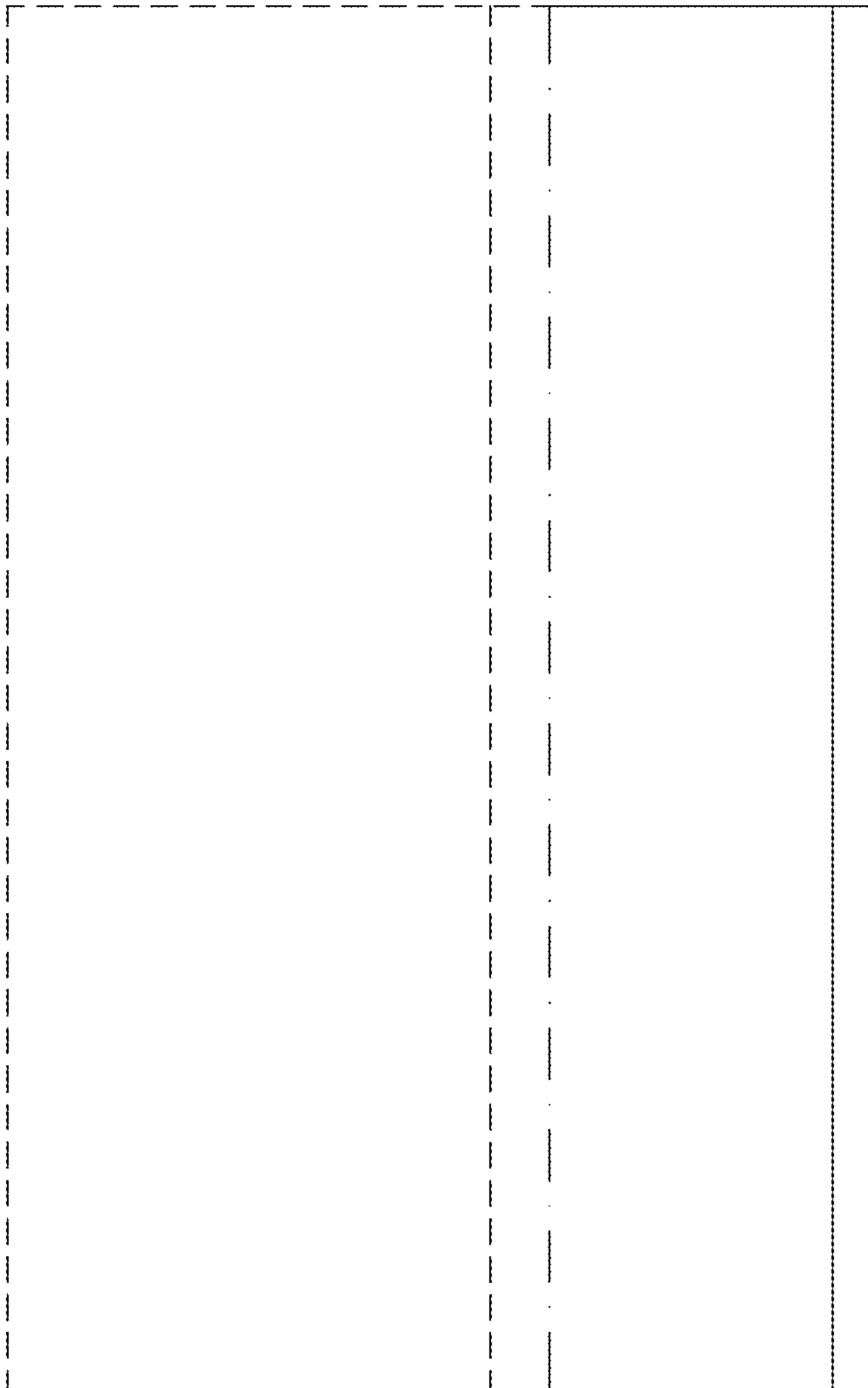


FIG. 5

FIG. 6



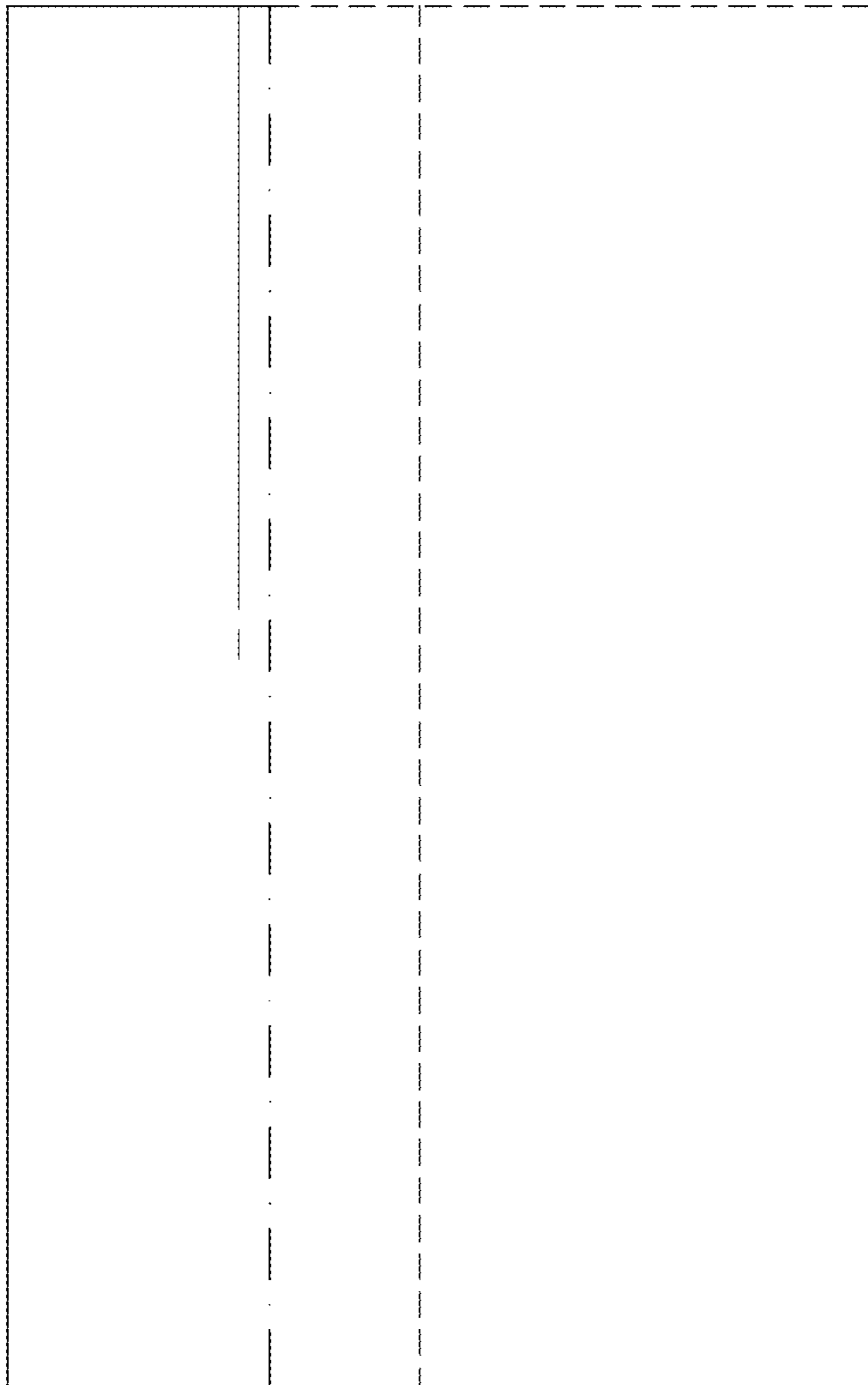


FIG. 7