



US00D950063S

(12) **United States Design Patent** (10) **Patent No.:** **US D950,063 S**
Jackson et al. (45) **Date of Patent:** **** Apr. 26, 2022**

(54) **LIGHT SEAL PAIR**

(71) Applicant: **MacuLogix, Inc.**, Harrisburg, PA (US)

(72) Inventors: **Gregory R. Jackson**, Hershey, PA (US); **David E. Beecher**, Shippensburg, PA (US); **David E. Orr**, Piedmont, SC (US); **Frank Jones**, Carp (CA); **Nathan Smith**, Lewistown, PA (US)

(73) Assignee: **MACULOGIX, INC.**, Harrisburg, PA (US)

(**) Term: **15 Years**

(21) Appl. No.: **29/706,612**

(22) Filed: **Sep. 21, 2019**

(51) **LOC (13) Cl.** **24-02**

(52) **U.S. Cl.**
USPC **D24/172**

(58) **Field of Classification Search**
USPC D3/201, 203.1; D14/218, 240, 250, 252, D14/255, 372; D16/100, 101, 130, 131, D16/132, 133, 134, 135, 136, 137, 208, D16/218, 219, 220, 221, 237, 242, 243, D16/300, 309, 330, 331, 334; D24/107, D24/133, 137, 138, 150, 158, 159, 160, D24/172, 183, 185, 186, 188, 216, 217, D24/218, 234
CPC A61B 3/00; A61B 3/0008; A61B 3/0016; A61B 3/0033; A61B 3/0041; A61B 3/005; A61B 3/0058; A61B 3/0075; A61B 3/0091; A61B 3/02; A61B 3/10; A61B 3/1176; A61B 3/12; A61B 3/1208; A61B 3/13; A61B 3/132; A61B 3/14; A61B 3/18; A61B 2017/00017; A61F 9/00; A61F 9/007; A63F 2300/8082; B24B 1/00; B24B 1/002; B24B 1/005; B24B 1/007; B24B 1/04; B24B 1/24; B24B 1/0025

See application file for complete search history.

(56) **References Cited**

U.S. PATENT DOCUMENTS

4,835,796 A * 6/1989 Wiedner A61F 9/02
2/431
D394,275 S * 5/1998 Hall A61B 3/12
D16/303

(Continued)

OTHER PUBLICATIONS

Adorama, "Nikon DK-19 Rubber Eyecup", first available Jul. 11, 2007. (<https://www.adorama.com/nkdk19.html>) (Year: 2007).*

(Continued)

Primary Examiner — Lauren D McVey

Assistant Examiner — Justin A Johnson

(74) *Attorney, Agent, or Firm* — White & Case LLP

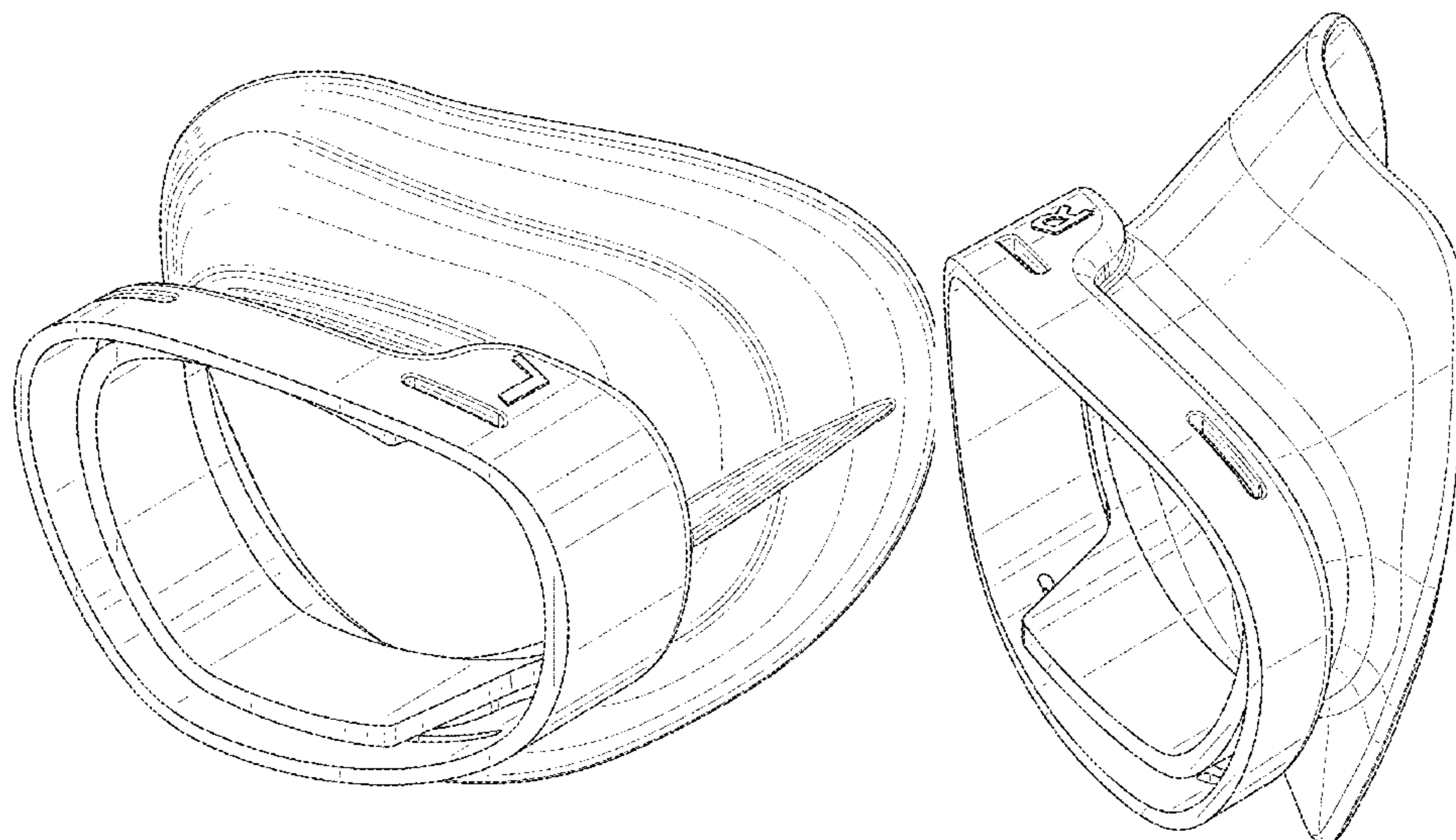
(57) **CLAIM**

The ornamental design for a light seal pair, as shown and described.

DESCRIPTION

FIG. 1 is a perspective view of a left-side of a light seal pair; FIG. 2 is a front view thereof; FIG. 3 is a rear view thereof; FIG. 4 is a side view thereof; FIG. 5 is another side view thereof; FIG. 6 is a top view thereof; FIG. 7 is a bottom view thereof; FIG. 8 is a perspective view of a right-side of a light seal pair; FIG. 9 is a front view thereof; FIG. 10 is a rear view thereof; FIG. 11 is a side view thereof; FIG. 12 is another side view thereof; FIG. 13 is a top view thereof; and, FIG. 14 is a bottom view thereof.

1 Claim, 14 Drawing Sheets



(56)

References Cited

U.S. PATENT DOCUMENTS

6,343,386 B1 * 2/2002 Chou A63B 33/002
 2/428
 D683,386 S * 5/2013 Smith A63B 33/00
 D16/311
 D830,441 S 10/2018 Chuang
 D847,894 S 5/2019 Li et al.
 D898,093 S * 10/2020 Wilson D16/101
 2002/0152543 A1 * 10/2002 Chou A63B 33/00
 2/428
 2005/0174647 A1 * 8/2005 Fischbach G02B 23/16
 359/600
 2007/0013800 A1 * 1/2007 Pope G02B 7/021
 348/333.01
 2011/0292506 A1 * 12/2011 Ramboyong G02B 23/16
 359/507
 2017/0304721 A1 * 10/2017 Manuel A63F 13/25
 2019/0146240 A1 * 5/2019 Chen A63B 33/002
 351/43
 2019/0282087 A1 * 9/2019 AlRegib A61B 3/12
 2020/0093361 A1 * 3/2020 Jackson A61B 3/005

OTHER PUBLICATIONS

Facebook, "Change the Future of Eye Care with AdaptDx Pro", first available Jan. 2, 2020. (<https://www.facebook.com/292652814414123/videos/3210470828980274>) (Year: 2020).*

Edmund Optics, "Style D Rubber Eyeguard", first accessed Apr. 15, 2021. (https://www.edmundoptics.com/p/style-d-rubber-eyeguard-for-125quot-eyepiece-dia-1-piece/10878?gclid=EAlalQobChMlucCfr8fs7wIVGL3lCh0aRQRaEAQYAiABEgJLXPD_BwE) (Year: 2021).*

TNVC, "PVS-14/ PVS-7 Rubber Eyecup", first available Apr. 15, 2021. (<https://tnvc.com/shop/pvs-14-pvs-7-rubber-eyecup/>) (Year: 2021).*

Oculus, "Play the next level of gaming," <https://www.oculus.com/>, retrieved on Oct. 25, 2019, 11 pages.

* cited by examiner

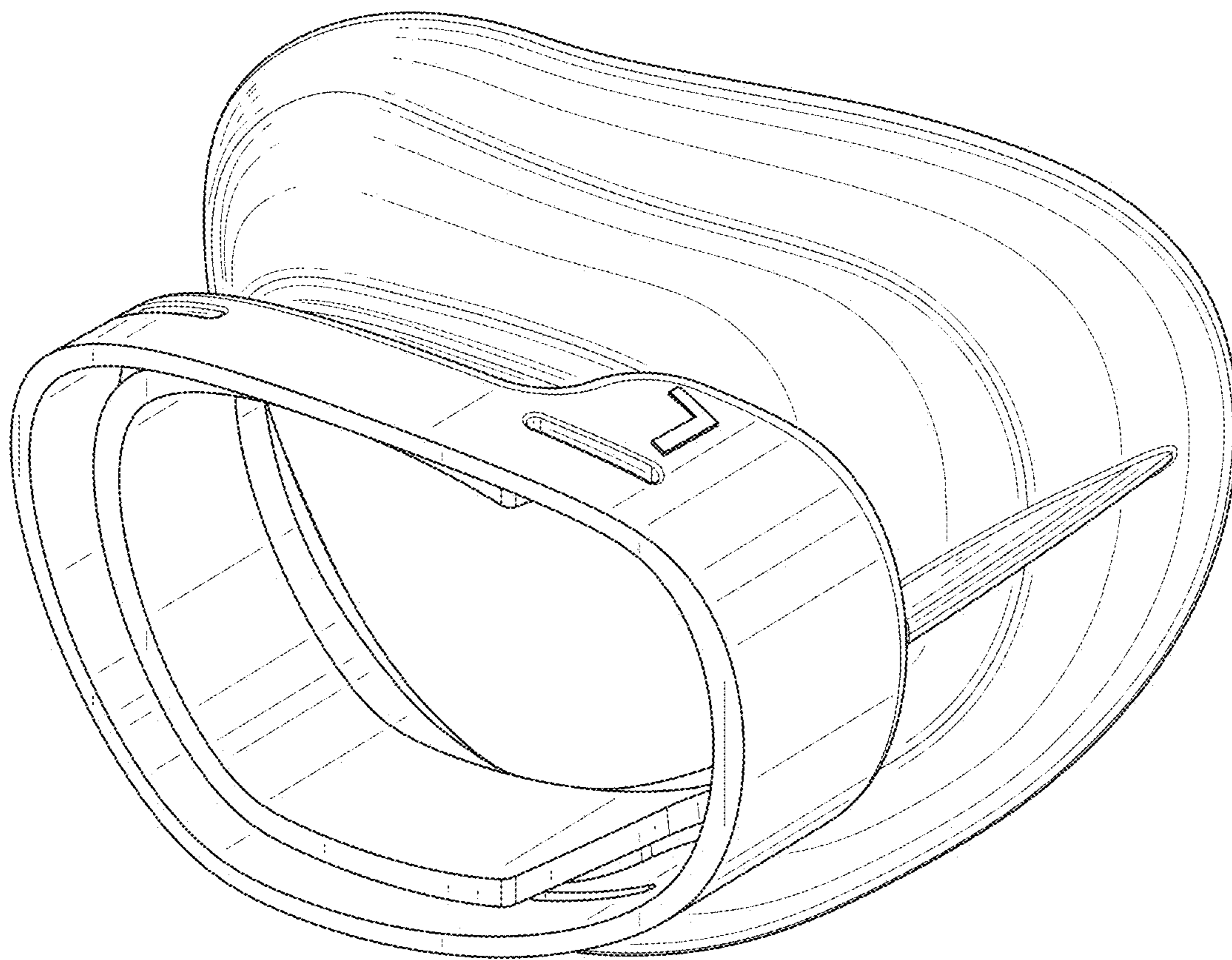


FIG. 1

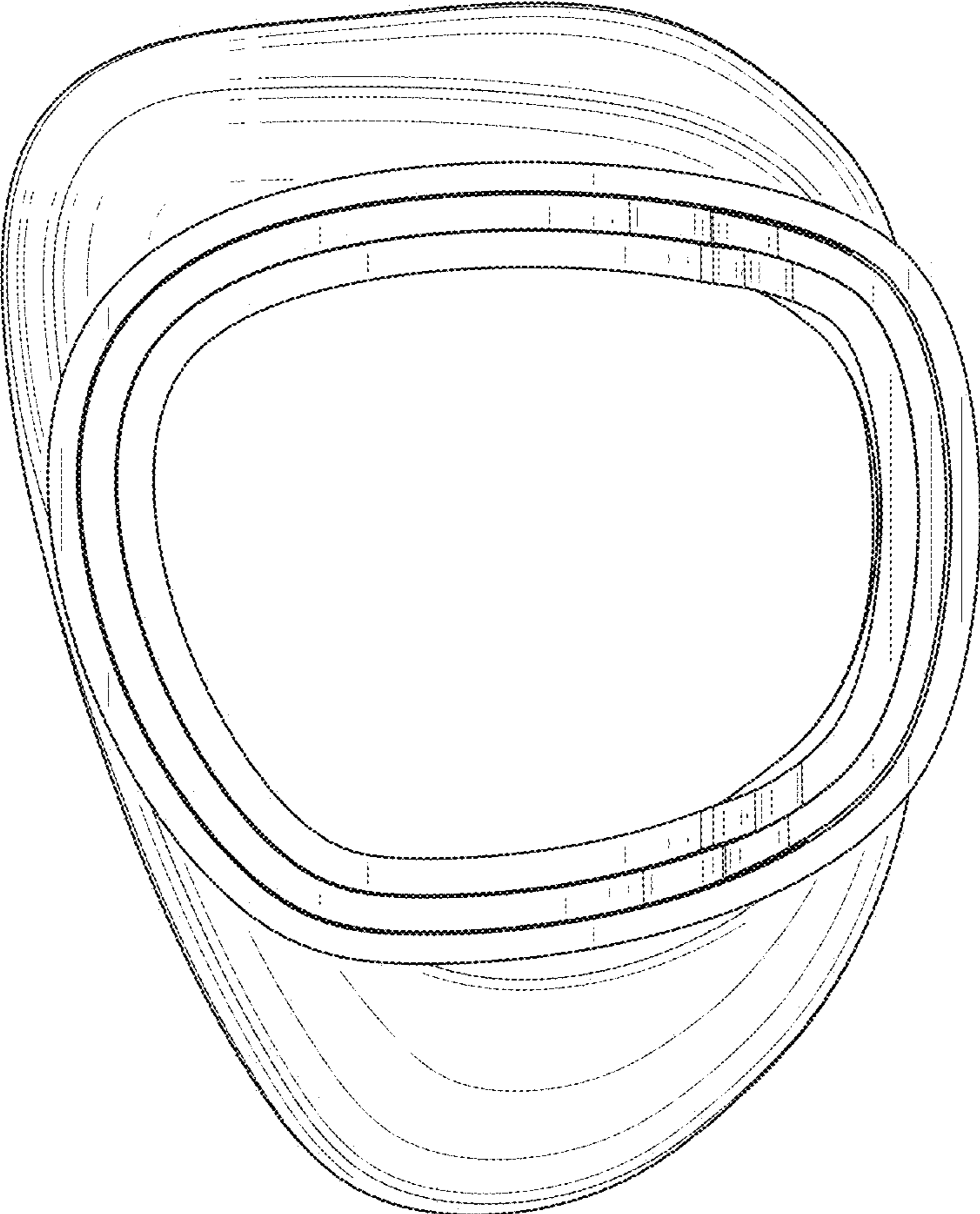


FIG. 2

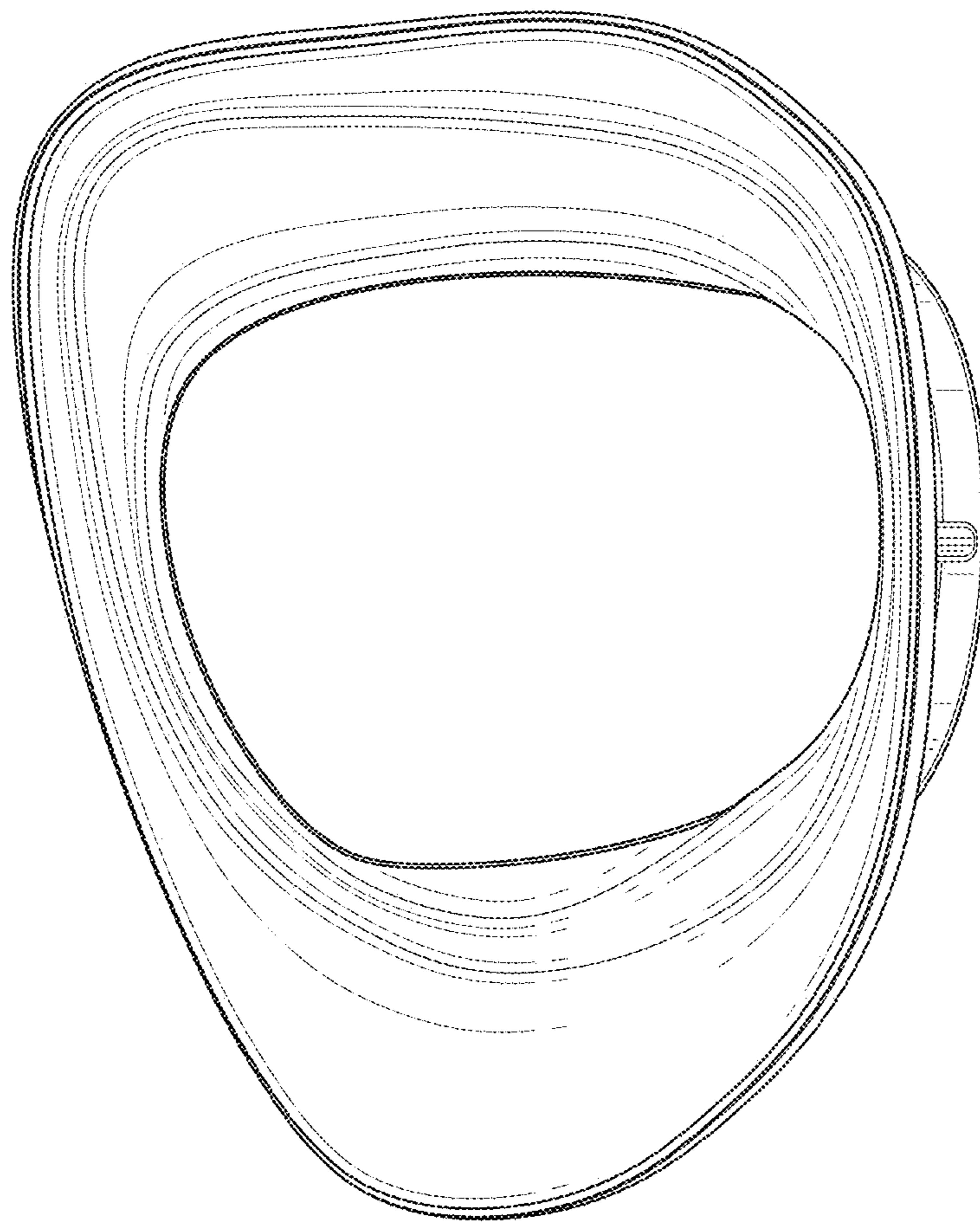


FIG. 3

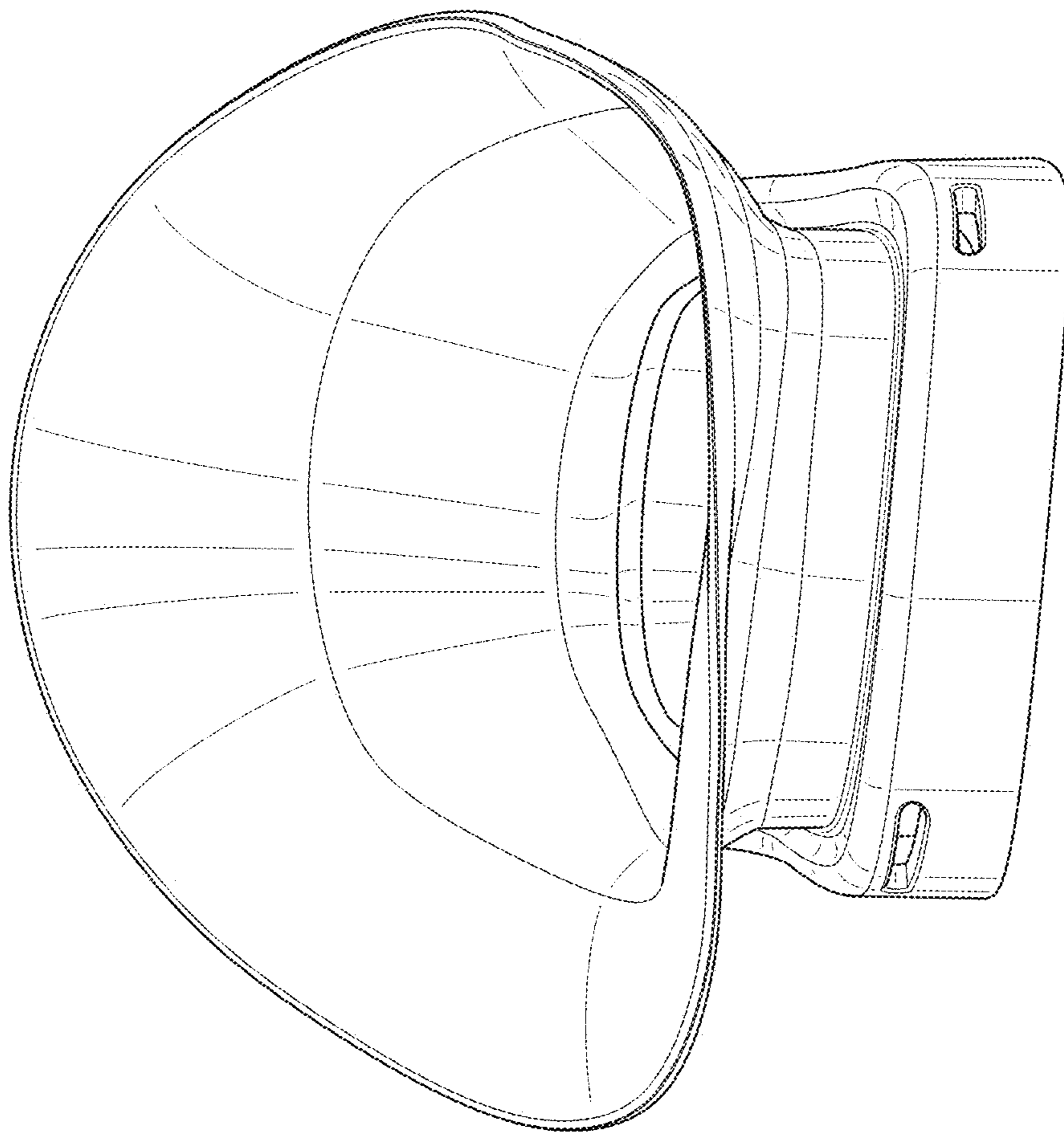


FIG. 4

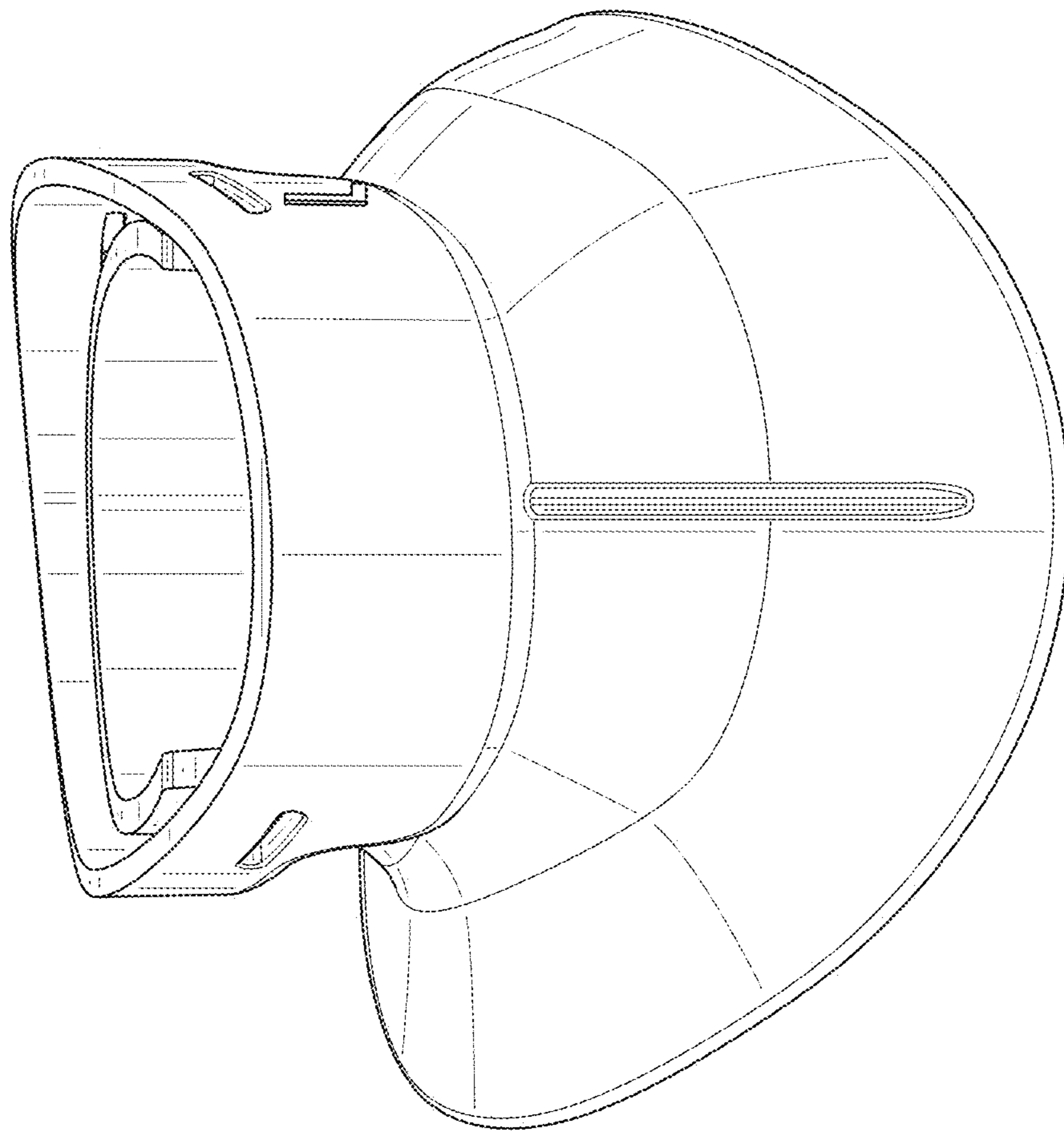


FIG. 5

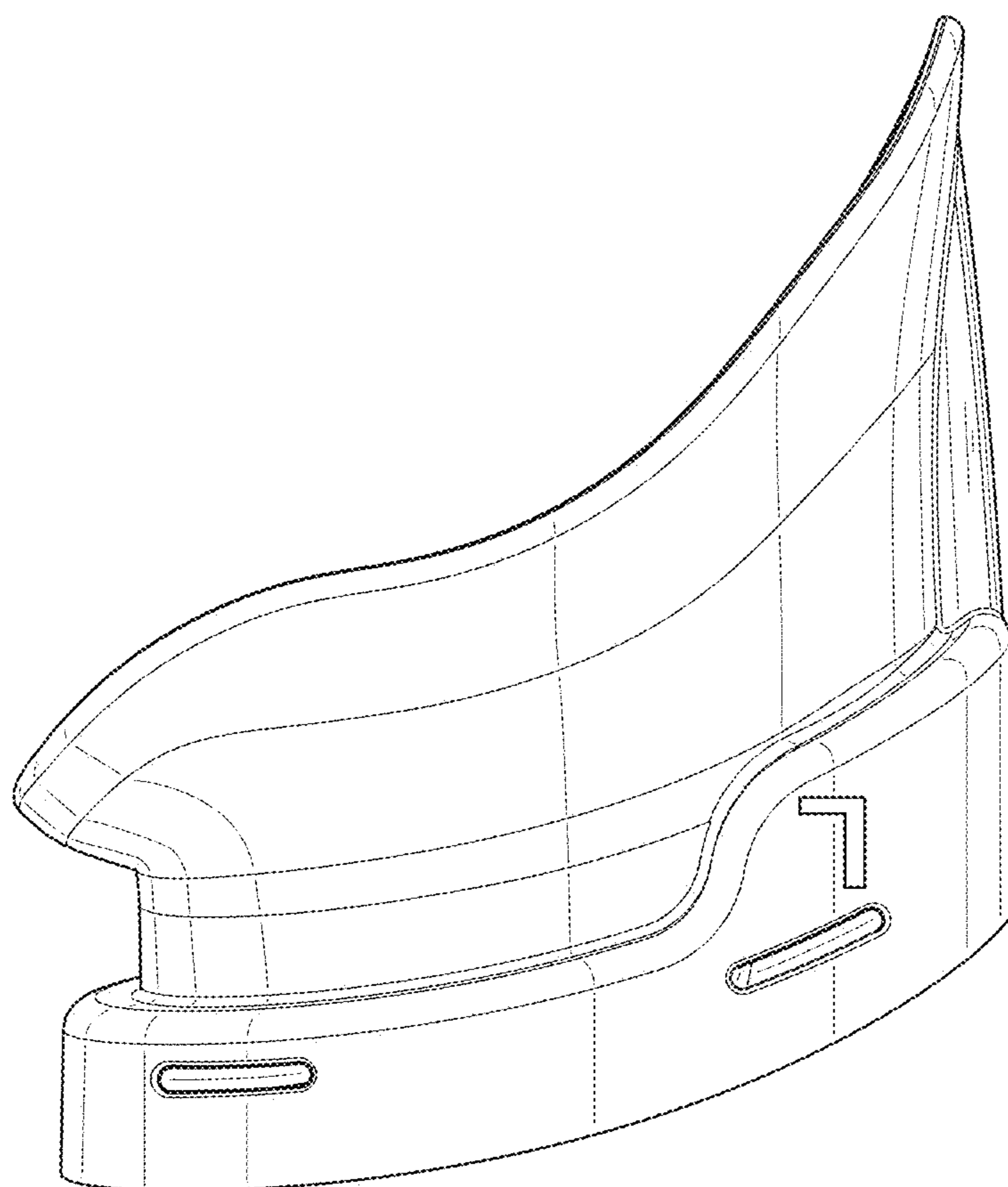


FIG. 6

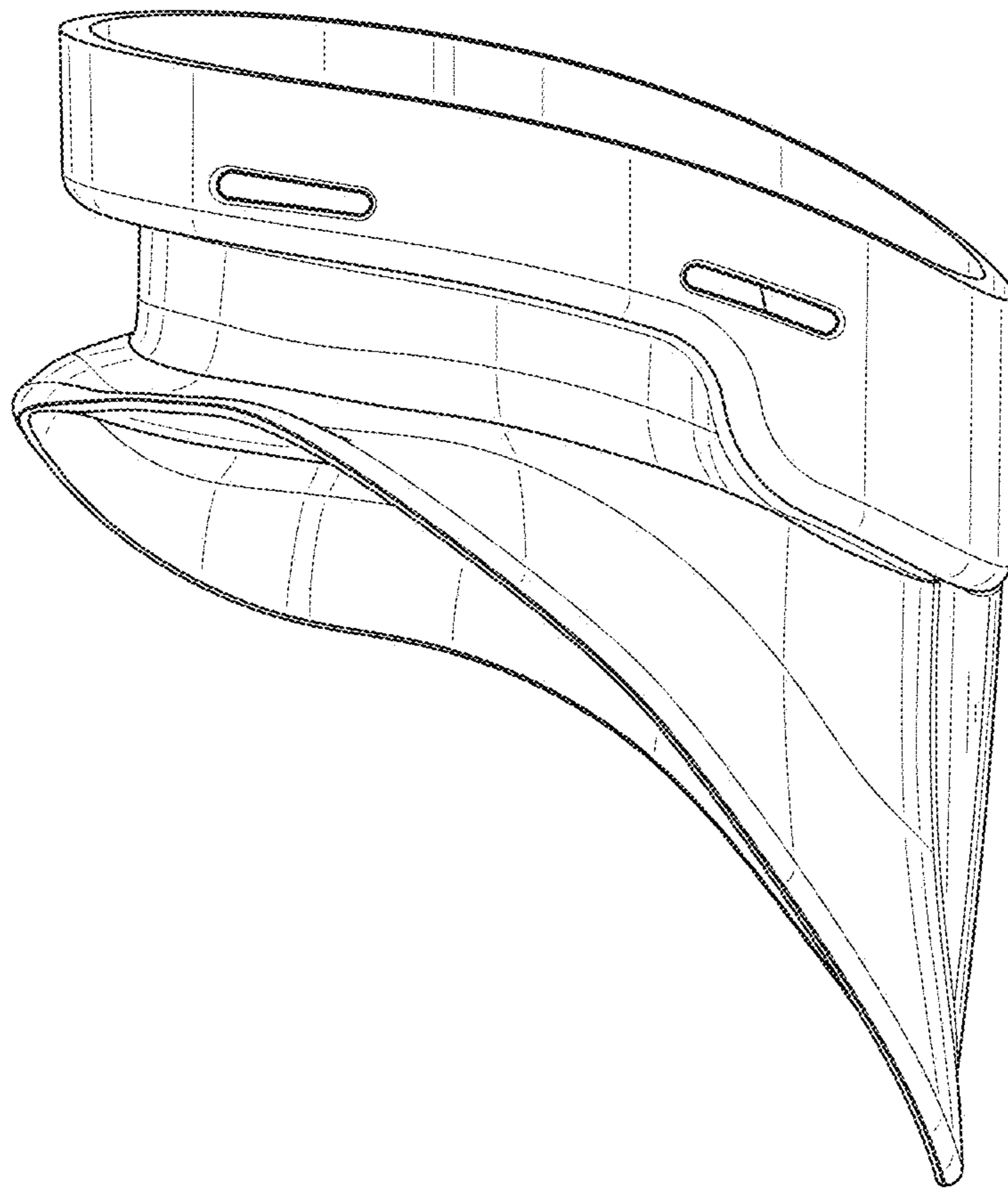


FIG. 7

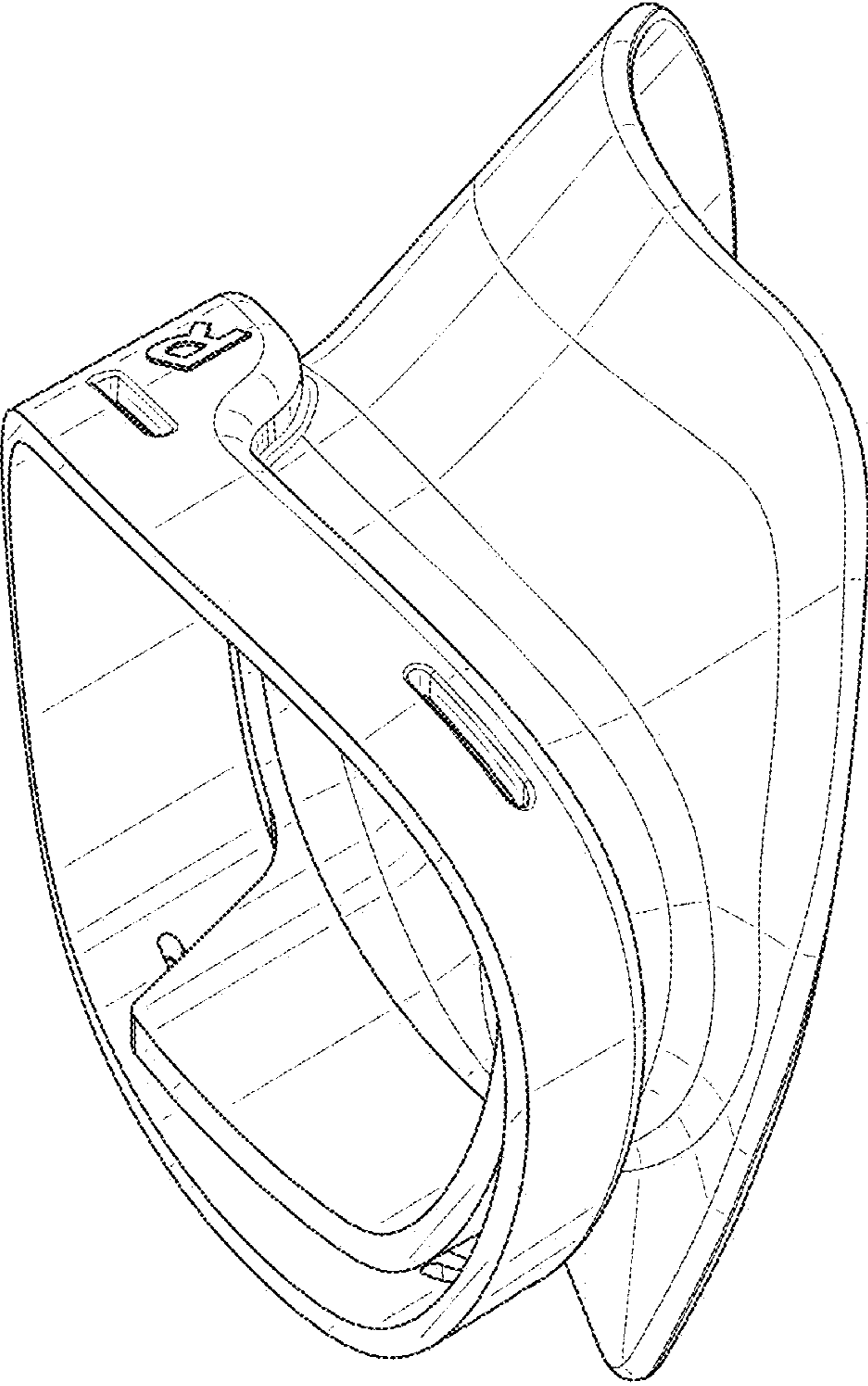


FIG. 8

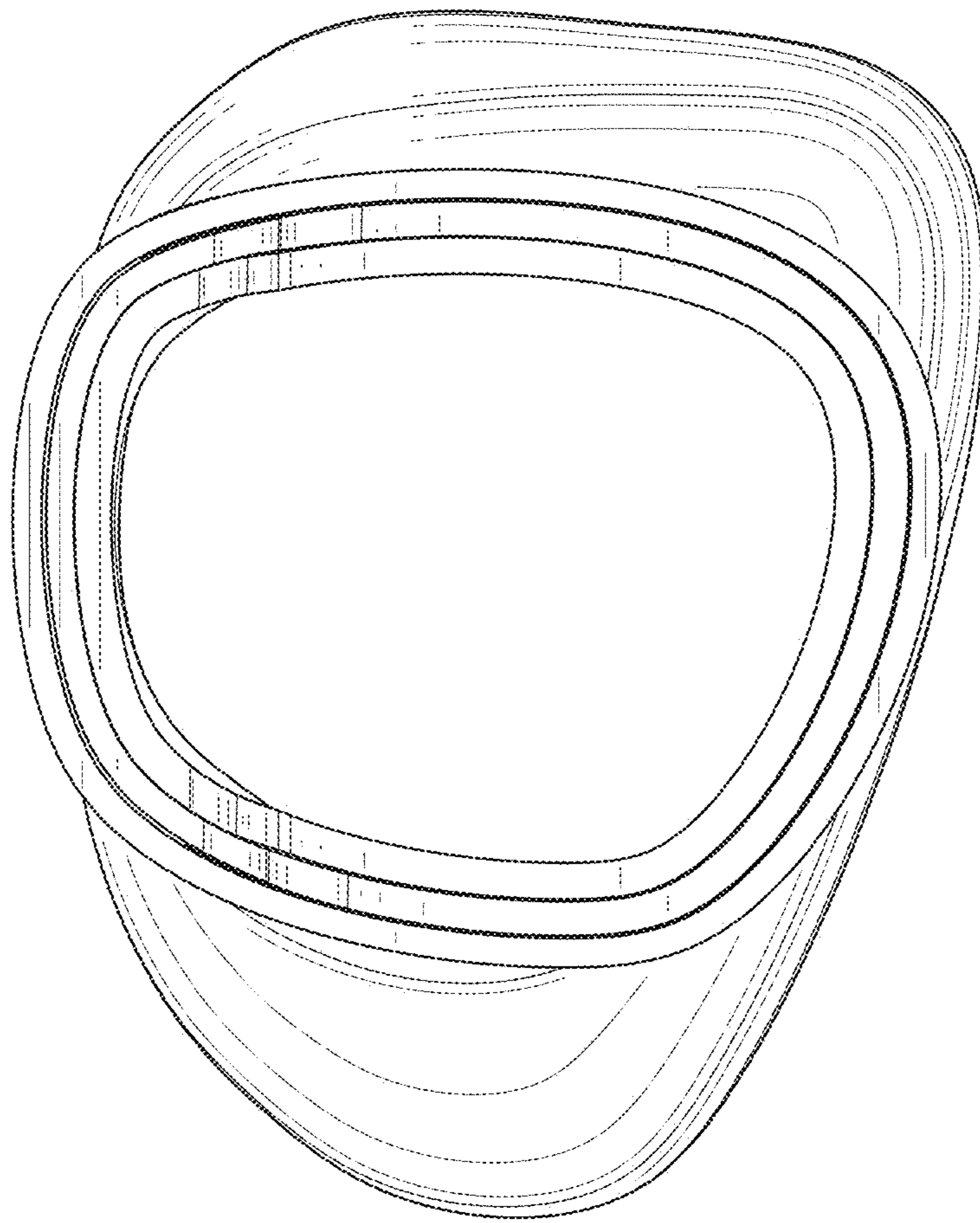


FIG. 9

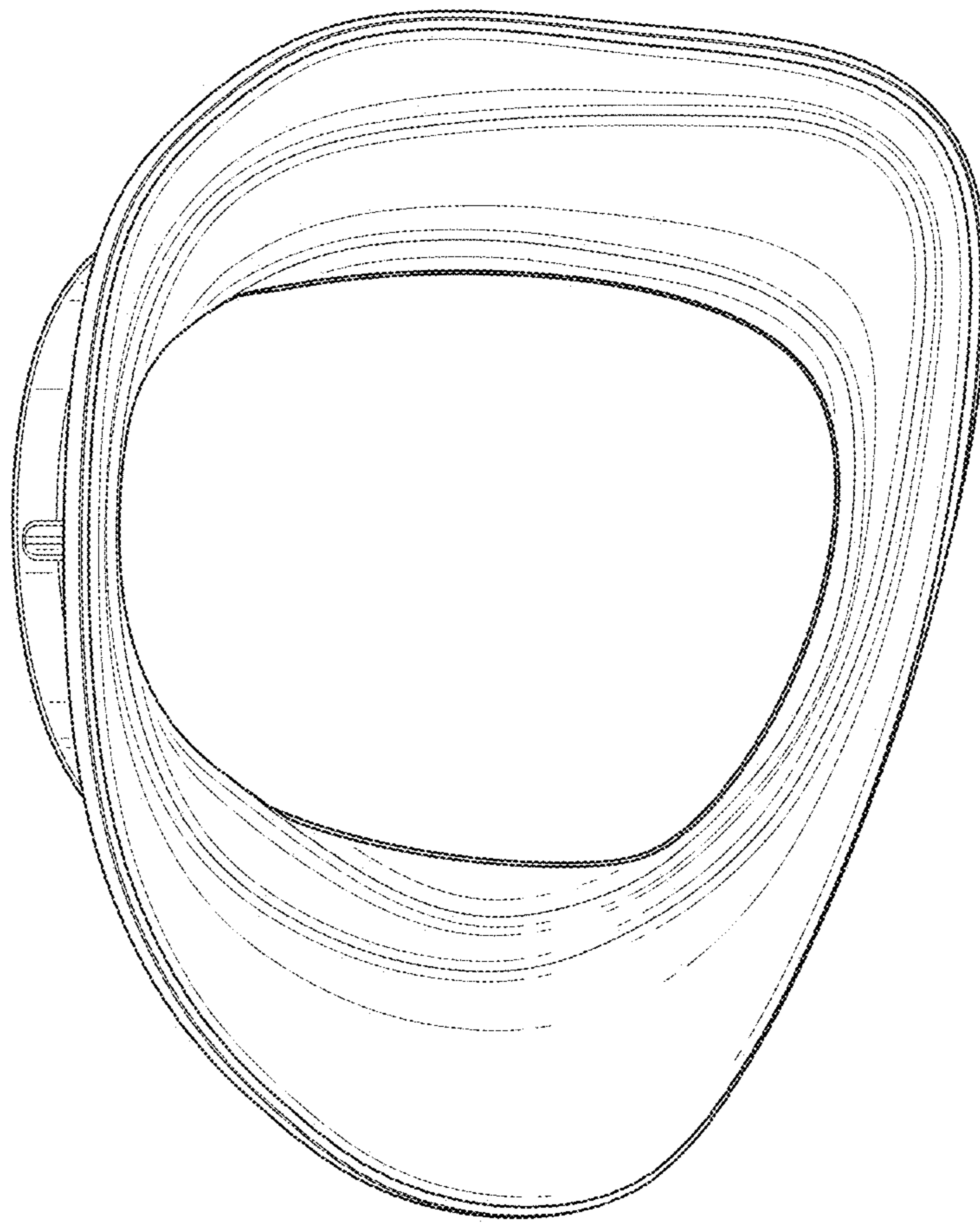


FIG. 10

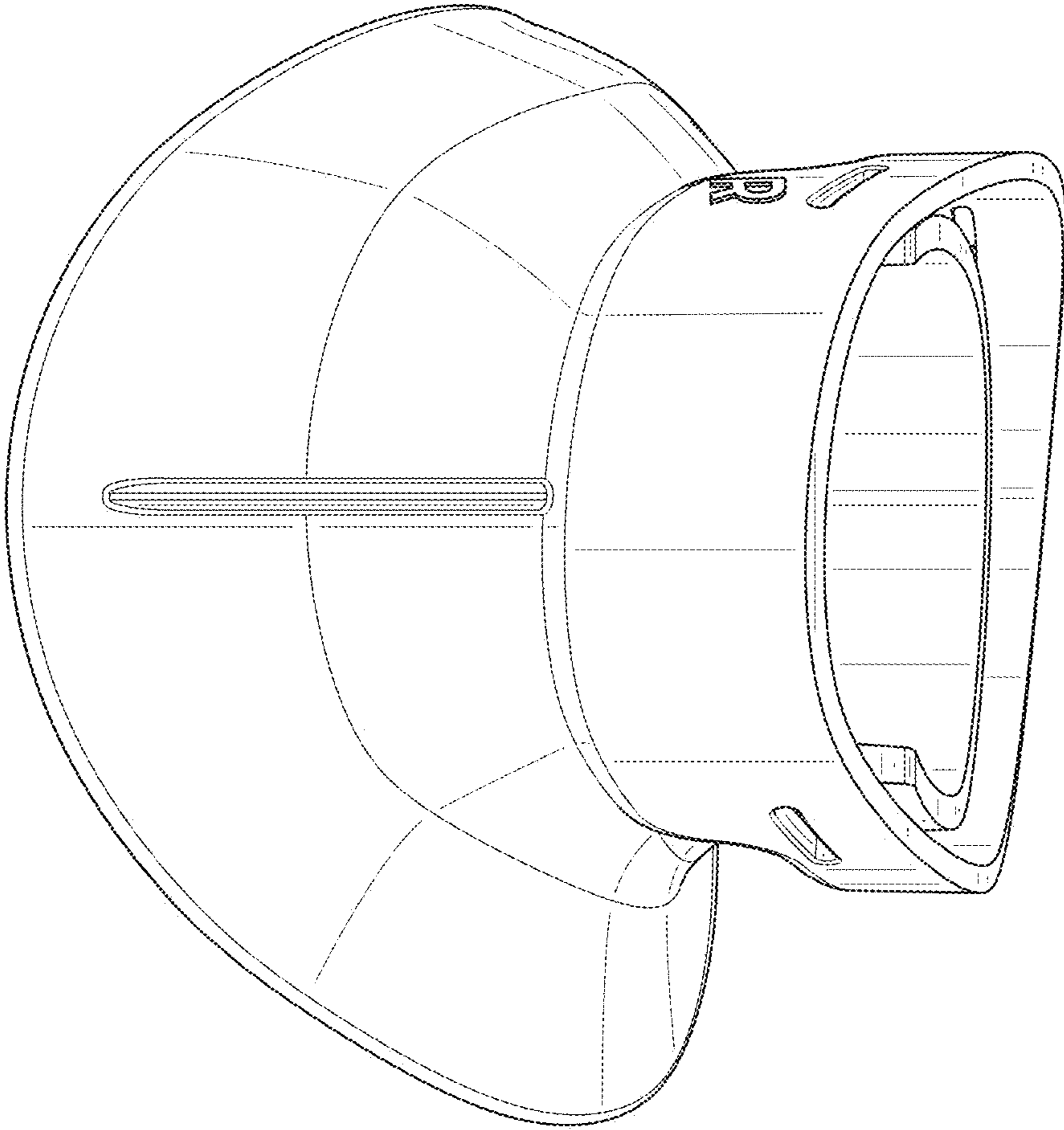


FIG. 11

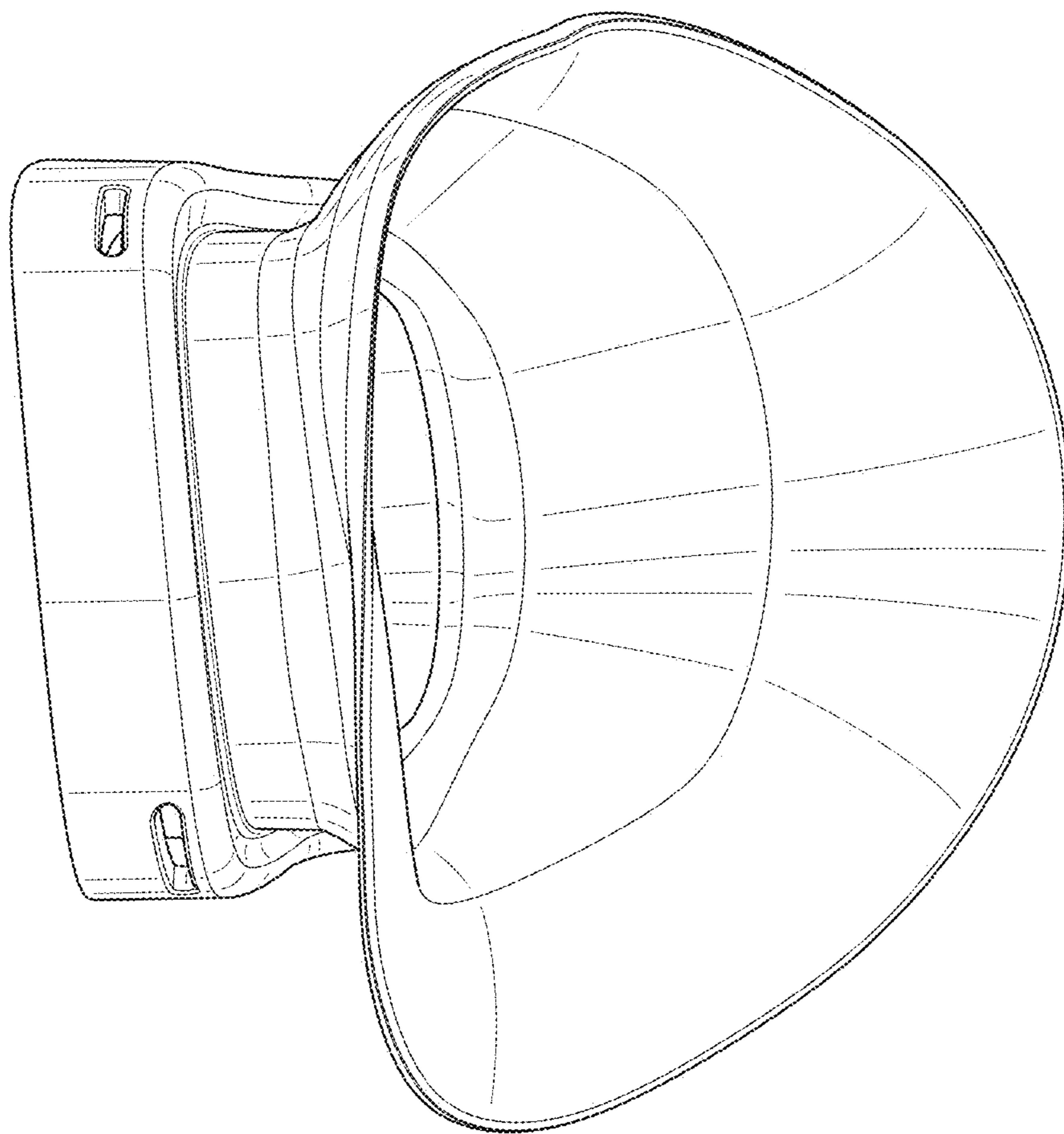


FIG. 12

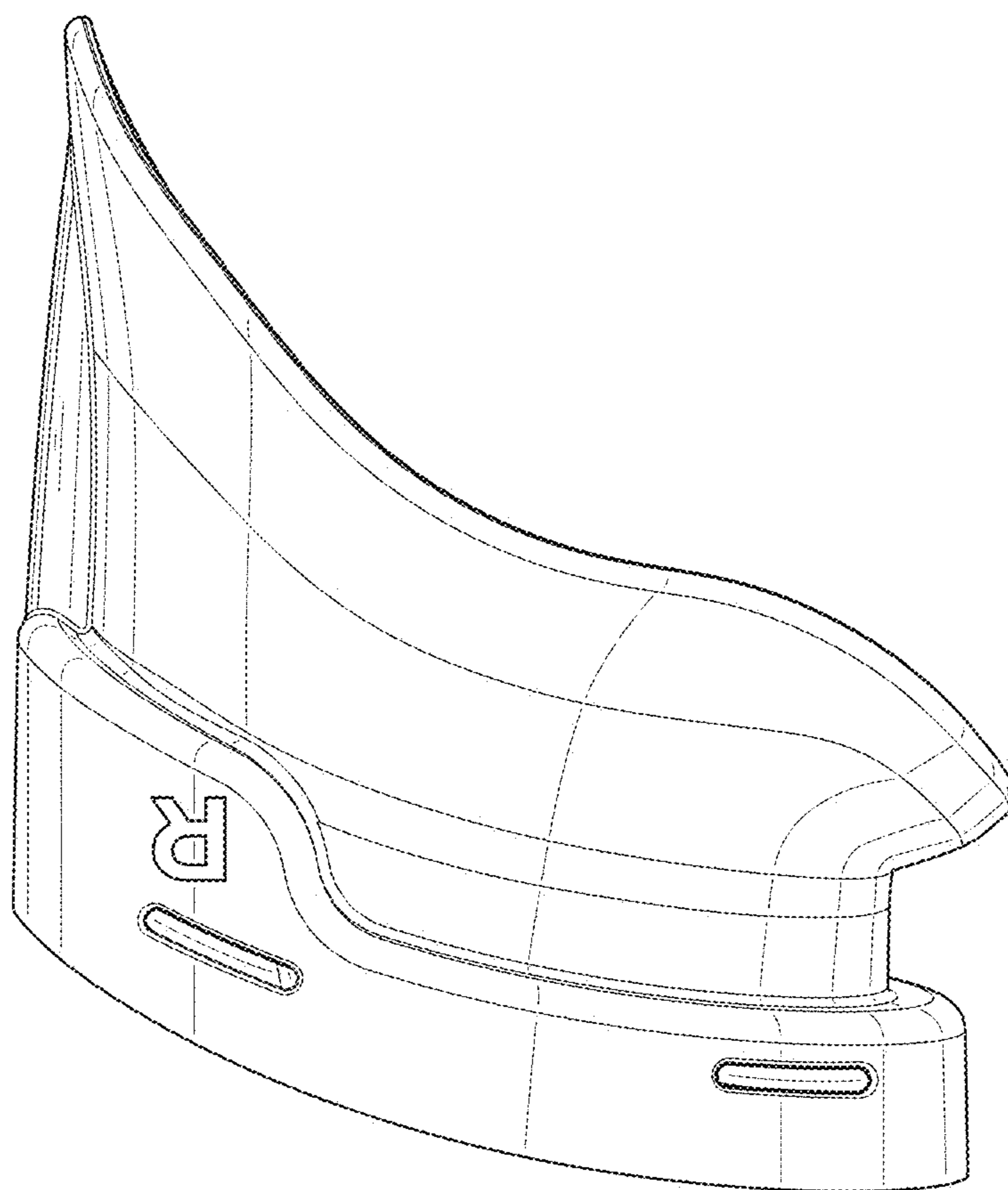


FIG. 13

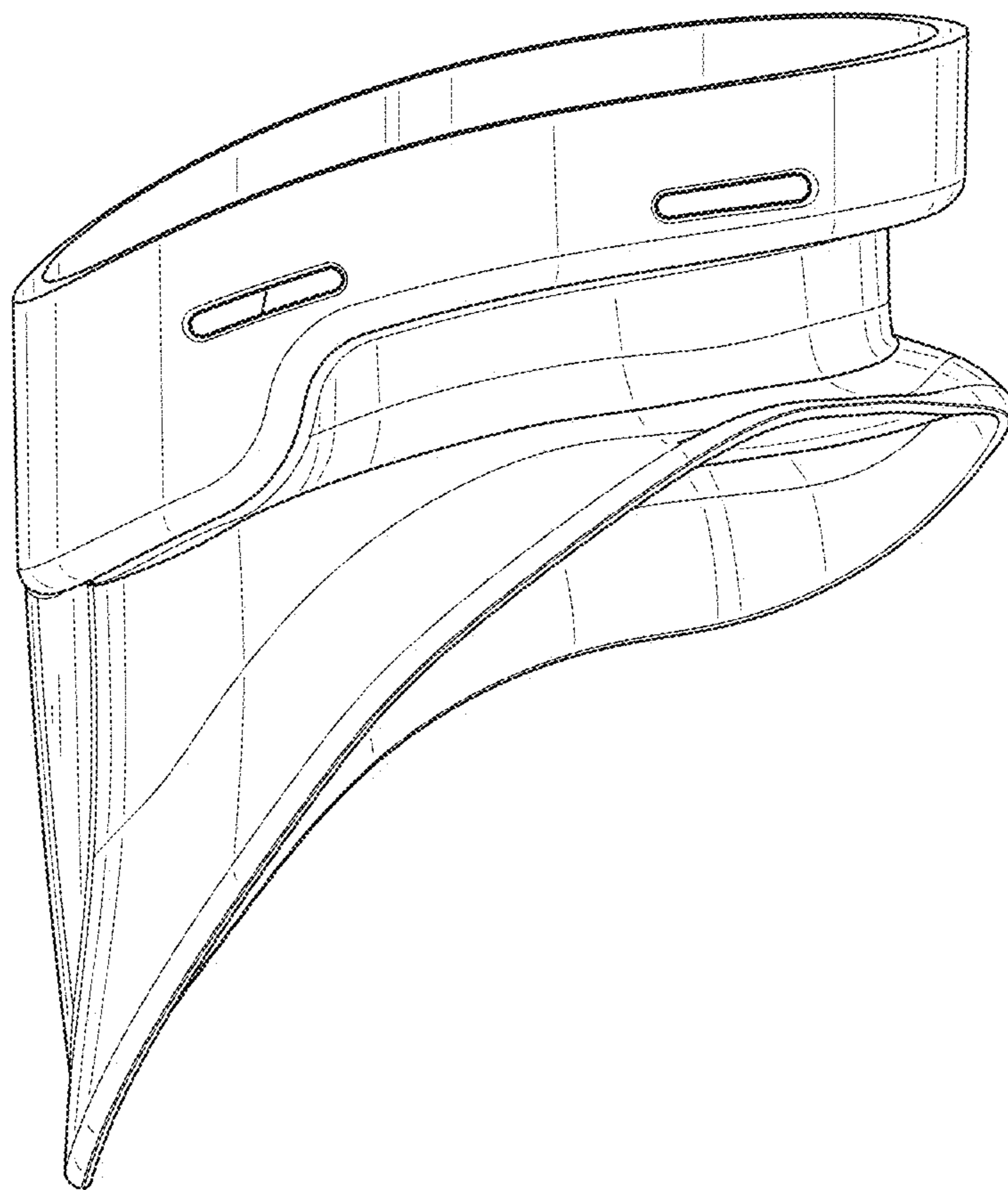


FIG. 14