



US00D950061S

(12) **United States Design Patent** (10) **Patent No.:** **US D950,061 S**
Riggs et al. (45) **Date of Patent:** **** Apr. 26, 2022**

(54) **MULTI DETECTOR RADIOLOGICAL SOURCE JIG**

D851,275 S * 6/2019 Spuhler D24/225
D864,394 S * 10/2019 Kumar D24/158
2015/0063550 A1* 3/2015 Wojcik G03B 42/04
378/189

(71) Applicant: **UT-Battelle, LLC**, Oak Ridge, TN (US)

FOREIGN PATENT DOCUMENTS

(72) Inventors: **Anthony Riggs**, Kingston, TN (US);
Jason C. Combs, Calhoun, TN (US);
Rockford E. Estes, Jr., Knoxville, TN (US)

KR 3020170053876 * 11/2017

* cited by examiner

(73) Assignee: **UT-Battelle, LLC**, Oak Ridge, TN (US)

Primary Examiner — Omeed Agilee

(74) *Attorney, Agent, or Firm* — Warner Norcross + Judd LLP

(**) Term: **15 Years**

(57) **CLAIM**

The ornamental design for a multi detector radiological source jig, as shown and described.

(21) Appl. No.: **29/697,000**

DESCRIPTION

(22) Filed: **Jul. 3, 2019**

(51) **LOC (13) Cl.** **24-01**

The invention was made with government support under Contract No. DE-AC05-00OR22725 awarded by the U.S. Department of Energy. The government has certain rights in the invention.

(52) **U.S. Cl.**

USPC **D24/158**; D24/224

(58) **Field of Classification Search**

USPC D24/158–161, 186, 223–227, 229, 231

CPC H04N 5/367; G03B 42/04; A61B 6/4283

See application file for complete search history.

FIG. 1 is a perspective view of a multi detector radiological source jig showing our new design;
FIG. 2 is a top plan view thereof;
FIG. 3 is a bottom plan view thereof;
FIG. 4 is a left side elevation view thereof;
FIG. 5 is a right side elevation view thereof;
FIG. 6 is a rear view thereof; and,
FIG. 7 is a front view thereof.

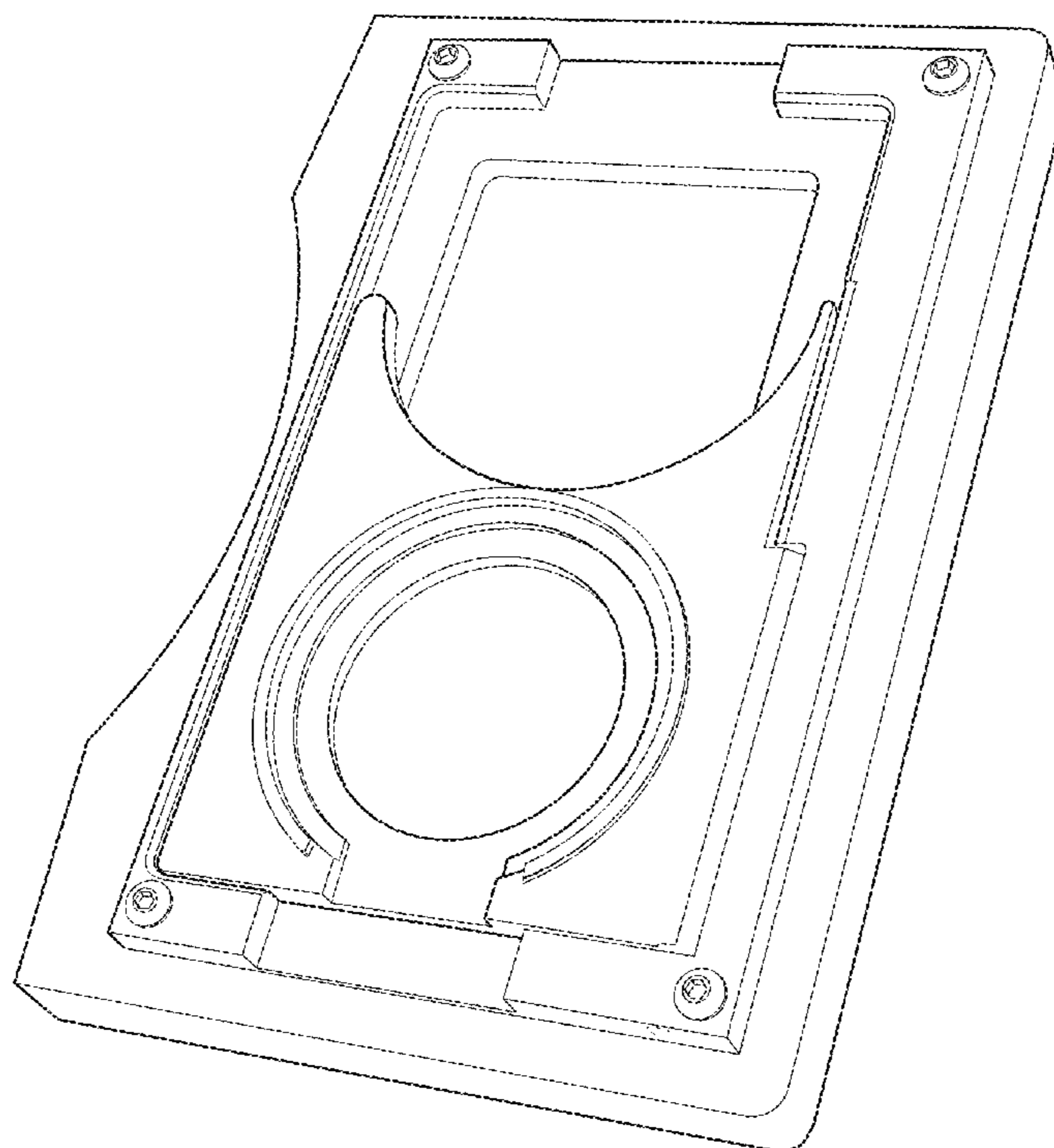
(56) **References Cited**

U.S. PATENT DOCUMENTS

D751,715 S * 3/2016 Bostley D24/161
D752,226 S * 3/2016 Bostley D24/161
D787,700 S * 5/2017 Dunaway D24/225
D818,591 S * 5/2018 Asai D24/158
D824,520 S * 7/2018 Smith D24/158
D840,049 S * 2/2019 Schulz D24/224

The broken lines in the drawings depict portions of the multi detector radiological source jig that form no part of the claimed design.

1 Claim, 3 Drawing Sheets



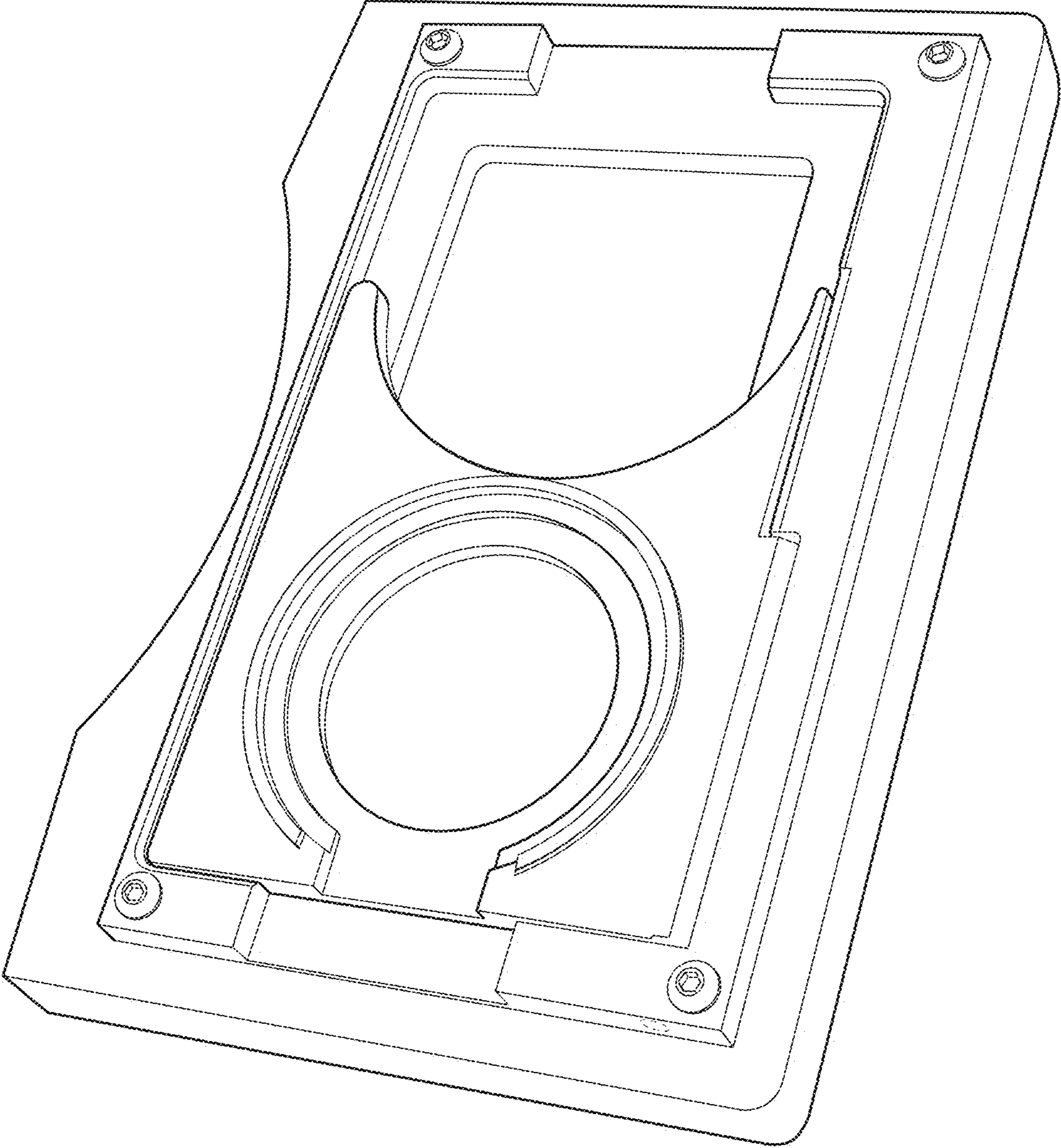


Fig. 1

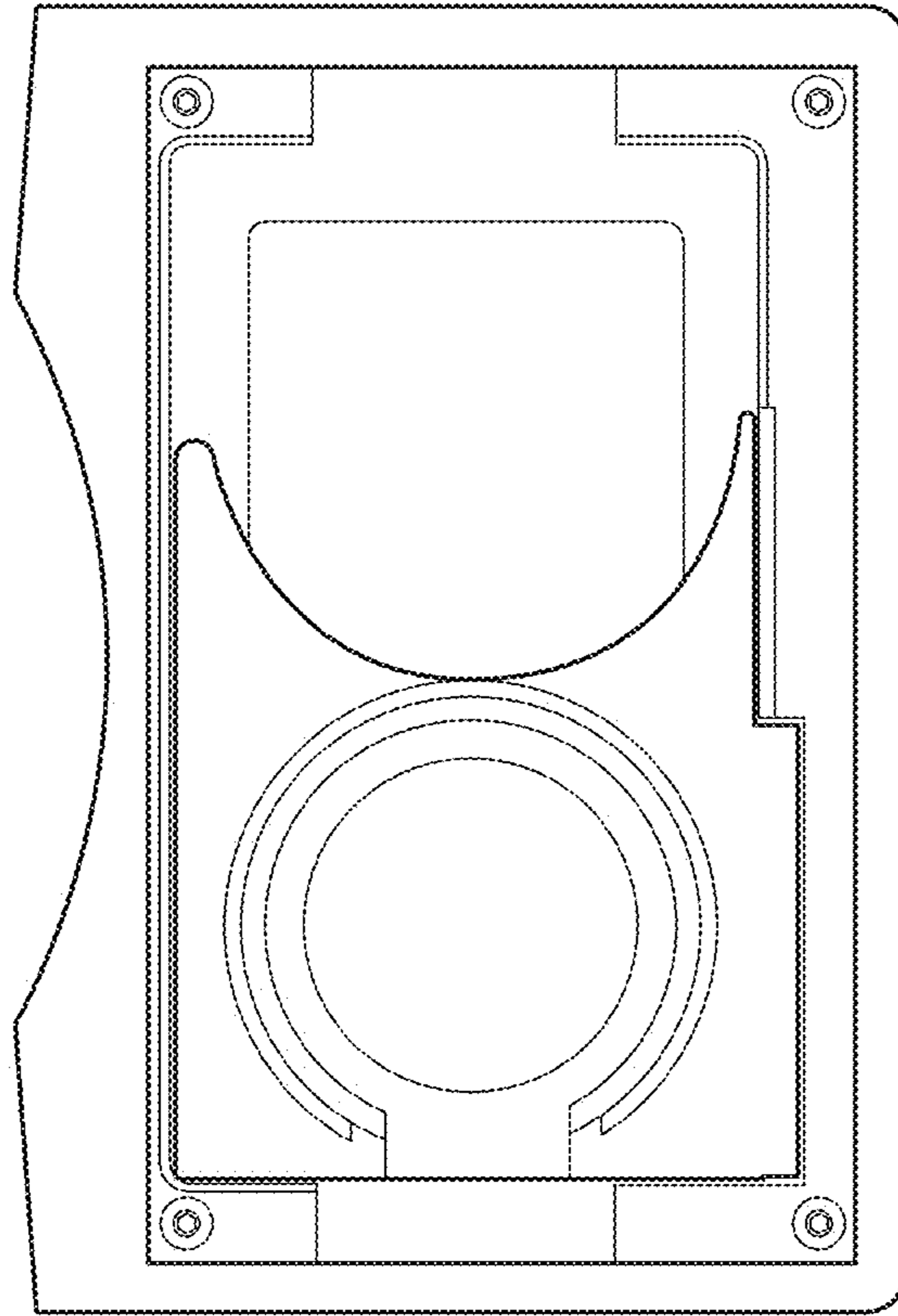


Fig. 2

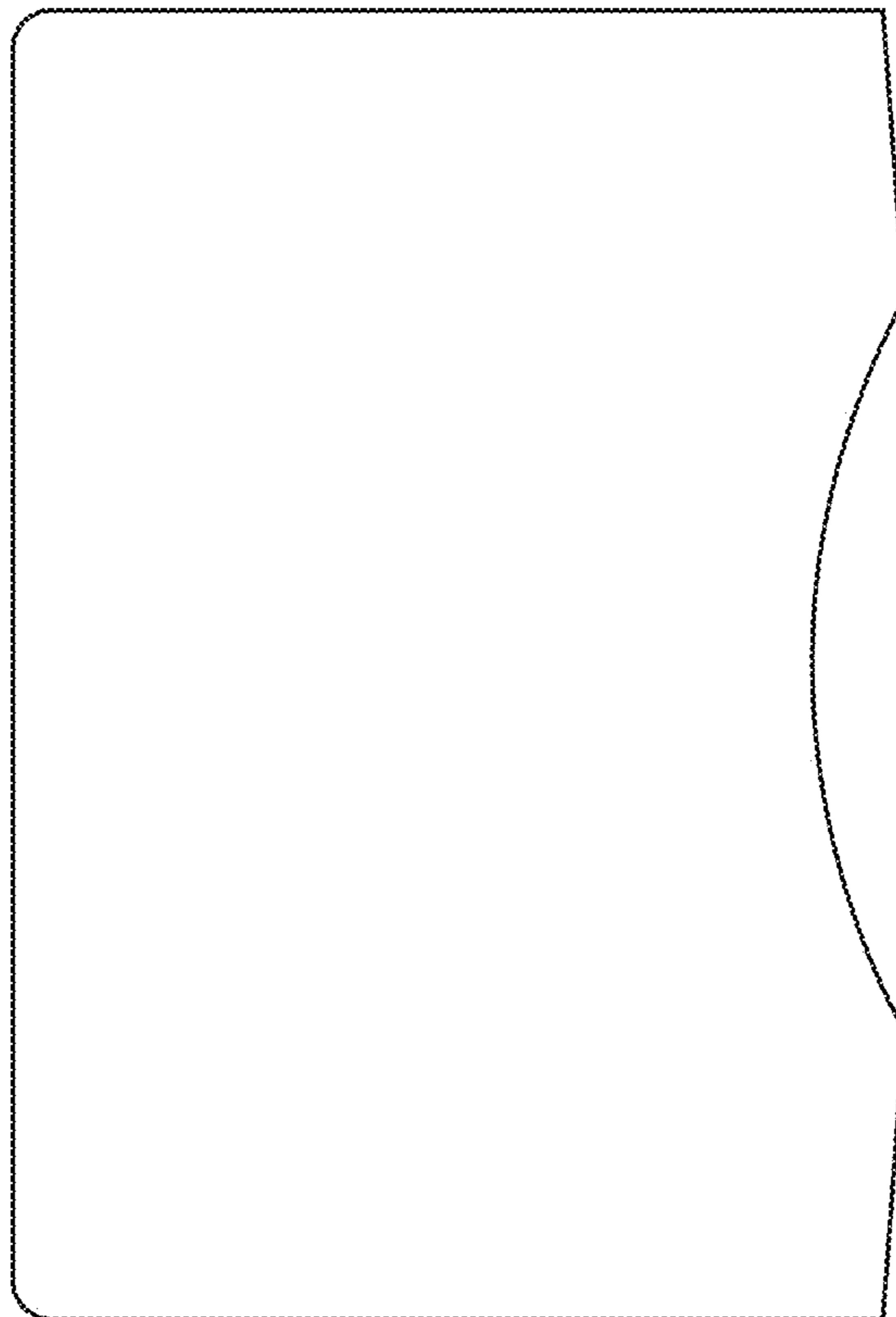


Fig. 3

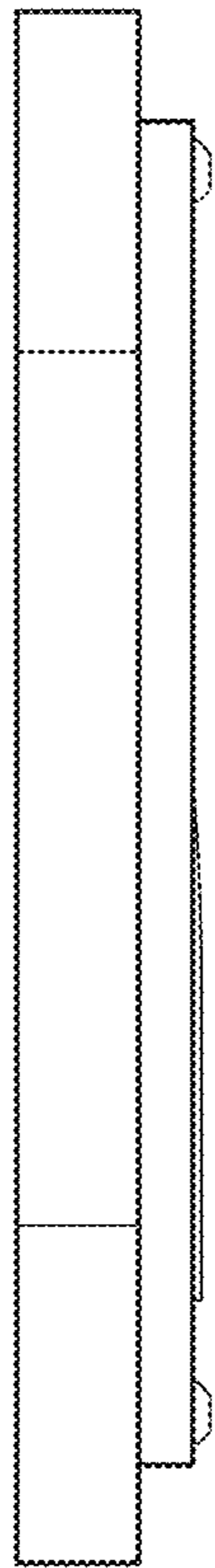


Fig. 4

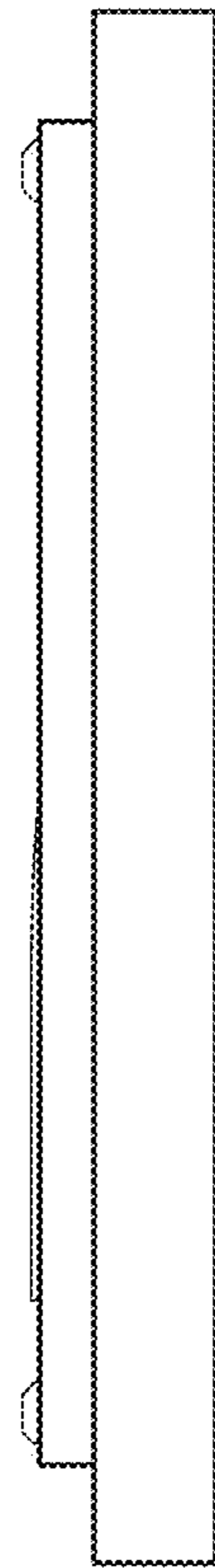


Fig. 5

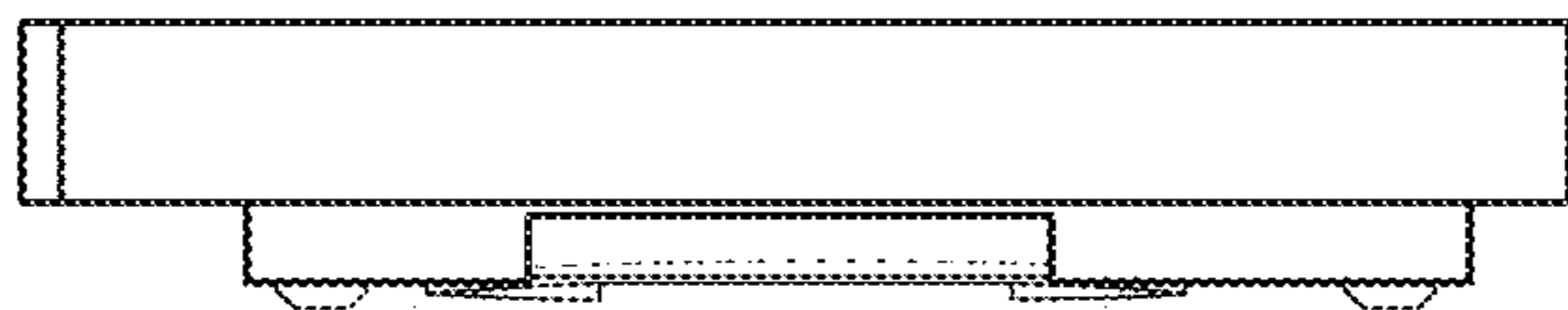


Fig. 6

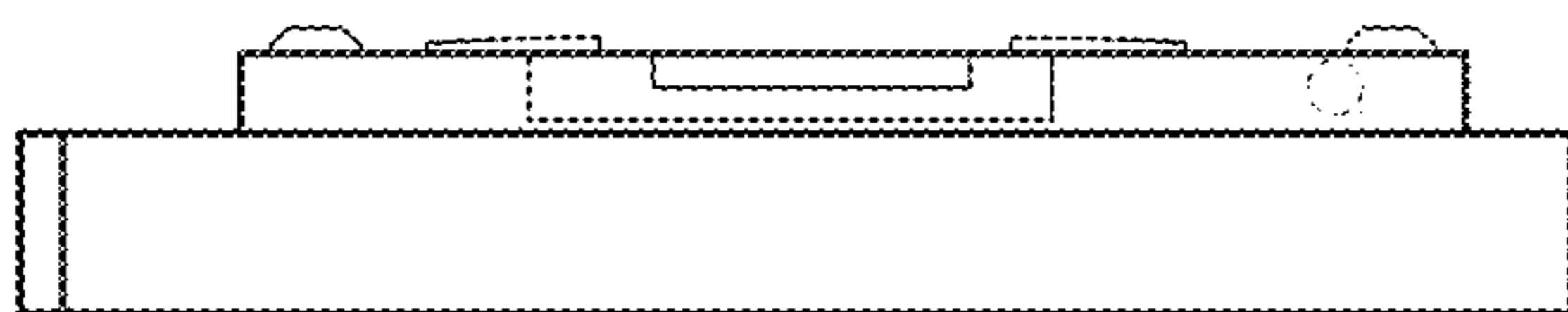


Fig. 7