



US00D950060S

(12) **United States Design Patent**  
**Dang et al.**

(10) **Patent No.:** **US D950,060 S**  
(45) **Date of Patent:** **\*\* Apr. 26, 2022**

(54) **POSTERIOR LUMBAR INTERBODY FUSION DEVICE**

(71) Applicant: **PrinterPrezz, Inc.**, Fremont, CA (US)  
(72) Inventors: **Alan Dang**, Fremont, CA (US); **Bridget Karkera**, Fremont, CA (US); **Eshaan Gandhi**, Fremont, CA (US); **Sunaina Santhiveeran**, Fremont, CA (US)

(73) Assignee: **PrinterPrezz, Inc.**, Fremont, CA (US)

(\*\*) Term: **15 Years**

(21) Appl. No.: **29/718,472**

(22) Filed: **Dec. 24, 2019**

(51) **LOC (13) Cl.** ..... **24-03**

(52) **U.S. Cl.**  
USPC ..... **D24/155**

(58) **Field of Classification Search**  
USPC ..... D2/896, 902, 905, 906, 907, 908, 919, D2/920, 921, 922, 923, 946, 947, 948, D2/949, 950, 951, 952, 953, 954, 960, D2/968, 980, 983; D8/349, 382, 387, 47, D8/388, 391, 392, 393, 394, 395, 396, D8/397, 398, 399, 721; D24/107, 133, D24/141, 143, 155, 171, 188, 190, 192, D24/213, 215  
CPC . A61B 17/151; A61B 17/154; A61B 17/8095; A61B 17/7058; A61B 17/58; A61F 2/00; A61F 2/0009; A61F 2/0022; A61F 2/0063; A61F 2/0077; A61F 2002/0081; A61F 2002/0086; A61F 2002/009; A61F 2002/0091; A61F 2/28; A61F 2/30; A61F 2002/30108; A61F

(Continued)

(56) **References Cited**

U.S. PATENT DOCUMENTS

D627,468 S \* 11/2010 Richter ..... D24/155  
D653,757 S \* 2/2012 Binder ..... A61F 2/446  
D24/155

(Continued)

OTHER PUBLICATIONS

3D Printing Media Network, "GE Additive and Stryker form additive manufacturing partnership for orthopedic implants", first available Jun. 14, 2017. (<https://www.3dprintingmedia.network/ge-additive-stryker-announce-additive-manufacturing-partnership-orthopedic-implants/>) (Year: 2017).\*

(Continued)

*Primary Examiner* — Lauren D McVey

*Assistant Examiner* — Justin A Johnson

(74) *Attorney, Agent, or Firm* — John Wood; Wood Patent Law

(57) **CLAIM**

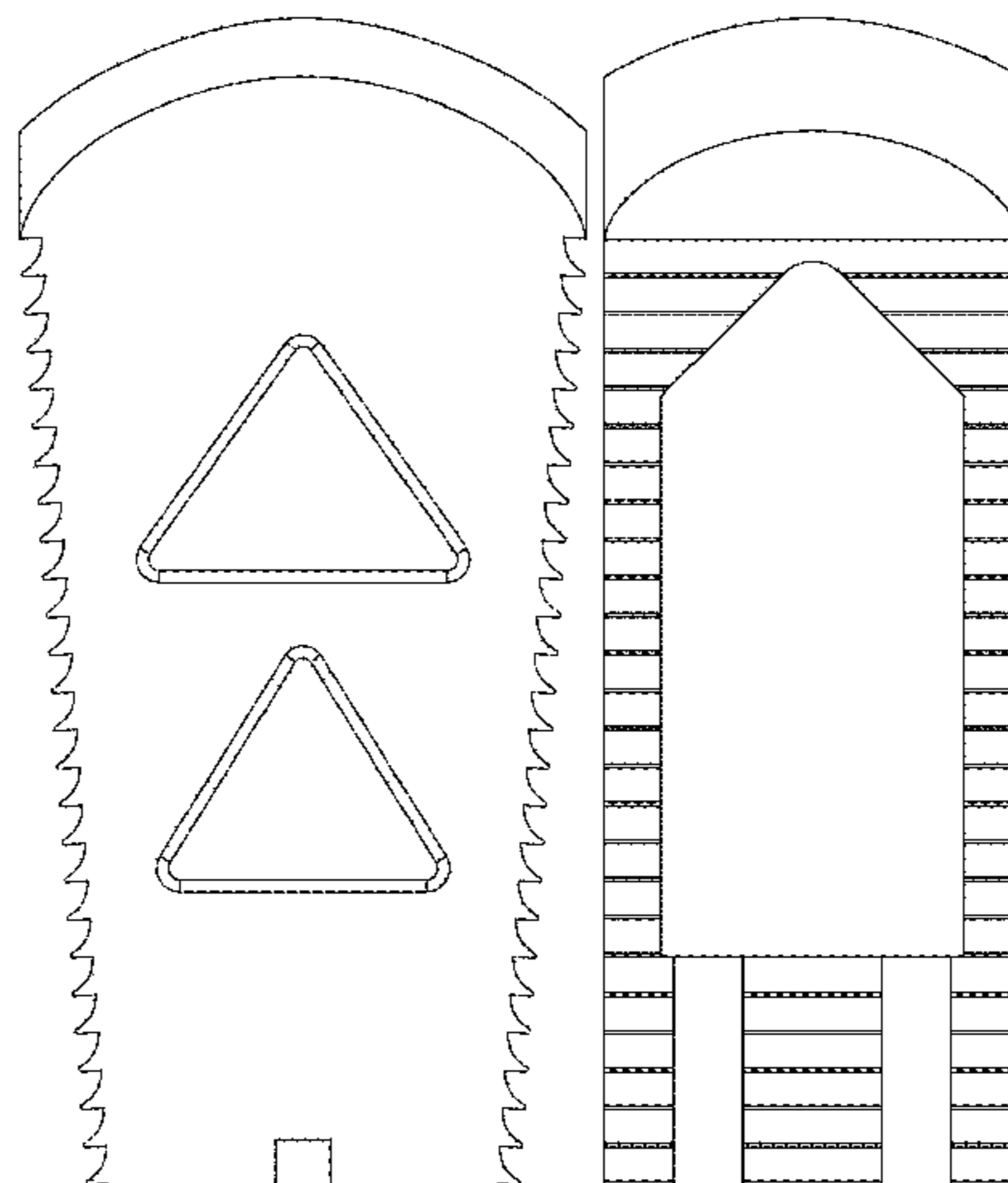
The ornamental design for a posterior lumbar interbody fusion device, as shown and described.

**DESCRIPTION**

FIG. 1 is a top front perspective view of a posterior lumbar interbody fusion device showing our new design;  
FIG. 2 is a left side view thereof and also represents a right side view;  
FIG. 3 is a front view thereof and also represents a rear view;  
FIG. 4 is a top view thereof;  
FIG. 5 is a bottom view thereof; and,  
FIG. 6 is an enlarged view of a serrated face portion of FIG. 5.

The dash-dash broken lines illustrate portions of the posterior lumbar interbody fusion device. The dot-dash broken lines illustrate the enlarged portion from which FIG. 6 is taken from. The dot-dot-dash broken lines illustrate the bounds of the claim. None of the broken lines form part of the claimed design.

**1 Claim, 5 Drawing Sheets**



**(58) Field of Classification Search**

CPC ..... 2002/30112; A61F 2002/30125; A61F 2002/30151; A61F 2002/30153; A61F 2002/30154; A61F 2002/30158; A61F 2002/30199; A61F 2002/30224; A61F 2002/30263; A61F 2002/30266; A61F 2002/30281; A61F 2/38; A61F 2/42; A61F 2/4225; A61F 2/44; A61F 2/4405; A61F 2/441; A61F 2002/4415; A61F 2/442; A61F 2/4425; A61F 2002/443; A61F 2/446; A61F 2/447; A61F 2/60; A61F 2002/6614; A61F 2002/6657; A61F 2002/665; A61F 2/78; A61L 27/00; A61L 2430/38; G06T 2207/30052

See application file for complete search history.

**(56) References Cited**

U.S. PATENT DOCUMENTS

D722,694 S *	2/2015	Kaufmann .....	A61F 2/446 D24/155
D724,213 S *	3/2015	Tyber .....	D24/155
D878,590 S *	3/2020	Linder .....	A61F 2/44 D24/155
D896,384 S *	9/2020	Kapitan .....	A61F 2/30771 D24/155

2011/0218629 A1 *	9/2011	Binder .....	A61F 2/44 623/17.16
2013/0018466 A1 *	1/2013	Yu .....	A61F 2/4455 623/17.16
2016/0022438 A1 *	1/2016	Lamborne .....	A61F 2/447 623/17.16
2016/0199193 A1 *	7/2016	Willis .....	A61F 2/3094 623/17.16
2016/0213488 A1 *	7/2016	Moore .....	A61F 2/30771
2017/0042696 A1 *	2/2017	Larsson .....	A61F 2/4455
2018/0221156 A1 *	8/2018	Jones .....	A61F 2/4465

OTHER PUBLICATIONS

Made-in-China, “Medical Spinal Peek Fusion Cage”, first accessed Feb. 9, 2020. (<https://aorth1.en.made-in-china.com/product/CjemNaOllrkc/China-Medical-Spinal-Peek-Fusion-Cage-for-Orthopedic-Surgical-Implant-Tlif-Plif-Lumbar-and-Cervical-Spine-Surgery.html>) (Year: 2020).\*

Captiva Spine, “Fuselox Lumbar Cage”, first available Aug. 12, 2020. (<https://web.archive.org/web/20200812230358/https://www.captivaspine.com/lumbar-cervical-spine-fusion-products/fuselox-lumbar-plif-cage/>) (Year: 2020).\*

Metal AM, “Osseus introduces additively manufactured titanium”, first available Feb. 8, 2020. (<https://www.metal-am.com/osseus-introduces-additively-manufactured-titanium-transforaminal-lumbar-interbody-fusion-device/>) (Year: 2020).\*

\* cited by examiner

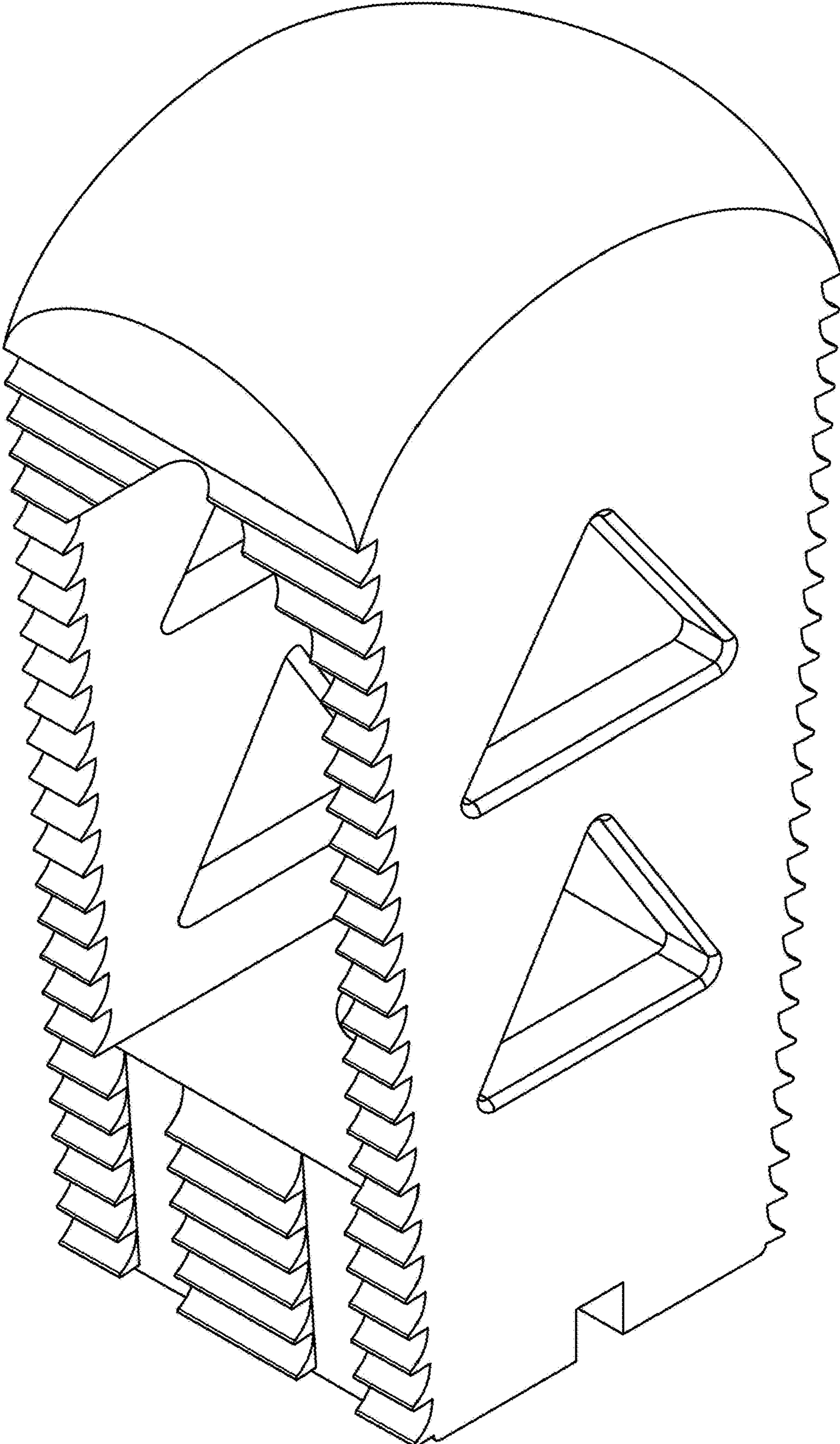


FIG. 1



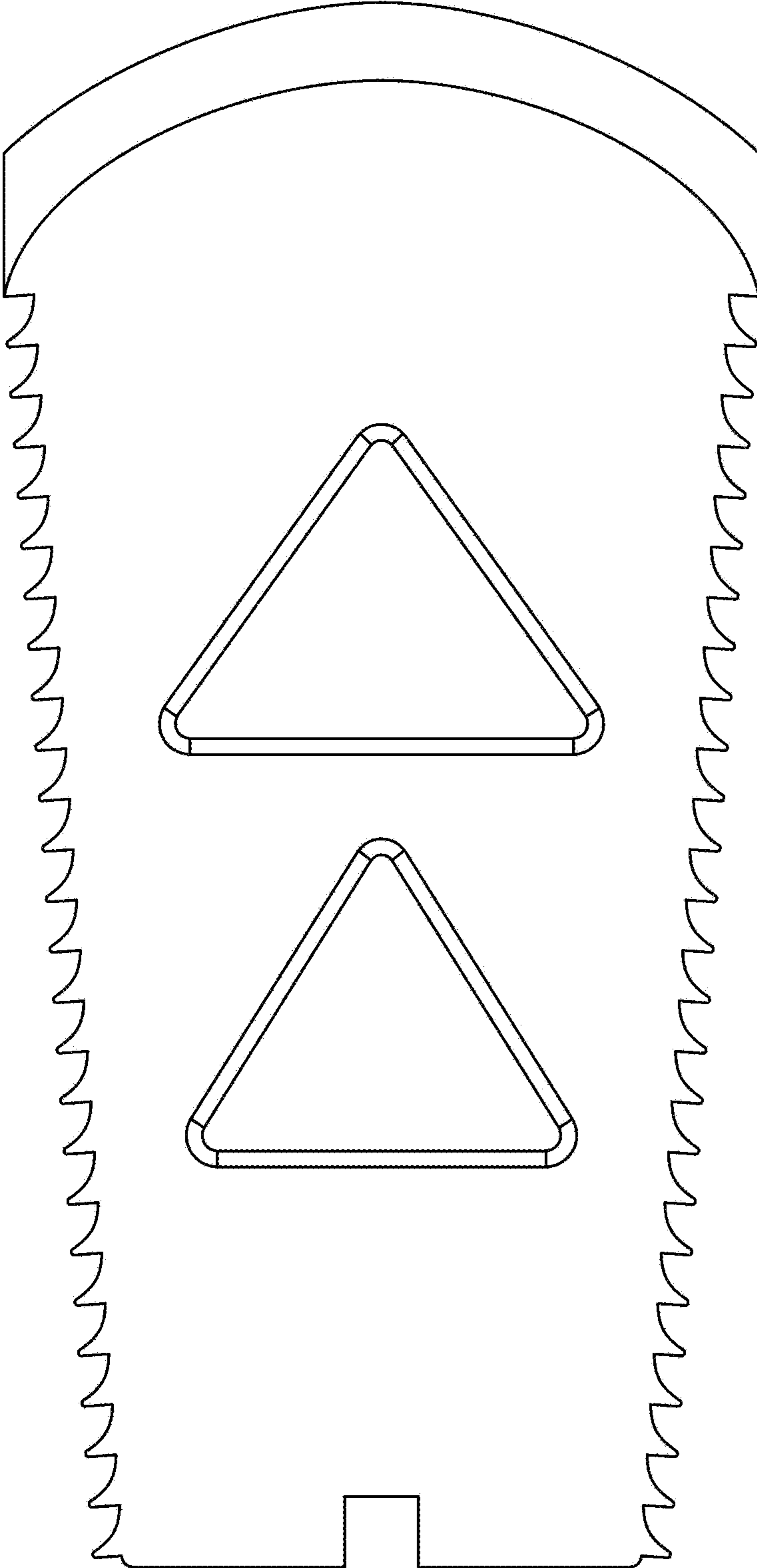
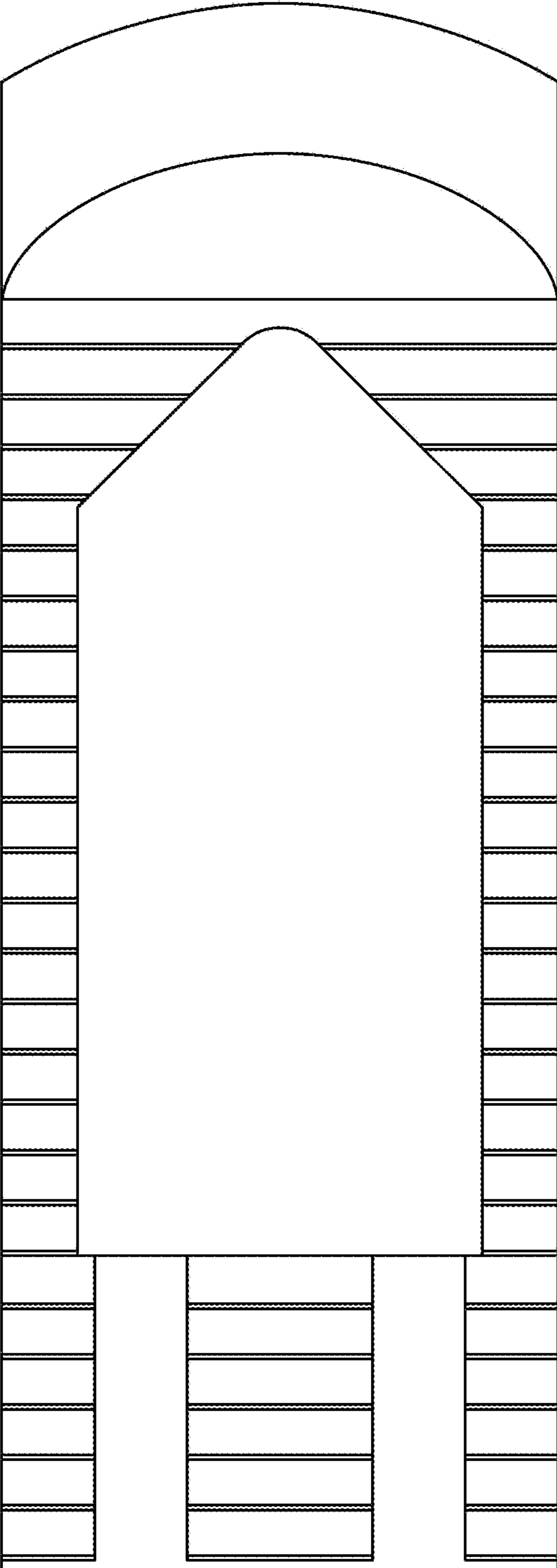
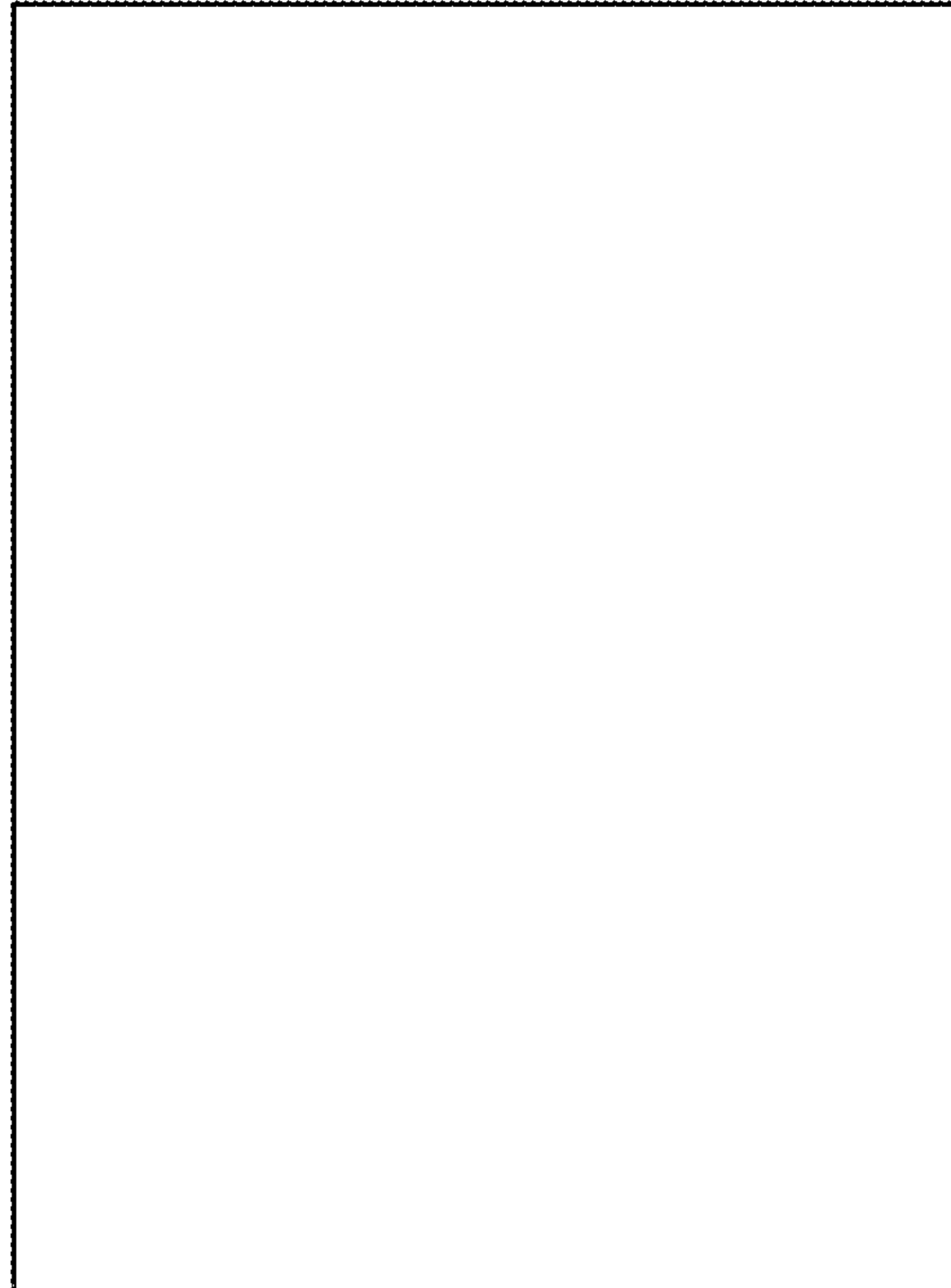


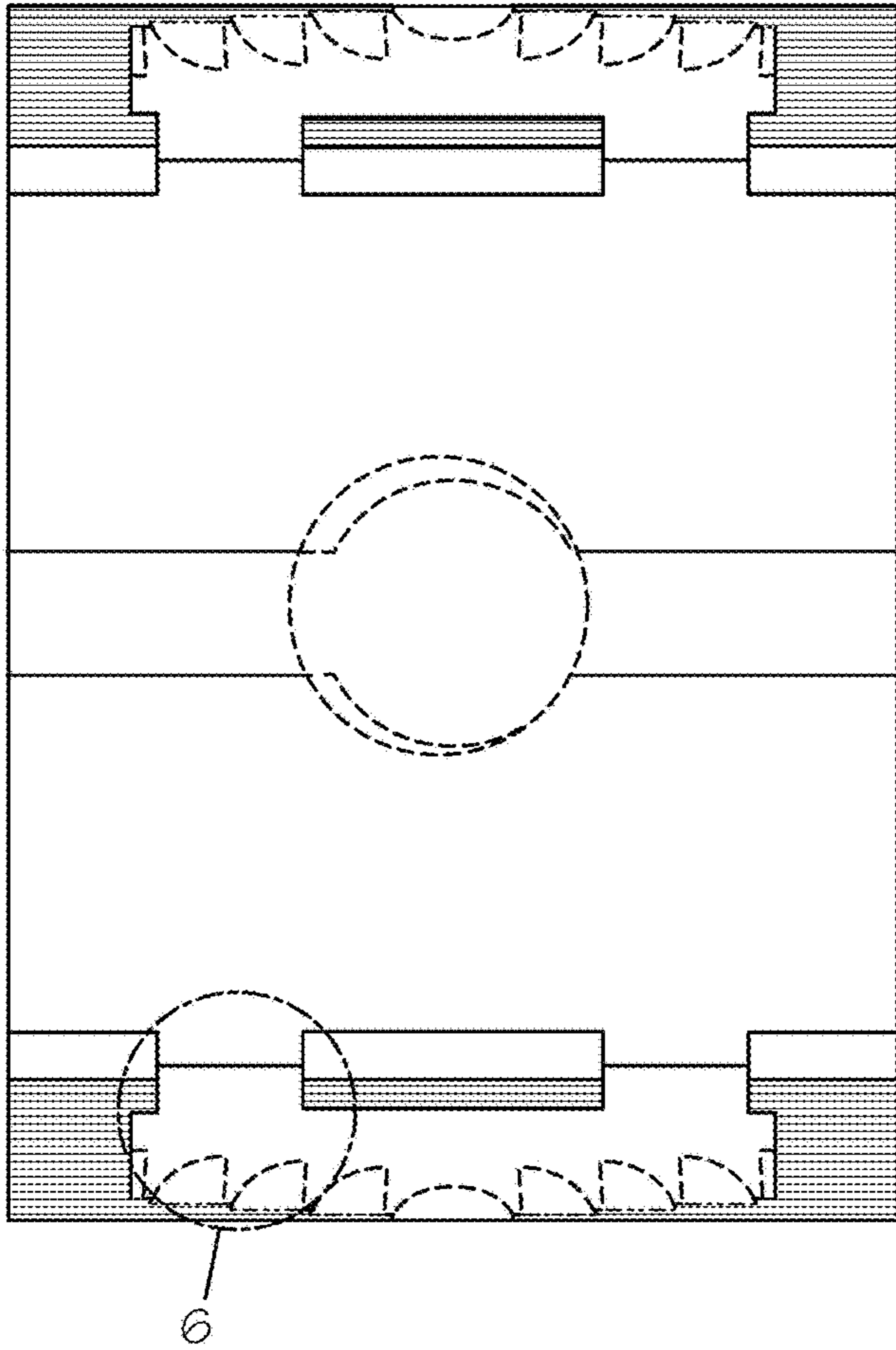
FIG. 2



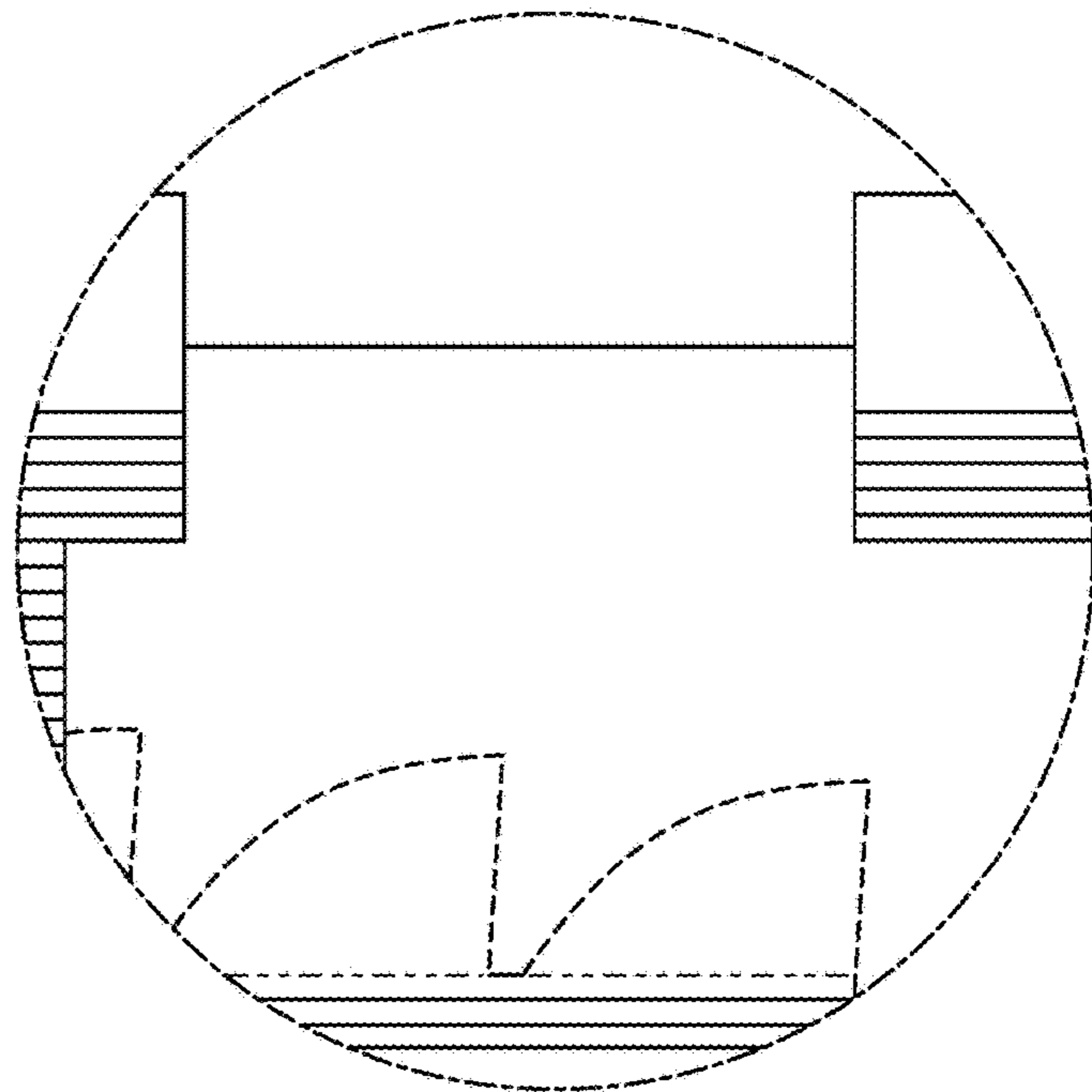
**FIG. 3**



**FIG. 4**



**FIG. 5**



**FIG. 6**