



US00D950058S

(12) **United States Design Patent**  
**Baril et al.**

(10) **Patent No.:** **US D950,058 S**  
(45) **Date of Patent:** **\*\* Apr. 26, 2022**

- (54) **COMMON COMPONENT FOR A JAW ASSEMBLY**
- (71) Applicant: **Covidien LP**, Mansfield, MA (US)
- (72) Inventors: **Jacob C. Baril**, Norwalk, CT (US);  
**Garrett P. Ebersole**, Hamden, CT (US)
- (73) Assignee: **Covidien LP**, Mansfield, MA (US)
- (\*\*) Term: **15 Years**
- (21) Appl. No.: **29/754,760**
- (22) Filed: **Oct. 14, 2020**
- (51) **LOC (13) Cl.** ..... **24-02**
- (52) **U.S. Cl.**  
USPC ..... **D24/148**
- (58) **Field of Classification Search**  
USPC .... D24/148, 133, 143, 146, 147; D8/52, 57,  
D8/58  
CPC .... A61B 17/28; A61B 17/122; A61B 17/282;  
A61B 17/295; A61B 17/1285; A61B  
17/2841; A61B 2017/29; A61B  
2017/2808; A61B 2017/2825; A61B  
2017/2905; A61B 2017/2926; A61B  
18/1442; A61B 18/1445; A61B  
2018/1455  
See application file for complete search history.

- D794,191 S \* 8/2017 Lautemann ..... D24/143
- 9,737,320 B2 8/2017 Stopek et al.
- D804,026 S \* 11/2017 Linnenschmidt ..... D24/143
- 10,639,025 B2 5/2020 Raybin et al.
- D912,250 S \* 3/2021 Merz ..... A61B 17/29  
D24/143

(Continued)

**FOREIGN PATENT DOCUMENTS**

WO 2014018344 A1 1/2014

*Primary Examiner* — Calvin E Vansant

(74) *Attorney, Agent, or Firm* — Carter, DeLuca & Farrell  
LLP

(57) **CLAIM**

The ornamental design for a common component for a jaw  
assembly, substantially as shown and described.

**DESCRIPTION**

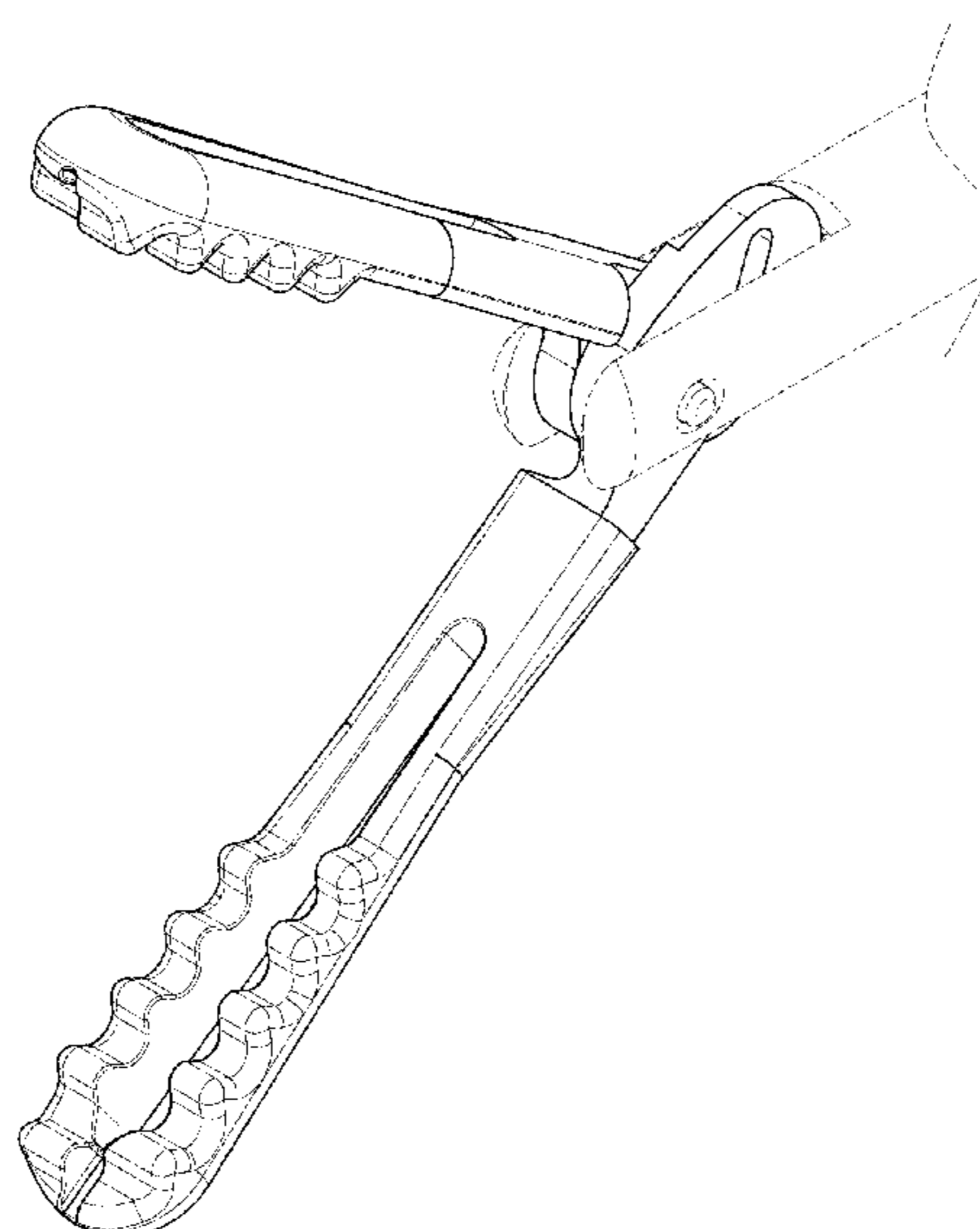
FIG. 1 is a perspective view of a jaw assembly including  
common jaws in accordance with the disclosure, illustrating  
the jaw assembly coupled to an elongate portion of a surgical  
instrument (shown in broken lines);  
FIG. 2 is a left, side view of the jaw assembly of FIG. 1;  
FIG. 3 is a front end view of the jaw assembly of FIG. 1;  
FIG. 4 is a bottom view of the jaw assembly of FIG. 1;  
FIG. 5 is a rear end view of the jaw assembly of FIG. 1;  
FIG. 6 is a right, side view of the jaw assembly of FIG. 1;  
FIG. 7 is a top view of the jaw assembly of FIG. 1;  
FIG. 8 is a left, side view of the jaw assembly of FIG. 1 in  
a closed configuration;  
FIG. 9 is a right, side view of the jaw assembly of FIG. 1 in  
the closed configuration; and,  
FIG. 10 is a front end view of the jaw assembly of FIG. 1  
in the closed configuration.  
The broken lines provided in the drawings depict portions of  
the common component for a jaw assembly and form no part  
of the claimed design.

**1 Claim, 5 Drawing Sheets**

(56) **References Cited**

**U.S. PATENT DOCUMENTS**

- 5,304,203 A \* 4/1994 El-Mallawany ..... A61B 17/29  
600/564
- 5,466,243 A 11/1995 Schmieding et al.
- 5,797,939 A 8/1998 Yoon
- 6,632,182 B1 10/2003 Treat
- 8,986,326 B2 3/2015 Satake et al.
- D758,581 S \* 6/2016 Michelini ..... D24/143
- 9,492,163 B2 11/2016 Bagoisan et al.
- D779,668 S \* 2/2017 Michelini ..... D24/143
- D788,919 S \* 6/2017 Lautemann ..... D24/143



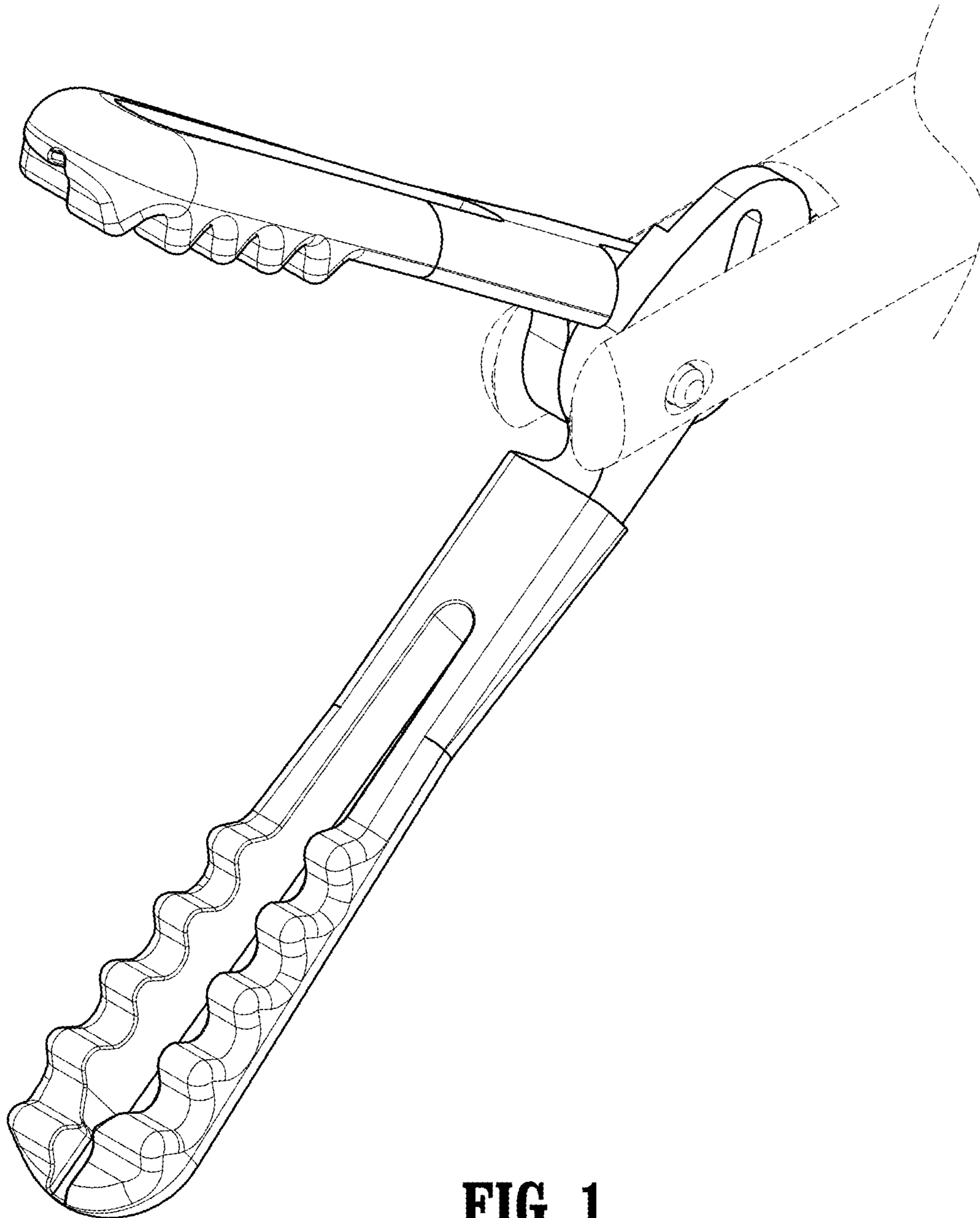
(56)

**References Cited**

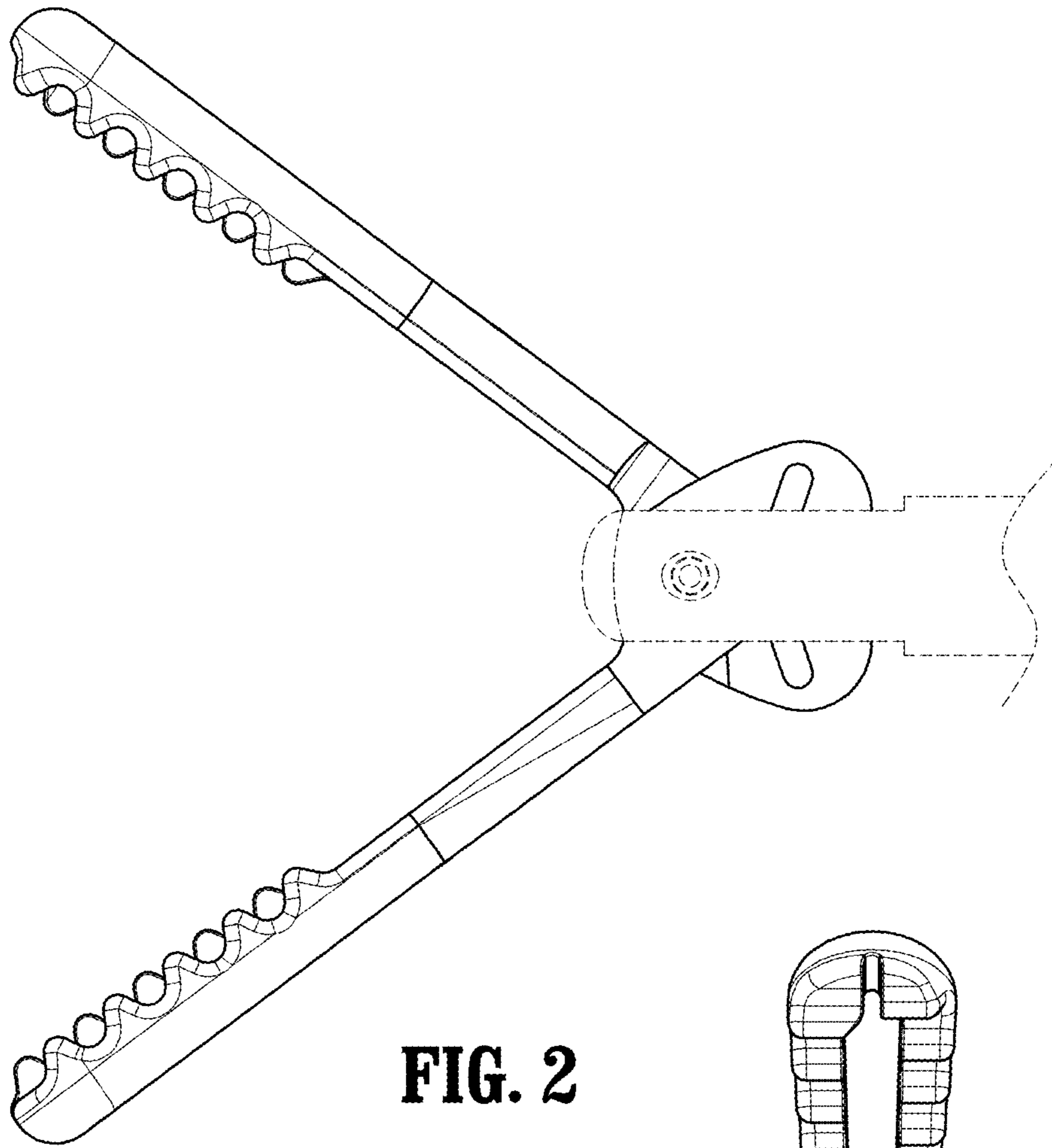
U.S. PATENT DOCUMENTS

D912,814 S \* 3/2021 Merz ..... D24/143  
D912,816 S \* 3/2021 Merz ..... A61B 17/29  
D24/143  
2001/0021861 A1\* 9/2001 Boebel ..... A61B 17/29  
606/207  
2011/0060188 A1 3/2011 Sharon et al.  
2018/0168670 A1\* 6/2018 Doppelstein ..... A61B 17/29  
2020/0353632 A1\* 11/2020 Steinthorsson ..... A61B 34/76

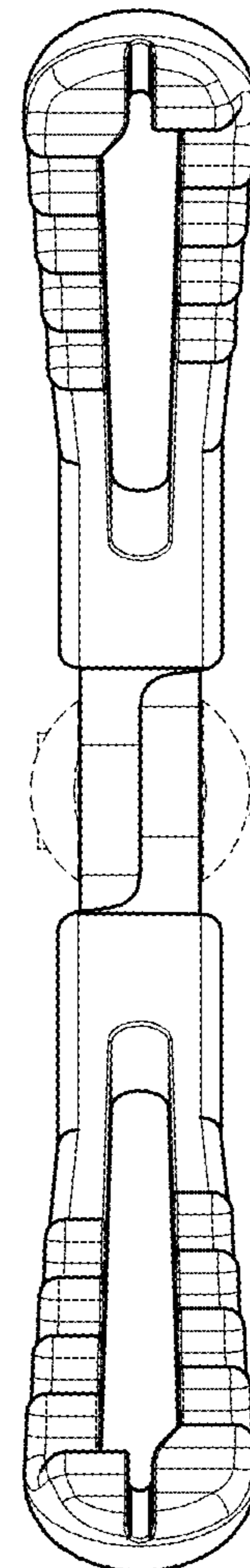
\* cited by examiner



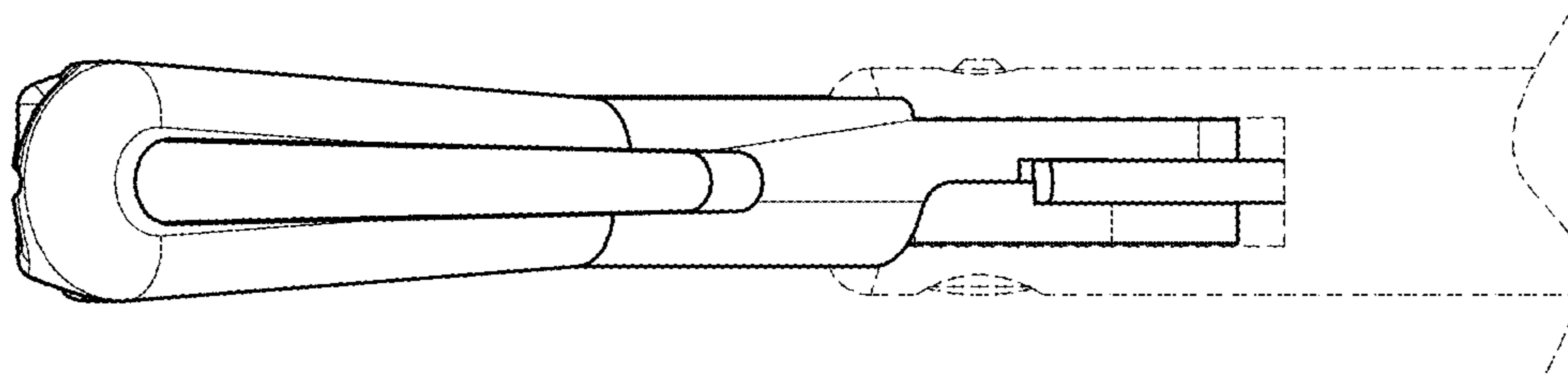
**FIG. 1**



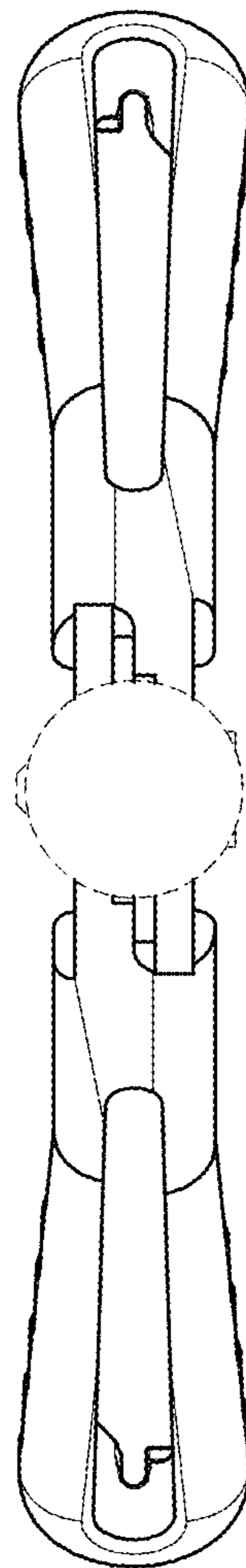
**FIG. 2**



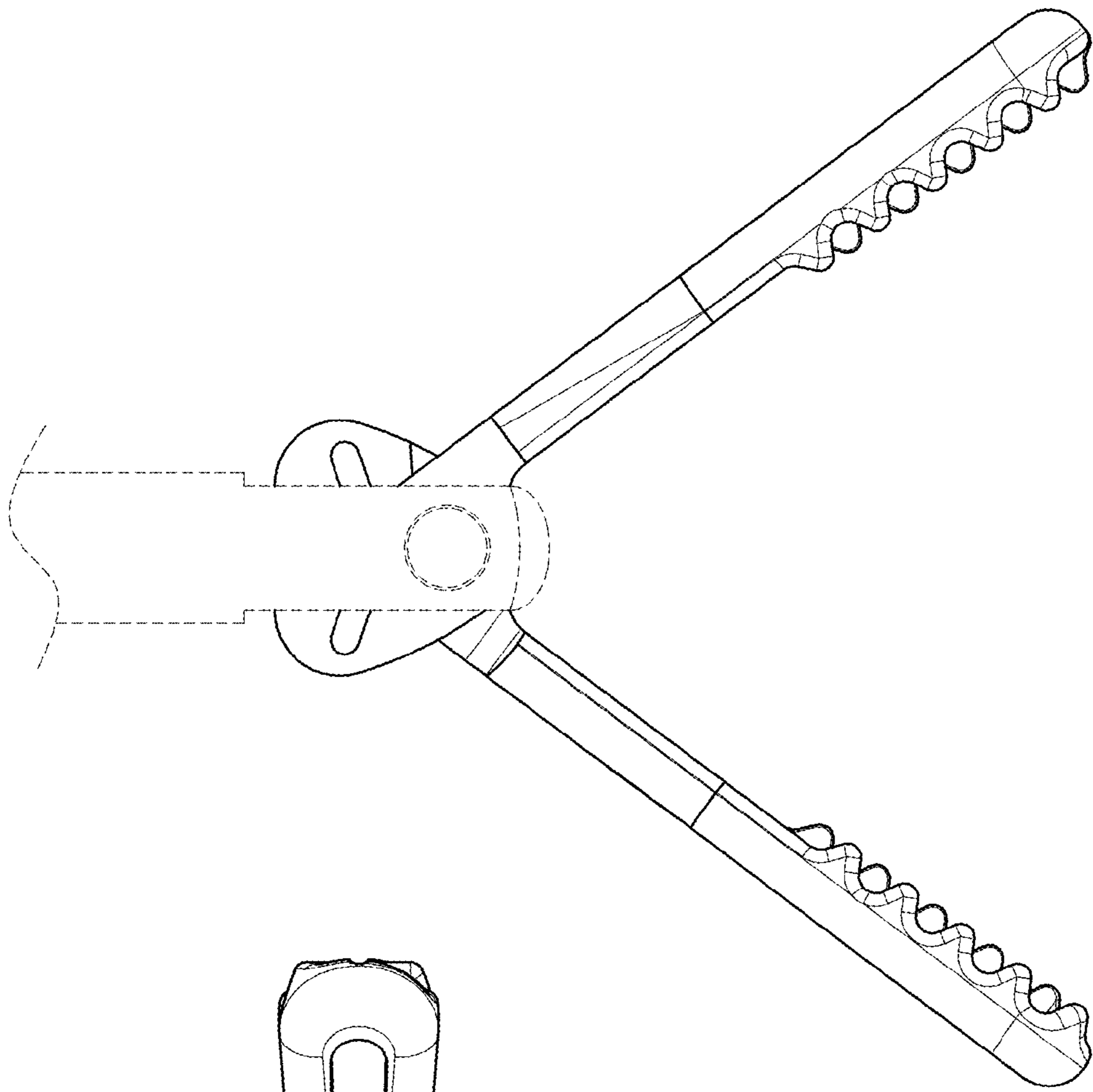
**FIG. 3**



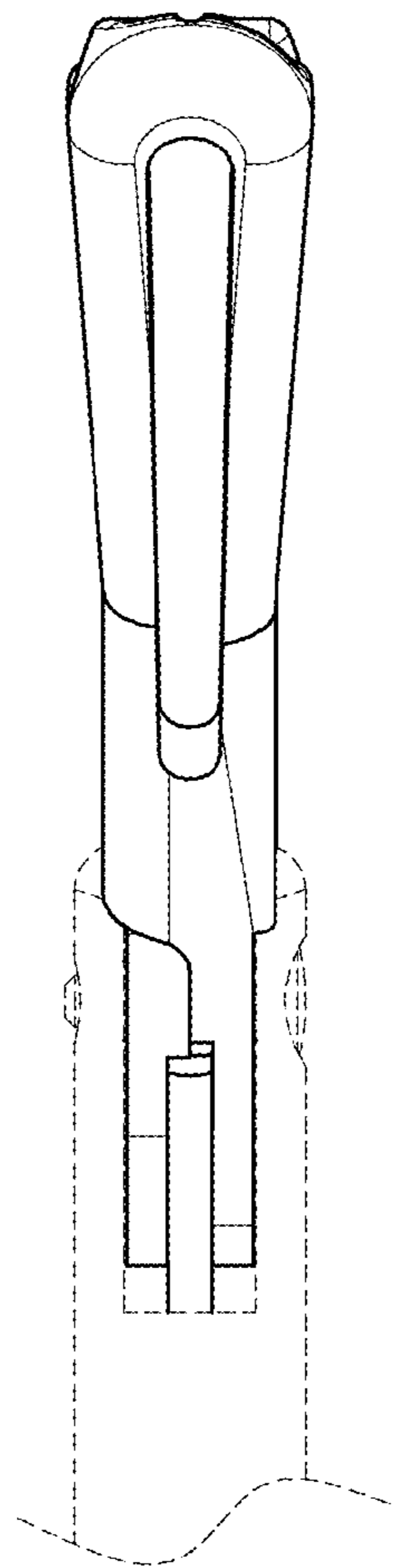
**FIG. 4**



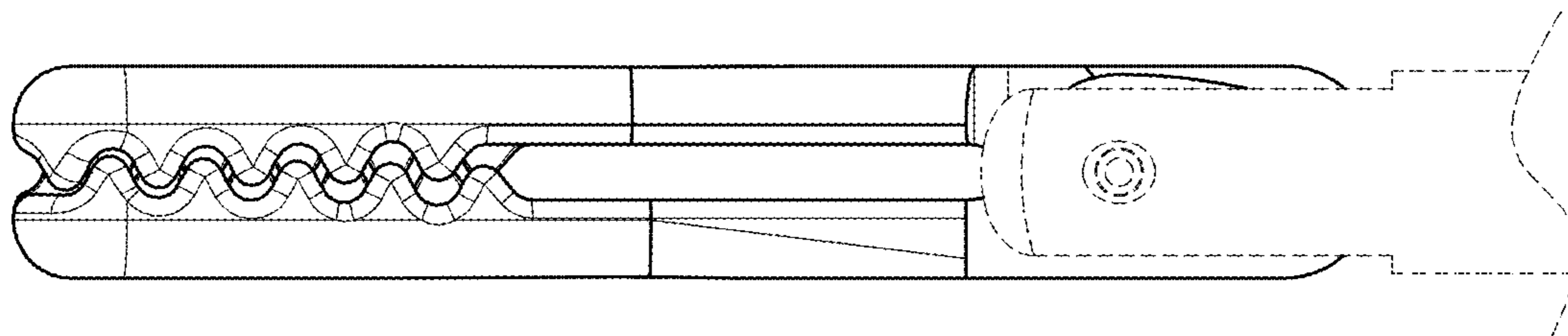
**FIG. 5**



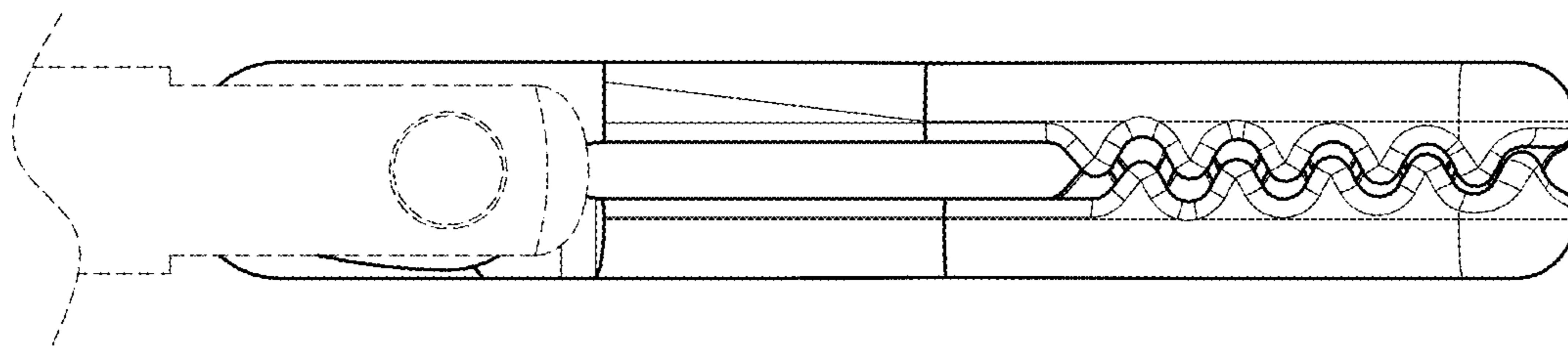
**FIG. 6**



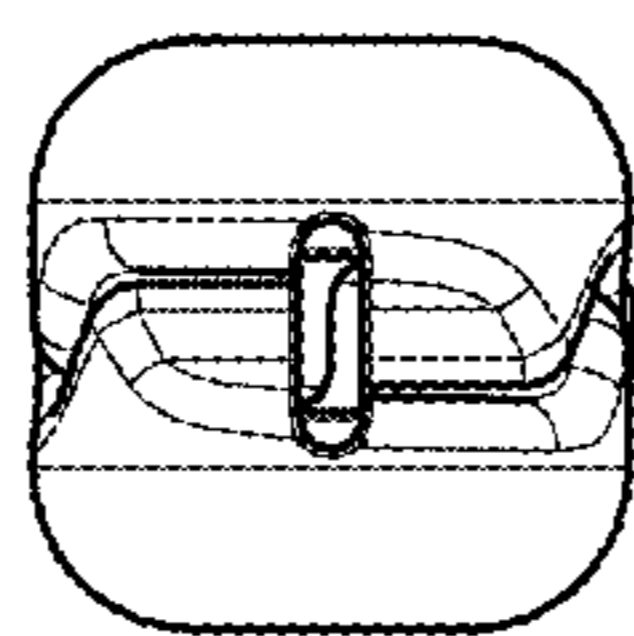
**FIG. 7**



**FIG. 8**



**FIG. 9**



**FIG. 10**