



US00D950055S

(12) **United States Design Patent**  
**Van Wyk**

(10) **Patent No.:** **US D950,055 S**  
(45) **Date of Patent:** **\*\* Apr. 26, 2022**

(54) **SURGICAL JAWS**

**DESCRIPTION**

- (71) Applicant: **Robert A. Van Wyk**, St. Pete Beach, FL (US)
- (72) Inventor: **Robert A. Van Wyk**, St. Pete Beach, FL (US)
- (\*\*) Term: **15 Years**
- (21) Appl. No.: **29/709,833**
- (22) Filed: **Oct. 17, 2019**
- (51) **LOC (13) Cl.** ..... **24-02**
- (52) **U.S. Cl.**  
USPC ..... **D24/148**
- (58) **Field of Classification Search**  
USPC .... D24/148, 133, 143, 146, 147; D8/52, 57, D8/58

FIGS. 1 and 3 present top perspective views of the ornamental surgical jaws of the present invention. FIG. 1 depicts the surgical jaws in a closed configuration whereas FIG. 3 depicts the same surgical jaws in an open configuration. FIGS. 2 and 4 present bottom perspective views of the ornamental surgical jaws depicted in FIGS. 1 and 3, respectively. FIG. 2 depicts the surgical jaws in a closed configuration whereas FIG. 4 depicts the same surgical jaws in an open configuration. FIGS. 5 and 7 present left side elevational views of the ornamental surgical jaws depicted in FIGS. 1 and 3, respectively. FIG. 5 depicts the surgical jaws in a closed configuration whereas FIG. 7 depicts the same surgical jaws in an open configuration. FIGS. 6 and 8 present right side elevational views of the ornamental surgical jaws depicted in FIGS. 1 and 3, respectively. FIG. 6 depicts the surgical jaws in a closed configuration whereas FIG. 8 depicts the same surgical jaws in an open configuration. FIG. 9 presents a top down plan view of the ornamental surgical jaws depicted in FIG. 1. FIG. 10 presents a bottom up plan view of the ornamental surgical jaws depicted in FIG. 1. FIG. 11 presents a front elevational view of the ornamental surgical jaws depicted in FIG. 1. FIG. 12 presents a rear elevational view of the ornamental surgical jaws depicted in FIG. 1. FIGS. 13 and 15 present close-up, top perspective views of the ornamental surgical jaws depicted in FIGS. 1 and 3, respectively. FIG. 13 depicts the surgical jaws in a closed configuration whereas FIG. 15 depicts the same surgical jaws in an open configuration. FIGS. 14 and 16 present bottom perspective views of the ornamental surgical jaws depicted in FIGS. 13 and 15, respectively. FIG. 14 depicts the surgical jaws in a closed configuration whereas FIG. 16 depicts the same surgical jaws in an open configuration. FIGS. 17 and 19 present left side elevational views of the ornamental surgical jaws depicted in FIGS. 13 and 15, respectively. FIG. 17 depicts the surgical jaws in a closed configuration whereas FIG. 19 depicts the same surgical jaws in an open configuration.

(Continued)

(56) **References Cited**

**U.S. PATENT DOCUMENTS**

- 5,323,502 A \* 6/1994 Miller ..... H02G 1/1214  
30/90.6
- D630,324 S \* 1/2011 Reschke ..... D24/143

(Continued)

**OTHER PUBLICATIONS**

Amblersurgical.com, Marmar In-Line mini vasectomy tenaculum clamp, undated online product page, retrieved Jun. 1, 2021 from <URL:https://amblersurgical.com/18-812-marmar-in-line-mini-vasectomy-tenaculum-clamp-4-1-8-ring-handle> (Year: 2021).\*

(Continued)

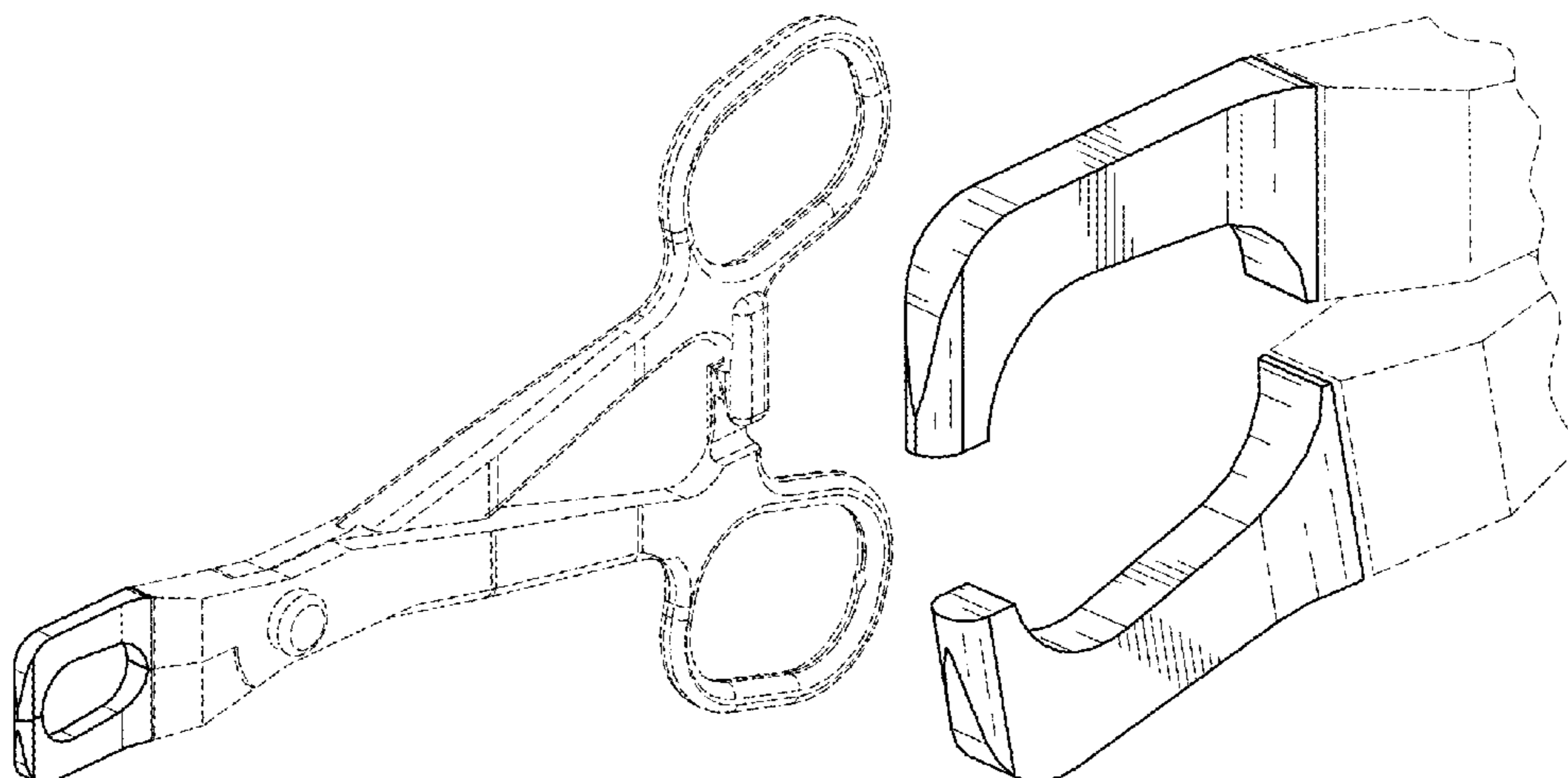
*Primary Examiner* — Calvin E Vansant

(74) *Attorney, Agent, or Firm* — Smith Patent, LLC;  
Chalin A. Smith

(57) **CLAIM**

I claim the ornamental design for the surgical jaws, as shown and described.

(Continued)



FIGS. 18 and 20 present right side elevational views of the ornamental surgical jaws depicted in FIGS. 13 and 15, respectively. FIG. 18 depicts the surgical jaws in a closed configuration whereas FIG. 20 depicts the same surgical jaws in an open configuration.

FIG. 21 presents a top down plan view of the ornamental surgical jaws depicted in FIG. 13 (closed configuration).

FIG. 22 presents a bottom up down plan view of the ornamental surgical jaws depicted in FIG. 13 (closed configuration); and,

FIG. 23 presents a front elevational view of the ornamental surgical jaws depicted in FIG. 13 (closed configuration).

The broken lines shown in FIGS. 1 to 23 depict portions of the surgical jaws that form no part of the claim.

**1 Claim, 10 Drawing Sheets**

(58) **Field of Classification Search**

CPC ..... A61B 17/28; A61B 17/122; A61B 17/282;  
A61B 17/295; A61B 17/1285; A61B  
17/2841; A61B 2017/29; A61B  
2017/2808; A61B 2017/2825; A61B  
2017/2905; A61B 2017/2926; A61B  
18/1442; A61B 18/1445

See application file for complete search history.

(56)

**References Cited**

U.S. PATENT DOCUMENTS

D634,427	S *	3/2011	Nishimura	.....	D24/148
D657,871	S *	4/2012	Hesseling	.....	D24/143
D661,395	S *	6/2012	Titolo	.....	D24/143
D667,116	S *	9/2012	Moorman	.....	D24/133
D667,551	S *	9/2012	Moorman	.....	D24/133
8,961,558	B2 *	2/2015	Hiraoka	.....	A61B 1/00137 600/104
D758,581	S *	6/2016	Michelini	.....	D24/143
D766,689	S *	9/2016	Ritter	.....	A61B 8/0858 D8/52
D811,841	S *	3/2018	Calfee	.....	D8/52
D886,297	S *	6/2020	Van Wyk	.....	H02G 1/1214 D24/143
2015/0238355	A1 *	8/2015	Vezzu	.....	A61B 17/30 606/207
2019/0038262	A1 *	2/2019	Doyle	.....	A61B 8/0858
2019/0357928	A1 *	11/2019	Hassan	.....	A61F 9/007

OTHER PUBLICATIONS

Cmecorp.com, Miltex 29-805 No Scalpel Vasectomy Ring Clamp, undated online product page, retrieved Jun. 1, 2021 from <URL:https://www.cmecorp.com/miltex-29-805-no-scalpel-vasectomy-ring-clamp-3-5mm-id-5.html> (Year: 2021).\*

\* cited by examiner

FIG. 1

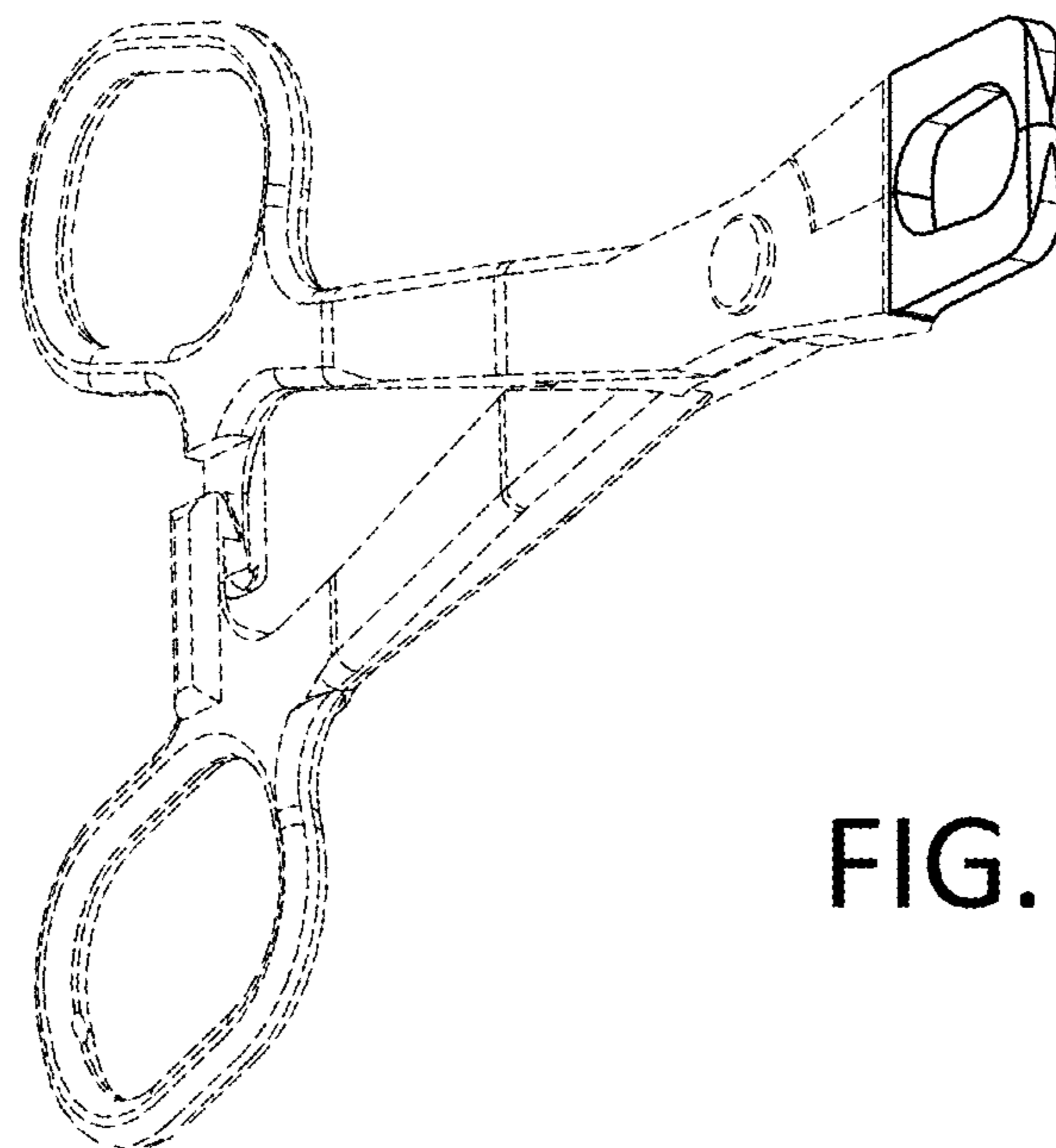
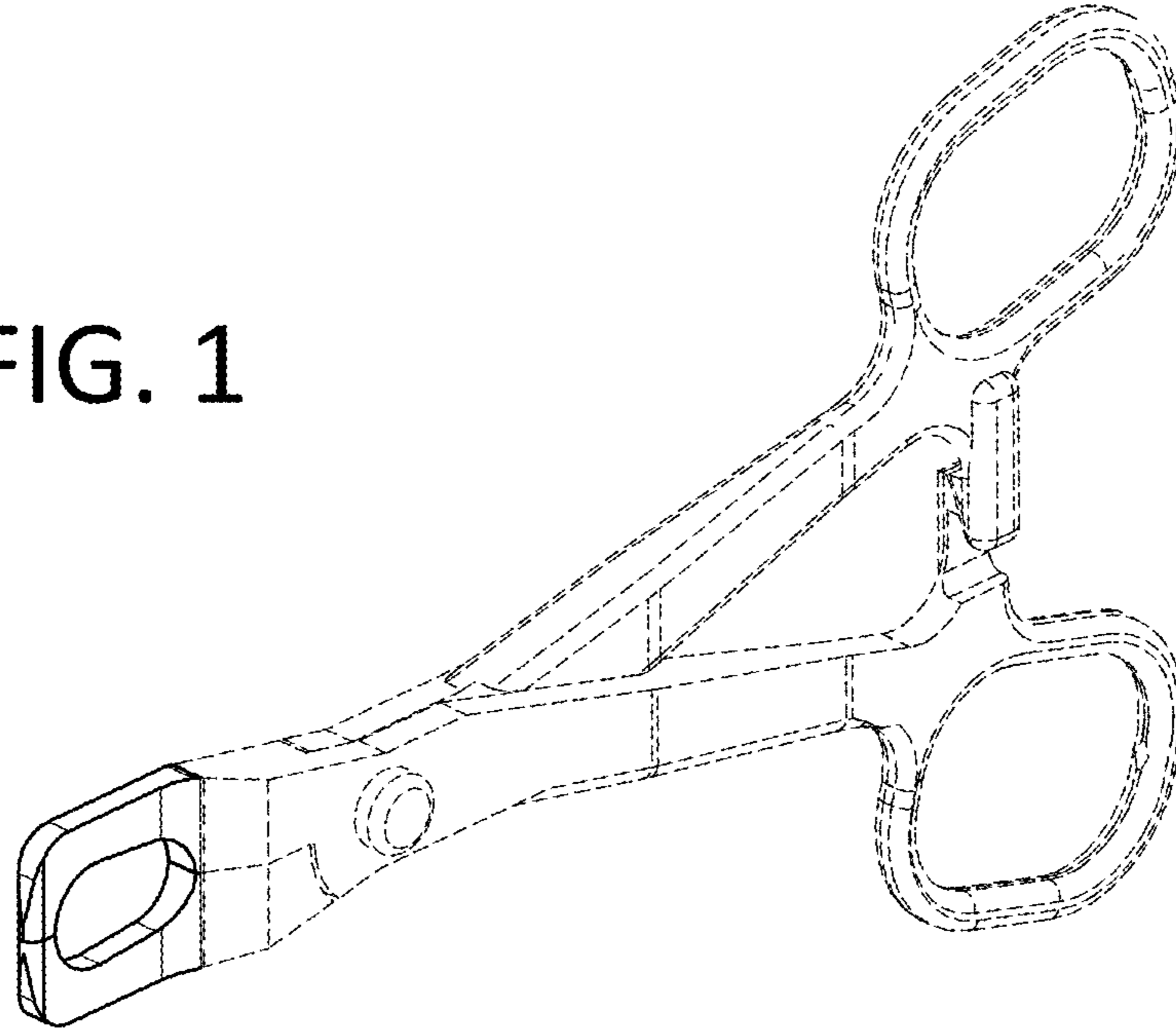


FIG. 2

FIG. 3

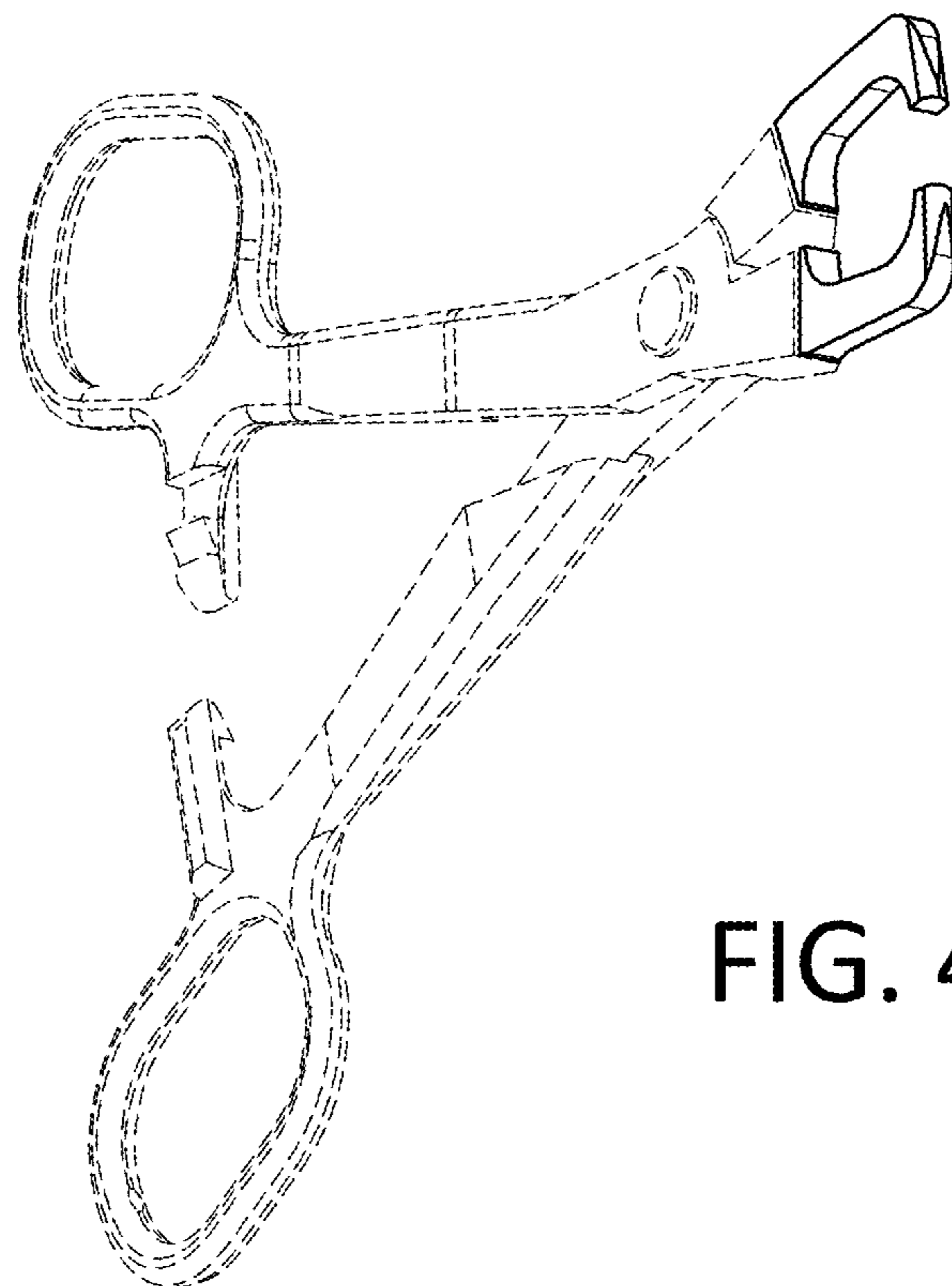
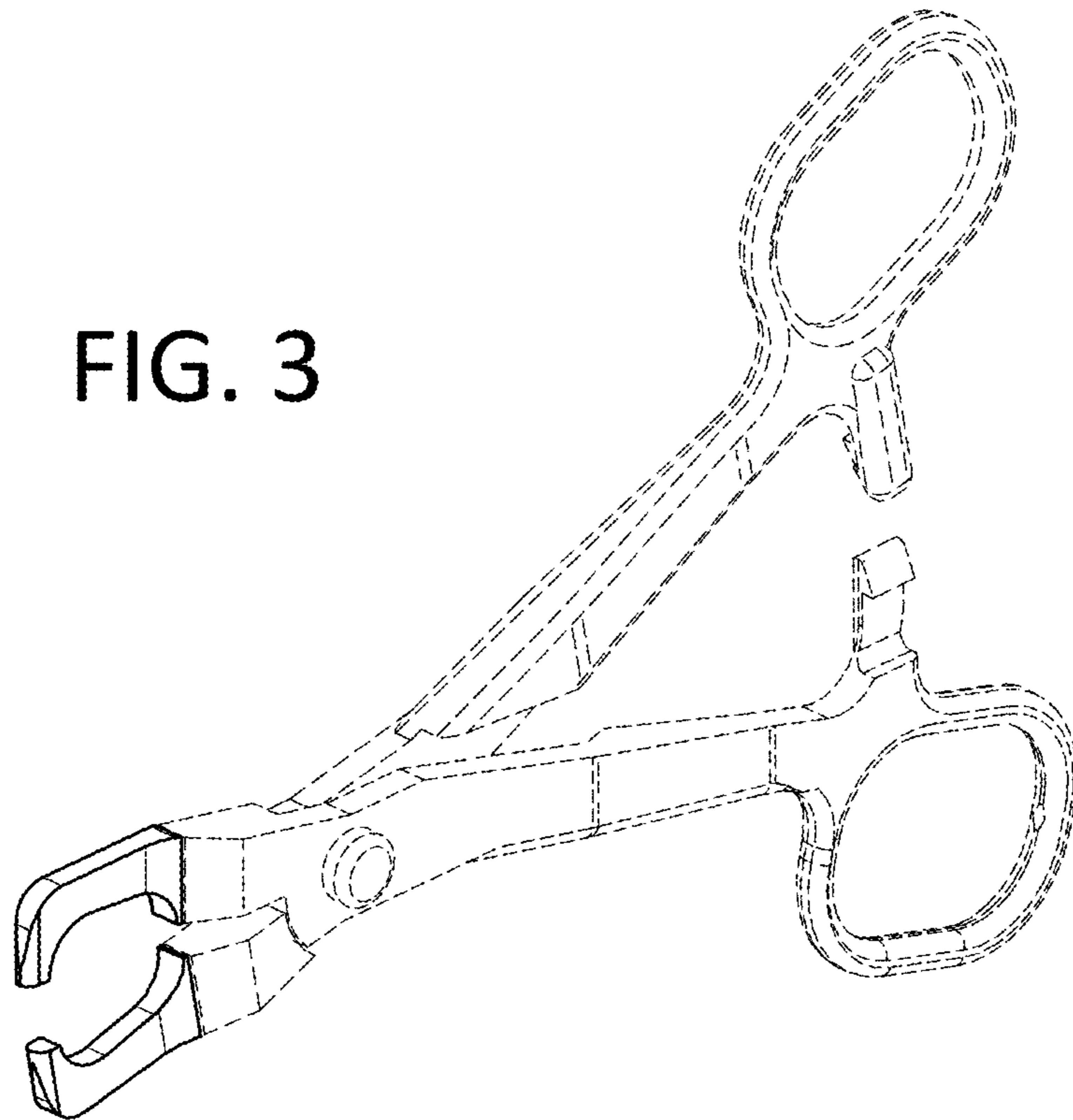


FIG. 4

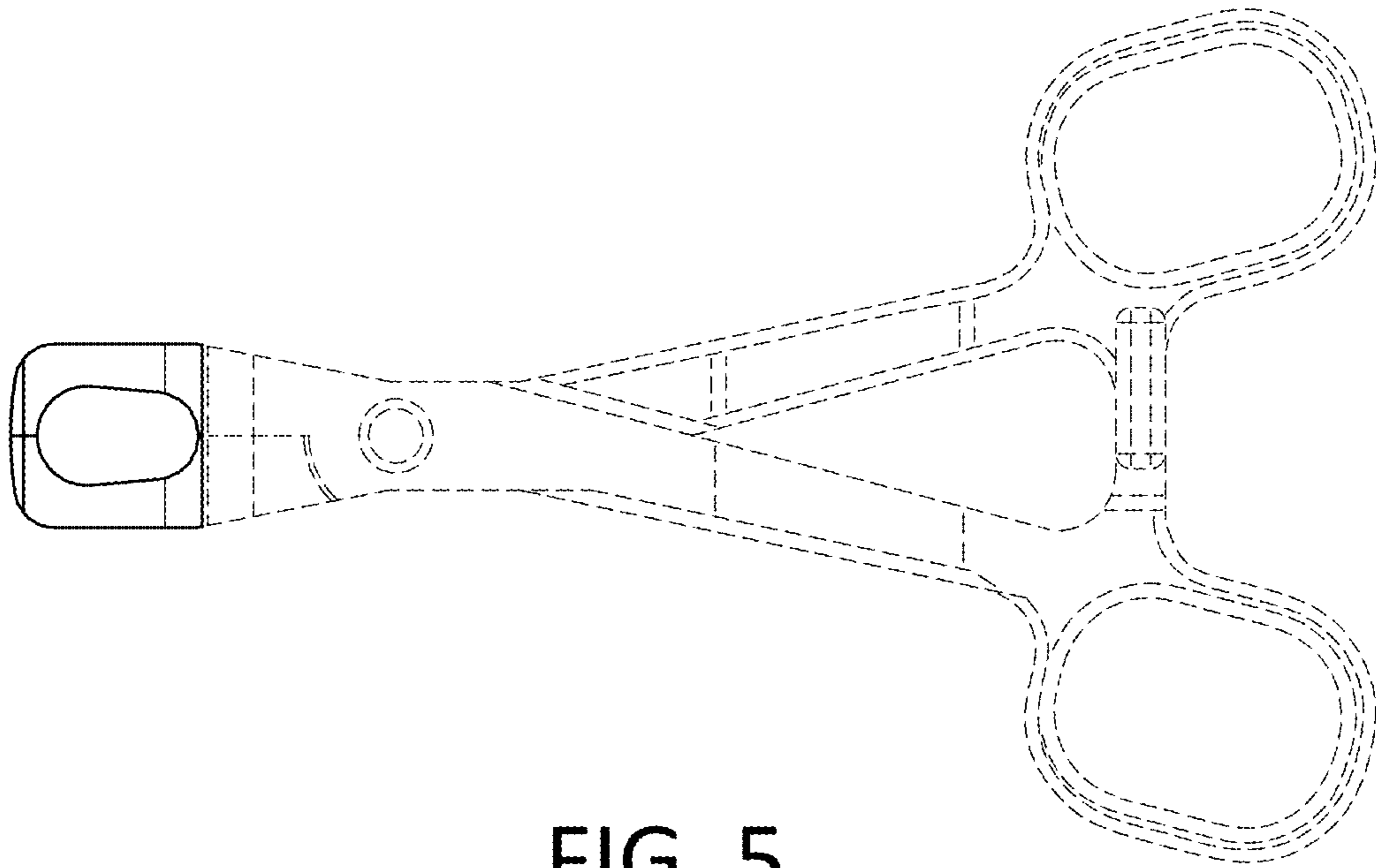


FIG. 5

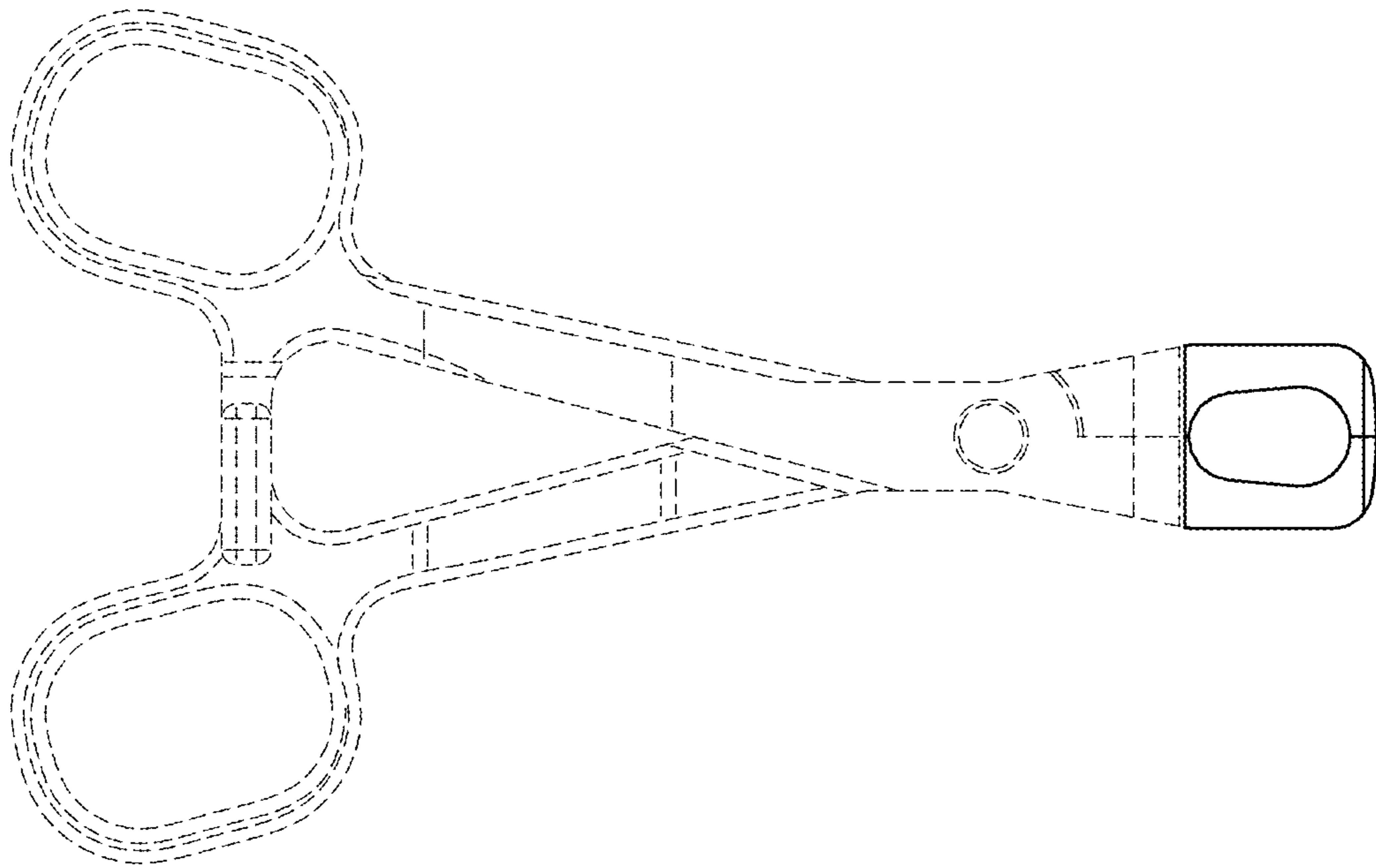


FIG. 6

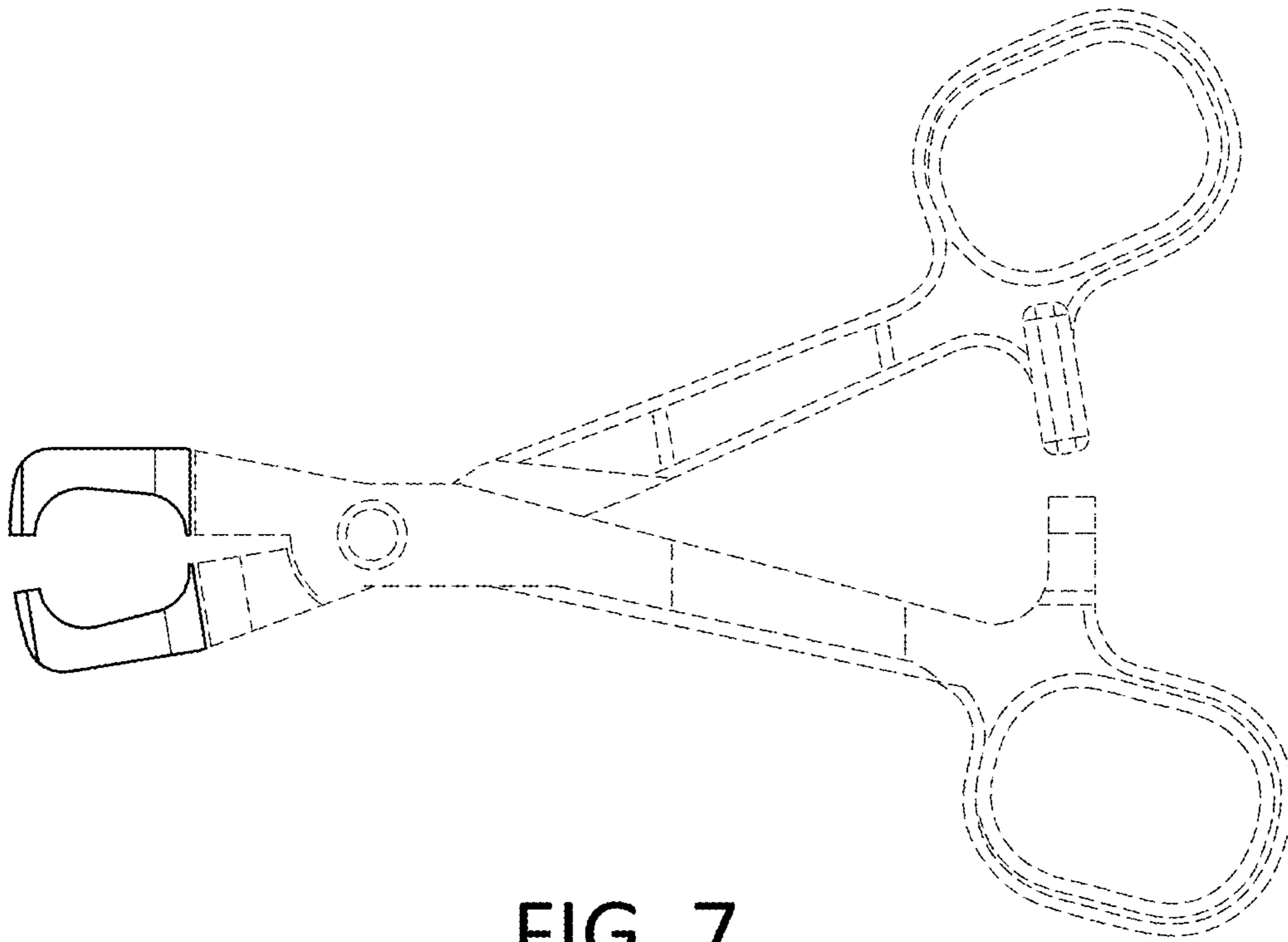


FIG. 7

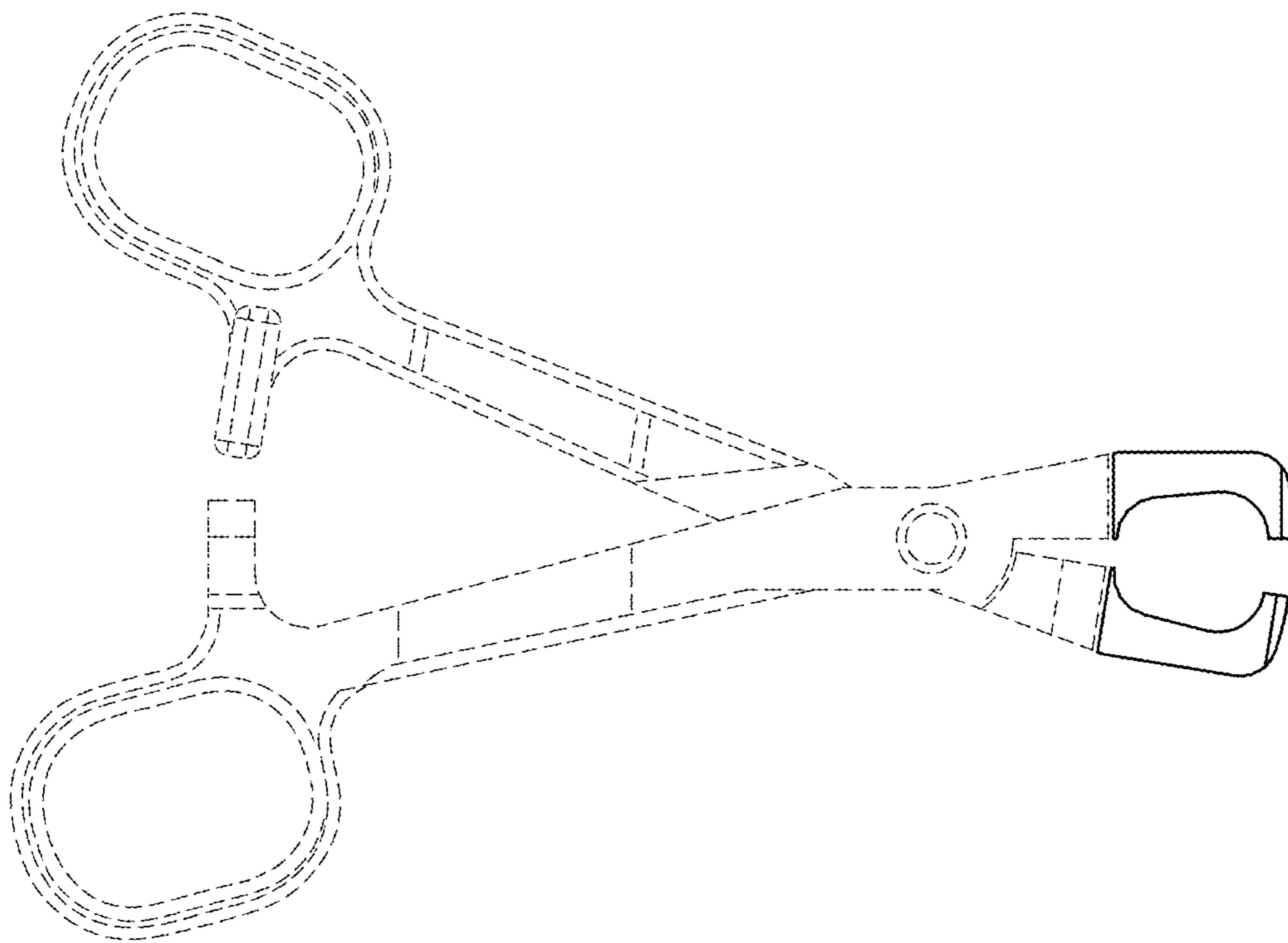


FIG. 8

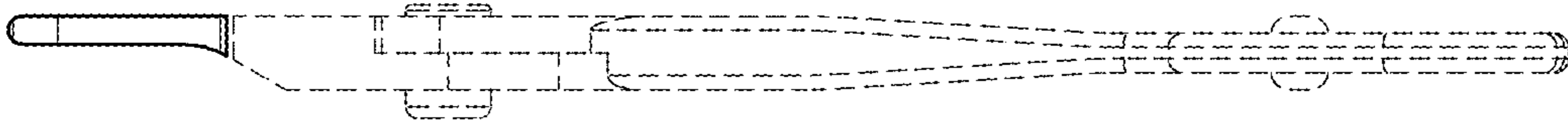


FIG. 9

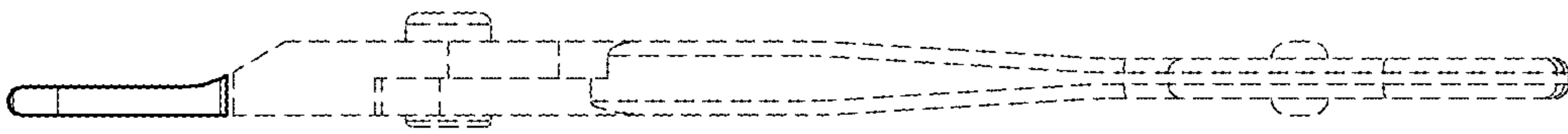


FIG. 10

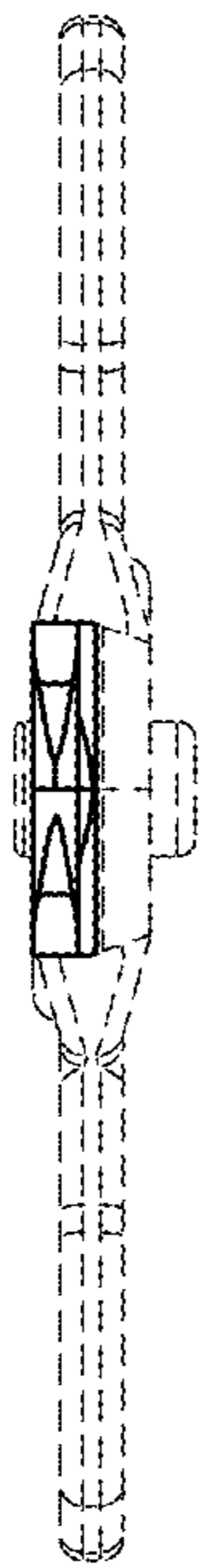


FIG. 11



FIG. 12

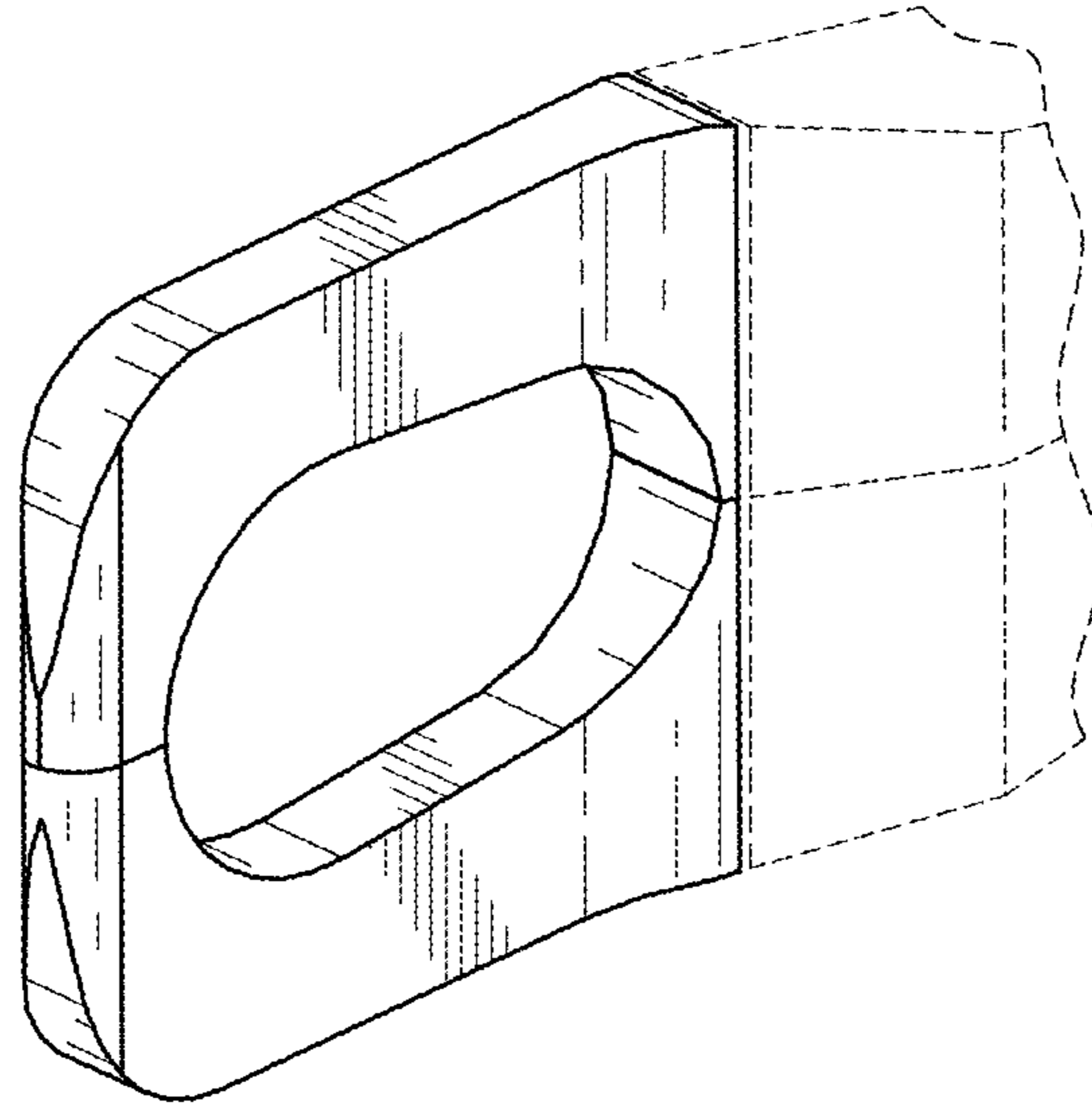


FIG. 13

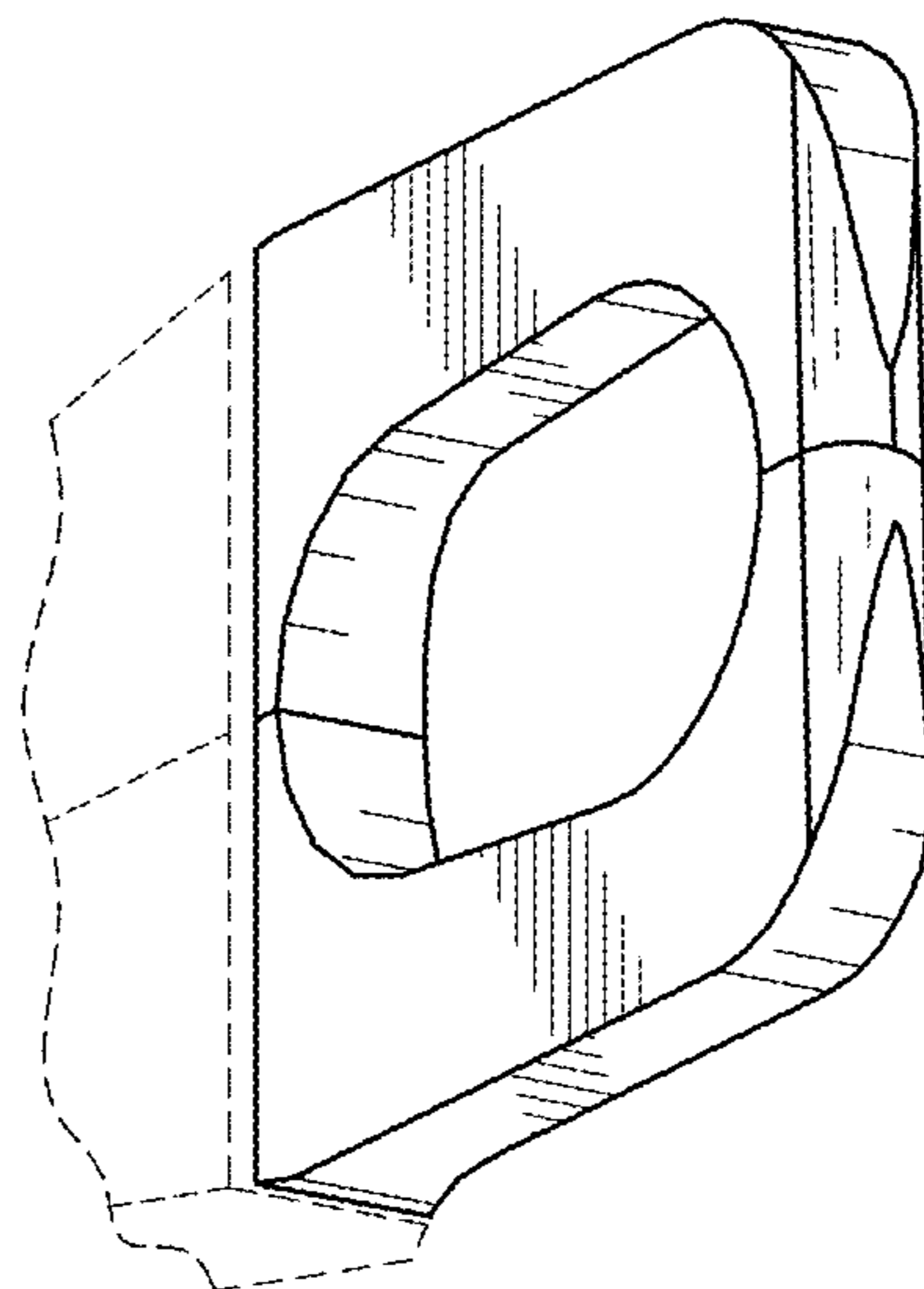


FIG. 14



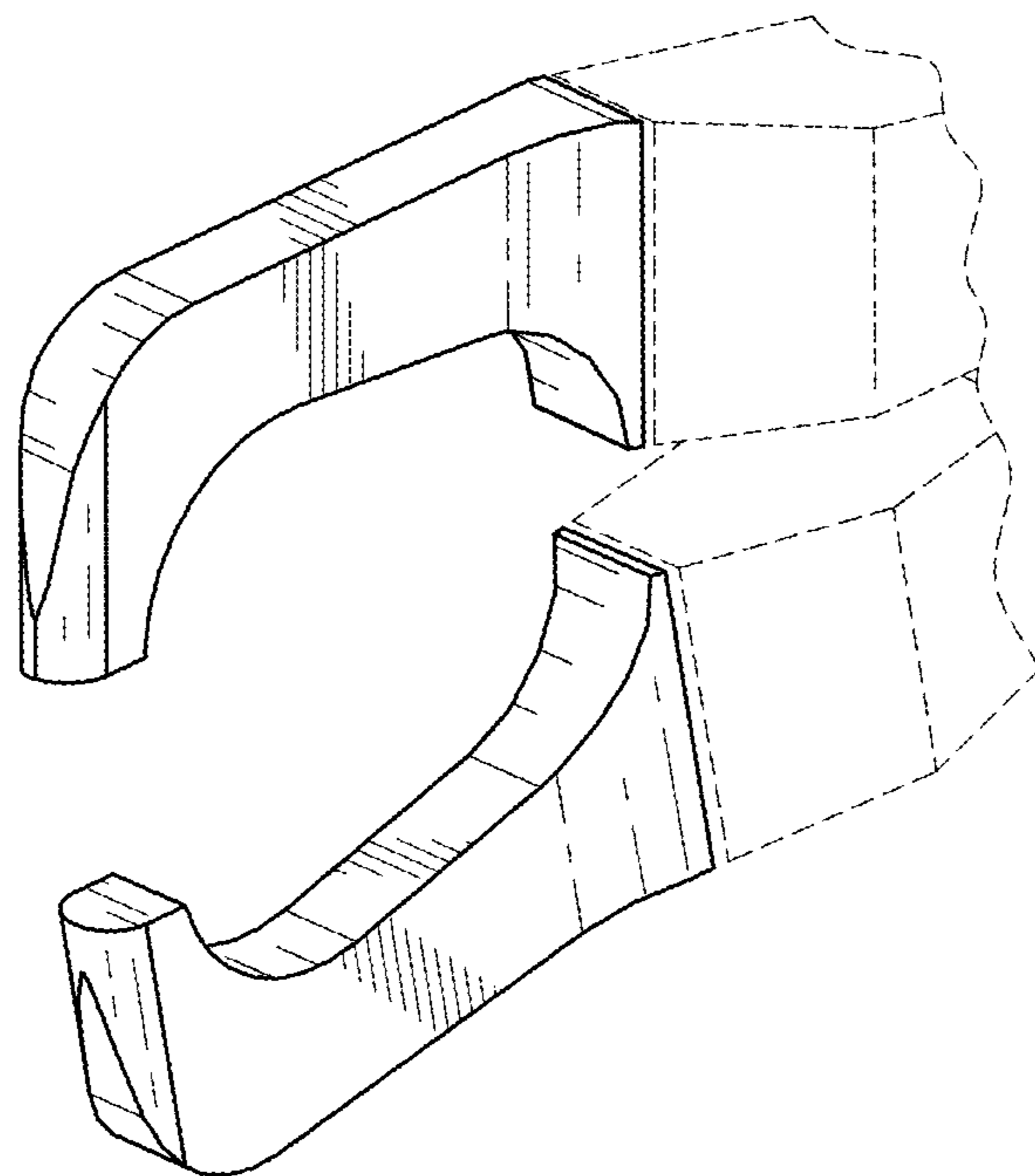


FIG. 15

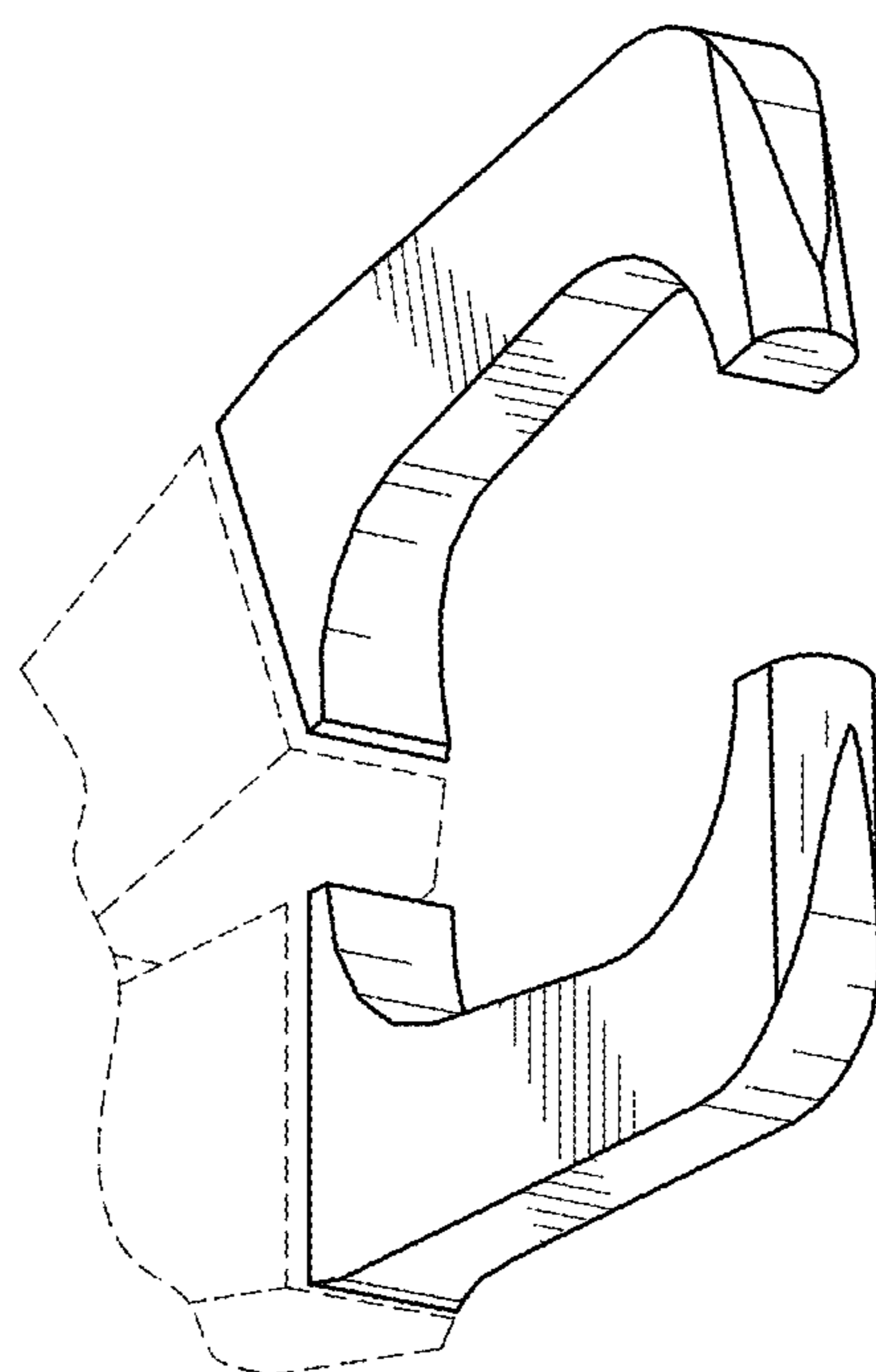


FIG. 16

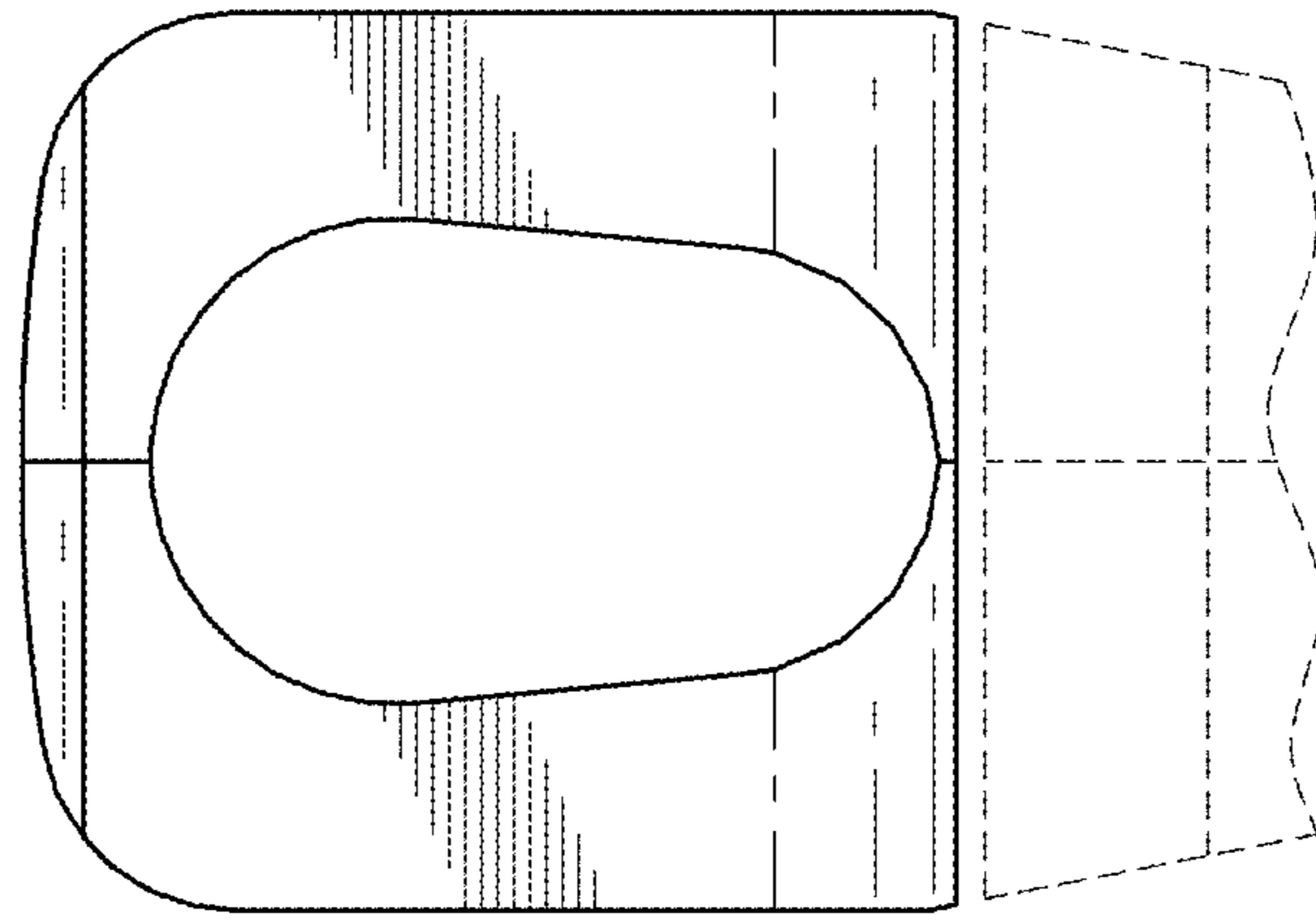


FIG. 17

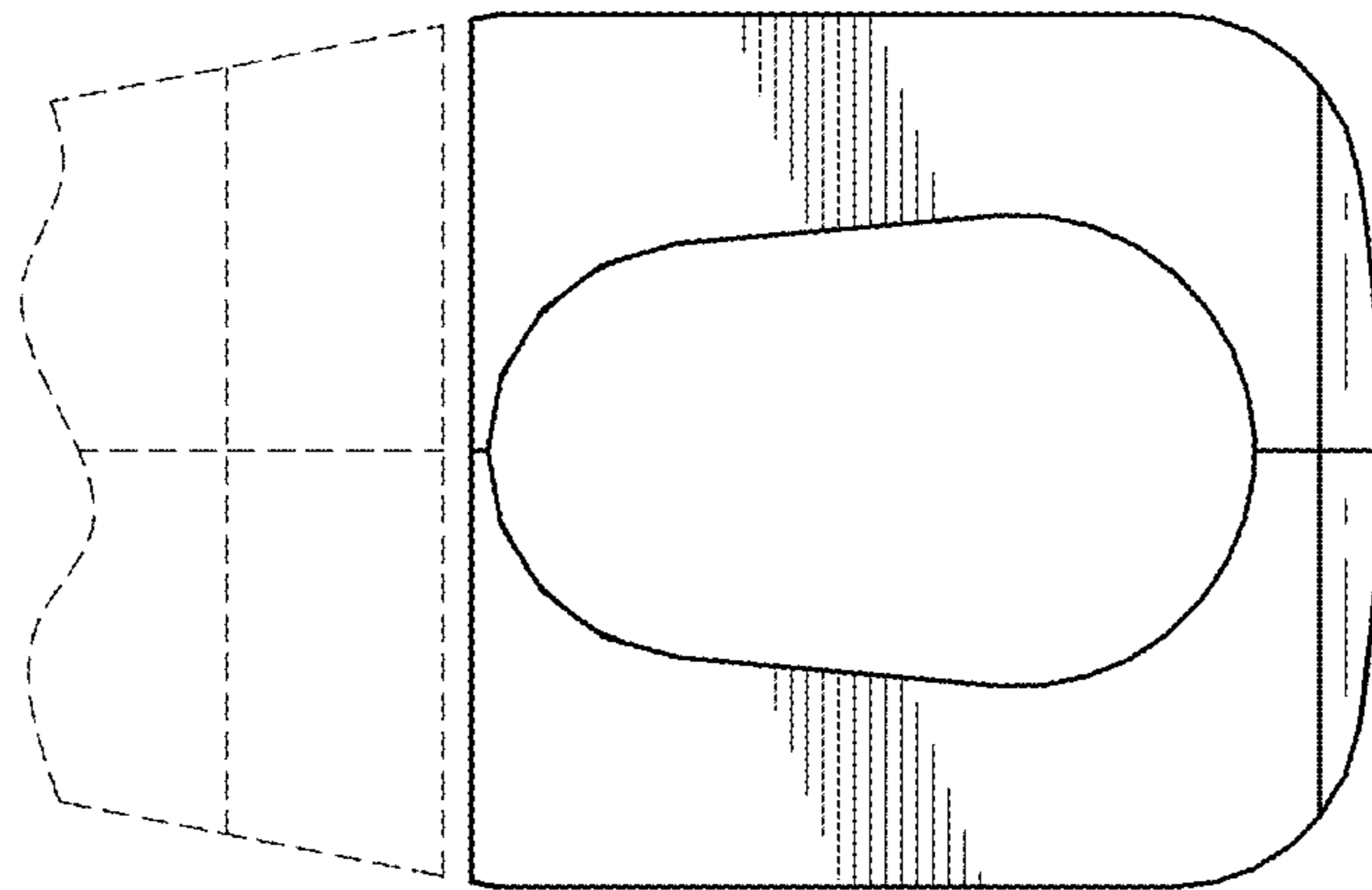


FIG. 18

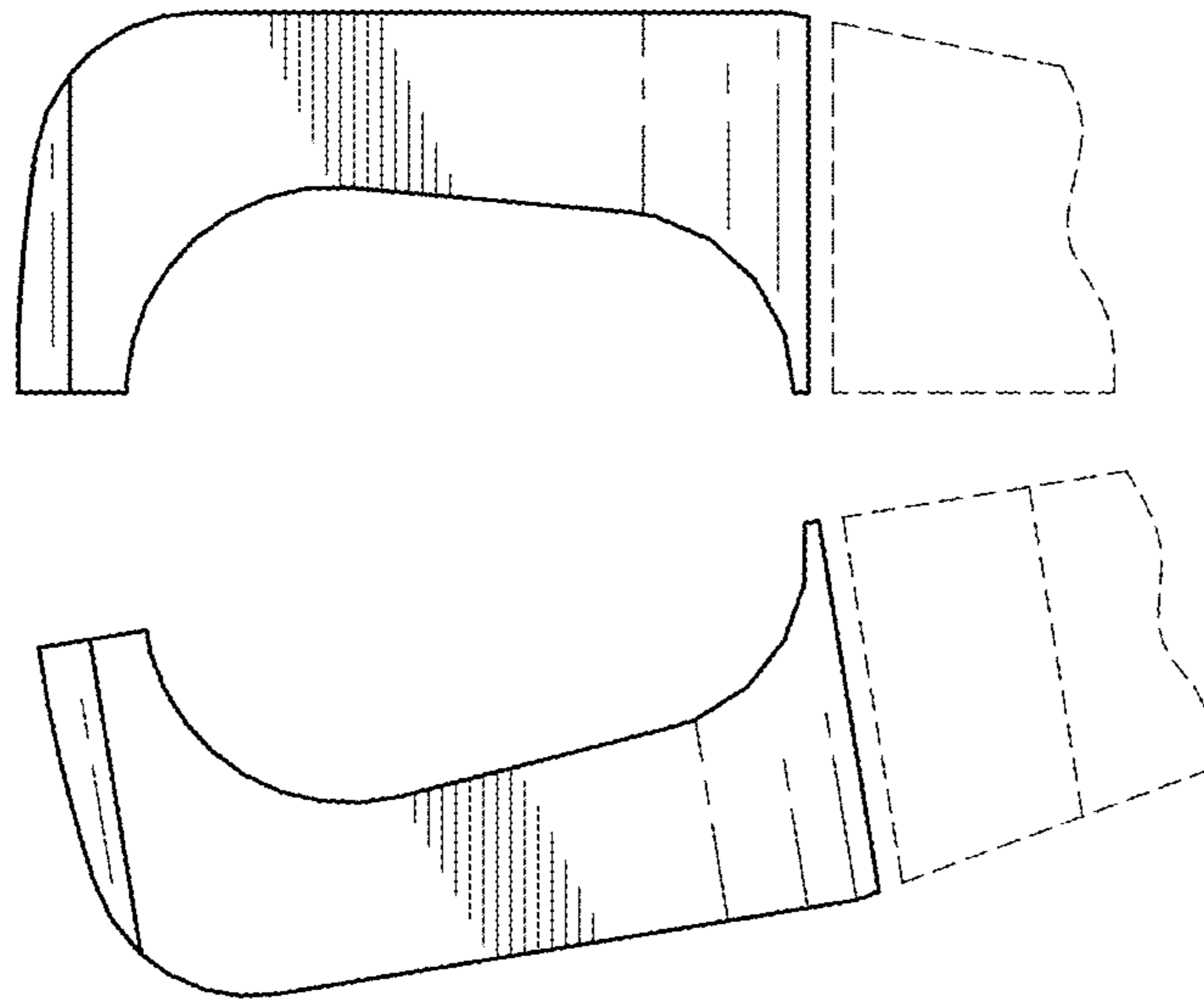


FIG. 19

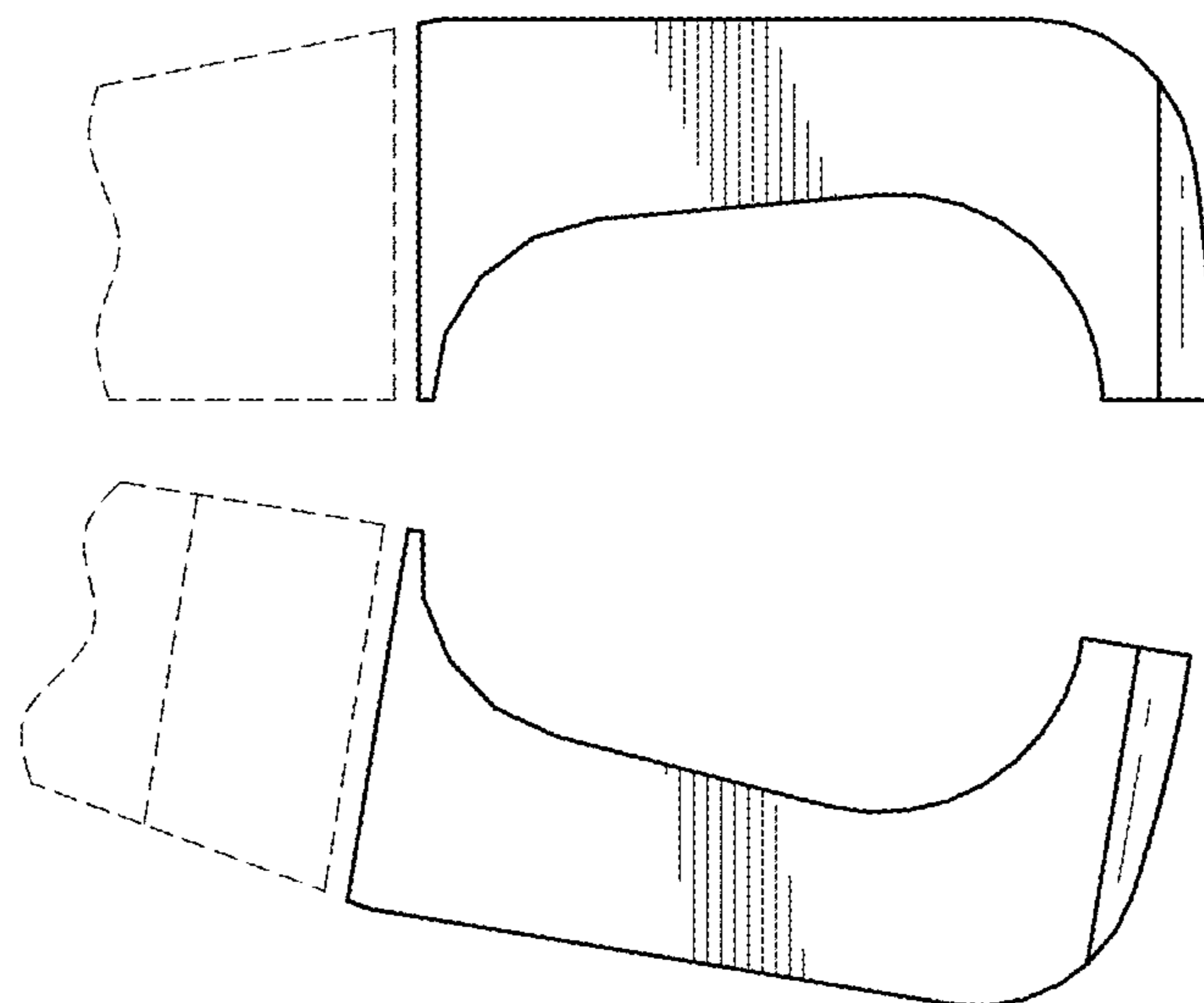


FIG. 20

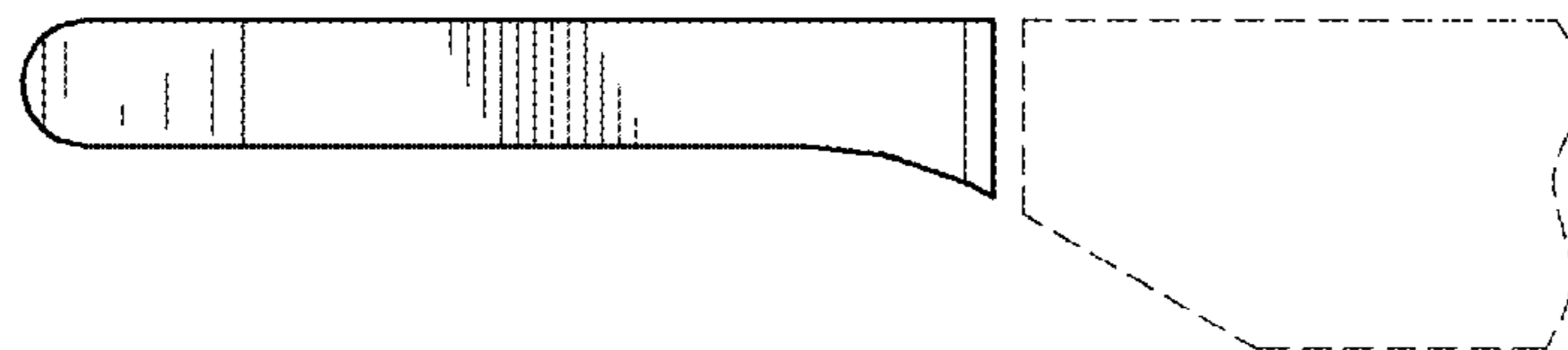


FIG. 21

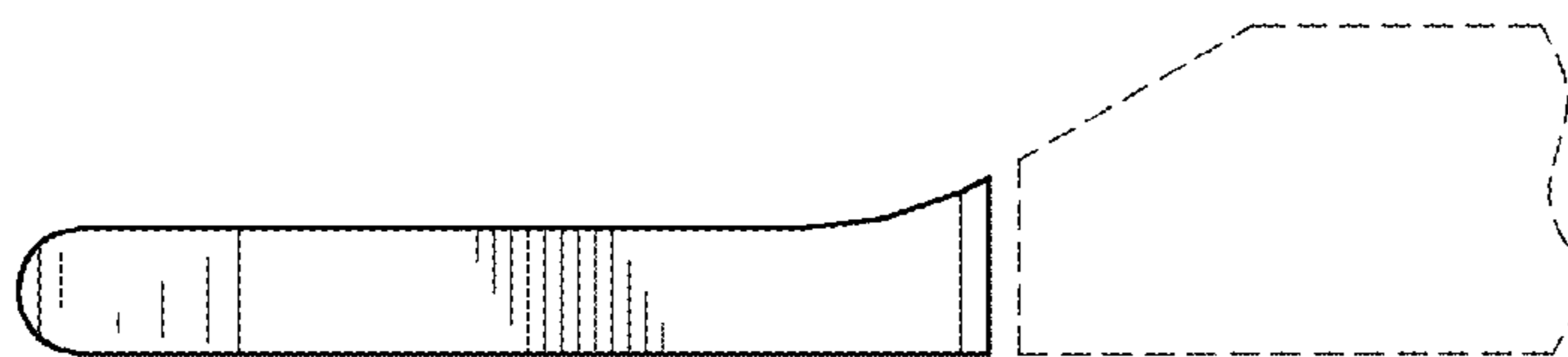


FIG. 22

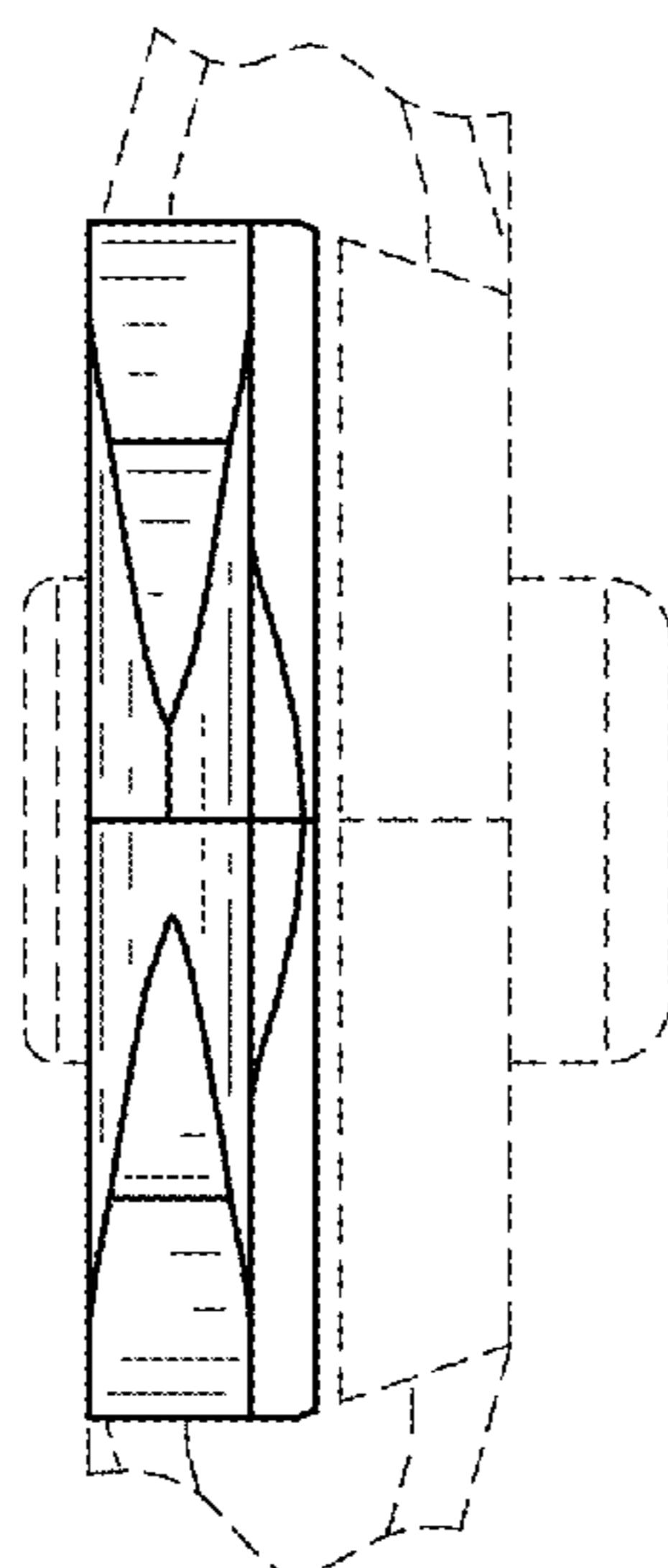


FIG. 23