



US00D950053S

(12) **United States Design Patent**
Gull et al.

(10) **Patent No.:** **US D950,053 S**

(45) **Date of Patent:** **** Apr. 26, 2022**

(54) **STETHOSCOPE**

(71) Applicants: **Humara S Gull**, Humble, TX (US); **Ali S Arif**, Humble, TX (US); **Talha S Arif**, Humble, TX (US)

(72) Inventors: **Humara S Gull**, Humble, TX (US); **Ali S Arif**, Humble, TX (US); **Talha S Arif**, Humble, TX (US)

(**) Term: **15 Years**

(21) Appl. No.: **29/785,190**

(22) Filed: **May 24, 2021**

Related U.S. Application Data

(63) Continuation-in-part of application No. 16/601,292, filed on Oct. 14, 2019, now abandoned, which is a continuation-in-part of application No. 29/700,174, filed on Jul. 31, 2019, now Pat. No. Des. 932,619.

(51) **LOC (13) Cl.** **24-02**

(52) **U.S. Cl.**

USPC **D24/134**

(58) **Field of Classification Search**

USPC D24/133, 134, 135, 136, 140, 167, 189
CPC .. A61B 7/02; A61B 7/04; A61B 7/003; A61B 5/024; A61B 5/7282; A61B 5/742; A61B 17/17; A61B 17/16; A61B 17/11; A61B 17/00; A61B 17/1675; A61B 17/1764; A61B 17/1767; A61B 18/00; A61B 19/00; A61F 2/46; A61F 2/4601; A61F 2/4603; A61F 2/461; A61F 2/3868; A61F 2002/4631

See application file for complete search history.

(56) **References Cited**

U.S. PATENT DOCUMENTS

3,215,224 A * 11/1965 Machlup A61B 7/026
181/137
3,339,667 A * 9/1967 Speelman A61B 5/02233
181/137

3,455,293 A * 7/1969 Bethune A61B 5/332
600/513
3,515,239 A * 6/1970 Littmann A61B 7/026
181/137
D254,919 S * 5/1980 Bollinger D21/529
4,212,368 A * 7/1980 Allen A61B 7/026
181/131
D256,951 S * 9/1980 Allen D13/101
D269,295 S * 6/1983 Bloom D24/134
4,458,778 A * 7/1984 Bloom A61B 7/02
181/131
4,461,368 A * 7/1984 Plourde A61B 7/02
181/131

(Continued)

FOREIGN PATENT DOCUMENTS

CN 306444744 * 4/2021

Primary Examiner — T Chase Nelson

Assistant Examiner — Kelly L Gross

(74) *Attorney, Agent, or Firm* — Plager Schack LLP; Mark H. Plager; Michael J. O'Brien

(57) **CLAIM**

The ornamental design for a stethoscope, as shown and described.

DESCRIPTION

FIG. 1 is a front perspective view of a stethoscope, showing our new design.

FIG. 2 is a front view thereof;

FIG. 3 is a rear view thereof;

FIG. 4 is a left side view thereof;

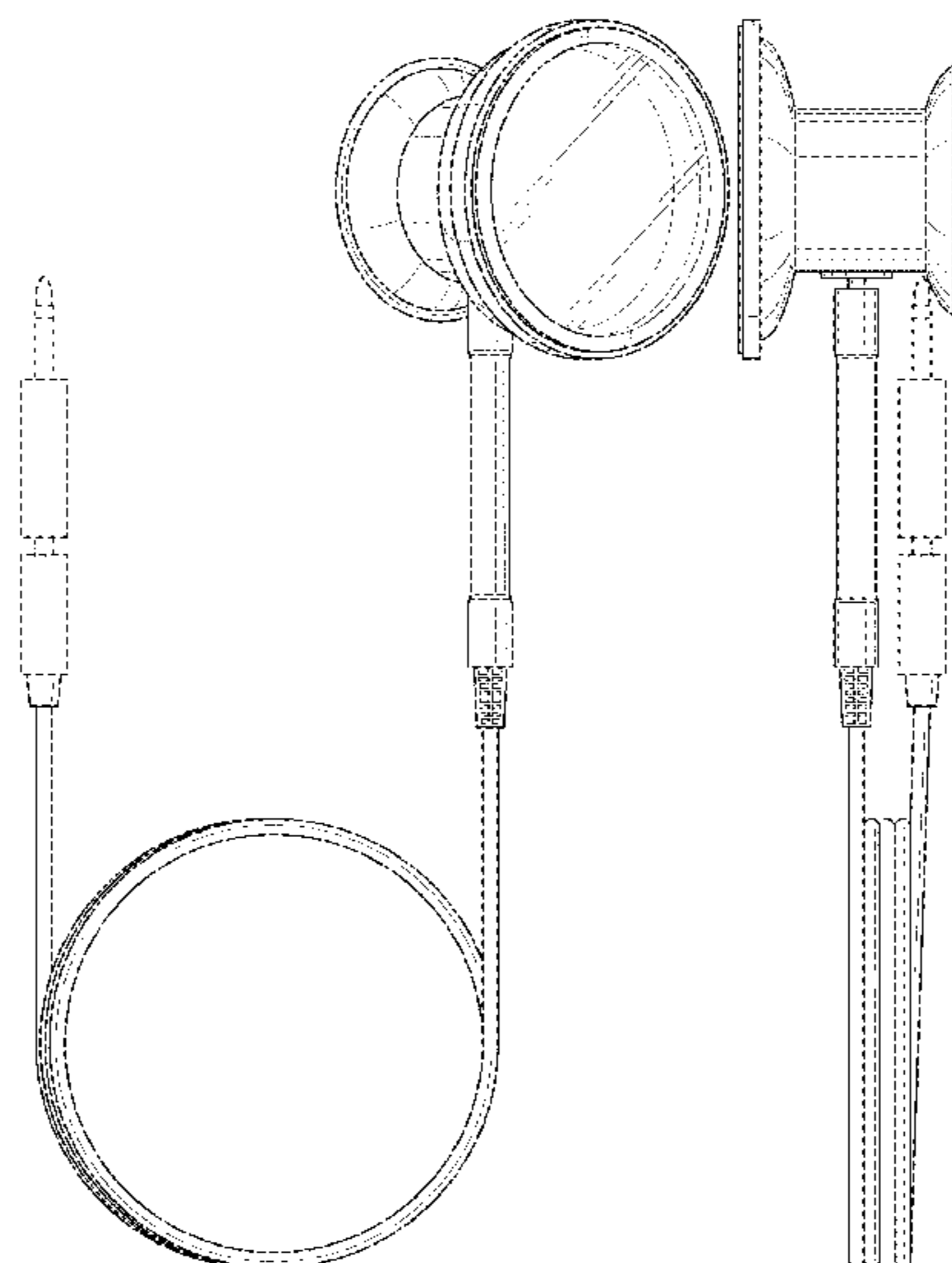
FIG. 5 is a right-side view thereof;

FIG. 6 is a top view thereof; and,

FIG. 7 is a bottom view thereof.

The broken lines show portions of the stethoscope that form no part of the claimed design.

1 Claim, 7 Drawing Sheets



(56)

References Cited

U.S. PATENT DOCUMENTS

4,783,813	A *	11/1988	Kempka	A61B 7/04	6,966,400	B1 *	11/2005	Rollins	A61B 7/02
					381/67						181/131
4,802,550	A *	2/1989	Poore	A61B 7/02	D525,360	S *	7/2006	Nakamura	D24/134
					181/131	D536,448	S *	2/2007	Jackson	D24/134
4,991,686	A *	2/1991	Allen	A61B 7/02	D621,504	S *	8/2010	Martinez	D24/134
					181/130	D654,772	S *	2/2012	Freeman	D8/89
5,025,809	A *	6/1991	Johnson	A61B 7/04	D748,785	S *	2/2016	Denison	D24/139
					600/528	D752,767	S *	3/2016	Stock	A61B 7/02
D323,033	S *	1/1992	Allen	D24/134						D24/214
5,189,264	A *	2/1993	Peart	A61B 7/02	D756,514	S *	5/2016	Ohwa	D24/134
					181/131	D757,244	S *	5/2016	Sung	A61B 7/02
5,424,495	A *	6/1995	Wurzburger	A61B 7/026						D24/110
					181/131	D757,529	S *	5/2016	Chen	A61B 7/04
D362,063	S *	9/1995	Savage	D24/134						D8/373
5,514,840	A *	5/1996	Selinger	A61B 7/026	D757,936	S *	5/2016	Angel	D24/134
					181/131	9,404,829	B1 *	8/2016	Tien	G01M 3/243
D389,576	S *	1/1998	Grasfield	D24/134	D765,499	S *	9/2016	Chen	A61B 7/026
D394,314	S *	5/1998	Moore	D24/134						D8/373
5,747,752	A *	5/1998	Selinger	A61B 7/02	D787,684	S *	5/2017	Vezina	D24/187
					181/131	D814,631	S *	4/2018	Kody	D24/134
D398,056	S *	9/1998	Rashman	D24/134	D855,801	S *	8/2019	Connolly	D24/134
D401,337	S *	11/1998	Rashman	D24/134	D865,167	S *	10/2019	Kirgizov	D24/134
5,909,495	A *	6/1999	Andrea	A61B 7/04	D875,927	S *	2/2020	Ohashi	D24/134
					381/67	D880,703	S *	4/2020	Emery	D24/187
5,945,641	A *	8/1999	Shieh	A61B 7/02	D880,720	S *	4/2020	Ou Yang	D24/217
					181/131	D911,520	S *	2/2021	Lin	D24/134
6,015,024	A *	1/2000	Rashman	A61B 7/026	2004/0114767	A1 *	6/2004	Tseng	A61B 7/02
					181/131						381/67
6,019,187	A *	2/2000	Appavu	A61B 7/02	2012/0190303	A1 *	7/2012	Wong	A61B 7/02
					181/131						455/41.2
6,202,784	B1 *	3/2001	Alatriste	A61B 1/227	2012/0310115	A1 *	12/2012	Bedingham	A61B 5/002
					181/131						600/586
6,206,134	B1 *	3/2001	Stark	A61B 7/02	2014/0005574	A1 *	1/2014	Ting	A61B 7/02
					181/131						600/586
D445,184	S *	7/2001	Meyer	D24/134	2014/0107515	A1 *	4/2014	Lee	A61B 7/008
D477,874	S *	7/2003	Sommerfeld	D24/134						600/528
D485,357	S *	1/2004	Kapinos, Sr.	D24/134	2016/0095571	A1 *	4/2016	Shams	A61B 8/0866
D487,928	S *	3/2004	Drummond	D24/134						600/586
D505,491	S *	5/2005	Nessel	D24/134	2019/0133548	A1 *	5/2019	Cai	A61B 8/565
						2020/0098345	A1 *	3/2020	Loriaux	A61B 7/02
						2020/0155112	A1 *	5/2020	Gross	A61B 50/31
						2020/0205770	A1 *	7/2020	Friedman	H04R 1/46

* cited by examiner

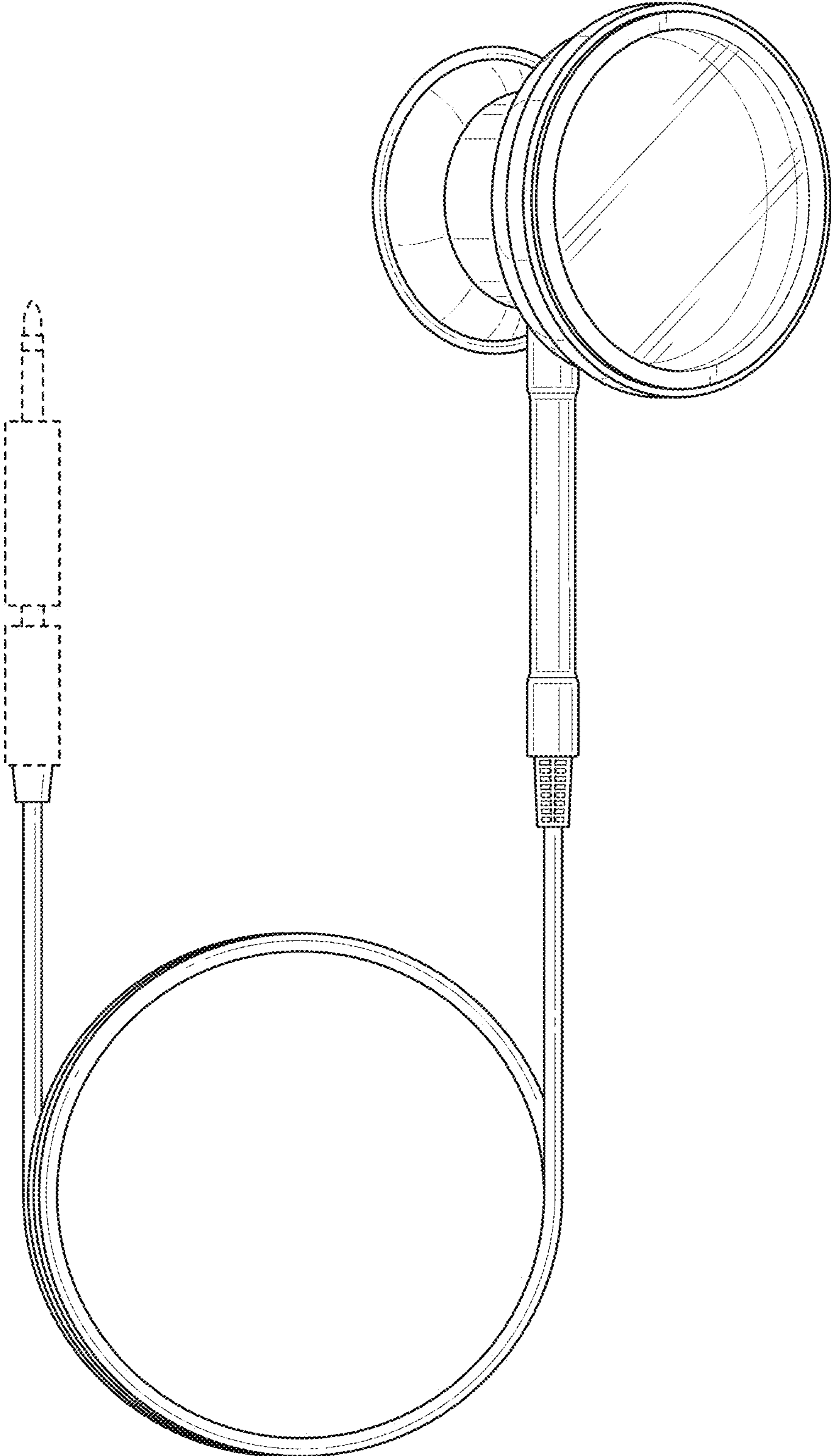


FIG. 1

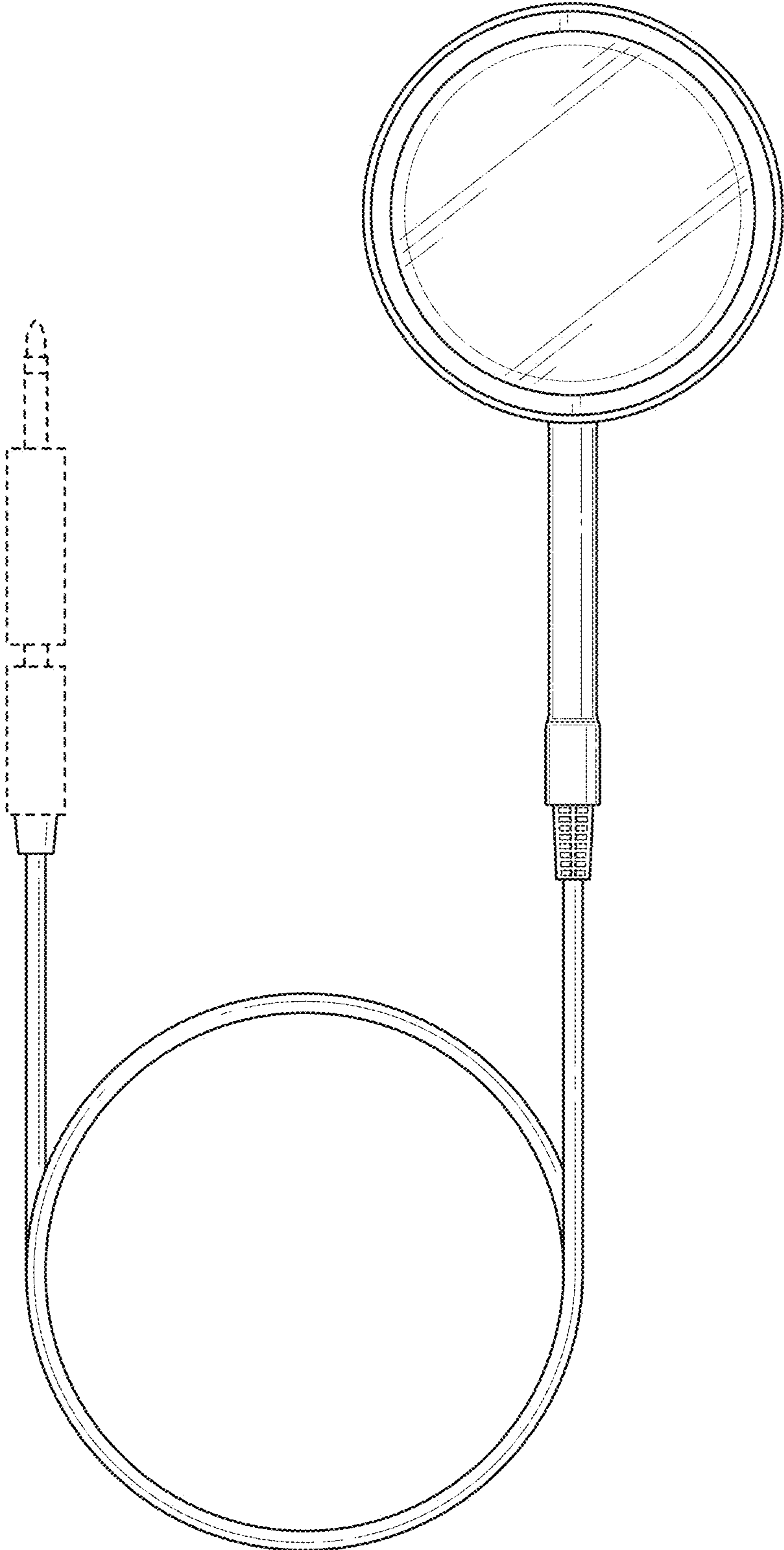


FIG. 2

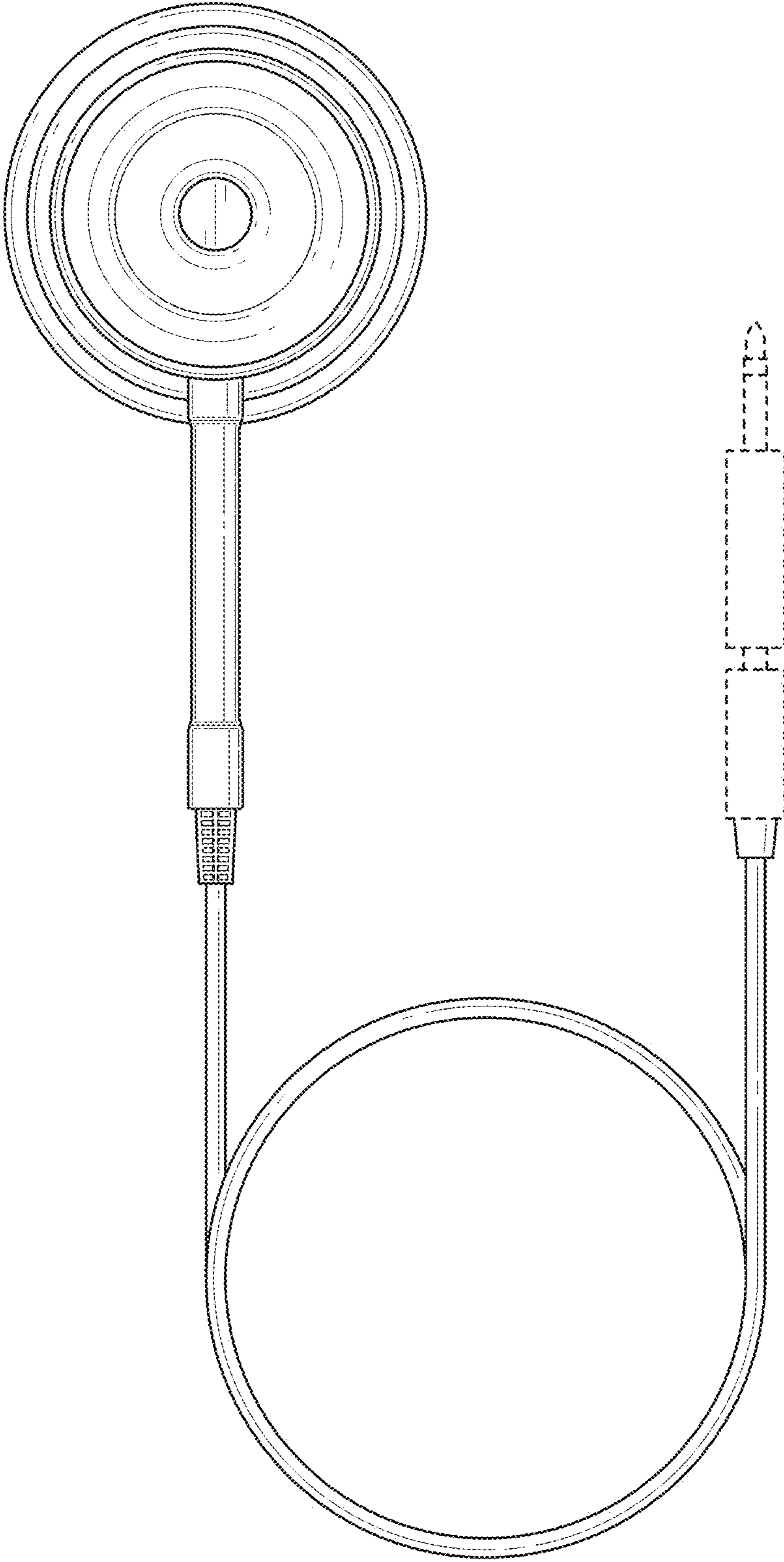


FIG. 3

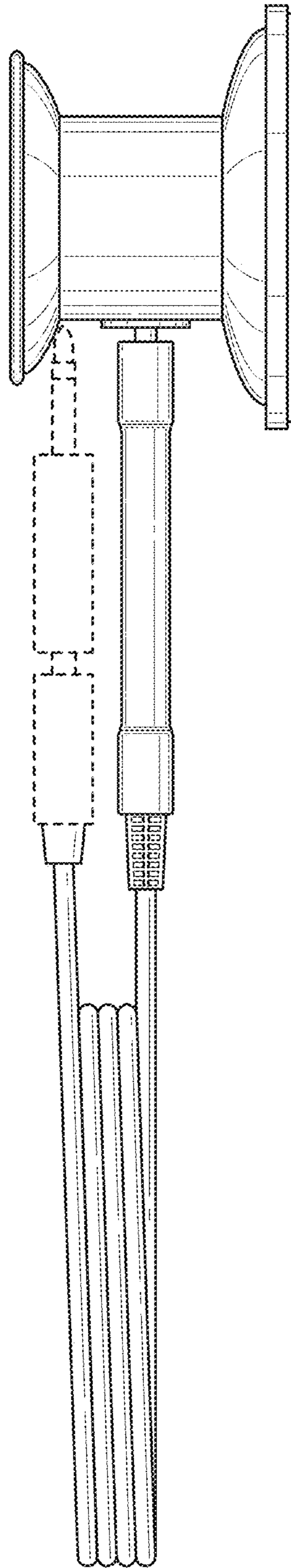


FIG. 4

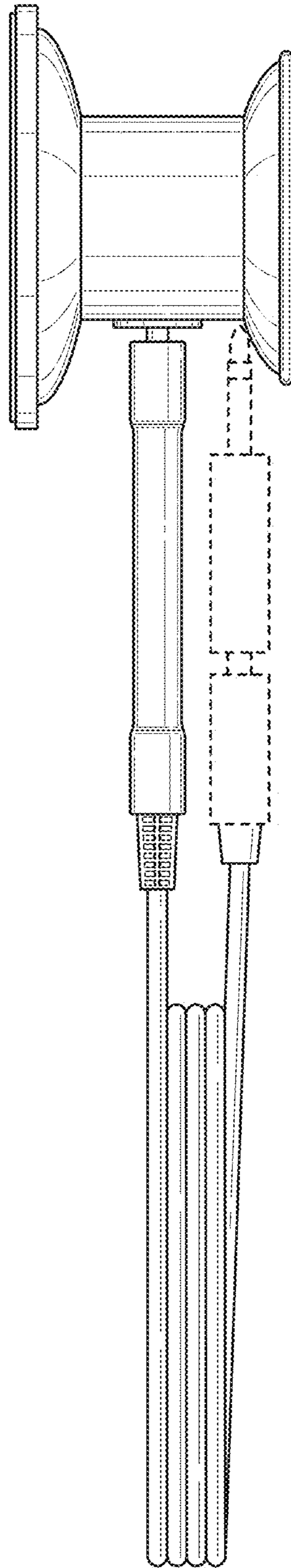


FIG. 5

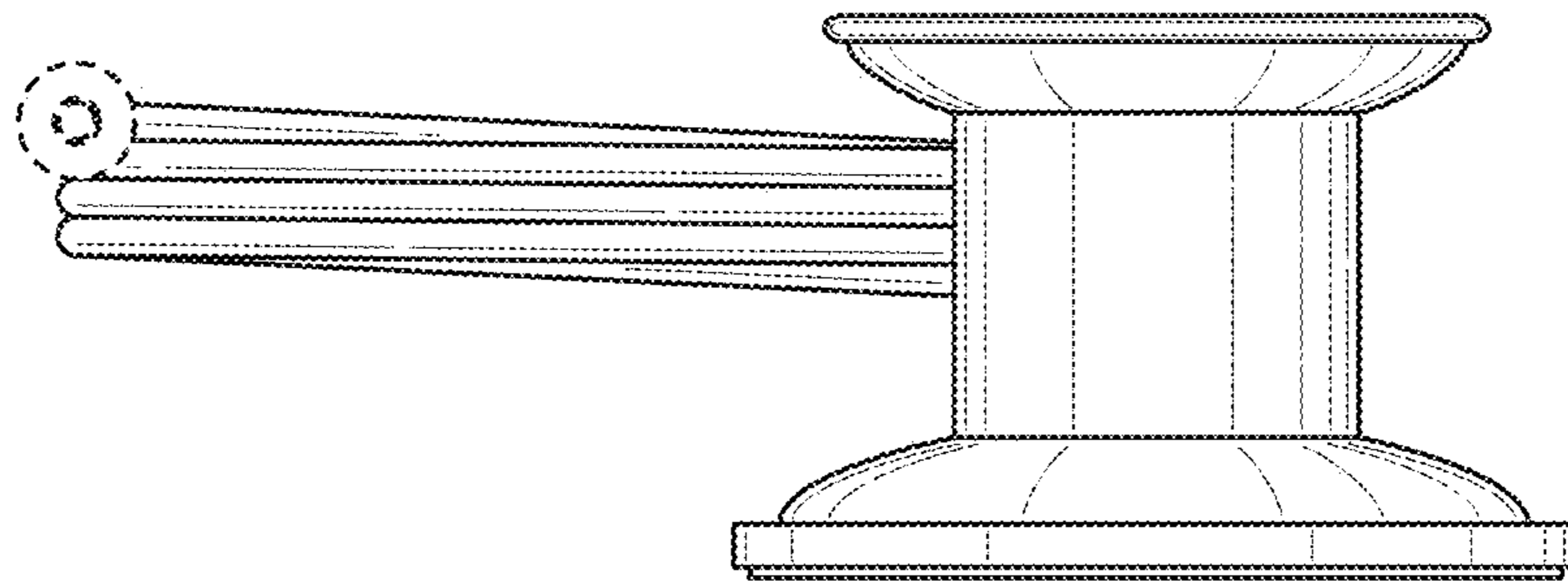


FIG. 6

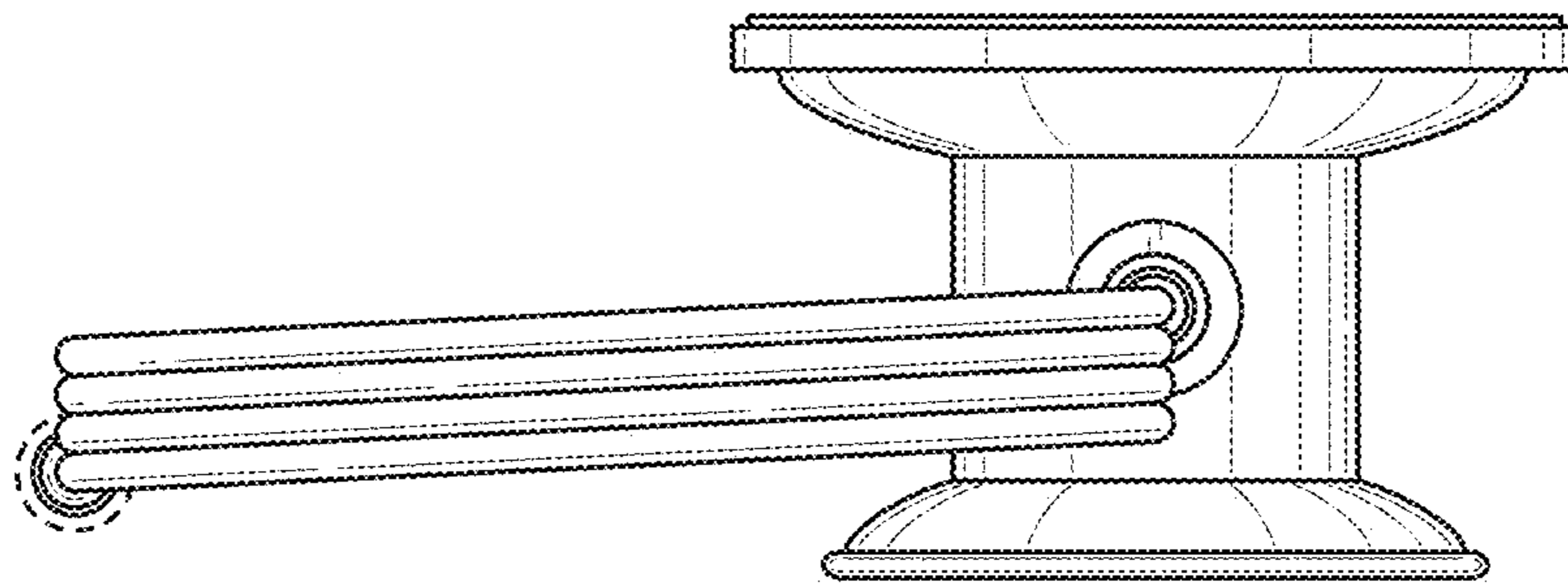


FIG. 7