



US00D950052S

(12) **United States Design Patent**
Hietala et al.

(10) **Patent No.:** **US D950,052 S**
(45) **Date of Patent:** **** Apr. 26, 2022**

(54) **FLOW SENSOR**

7,607,360 B2 10/2009 Totokoro et al.
D623,302 S 9/2010 Barrett et al.
D659,835 S 5/2012 Benson

(71) Applicant: **General Electric Company,**
Schenectady, NY (US)

(Continued)

(72) Inventors: **Mika Hietala,** Espoo (FI); **Timo Holopainen,** Helsinki (FI)

FOREIGN PATENT DOCUMENTS

FI 96579 C 7/1996

(73) Assignee: **General Electric Company,**
Schenectady, NY (US)

OTHER PUBLICATIONS

(**) Term: **15 Years**

Hietala, M. et al., "An Ornamental Design for a Cap," U.S. Appl. No. 29/640,868, filed Mar. 16, 2018, 10 pages.

(21) Appl. No.: **29/709,246**

Primary Examiner — David G Muller

(22) Filed: **Oct. 11, 2019**

(74) *Attorney, Agent, or Firm* — McCoy Russell LLP

(57) **CLAIM**

The ornamental design for a flow sensor, as shown and described.

Related U.S. Application Data

(62) Division of application No. 29/640,853, filed on Mar. 16, 2018, now Pat. No. Des. 867,913.

DESCRIPTION

(51) **LOC (13) Cl.** **24-02**

(52) **U.S. Cl.**
USPC **D24/129**

(58) **Field of Classification Search**
USPC D24/129, 112-114, 108, 130, 127, 133, D24/186, 164; 606/181, 185; 604/264, 604/523-528, 272, 164.01-164.11, 187, 604/93.01; 600/101, 139, 143; 128/200.24, 207.14, 207.15; D10/95
CPC .. A61M 25/065; A61M 5/42; A61M 25/0612; A61M 25/00; A61M 39/00; A61M 27/00; A61M 25/0043; A61M 25/0067; A61M 25/0097; A61F 2/958

FIG. 1 is a front top perspective view of a flow sensor according to an embodiment of the present invention. FIG. 2 is a front view of the flow sensor of FIG. 1. FIG. 3 is a back view of the flow sensor of FIG. 1. FIG. 4 is a left side view of flow sensor of FIG. 1. FIG. 5 is a right side view of the flow sensor of FIG. 1. FIG. 6 is a top view of the flow sensor of FIG. 1. FIG. 7 is a bottom view of the flow sensor of FIG. 1; and, FIG. 8 is a front top perspective view of the flow sensor of FIG. 1 shown with spirometry connector caps and tubings in the environment.

See application file for complete search history.

The broken lines in FIGS. 1-8 are included for the purpose of illustrating environmental structure and form no part of the claimed design. The broken lines in FIG. 8 showing the spirometry sensor caps and tubings are included for the purpose of illustrating environmental structure and form no part of the claimed design.

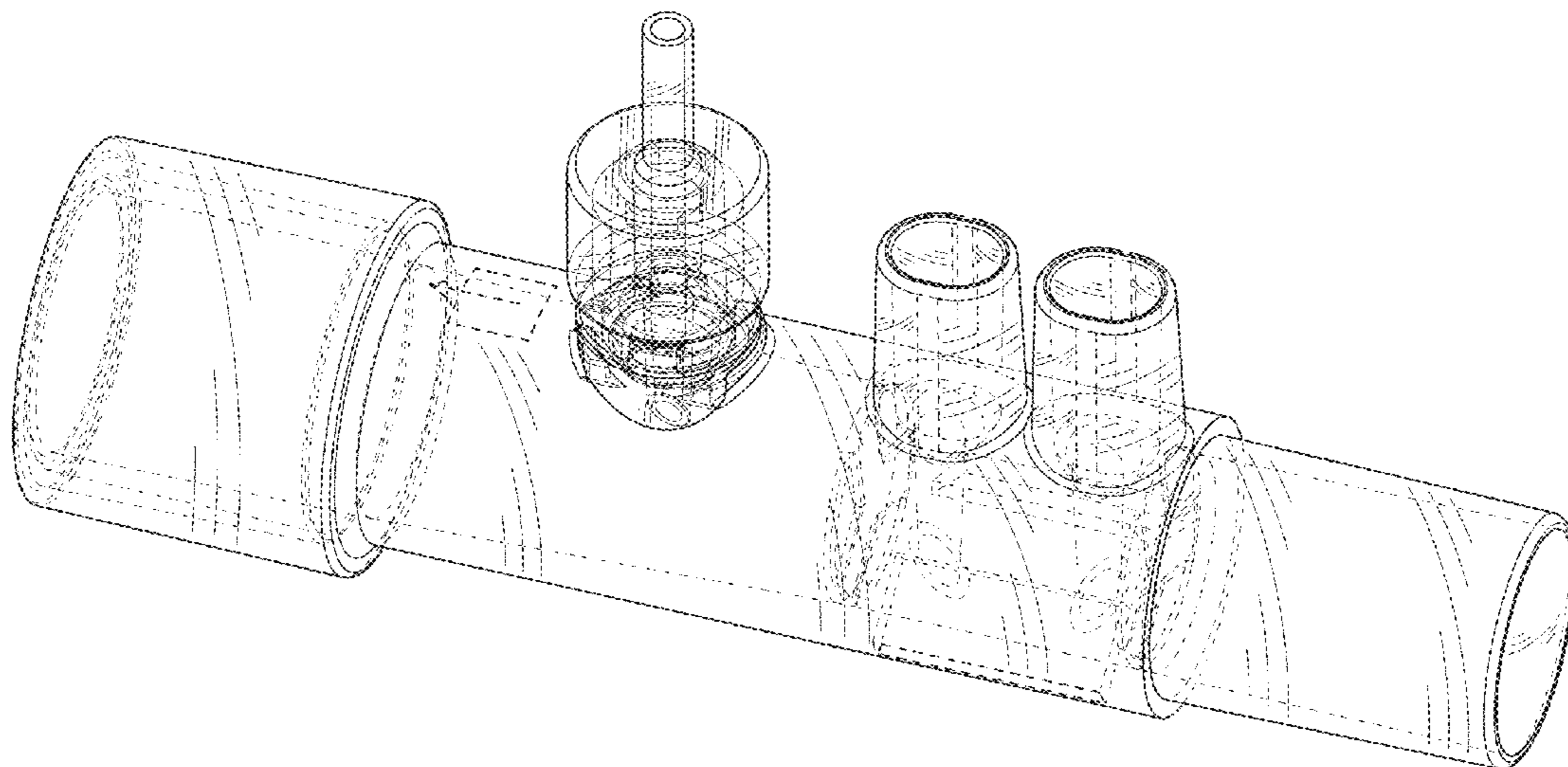
The oblique line shading shown in FIGS. 1-8 indicate transparent or translucent material.

(56) **References Cited**

U.S. PATENT DOCUMENTS

D266,695 S 10/1982 Trammll et al.
5,873,361 A 2/1999 Hakala
D587,611 S 3/2009 Oshima et al.
D590,481 S 4/2009 Stimpson

1 Claim, 8 Drawing Sheets



(56)

References Cited

U.S. PATENT DOCUMENTS

8,403,908 B2 * 3/2013 Jacobson G01F 1/42
604/505
8,888,711 B2 * 11/2014 Allum A61M 16/0057
600/538
10,190,896 B2 * 1/2019 Makino G01K 1/00
10,274,353 B2 * 4/2019 Critchley G01F 1/684
10,309,818 B2 * 6/2019 Gagne G01F 1/667
10,564,015 B2 * 2/2020 Stromsten G01F 1/40
10,634,538 B2 * 4/2020 Allen G01F 1/28
10,704,938 B2 * 7/2020 Valtierra F04B 51/00
D914,524 S * 3/2021 Kurisaki D10/96
11,015,968 B2 * 5/2021 Lipowitz G01F 15/14
11,054,291 B2 * 7/2021 Dames G01F 15/14
D936,825 S * 11/2021 VanPelt D24/129
D938,578 S * 12/2021 Kolenda D24/111
2007/0193581 A1 8/2007 Laurila et al.
2007/0265877 A1 11/2007 Rice et al.

* cited by examiner

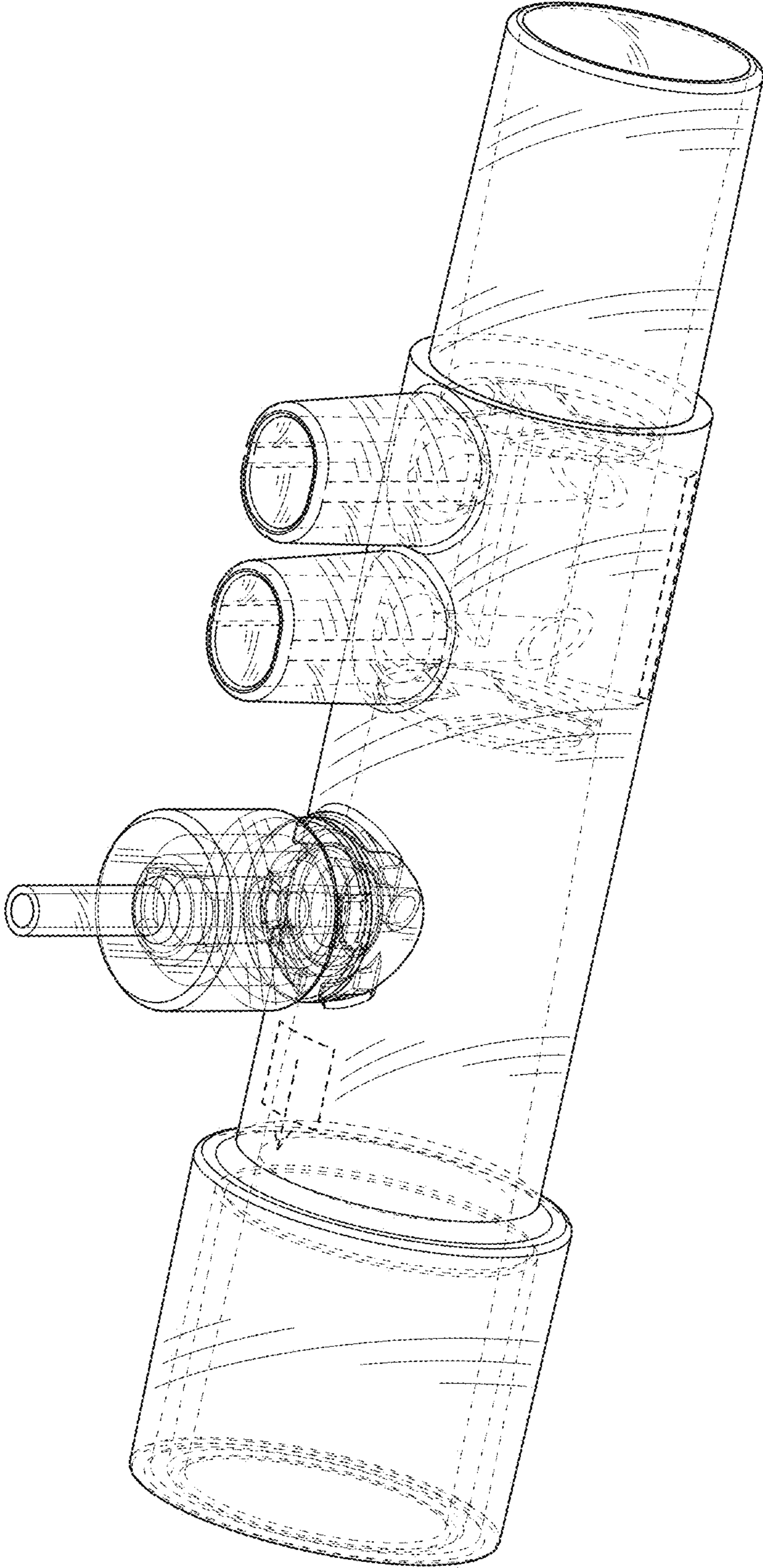


FIG. 1

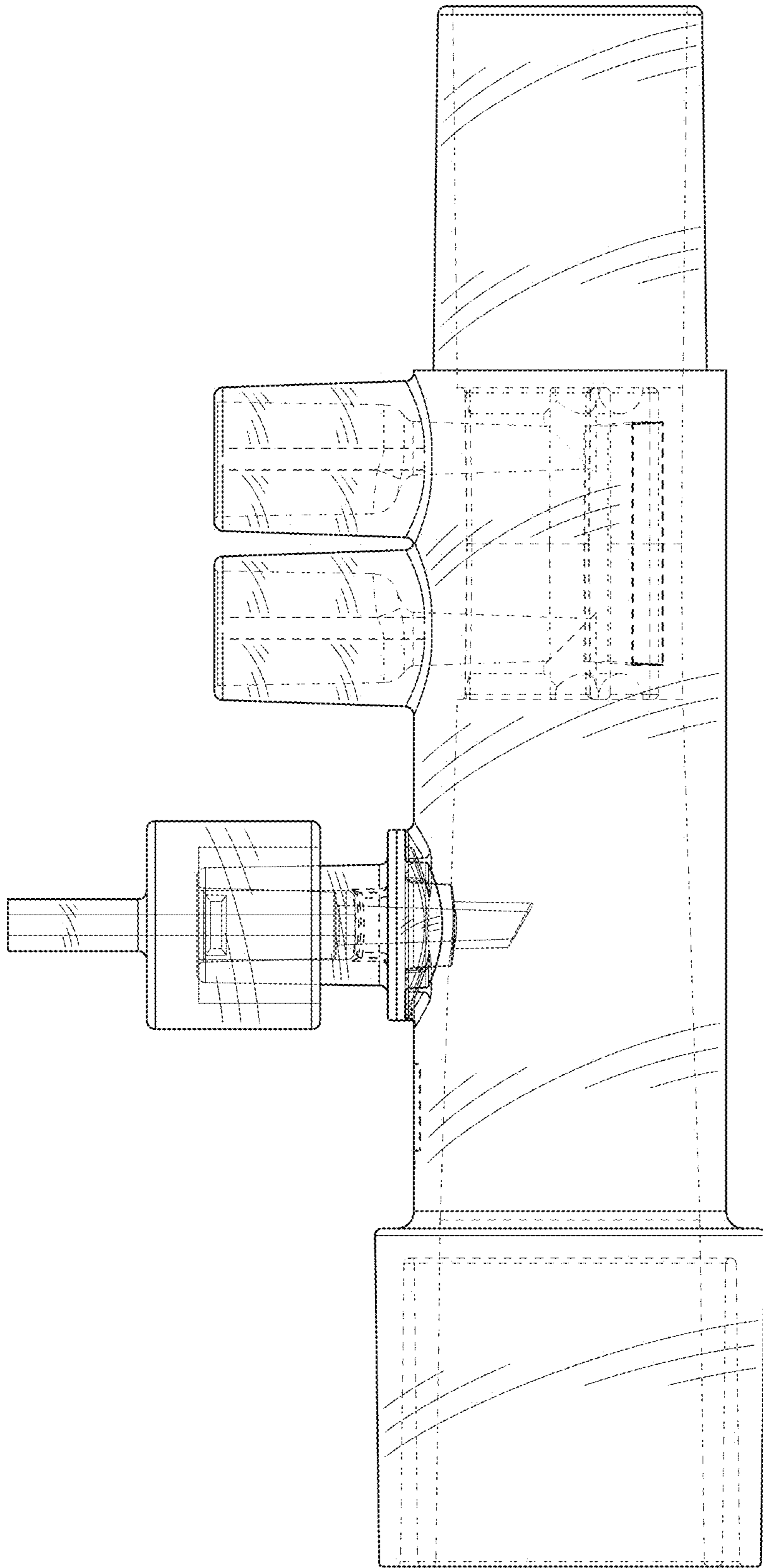


FIG. 2

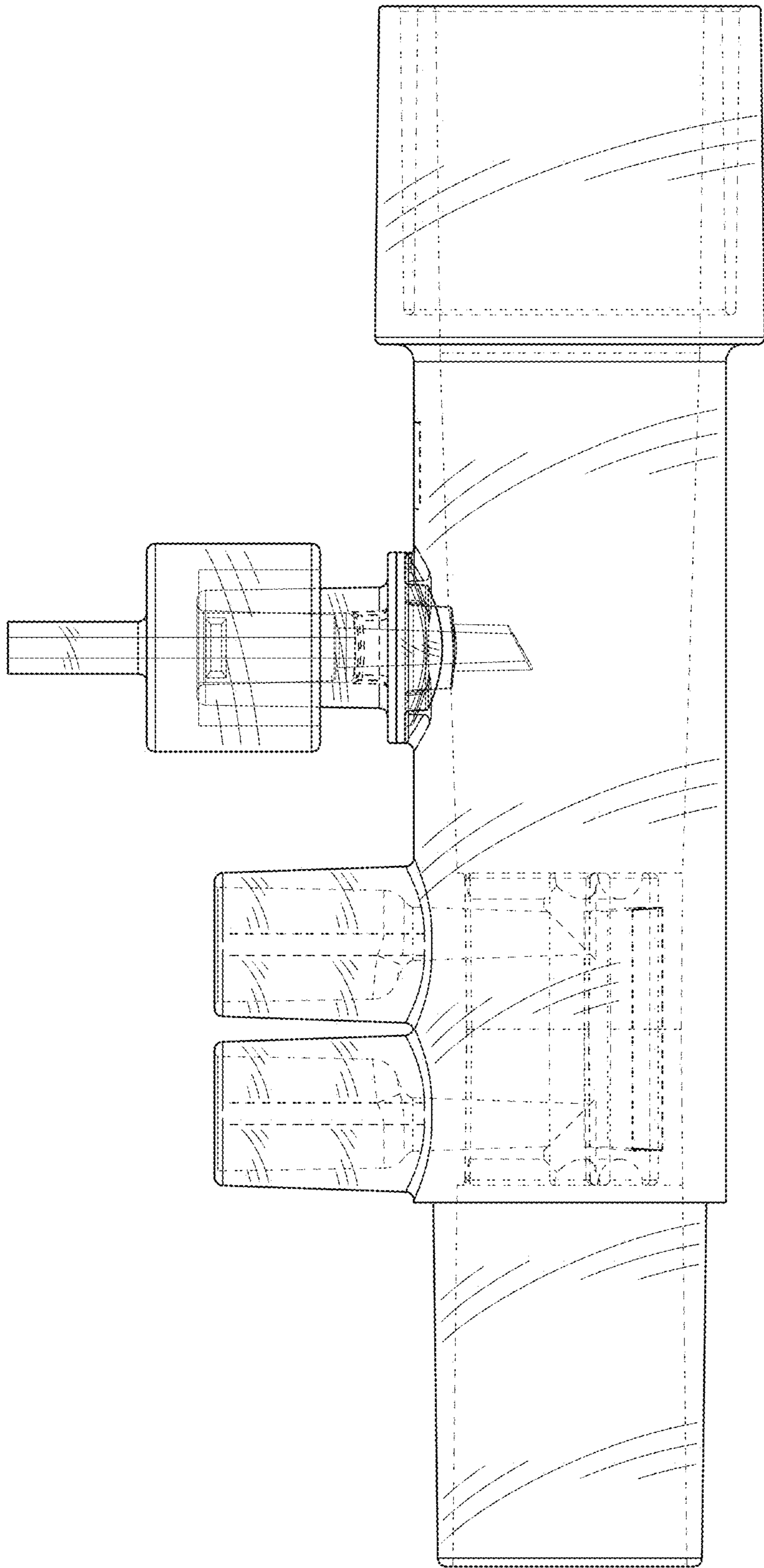


FIG. 3

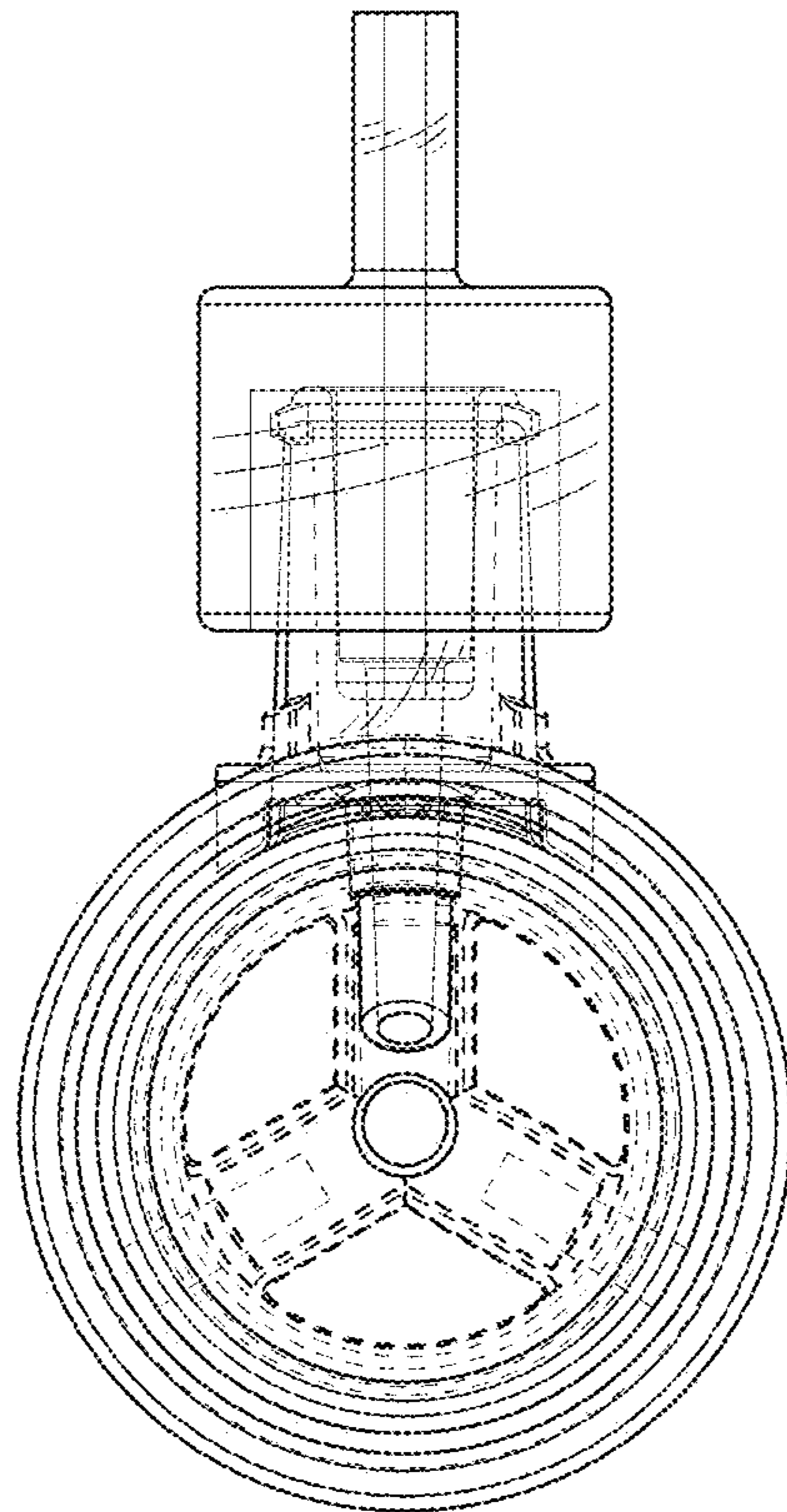


FIG. 4

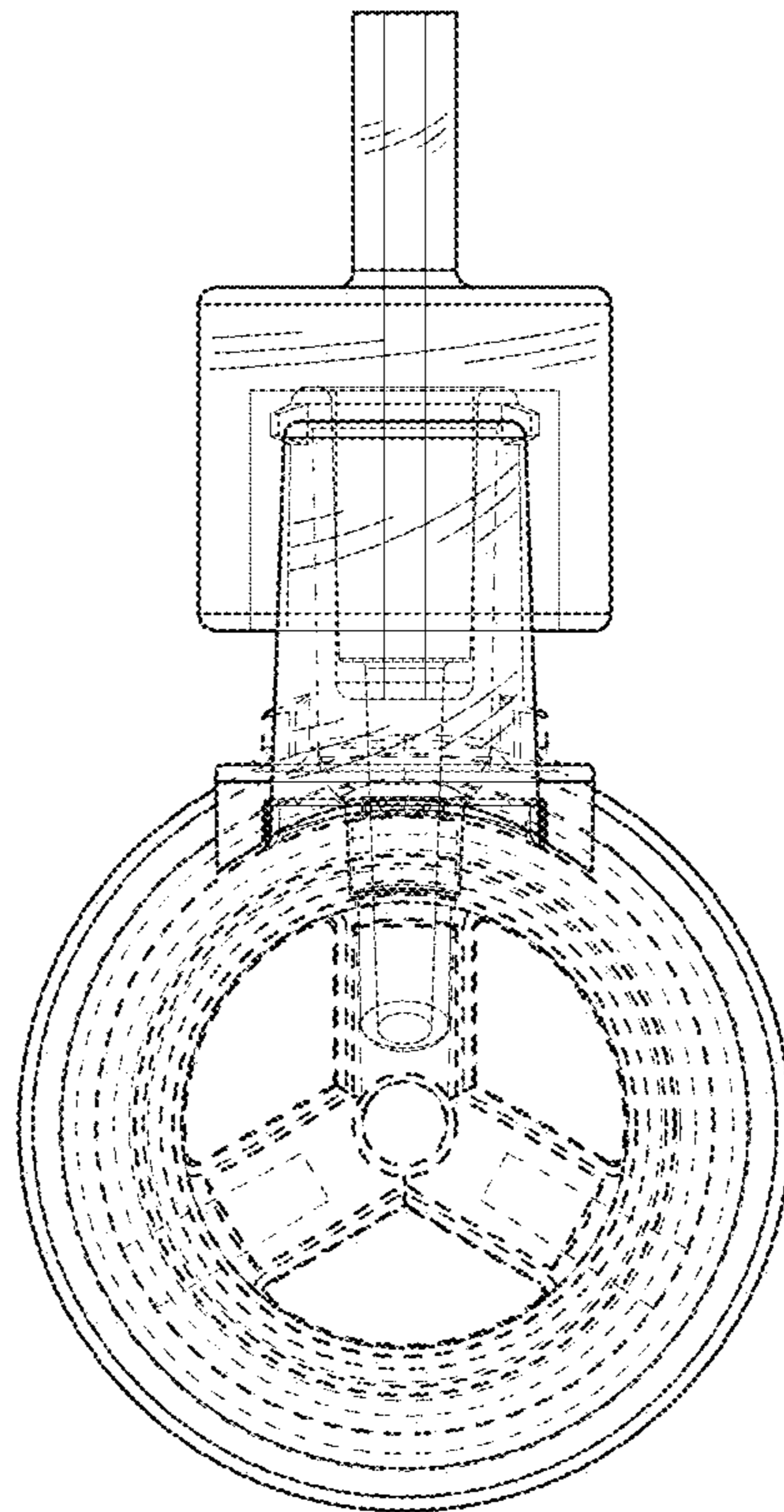


FIG. 5

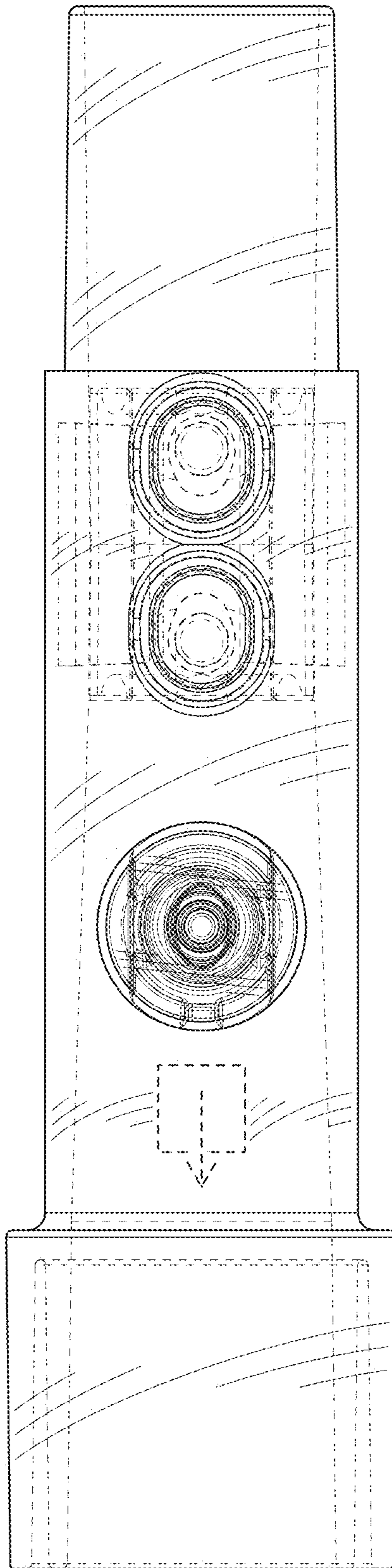


FIG. 6

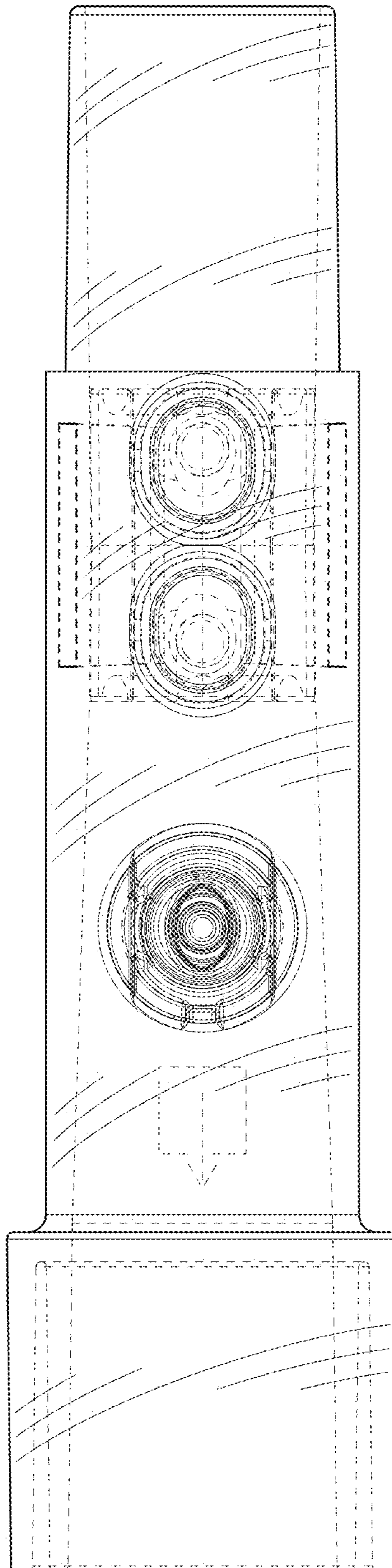


FIG. 7

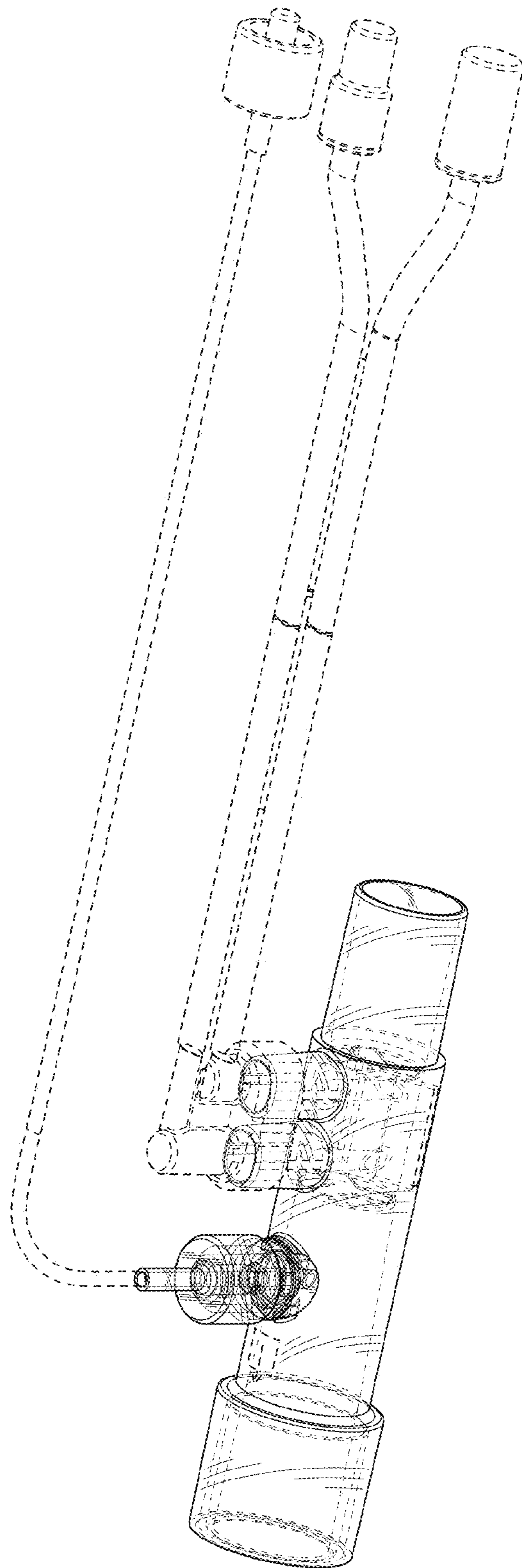


FIG. 8