



US00D950051S

(12) **United States Design Patent** (10) **Patent No.:** **US D950,051 S**  
**Harris et al.** (45) **Date of Patent:** **\*\* Apr. 26, 2022**

(54) **MEDICAL DEVICE INDICATOR**

FOREIGN PATENT DOCUMENTS

(71) Applicant: **Boston Scientific Scimed, Inc.**, Maple Grove, MN (US)

EP 3073889 A1 10/2016  
JP D1136651 S 3/2002

(Continued)

(72) Inventors: **Colby Harris**, Weston, MA (US);  
**Barry Weitzner**, Acton, MA (US);  
**Carolina Villarreal**, Hopedale, MA (US); **Brian Luis**, Worcester, MA (US)

OTHER PUBLICATIONS

International Search Report and Written Opinion for the International Patent Application No. PCT/US2020/031688, dated Nov. 8, 2020, 12 pages.

(Continued)

(73) Assignee: **Boston Scientific Scimed, Inc.**, Maple Grove, MN (US)

(\*\*) Term: **15 Years**

*Primary Examiner* — Nathan M Johnston

(21) Appl. No.: **29/710,006**

(74) *Attorney, Agent, or Firm* — Seager, Tufte & Wickhem LLP.

(22) Filed: **Oct. 18, 2019**

(51) **LOC (13) Cl.** ..... **24-01**

(57) **CLAIM**

(52) **U.S. Cl.**  
USPC ..... **D24/127; D20/28**

The ornamental design for an medical device indicator, as shown and described.

(58) **Field of Classification Search**  
USPC ..... D24/127–131, 112–114, 133, 186;  
606/181, 185; 604/264, 523–528, 272,  
604/187, 158, 164.01–164.11, 181, 184,  
604/227; 600/101, 139, 143;  
128/200.24, 207.14, 207.15; D8/396,  
D8/356; D6/300, 674; D12/193;  
D20/1–44, 99

**DESCRIPTION**

CPC ..... A61M 25/00; A61M 39/00; A61M 27/00;  
A61M 25/0043; A61M 5/0067; A61M  
25/0097; A61M 5/14; A61M 5/1411;  
A61M 2205/60; A61M 2205/6063; A61M  
2205/6072; A61M 2205/6081; A61F  
2/958; A62C 13/78; A47K 10/14; A47G  
25/0657

FIG. 1 is a top, front, right side perspective view of a medical device indicator showing an embodiment of our new designs;  
FIG. 2 is a front elevational view of the medical device indicator of FIG. 1;  
FIG. 3 is a back elevational view of the medical device indicator of FIG. 1;  
FIG. 4 is a right side elevational view of the medical device indicator of FIG. 1;  
FIG. 5 is a left side elevational view of the medical device indicator of FIG. 1;  
FIG. 6 is a top plan view of the medical device indicator of FIG. 1; and,  
FIG. 7 is a bottom plan view of the medical device indicator of FIG. 1.

See application file for complete search history.

The broken line show portions of the medical device indicator that form no part of the claimed design.

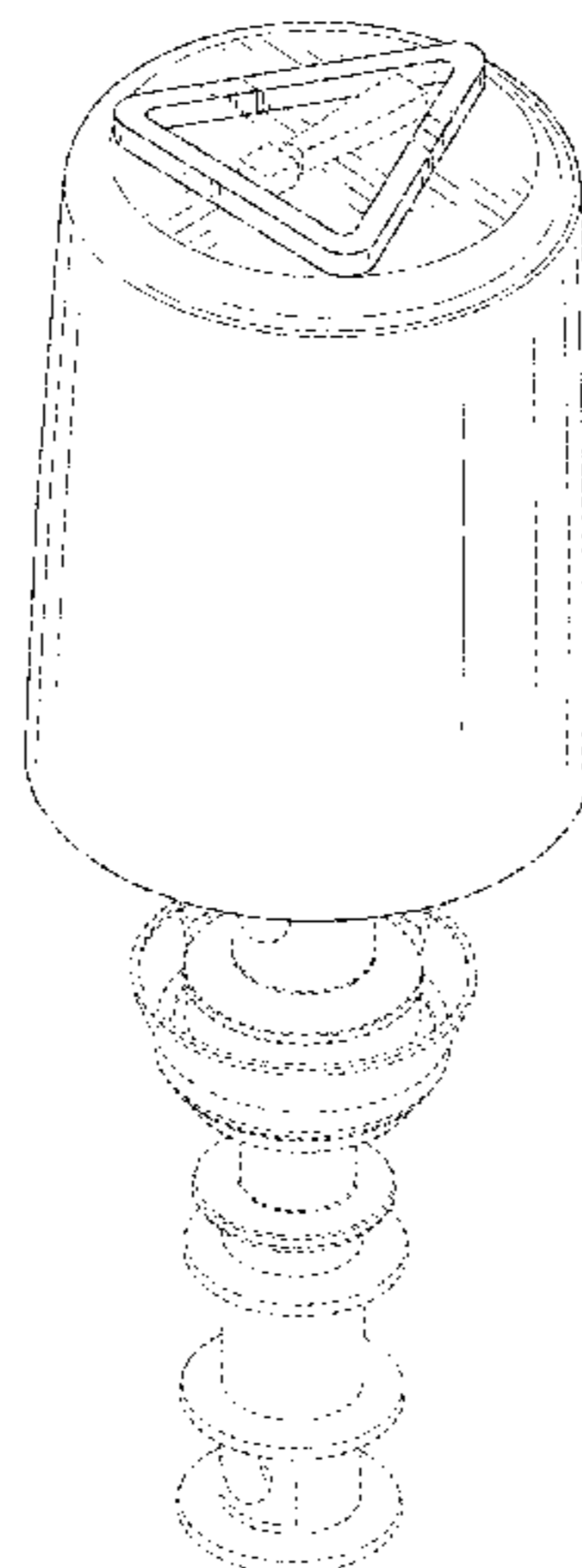
(56) **References Cited**

U.S. PATENT DOCUMENTS

4,361,138 A 11/1982 Kinoshita  
4,537,209 A 8/1985 Sasa

(Continued)

**1 Claim, 6 Drawing Sheets**



(56)

**References Cited**

U.S. PATENT DOCUMENTS

4,694,821 A 9/1987 Kondo  
 5,027,791 A 7/1991 Takahashi  
 D391,881 S \* 3/1998 Youseph ..... D10/113.4  
 D453,830 S \* 2/2002 McDowell ..... D24/108  
 6,346,075 B1 2/2002 Arai et al.  
 D611,599 S \* 3/2010 Eisenkolb ..... D24/138  
 D638,537 S \* 5/2011 Virr ..... D24/129  
 8,771,223 B2 \* 7/2014 Patton ..... A61B 17/3423  
 604/93.01  
 D749,742 S \* 2/2016 Ishibashi ..... D24/186  
 9,314,269 B2 \* 4/2016 Webb ..... A61B 17/3417  
 D779,636 S 2/2017 Gross  
 D855,795 S \* 8/2019 Ritter, III ..... D24/110.6  
 D861,161 S \* 9/2019 Schuessler ..... D24/129  
 D862,694 S \* 10/2019 Narvekar ..... D24/130  
 D885,571 S \* 5/2020 Haddad ..... D24/127  
 D923,196 S \* 6/2021 Fang ..... D24/216  
 2013/0276338 A1 10/2013 Amaral  
 2013/0303844 A1 11/2013 Grudo et al.

2014/0207100 A1\* 7/2014 Webb ..... A61B 17/3462  
 604/506  
 2015/0144215 A1 5/2015 Bellofatto et al.  
 2017/0143194 A1 5/2017 Wolfe  
 2017/0347860 A1 12/2017 Still et al.

FOREIGN PATENT DOCUMENTS

JP 2006056508 A 3/2006  
 JP 2018514448 A 6/2018  
 WO 03030962 A2 4/2003  
 WO 2013142211 A1 9/2013  
 WO 2019226307 A1 11/2019  
 WO 2020014376 A1 1/2020

OTHER PUBLICATIONS

International Search Report and Written Opinion for the International Patent Application No. PCT/US2020/031687, dated Feb. 9, 2020, 13 pages.

\* cited by examiner

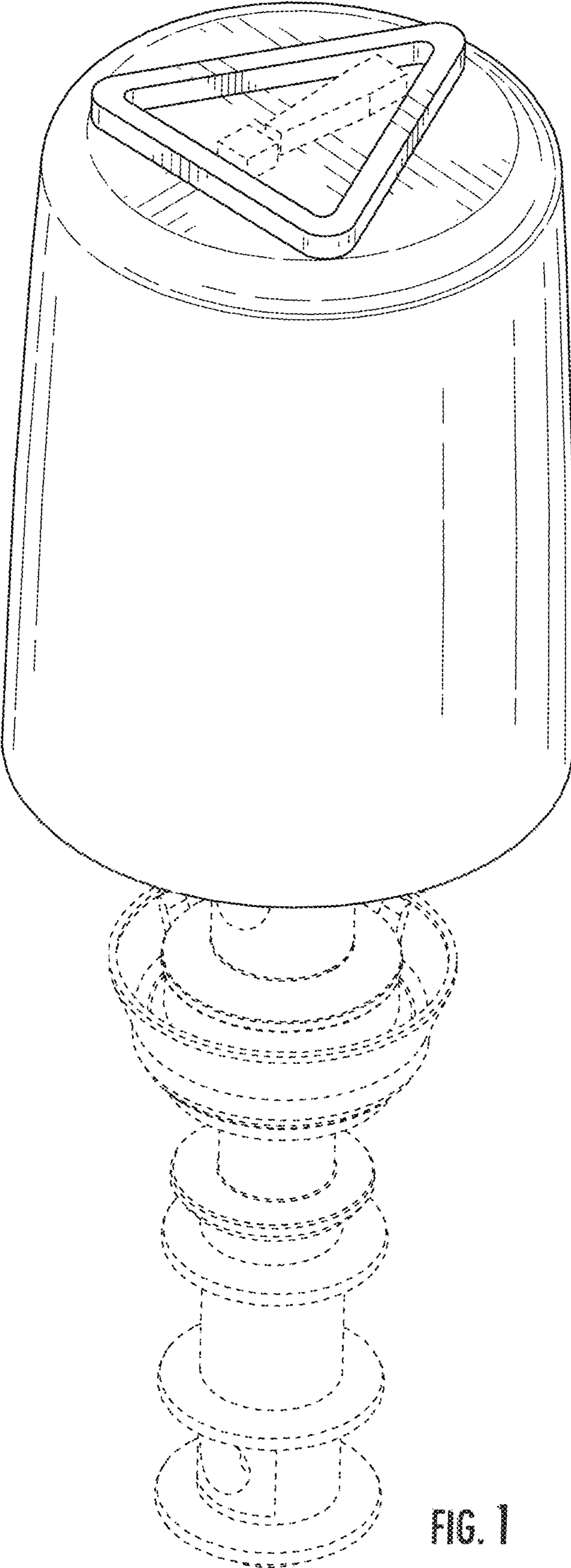


FIG. 1

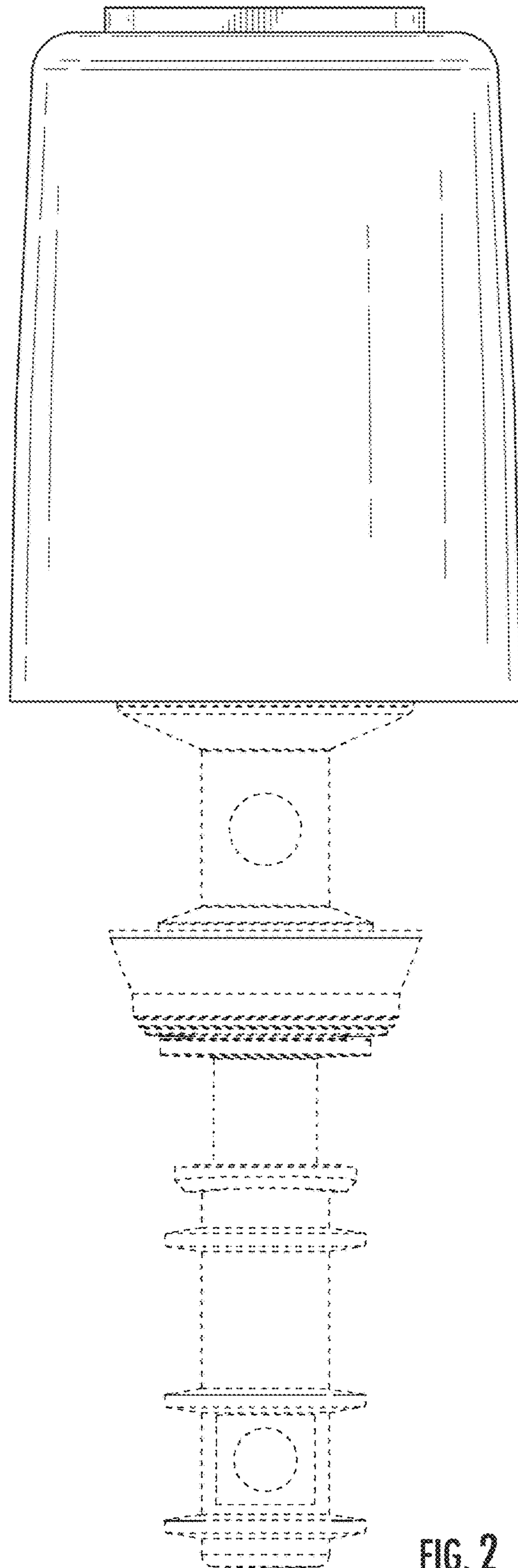


FIG. 2

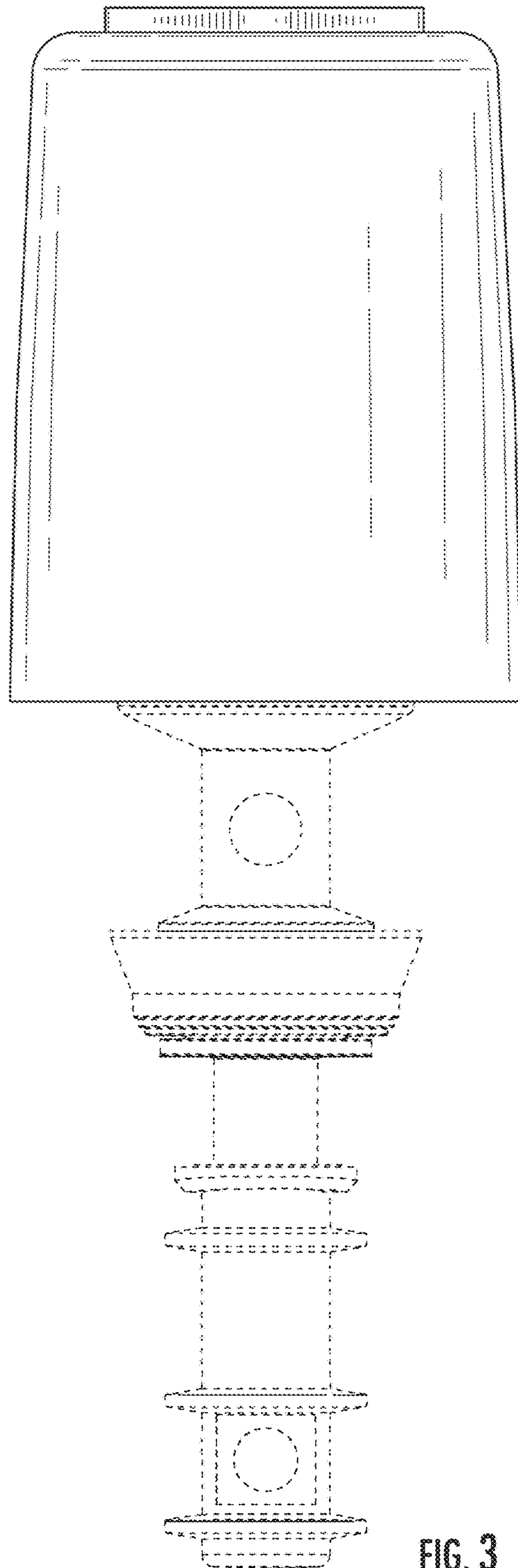


FIG. 3



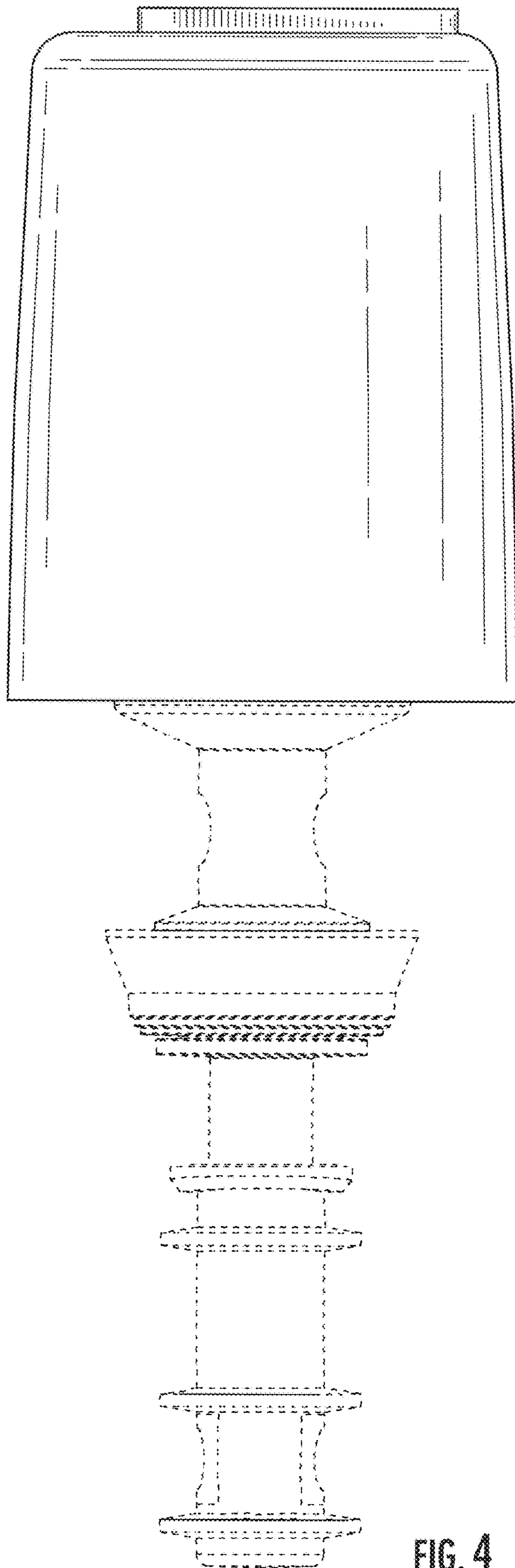


FIG. 4

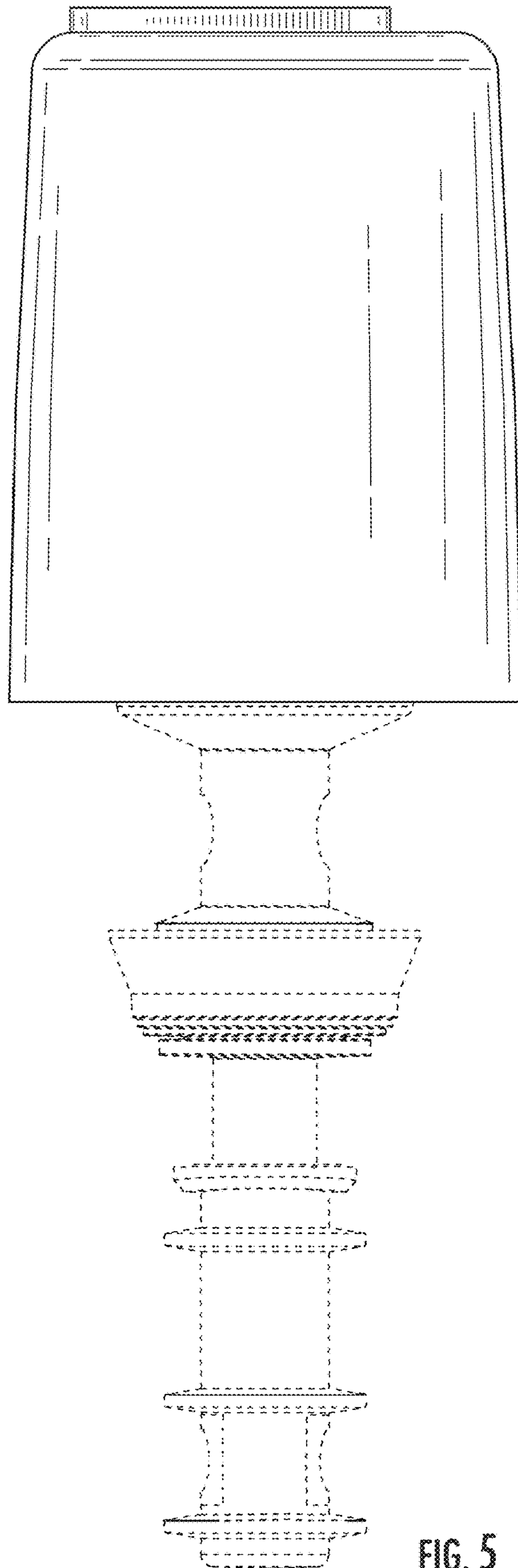


FIG. 5

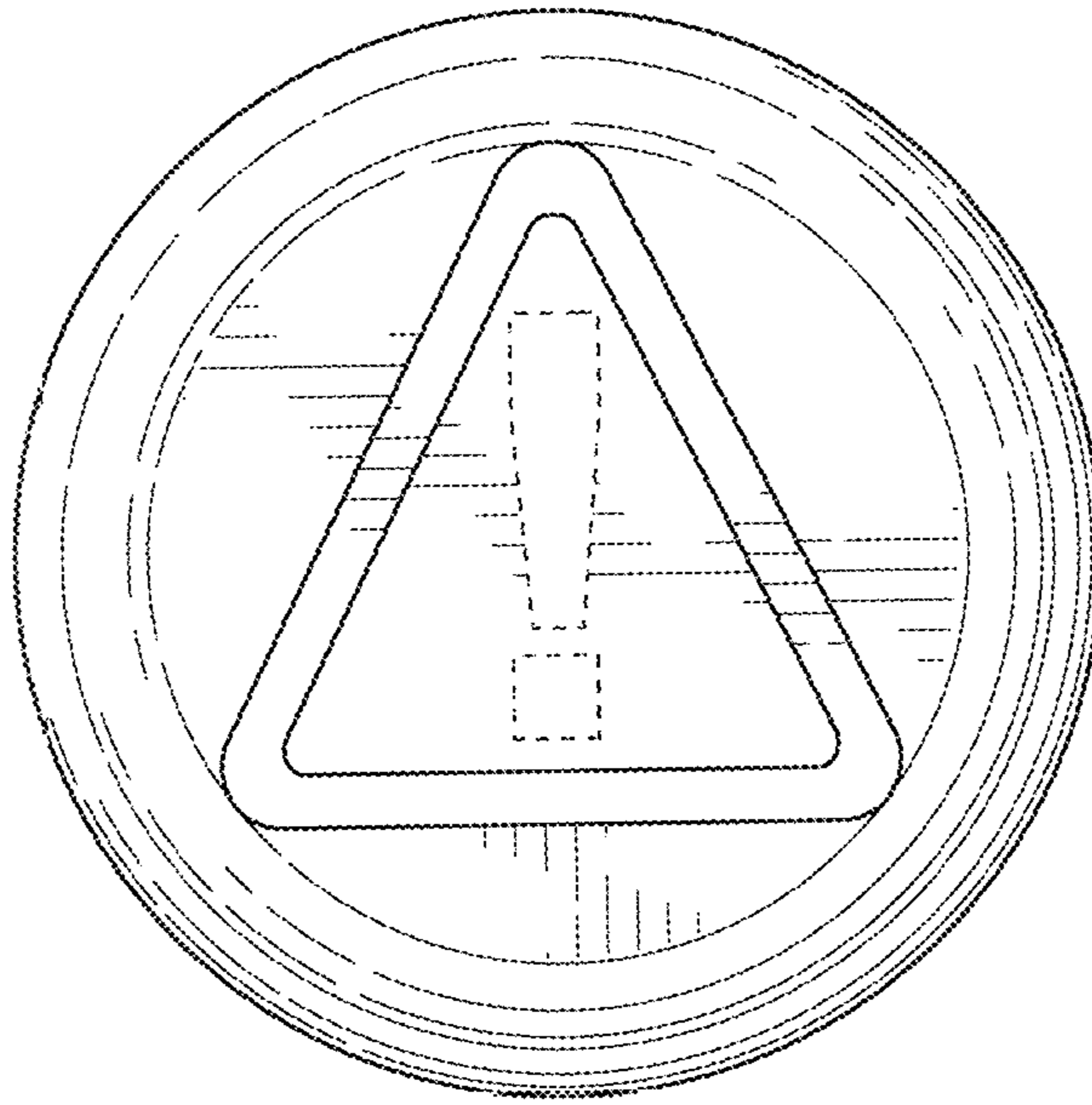


FIG. 6

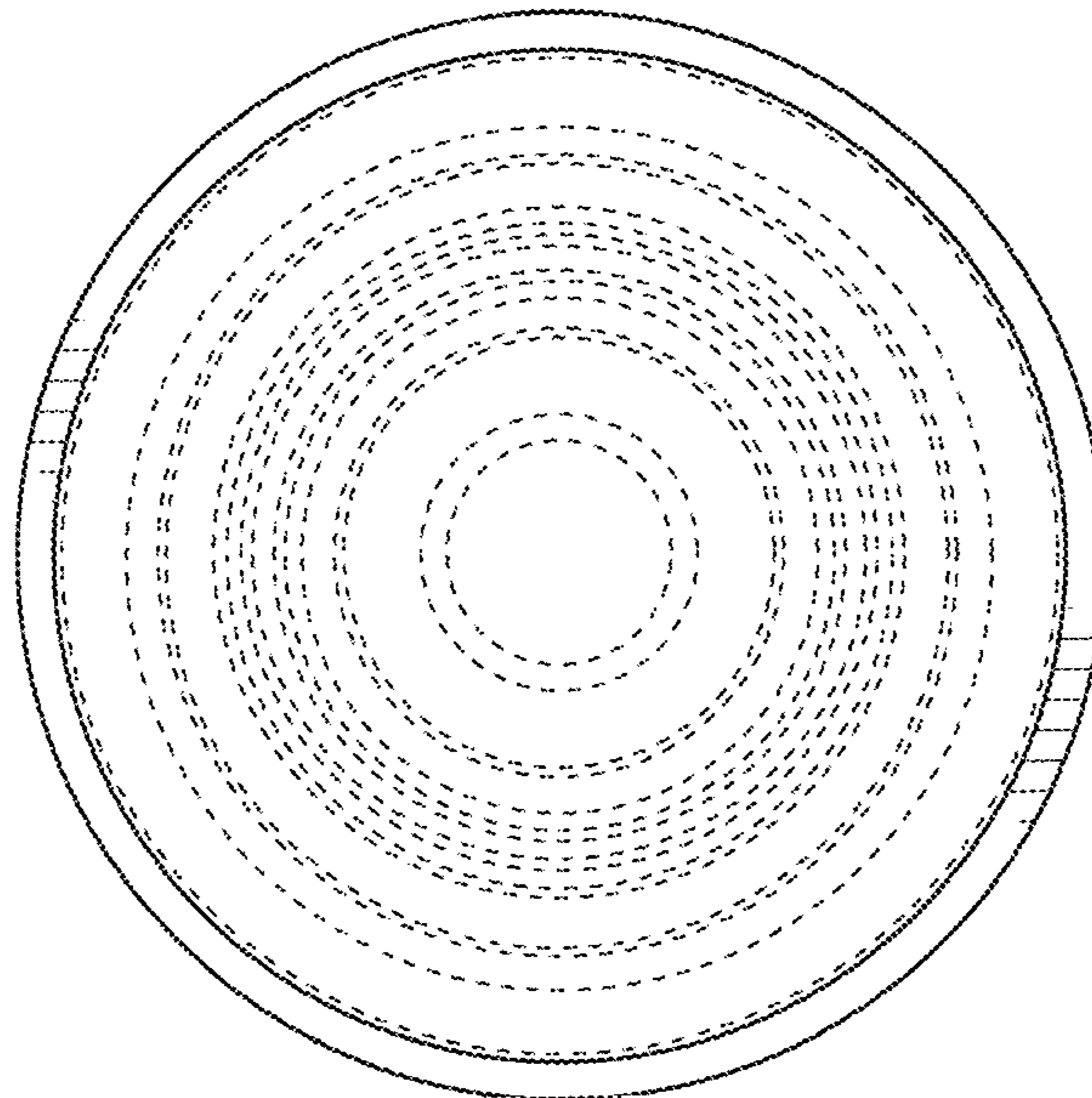


FIG. 7