



US00D950048S

(12) **United States Design Patent**
Porkert

(10) **Patent No.:** **US D950,048 S**

(45) **Date of Patent:** **** Apr. 26, 2022**

(54) **SYRINGE INJECTION GUN**
(71) Applicant: **Angela Bodmann**, Bobingen (DE)
(72) Inventor: **Stefan Porkert**, Augsburg (DE)
(**) Term: **15 Years**
(21) Appl. No.: **35/511,151**
(22) Filed: **Jul. 9, 2020**

D303,010 S * 8/1989 Jabbusch D24/114
5,137,514 A * 8/1992 Ryan A61M 25/104
604/99.01
D335,344 S * 5/1993 Hastings D24/114
D341,760 S * 11/1993 Armbruster D24/108
D363,777 S * 10/1995 Rees D24/113
D369,657 S * 5/1996 McGugan D24/113
D640,368 S * 6/2011 Fujioka D24/113
D759,244 S * 6/2016 Leugers D24/146
D802,759 S * 11/2017 Guala D24/129
D851,756 S * 6/2019 Lee D24/114
D878,568 S * 3/2020 Yim D24/114

(80) **Hague Agreement Data**

Int. Filing Date: **Jul. 9, 2020**
Int. Reg. No.: **DM/211984**
Int. Reg. Date: **Jul. 9, 2020**
Int. Reg. Pub. Date: **Jan. 15, 2021**

(51) **LOC (13) Cl.** **24-02**
(52) **U.S. Cl.**
USPC **D24/114**

(58) **Field of Classification Search**
USPC D24/112-115, 129-131, 133, 137, 140,
D24/141, 144, 146, 147
CPC A61M 5/178; A61M 5/20; A61M 5/31;
A61M 5/3146; A61M 5/3129; A61M
5/3148; A61M 5/315; A61M 3/00
See application file for complete search history.

(56) **References Cited**

U.S. PATENT DOCUMENTS

D208,610 S * 9/1967 Parisi D24/113
3,538,916 A * 11/1970 Groff A61M 37/0069
604/63
D263,635 S * 3/1982 Wendt D24/114

OTHER PUBLICATIONS

DH Gate. NEW 5 pin 9 pin nano syringe needle for meso injector mesotherapy gun injector water mesotherapy needles injection mesogun needles. No date specified. <https://www.dhgate.com/product/new-5-pin-9-pin-nano-syringe-needle-for-meso/497538152.html> (Year: 0).*

* cited by examiner

Primary Examiner — Darcey E Gottschalk

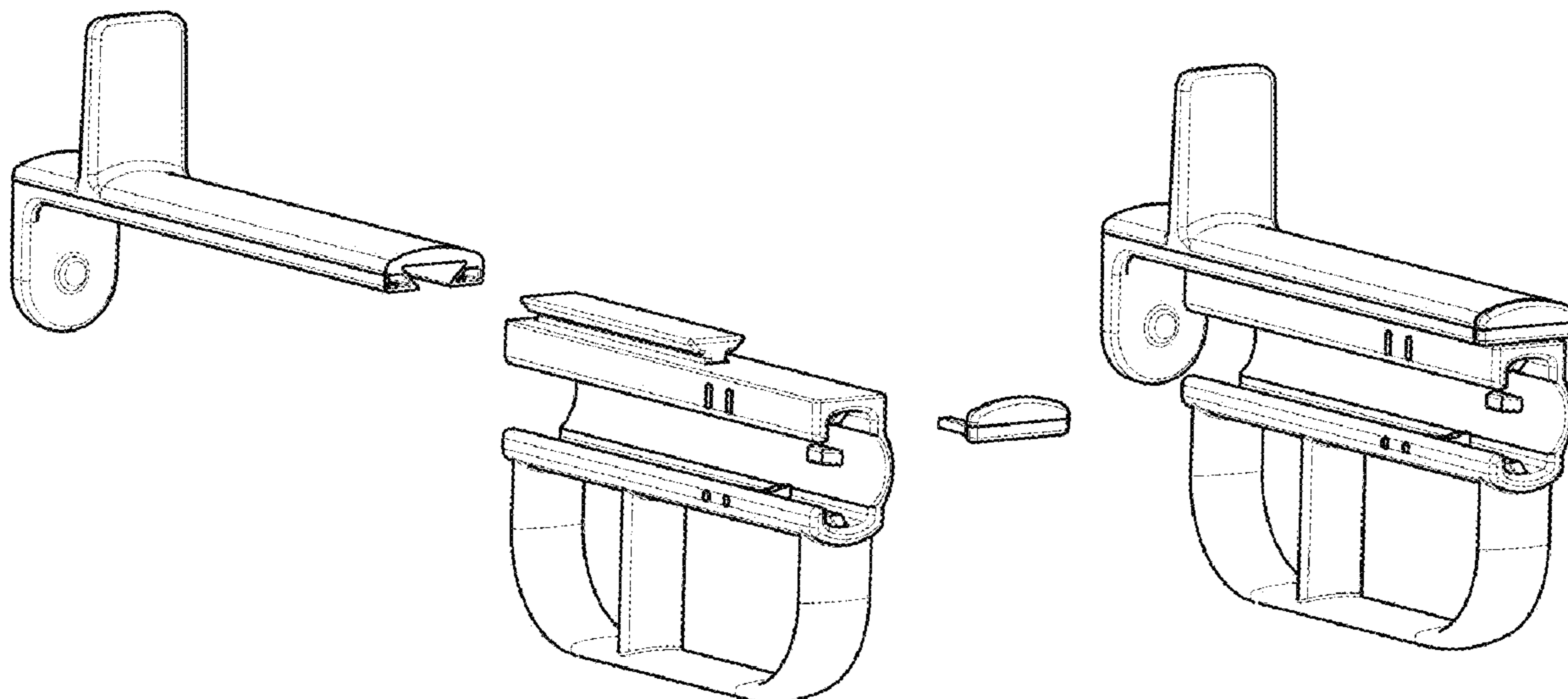
(57) **CLAIM**

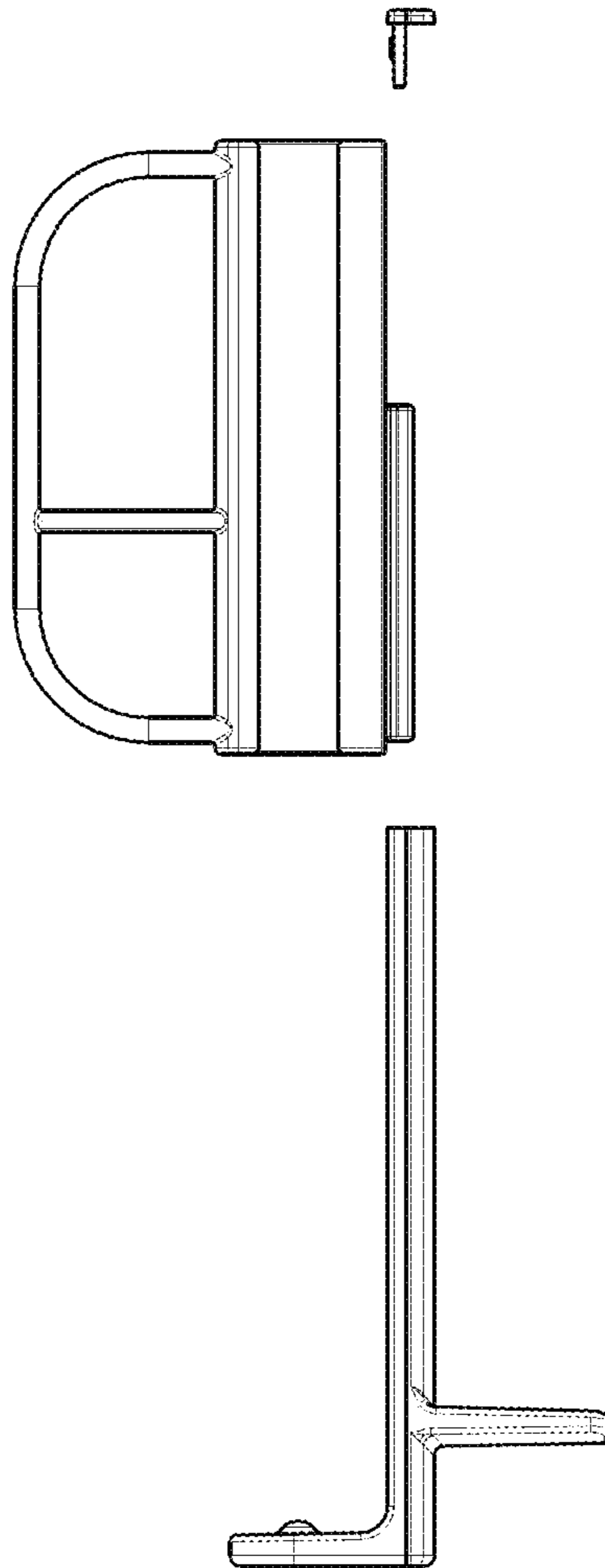
The ornamental design for a syringe injection gun, as shown and described.

DESCRIPTION

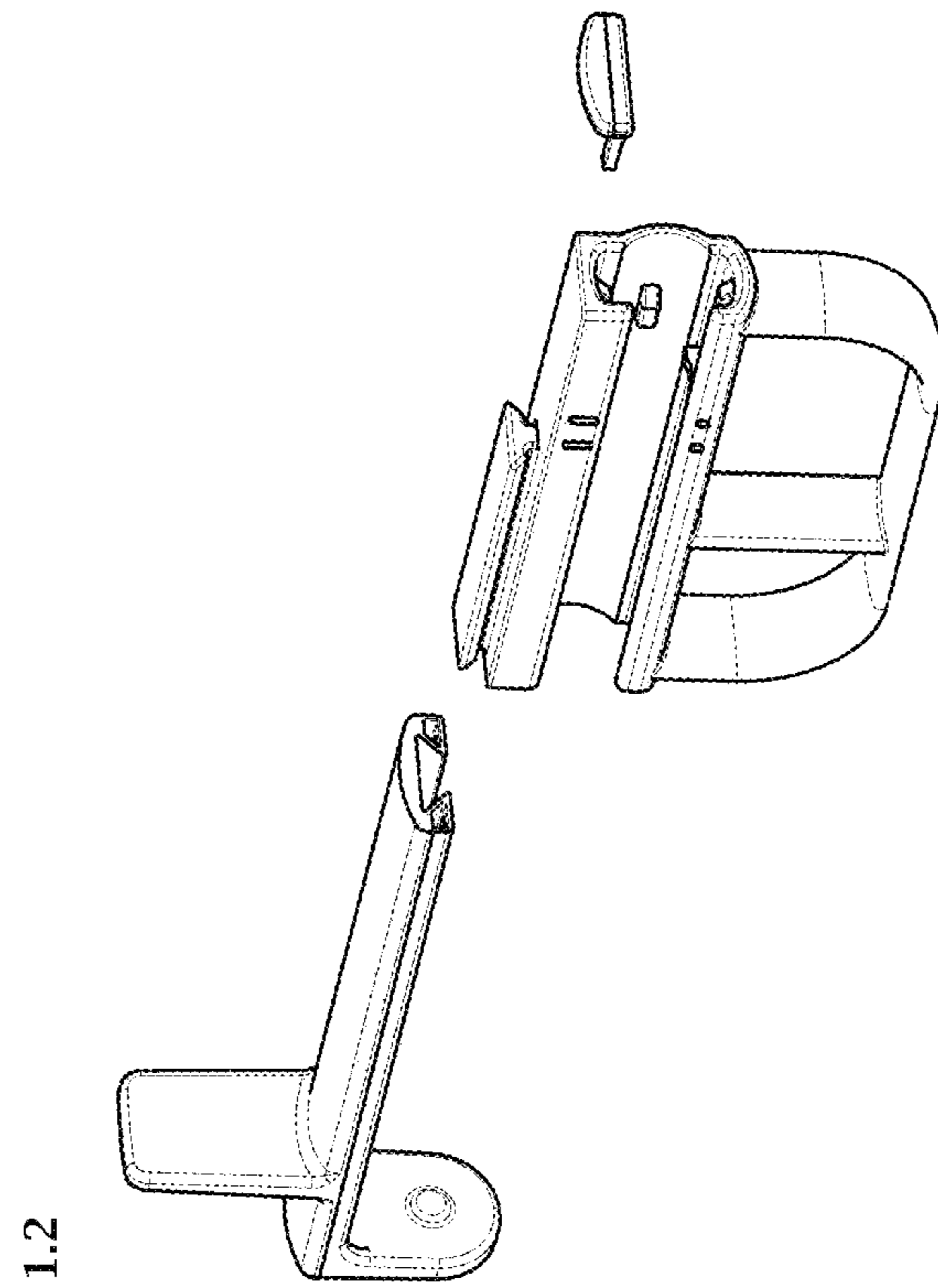
- 1. Syringe injection gun
- 1.1 : Exploded
- 1.2 : Exploded
- 1.3 : Perspective
- 1.4 : Perspective

1 Claim, 4 Drawing Sheets

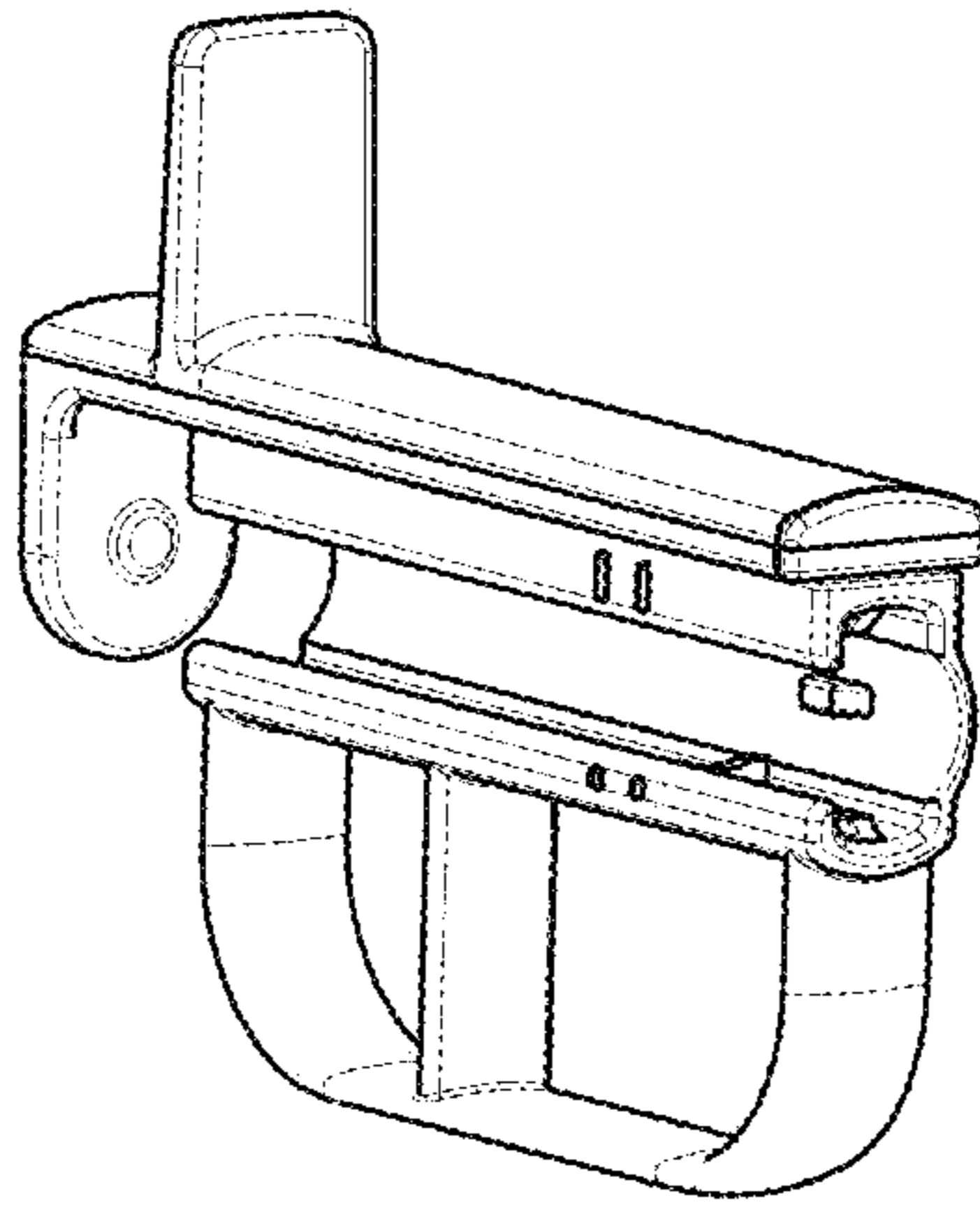




1.1



1.3



1.4

