

US00D950047S

(12) **United States Design Patent**
Norihiko et al.

(10) **Patent No.:** **US D950,047 S**

(45) **Date of Patent:** **** Apr. 26, 2022**

(54) **SYRINGE**

CPC .. A61M 5/3134; A61M 5/178; A61M 5/3129;
A61M 5/3245; A61M 5/28; A61M
5/31513; A61M 5/3293; A61M 5/34
See application file for complete search history.

(71) Applicant: **Merz Pharmaceuticals GmbH**,
Frankfurt am Main (DE)

(72) Inventors: **Inoue Norihiko**, London (GB);
Norbert Kaspers, Schnaittenbach (DE);
Simon Simon, Wiesbaden (DE); **Uwe**
Wortmann, Marburg (DE); **Jonathan**
Mason, St. Albans (GB); **Michael**
Kunz, Münster (DE)

(56) **References Cited**

U.S. PATENT DOCUMENTS

D754,331 S *	4/2016	Wargner	D24/112
D755,955 S *	5/2016	Kawamura	D24/112
D872,259 S *	1/2020	Guo	A61M 5/3294
				D24/114
D889,639 S *	7/2020	Johnson	D24/114
D892,313 S *	8/2020	Lin	D24/114

* cited by examiner

Primary Examiner — Calvin E Vansant

(74) *Attorney, Agent, or Firm* — Gregory L. Mayback

(57) **CLAIM**

The ornamental design for a syringe, as shown and described.

DESCRIPTION

9. Syringe

FIG. 9.1 is a front elevation view of a syringe showing our new design; and

FIG. 9.2 is a left side elevation view thereof.

The broken lines shown in the figures depict portions of the syringe that form no part of the claimed design.

1 Claim, 1 Drawing Sheet

(**) Term: **15 Years**

(21) Appl. No.: **35/507,725**

(22) Filed: **Jun. 14, 2019**

(80) **Hague Agreement Data**

Int. Filing Date: **Jun. 14, 2019**

Int. Reg. No.: **DM/203899**

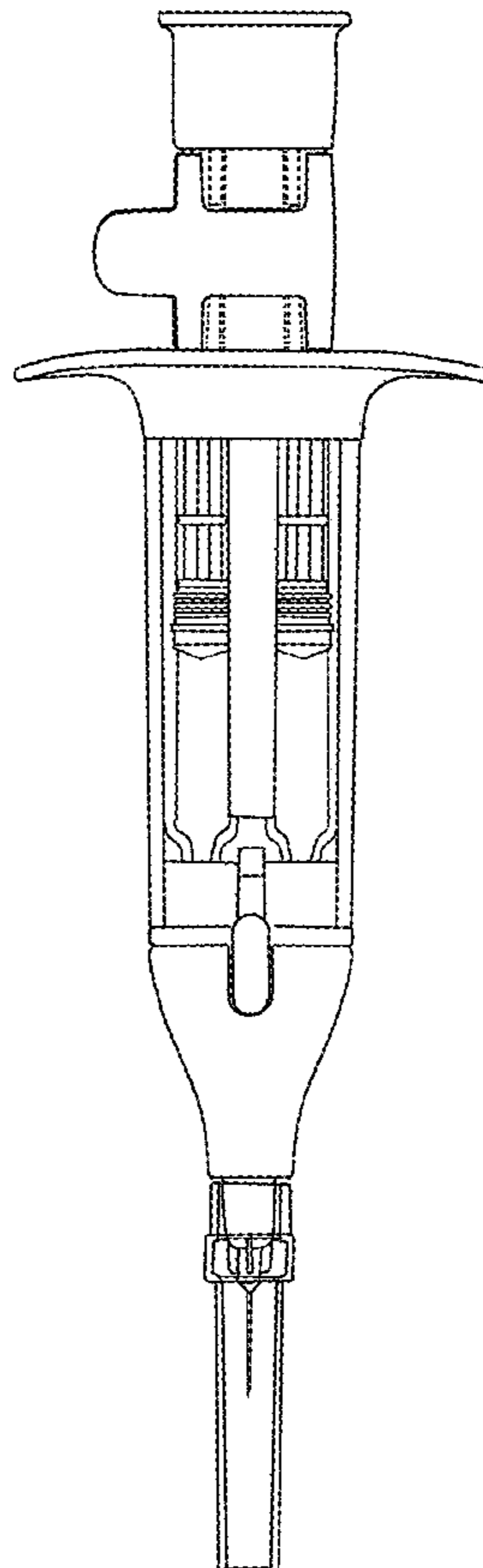
Int. Reg. Date: **Jun. 14, 2019**

Int. Reg. Pub. Date: **Nov. 15, 2019**

(51) **LOC (13) Cl.** **24-02**

(52) **U.S. Cl.**
USPC **D24/113**

(58) **Field of Classification Search**
USPC D24/216, 222, 114, 112, 130, 113



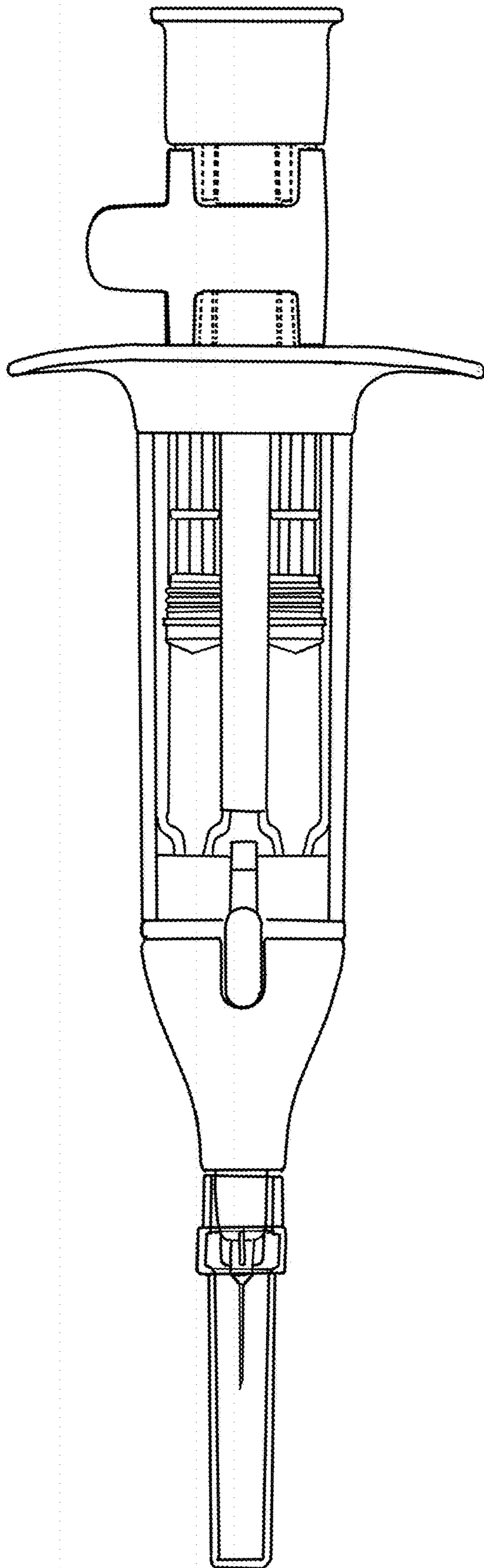


FIG. 9.1

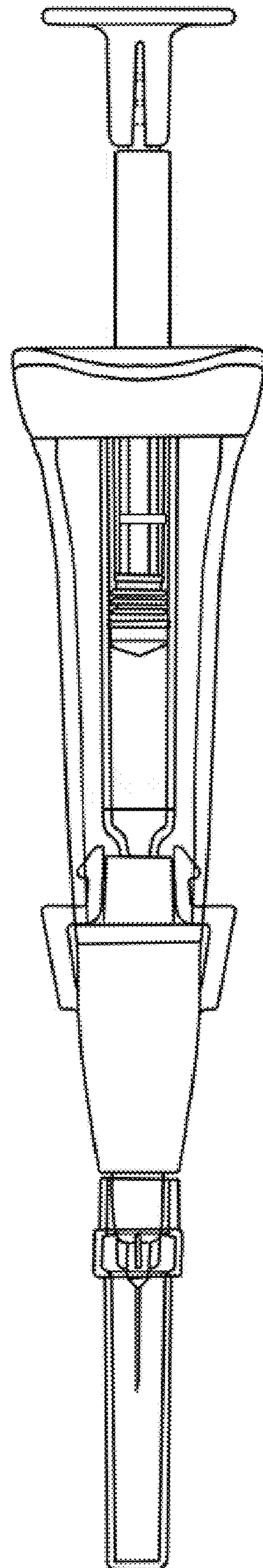


FIG. 9.2

UNITED STATES PATENT AND TRADEMARK OFFICE
CERTIFICATE OF CORRECTION

PATENT NO. : D950,047 S
APPLICATION NO. : 35/507725
DATED : April 26, 2022
INVENTOR(S) : Norihiko et al.

Page 1 of 1

It is certified that error appears in the above-identified patent and that said Letters Patent is hereby corrected as shown below:

On the Title Page

Item (72) For the third-named inventor, please change "Simon Simon" to -- Simon Schmitt --

Signed and Sealed this
Twenty-third Day of August, 2022
Katherine Kelly Vidal

Katherine Kelly Vidal
Director of the United States Patent and Trademark Office