



US00D950045S

(12) **United States Design Patent**  
**Black, III**

(10) **Patent No.:** **US D950,045 S**

(45) **Date of Patent:** **\*\* Apr. 26, 2022**

- (54) **CANNULA RELEASE DEVICE**
- (71) Applicant: **Black & Black Surgical, Inc.**, Atlanta, GA (US)
- (72) Inventor: **Norman M. Black, III**, Atlanta, GA (US)
- (73) Assignee: **Black & Black Surgical, Inc.**, Tucker, GA (US)

- (\*\*) Term: **15 Years**
- (21) Appl. No.: **29/730,404**
- (22) Filed: **Apr. 3, 2020**

- (51) **LOC (13) Cl.** ..... **24-02**
- (52) **U.S. Cl.**  
USPC ..... **D24/112; D24/127**
- (58) **Field of Classification Search**  
USPC ..... D24/112, 129, 137, 138, 206, 108, 127;  
D8/382; D13/133; 348/75; 600/131,  
600/459, 132, 174, 461, 462; 604/523  
CPC ..... A61M 16/0465; A61M 16/0427; A61M  
16/0488; A61M 16/08; A61M 16/0434;  
A61M 2202/08; A61M 1/84; Y10S  
604/902; A61B 17/320068; A61B  
2017/32007

See application file for complete search history.

(56) **References Cited**

**U.S. PATENT DOCUMENTS**

- 3,900,184 A \* 8/1975 Burke ..... A61M 39/286  
251/6
- D243,635 S \* 3/1977 Miller ..... D24/129
- D283,641 S \* 4/1986 Spetzler ..... D24/129
- D353,198 S \* 12/1994 Blasdel ..... D24/129
- D371,340 S \* 7/1996 Suzuki ..... D13/123
- 5,651,773 A \* 7/1997 Perry ..... A61M 39/0247  
604/174
- D415,102 S \* 10/1999 Suzuki ..... D13/133
- D456,356 S \* 4/2002 Togashi ..... D13/133

- 6,394,973 B1 \* 5/2002 Cucin ..... A61B 17/32002  
604/22
- D461,771 S \* 8/2002 Zhao ..... D13/133
- D481,125 S \* 10/2003 Hayamizu ..... D24/129
- D482,657 S \* 11/2003 Lai ..... D13/133
- D497,428 S \* 10/2004 Hayamizu ..... D24/129
- D534,655 S \* 1/2007 Iranyi ..... D24/138
- D546,946 S \* 7/2007 Blake ..... D24/129

(Continued)

**OTHER PUBLICATIONS**

[Microaire®-Type Power Cannula], available onblackandblacksurgical.com, Jun. 2020 [online], [site visited Nov. 26, 2021], Internet URL: <[https://blackandblacksurgical.s3.amazonaws.com/PI+sheets/25-3024\\_MicroAirePI\\_Sheet-FINAL-R2.pdf](https://blackandblacksurgical.s3.amazonaws.com/PI+sheets/25-3024_MicroAirePI_Sheet-FINAL-R2.pdf)>. (Year: 2020).\*

(Continued)

*Primary Examiner* — Jonathan J Han

*Assistant Examiner* — Amanda J Berlinski

(74) *Attorney, Agent, or Firm* — Walter A. Rogers

(57) **CLAIM**

The ornamental design for a cannula release device, as shown and described.

**DESCRIPTION**

FIG. 1 is a top perspective view of a cannula release device showing my new design;

FIG. 2 is a front elevation view thereof, the rear being a mirror image thereof;

FIG. 3 is a top plan view thereof;

FIG. 4 is a left-side elevation view thereof;

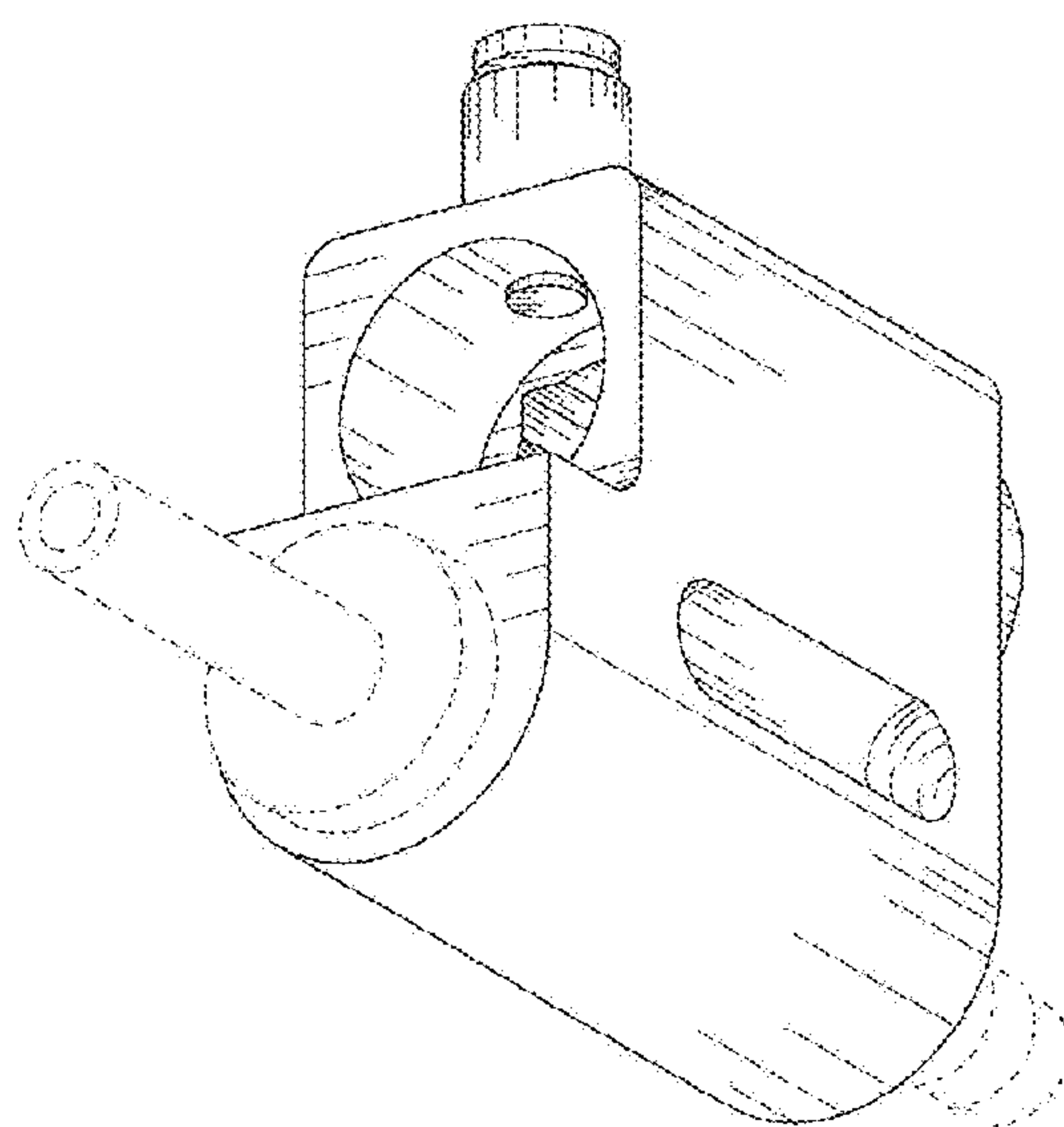
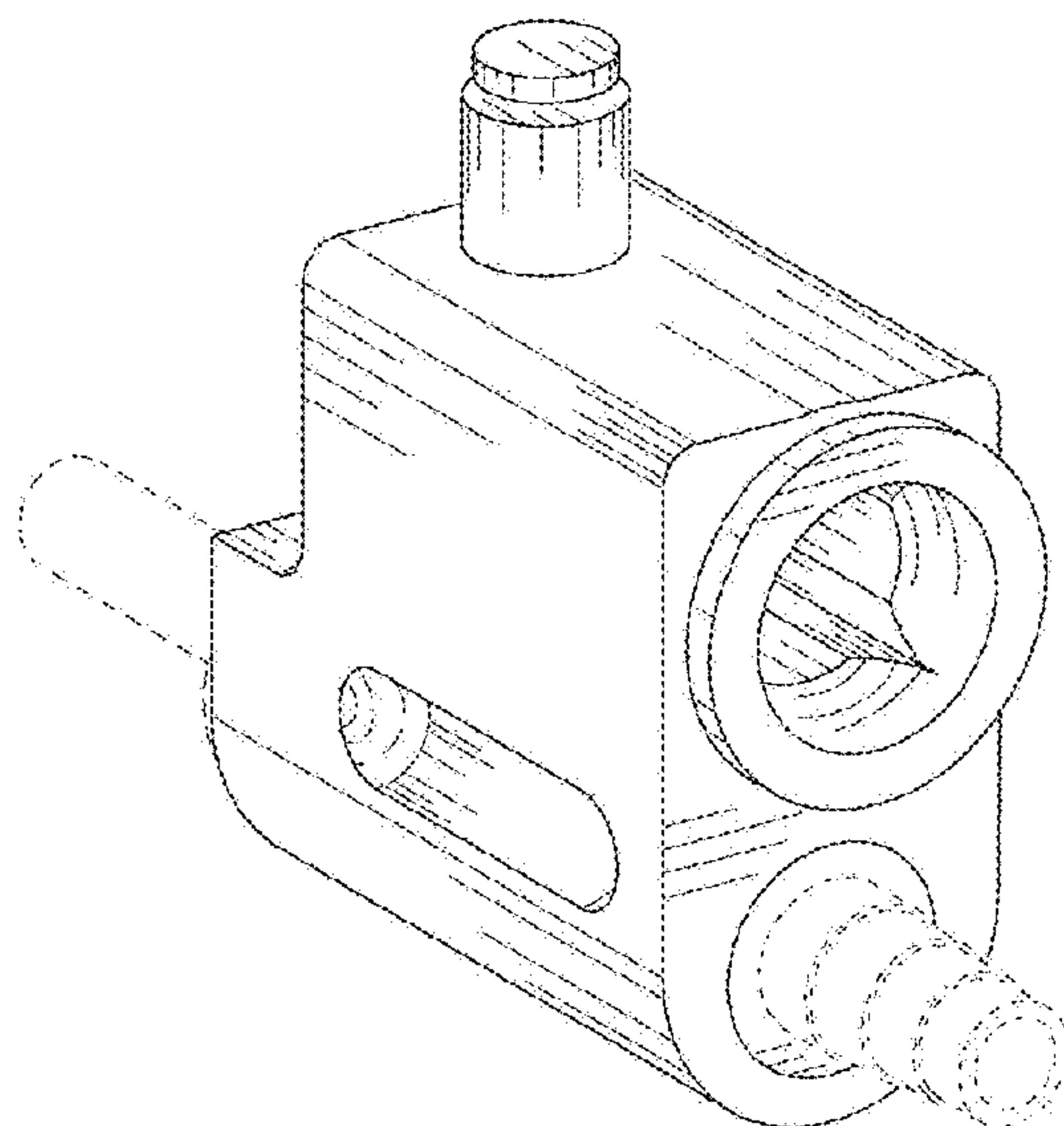
FIG. 5 is a right-side elevation view thereof;

FIG. 6 is a bottom plan thereof; and,

FIG. 7 is a bottom perspective view thereof.

The broken lines are included for the purpose of illustrating portions of the cannula release device that form no part of the claimed design.

**1 Claim, 4 Drawing Sheets**



(56)

**References Cited**

U.S. PATENT DOCUMENTS

D553,083 S \* 10/2007 Han ..... D13/133  
 D559,193 S \* 1/2008 Stavoe ..... D13/133  
 D596,569 S \* 7/2009 Lin ..... D13/133  
 D614,769 S \* 4/2010 Vogel ..... D24/138  
 D616,821 S \* 6/2010 The ..... D13/133  
 D619,709 S \* 7/2010 Scholly ..... A61B 17/32002  
 D678,512 S \* 3/2013 Bow ..... D24/112  
 D721,036 S \* 1/2015 Kreitzer ..... D13/133  
 D722,156 S \* 2/2015 Wiegel ..... D24/112  
 D781,236 S \* 3/2017 Esses ..... D13/144  
 D834,186 S \* 11/2018 Lombardi, III .... H04N 5/23203  
 D850,615 S \* 6/2019 Chung ..... A61M 25/0147  
 D884,892 S \* 5/2020 Hulford ..... D24/145  
 D928,711 S \* 8/2021 Kunzendorf ..... D13/133  
 2003/0125681 A1\* 7/2003 Fard ..... A61M 1/84  
 2005/0203485 A1\* 9/2005 Lee ..... A61M 25/0147

2010/0128114 A1\* 5/2010 Cheung ..... H04N 5/23203  
 348/65  
 2011/0065991 A1\* 3/2011 Sarvazyan ..... A61B 1/31  
 600/131  
 2015/0085093 A1\* 3/2015 Heni ..... A61B 1/04  
 348/65  
 2020/0230340 A1\* 7/2020 Cheyne ..... A61M 16/0488  
 2020/0323550 A1\* 10/2020 Khouri ..... A61B 17/32002

OTHER PUBLICATIONS

[MicroAire PAL—Power-Assisted Liposuction], YouTube.com, Posted Jul. 13, 2016 [online], [Site Visited Nov. 26, 2021], URL: <<https://www.youtube.com/watch?v=ESKV5iUySUo>>. (Year: 2016).  
 Liposales [@liposales]. “Make the most out of your power cannulas with the Liposales’ Power Cannula Adapter! These high-quality reusable adapters are suited for aspiration with your Microaire Handle, with a power cannula end for a more extensive selection of cannulas. The power cannula compatibility gives you anesthesia access to areas of the body far away from the entry site without the need for additional incisions . . . ” Facebook.com, Published: [Oct. 30, 2020], Site Visited: [Nov. 26, 2021], URL: <<https://www.facebook.com/pg/liposales/posts/>>. (Year: 2020).\*

\* cited by examiner

Fig 1

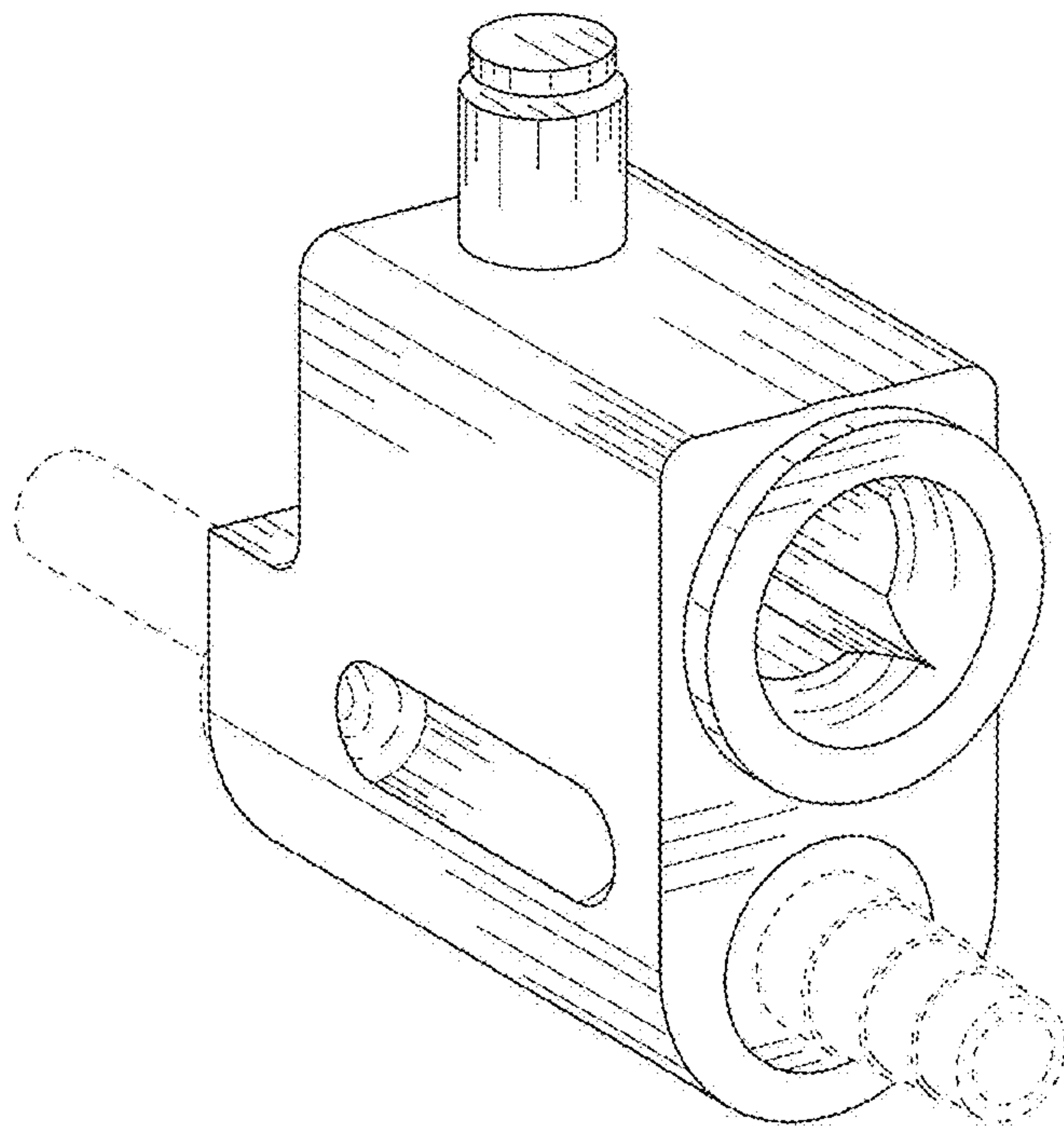


Fig 2

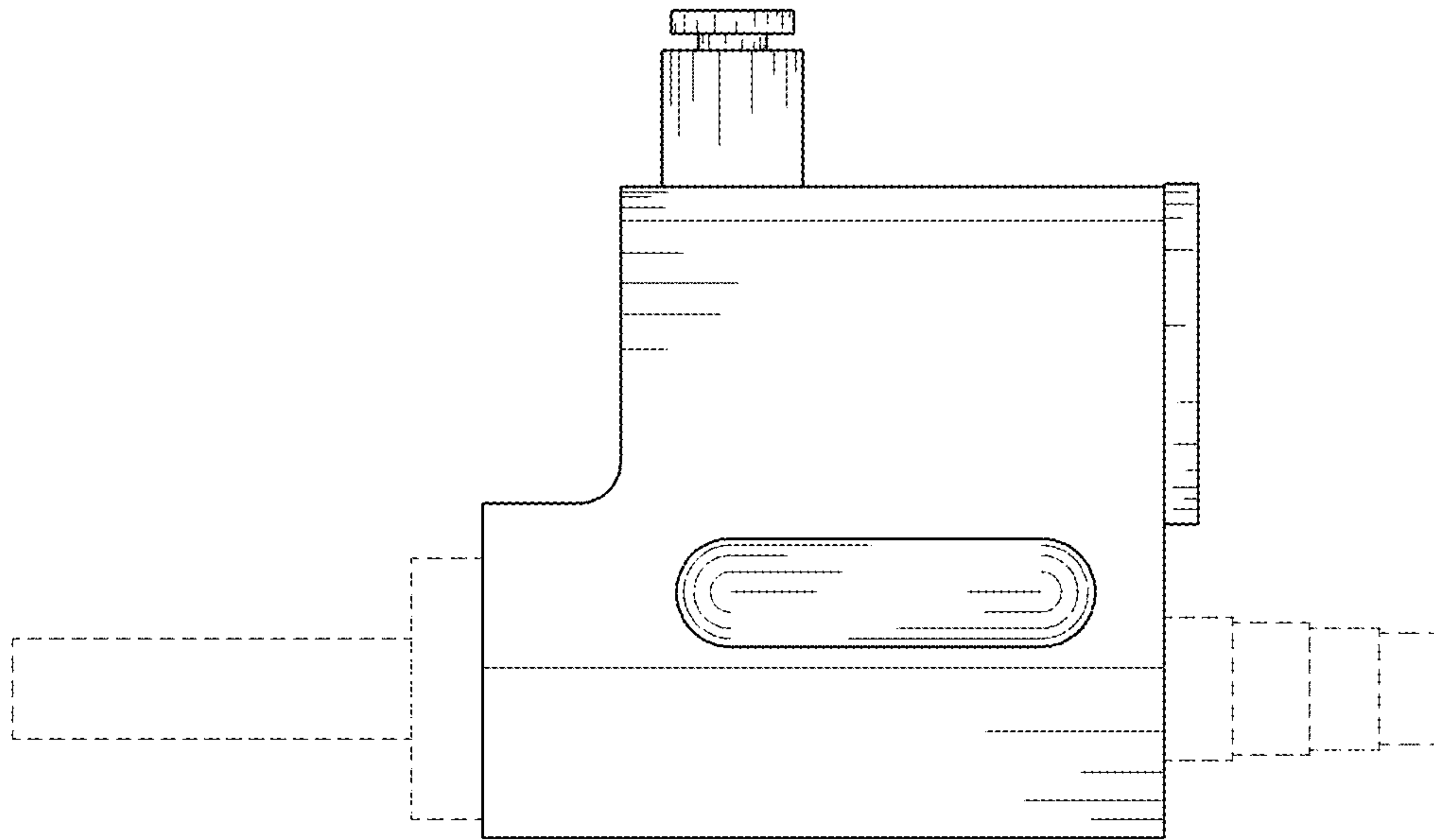


Fig 3

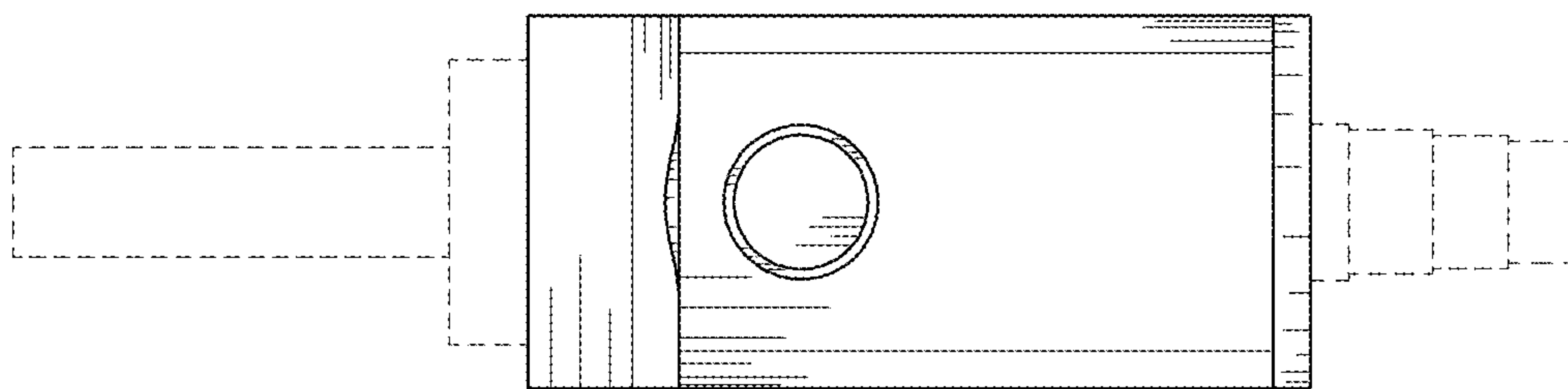


Fig 4

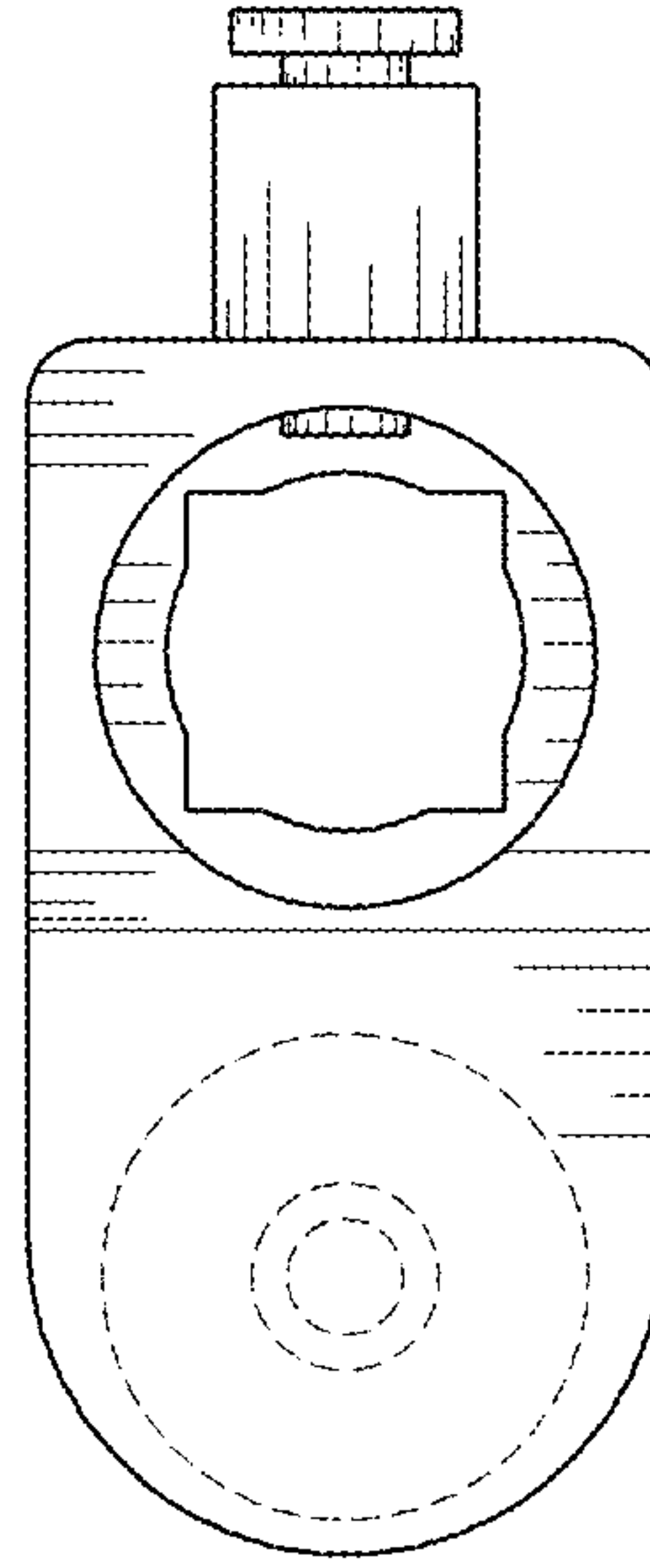


Fig 5

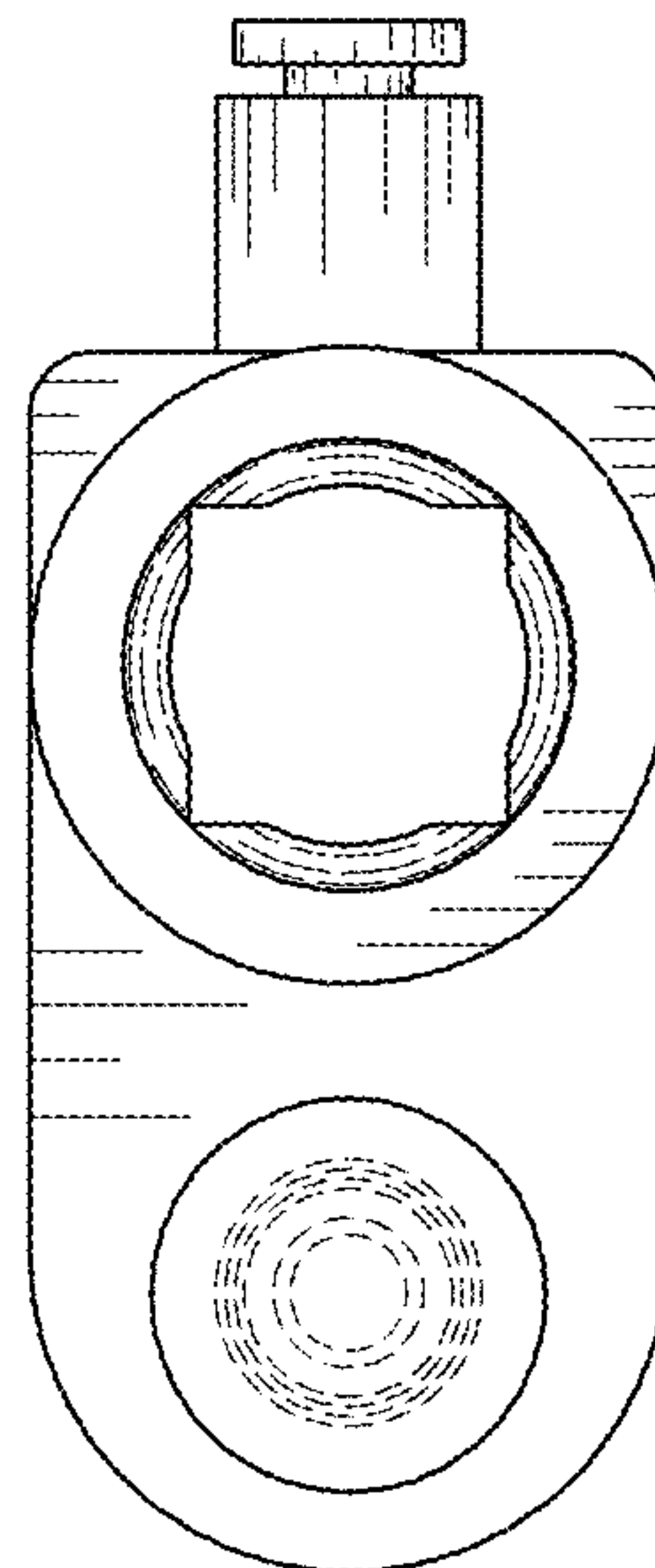




Fig 6

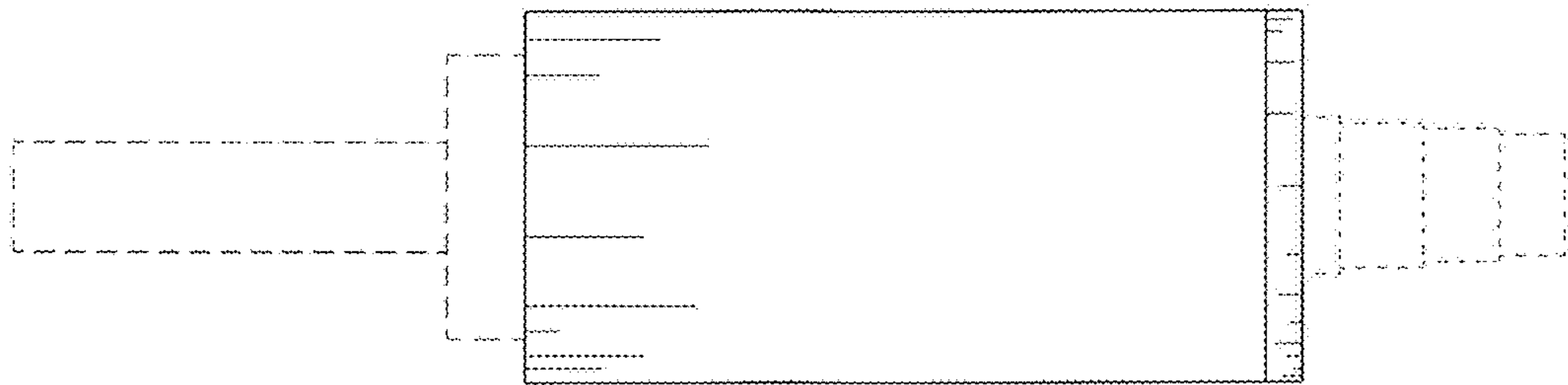


Fig 7

