



US00D950041S

(12) **United States Design Patent** (10) **Patent No.:** **US D950,041 S**
O’Connell et al. (45) **Date of Patent:** **** Apr. 26, 2022**

(54) **COMBINED CEILING FAN BLADE AND BLADE IRON**

D438,324 S 2/2001 Pham
D458,362 S 6/2002 Campbell
D483,139 S 12/2003 Kuelbs et al.

(71) Applicant: **HUNTER FAN COMPANY**,
Memphis, TN (US)

(Continued)

(72) Inventors: **Patrick R. O’Connell**, Germantown,
TN (US); **Alexander Jonathan Hagggar**, Memphis, TN (US)

OTHER PUBLICATIONS

<http://www.kichler.com/products/product/54-inch-seaside-fan-oz-310131oz.aspx>, Kichler Seaside Collection 54 Inch Seaside Fan OZ, Model 310131OZ (Old Bronze), accessed Apr. 4, 2017.

(73) Assignee: **Hunter Fan Company**, Memphis, TN (US)

(Continued)

(**) Term: **15 Years**

Primary Examiner — Sharon S Oum

(21) Appl. No.: **29/733,380**

(74) *Attorney, Agent, or Firm* — McGarry Bair PC

(22) Filed: **May 1, 2020**

(57)

CLAIM

The ornamental design for a combined ceiling fan blade and blade iron, as shown and described.

DESCRIPTION

Related U.S. Application Data

(62) Division of application No. 29/624,291, filed on Oct. 31, 2017, now Pat. No. Des. 886,345.

(51) **LOC (13) Cl.** **23-03**

(52) **U.S. Cl.**
USPC **D23/411**; D23/413

(58) **Field of Classification Search**
USPC D23/370, 377, 379, 385, 411–414;
D8/349, 354

CPC F04D 25/088; F04D 29/38; F04D 29/384;
F04D 29/386; F04D 29/34

See application file for complete search history.

(56) **References Cited**

U.S. PATENT DOCUMENTS

D102,553 S 12/1936 Gosling
D302,478 S 7/1989 Bohler
D417,747 S 12/1999 Pahl
D430,930 S 9/2000 Zuege
D435,289 S * 12/2000 Liu D23/377

FIG. 1 is a bottom perspective view of a blade and blade iron in the environment of the ceiling fan, according to the invention;

FIG. 2 is a top perspective view of the combined ceiling fan blade and blade iron of FIG. 1;

FIG. 3 is a top view of the combined ceiling fan blade and blade iron of FIG. 1;

FIG. 4 is a bottom view of the combined ceiling fan blade and blade iron of FIG. 1;

FIG. 5 is a front view of the combined ceiling fan blade and blade iron of FIG. 1;

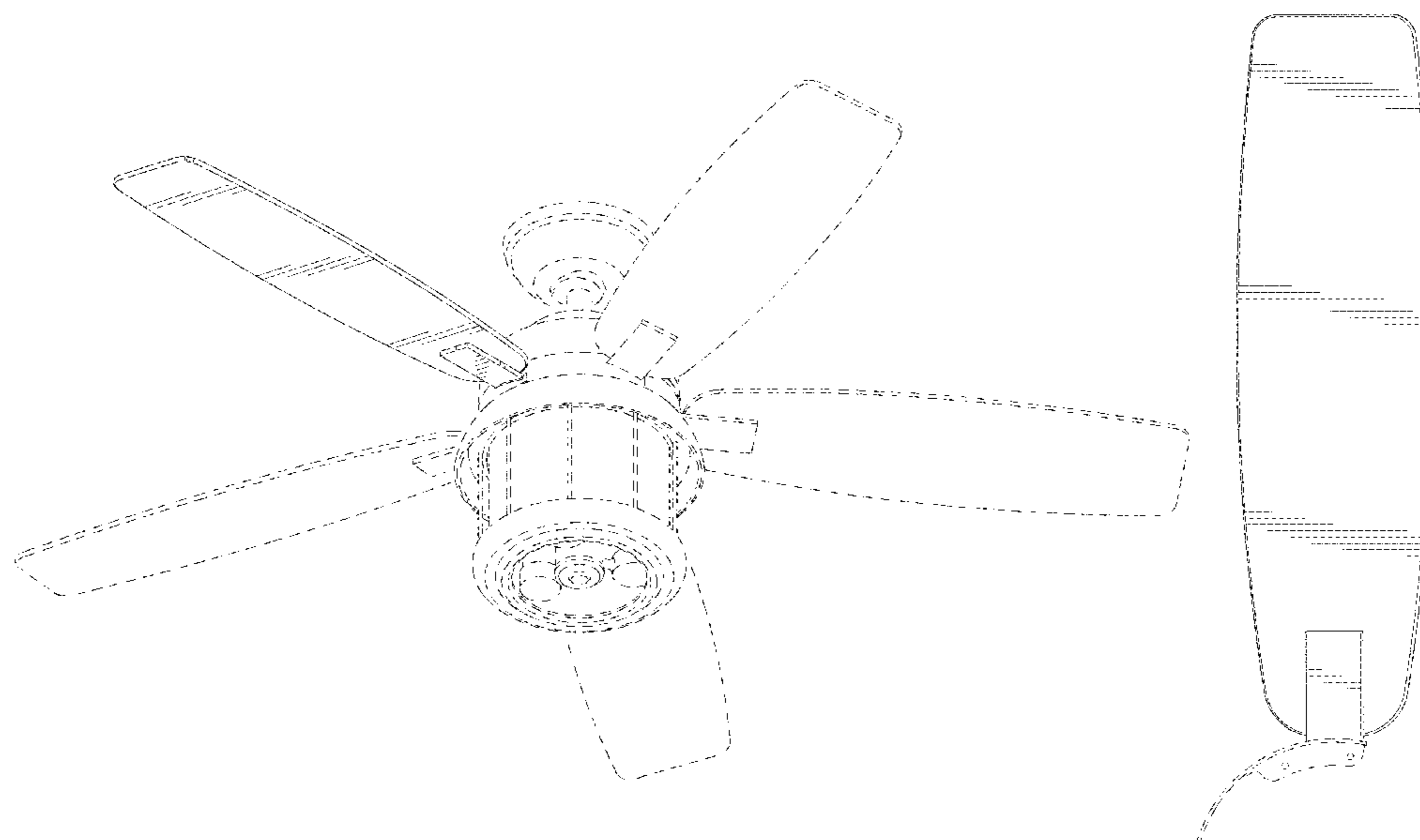
FIG. 6 is a rear view of the of the combined ceiling fan blade and blade iron of FIG. 1;

FIG. 7 is a left side view of the combined ceiling fan blade and blade iron of FIG. 1; and,

FIG. 8 is a right side view of the combined ceiling fan blade and blade iron of FIG. 1.

The broken lines illustrate the ceiling fan environment and portions of the combined ceiling fan blade and blade iron. None of the broken lines form part of the claimed design.

1 Claim, 5 Drawing Sheets



(56)

References Cited

U.S. PATENT DOCUMENTS

D489,445 S 5/2004 Burns
 D520,633 S 5/2006 Tai
 D527,090 S 8/2006 Pan
 D535,739 S 1/2007 Pan
 D556,930 S 12/2007 Ertze
 D594,542 S 6/2009 Pan
 D596,737 S 7/2009 Pan
 D624,406 S 9/2010 Cronican et al.
 D625,874 S 10/2010 Sanoner
 D640,407 S 6/2011 Chen
 D710,489 S 8/2014 Shurtleff
 D710,490 S 8/2014 Shurtleff
 D732,157 S 6/2015 Lin et al.
 D745,959 S 12/2015 Ertze
 D755,438 S 5/2016 Kimmet
 D800,289 S * 10/2017 Guthrie D23/377
 D801,515 S 10/2017 Wang
 D804,630 S * 12/2017 Holmes D23/377
 D804,633 S * 12/2017 Holmes D23/377
 D804,635 S 12/2017 Holmes
 D804,639 S * 12/2017 Guthrie D23/377
 D805,625 S 12/2017 Haggar
 D808,002 S 1/2018 Holmes
 D810,918 S * 2/2018 Holmes D23/377
 D811,577 S 2/2018 Yang
 D814,011 S 3/2018 McRoberts
 D814,092 S 3/2018 Chen
 D820,431 S 6/2018 Ertze
 D825,086 S * 8/2018 Holmes D26/59
 D827,123 S * 8/2018 Guthrie D23/411
 D834,172 S 11/2018 Guthrie
 D850,606 S * 6/2019 Wang D23/377
 D860,428 S * 9/2019 Orozco D23/377
 D860,431 S * 9/2019 Orozco D23/411
 D874,632 S * 2/2020 Holmes D23/377

D875,914 S * 2/2020 Haggar D23/377
 D877,318 S * 3/2020 Holmes D23/411
 D878,652 S * 3/2020 McRoberts D26/59
 D879,936 S * 3/2020 Schulzman D23/377
 D879,940 S * 3/2020 Orozco D23/411
 D885,552 S * 5/2020 Holmes D23/377
 D893,701 S * 8/2020 McRoberts D23/411
 D904,595 S * 12/2020 Holmes D23/411
 D921,179 S * 6/2021 Haggar D23/377
 D921,180 S * 6/2021 McRoberts D23/377
 2014/0056739 A1 2/2014 Wang

OTHER PUBLICATIONS

<http://www.hunterfan.com/Ceiling-Fans/Key-Biscayne?ModelNumber=59135>, Hunter Fan Key Biscayne—54" Ceiling Fan, Item No. 59135, accessed Apr. 4, 2017.
<http://www.kichler.com/products/product/maor-patio-65-ceiling-fan-distressed-black-dbk-310.aspx>, Kichler Maor Patio Collection, Maor Patio 65" Ceiling Fan—Distressed Black DBK, Model 310136DBK, accessed Apr. 4, 2017.
<http://www.homedepot.com/p/Hampton-Bay-Devereaux-II-52-in-Oil-Rubbed-Bronze-Ceiling-Fan-AL685-ORB/203244862>, Hampton Bay Devereaux II 52 In. Oil-Rubbed Bronze Ceiling Fan, Model No. AL685-ORB, accessed Apr. 4, 2017.
<https://www.craftmade.com/courtyard-cyd56ob4>, Craftmade Courtyard, 56" Courtyard Ceiling Fan, Model No. CYD56OB4, accessed Apr. 4, 2017.
<http://www.minkagroup.net/products/f580-vrbb>, Minka Group Shangri-La 52" 5 Blades in Vintage Rust™ Finish w/Bambo All Weather Blades Integrated Light Kit, Model No. F580-VR-BB, accessed Apr. 4, 2017.
<http://www.kingoffans.com/#/products>, The King of Fans North Shoreline Ceiling Fan, Model No. 51546, accessed Apr. 4, 2017.

* cited by examiner

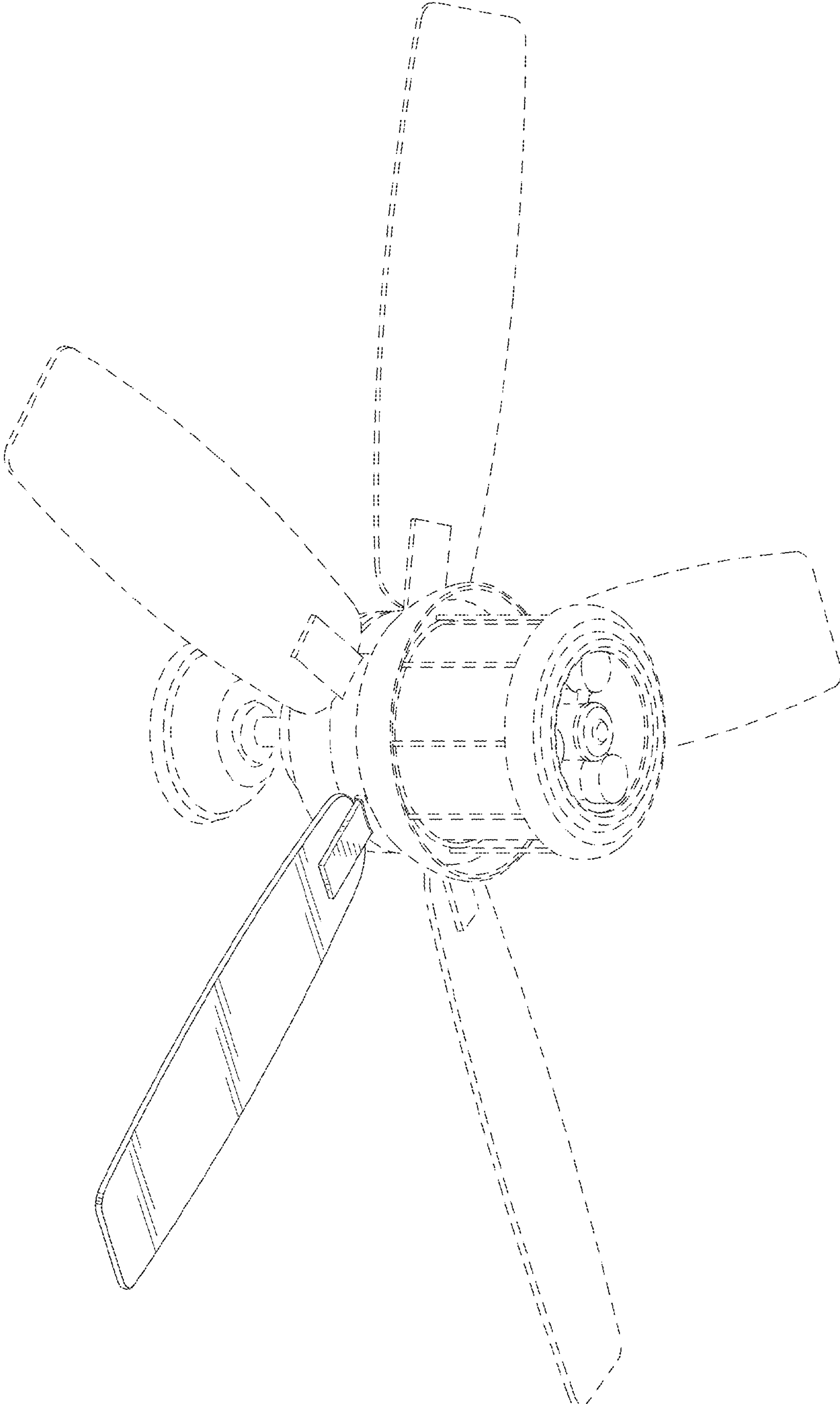


FIG. 1

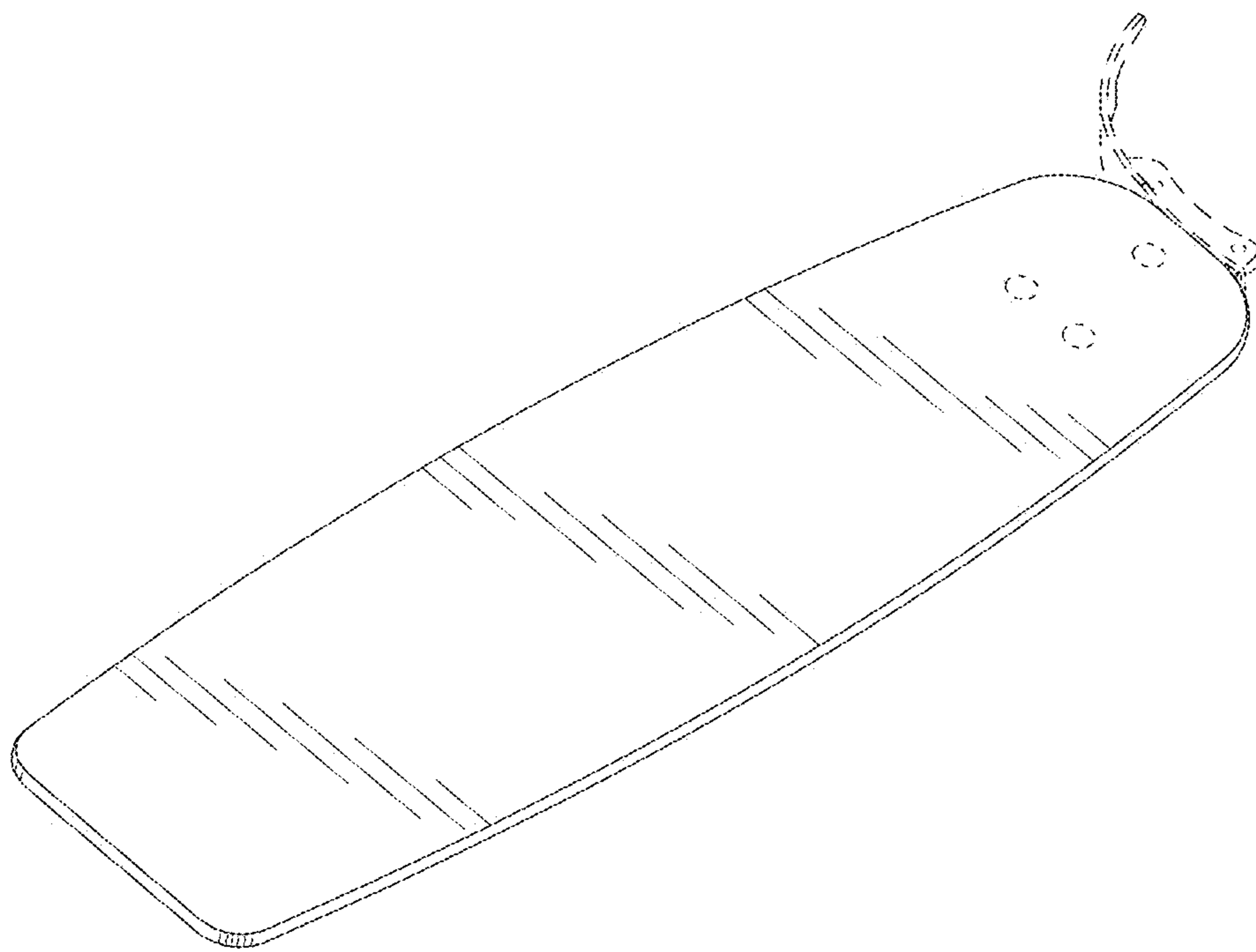


FIG.2

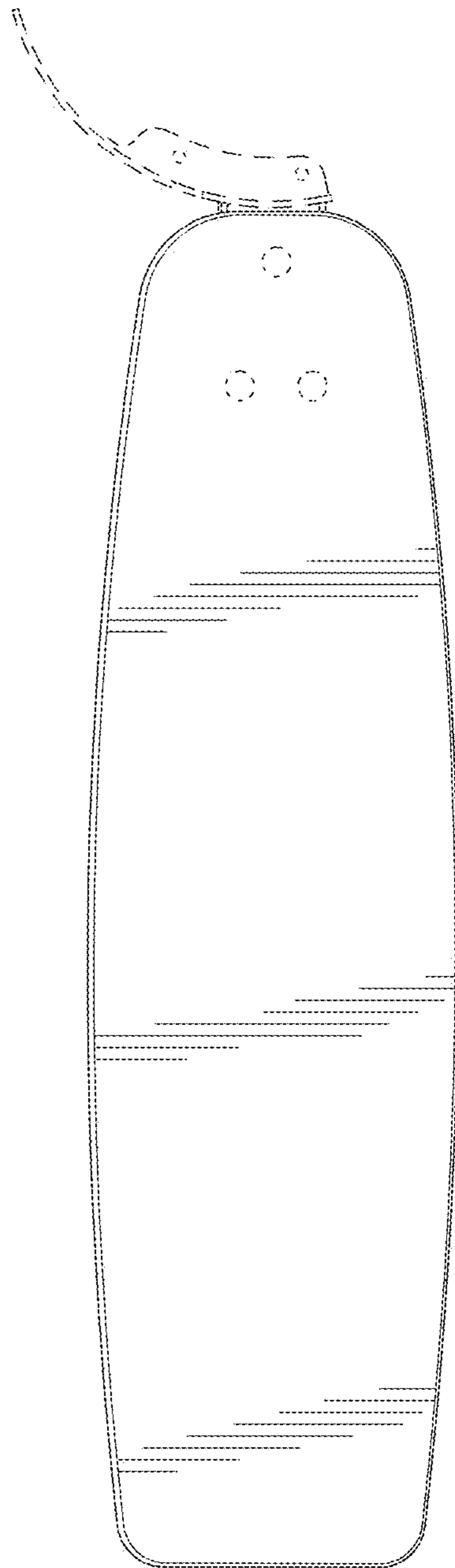


FIG. 3

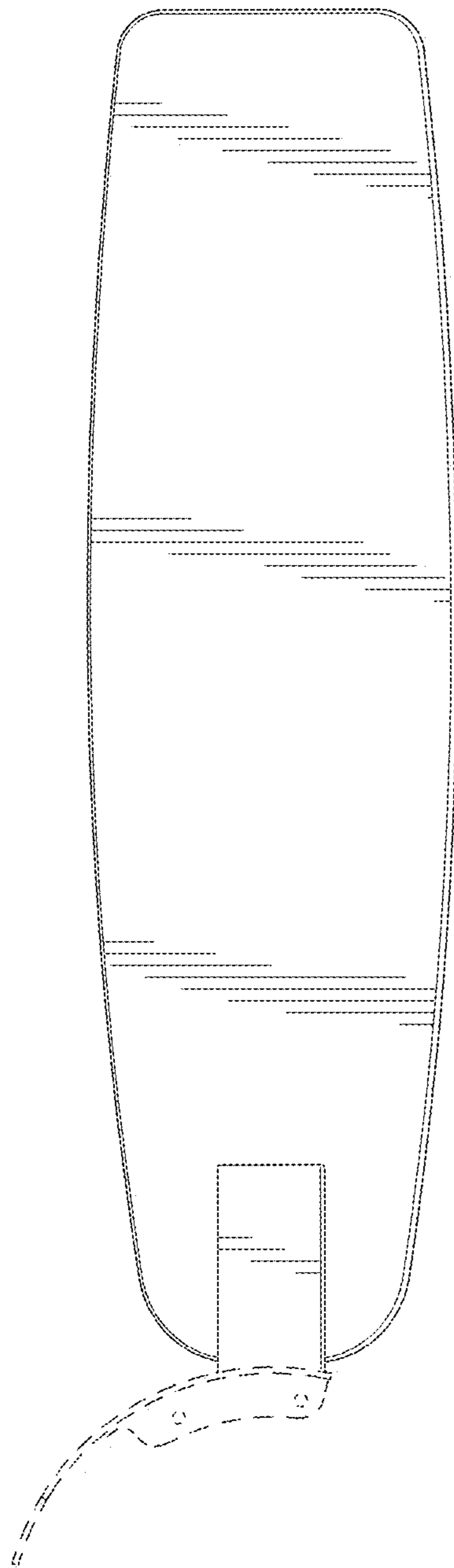


FIG. 4

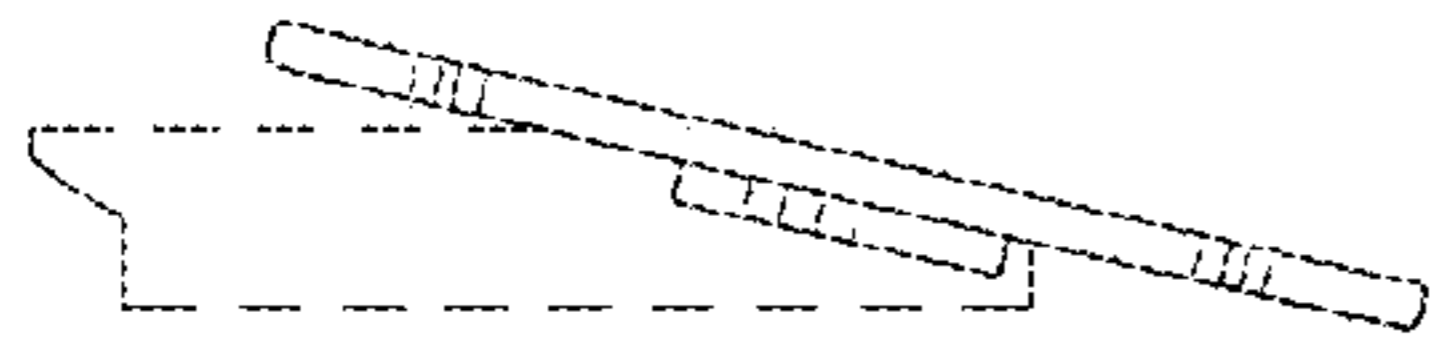


FIG. 5

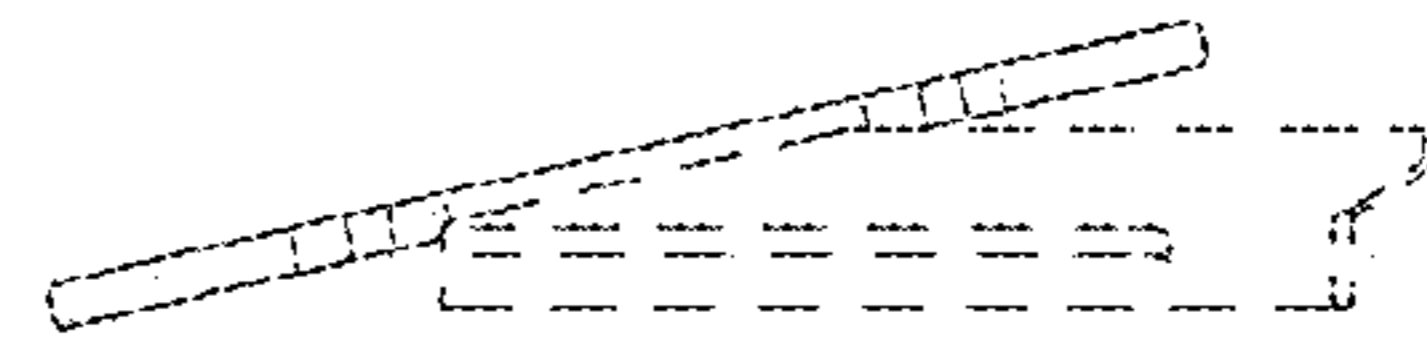


FIG. 6

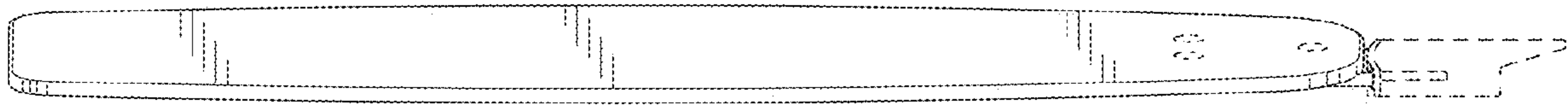


FIG. 7

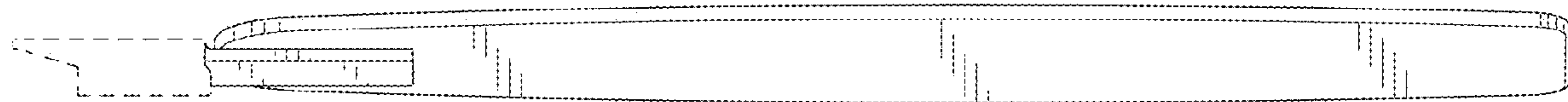


FIG. 8