



US00D950040S

(12) **United States Design Patent**
Hidalgo

(10) **Patent No.:** **US D950,040 S**

(45) **Date of Patent:** **** Apr. 26, 2022**

(54) **CEILING FAN HOUSING**

(71) Applicant: **Minka Lighting, Inc.**, Corona, CA
(US)

(72) Inventor: **Rolando Hidalgo**, Yorba Linda, CA
(US)

(73) Assignee: **MINKA LIGHTING, INC.**, Corona,
CA (US)

(**) Term: **15 Years**

(21) Appl. No.: **29/665,587**

(22) Filed: **Oct. 4, 2018**

(51) **LOC (13) Cl.** **23-03**

(52) **U.S. Cl.**
USPC **D23/411**

(58) **Field of Classification Search**
USPC D23/370–385, 411–414; D26/59, 85, 86,
D26/89, 90; D9/500–505
CPC F04D 25/088; F04D 29/38; F04D 29/384;
F04D 29/386; F21V 33/0096
See application file for complete search history.

(56) **References Cited**

U.S. PATENT DOCUMENTS

D253,854 S *	1/1980	Strignano	D26/63
D292,313 S *	10/1987	Kawai	D23/377
D297,974 S *	10/1988	Sonneman	D23/377
D328,785 S *	8/1992	Markwardt	D23/377
D344,129 S *	2/1994	Markwardt	D23/377
D443,713 S *	6/2001	Benensohn	D26/72
D453,216 S *	1/2002	Gajewski	D23/377
D530,414 S *	10/2006	Hoshino	D23/377
D565,230 S *	3/2008	Hetfield	D26/72
D575,444 S *	8/2008	Lissoni	D26/137
D599,947 S *	9/2009	Sabernig	D26/88

D603,552 S *	11/2009	Kampe	D26/88
D609,324 S *	2/2010	Lee	D23/377
D609,799 S *	2/2010	Lee	D23/377
D744,634 S *	12/2015	Wang	D23/411
D745,949 S *	12/2015	Meyer	D23/259
D773,634 S *	12/2016	Wang	D23/385
D785,157 S *	4/2017	Wang	D23/377
D788,283 S *	5/2017	Busta	D23/377
D788,286 S *	5/2017	Busta	D23/411
D799,665 S *	10/2017	Wang	D23/377
D805,173 S *	12/2017	Vajen Habig	D23/377
D809,118 S *	1/2018	Guthrie	D23/377
D818,104 S *	5/2018	Holmes	D23/377
D834,696 S *	11/2018	Schulzman	D23/377
D840,016 S *	2/2019	Guthrie	D23/411
D851,235 S *	6/2019	Hidalgo	D23/411
D857,874 S *	8/2019	Hidalgo	D23/377
D864,376 S *	10/2019	Hidalgo	D23/377

* cited by examiner

Primary Examiner — Sharon S Oum

(74) *Attorney, Agent, or Firm* — Seyfarth Shaw LLP

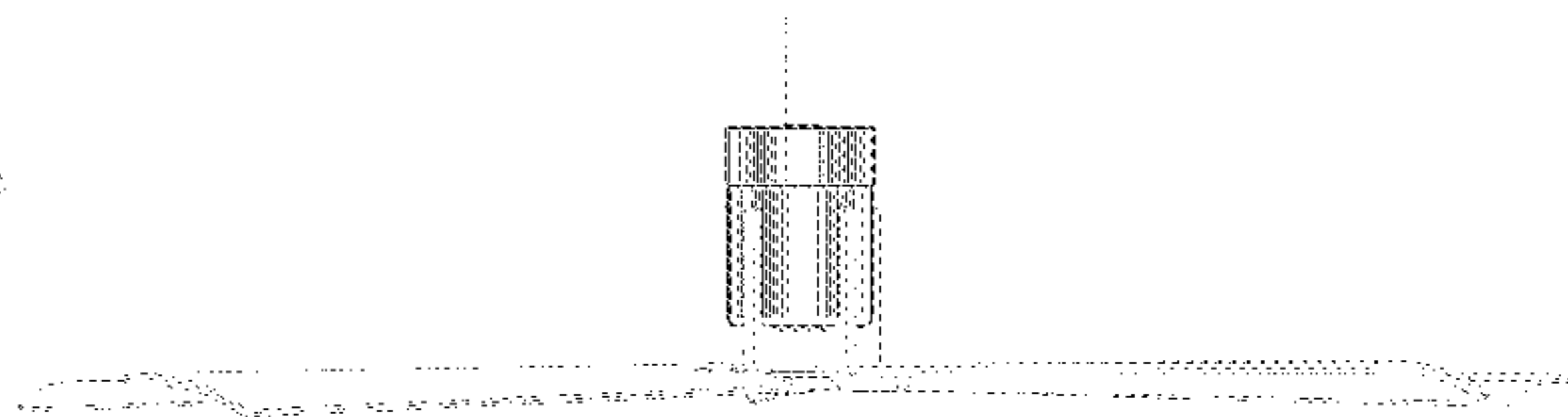
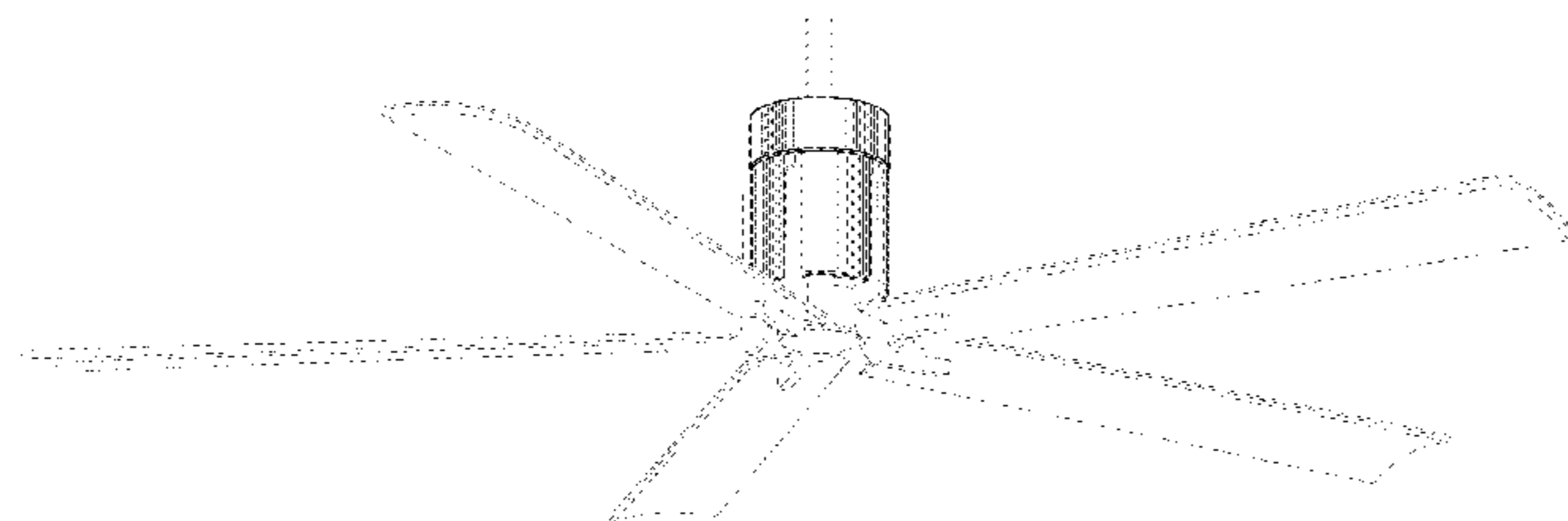
(57) **CLAIM**

The ornamental design for a ceiling fan housing, as shown and described.

DESCRIPTION

FIG. 1 is a perspective view of a ceiling fan housing in accordance with my design;
FIG. 2 is a top plan view thereof;
FIG. 3 is a bottom plan view thereof;
FIG. 4 is a front elevation view thereof;
FIG. 5 is a rear elevation view thereof;
FIG. 6 is a left elevation view thereof; and,
FIG. 7 is a right elevation view thereof.
The broken lines in the drawings illustrate portions of the ceiling fan that form no part of the claimed design.

1 Claim, 5 Drawing Sheets



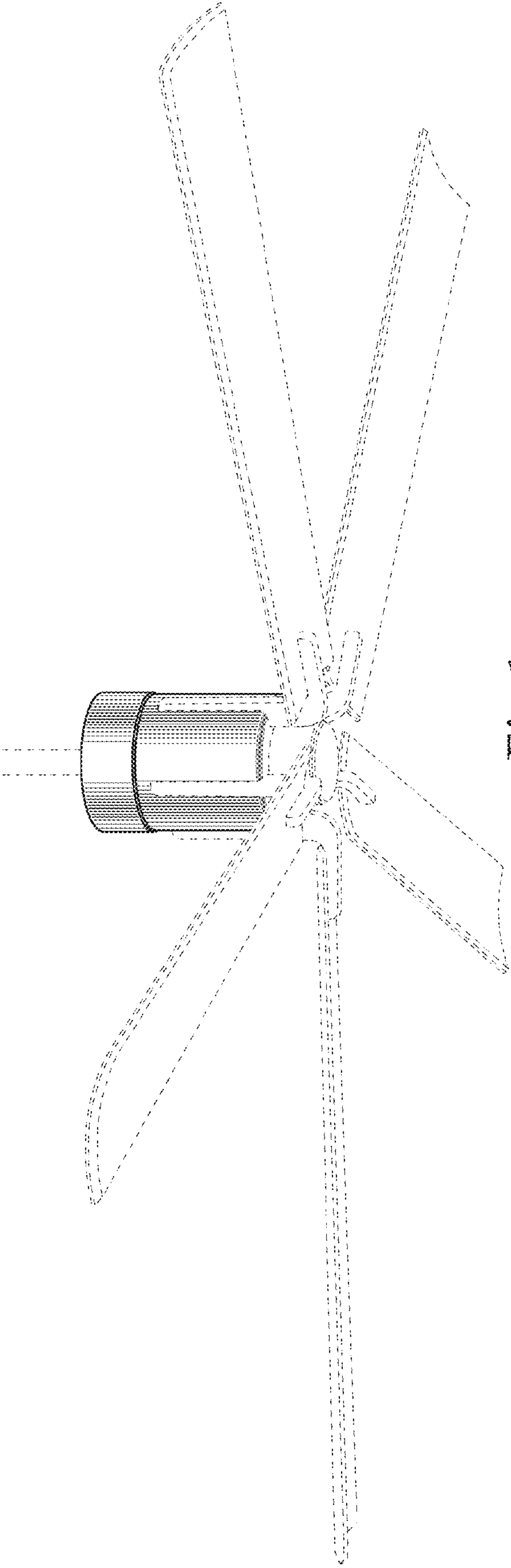


Fig. 1

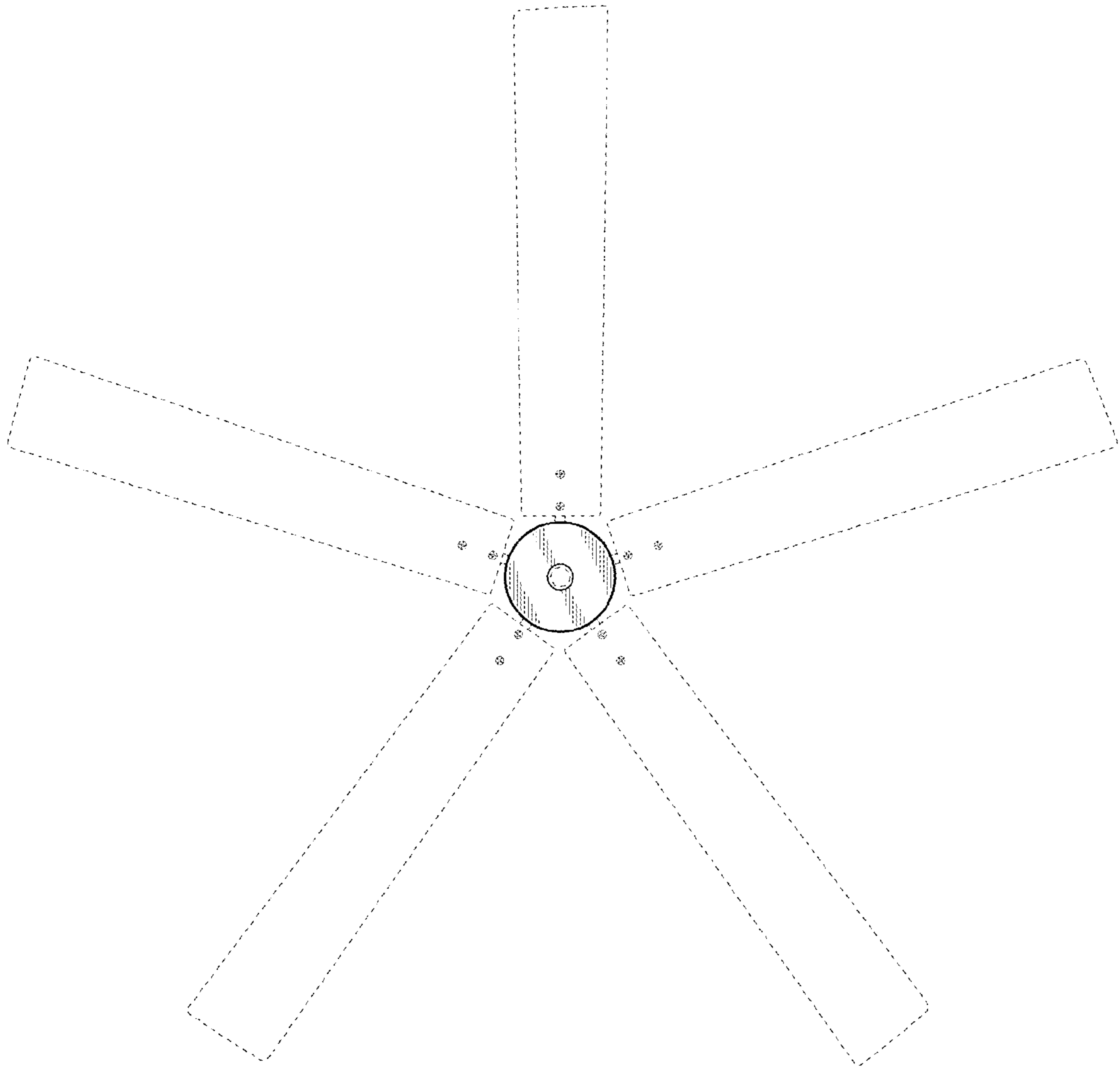


Fig.2

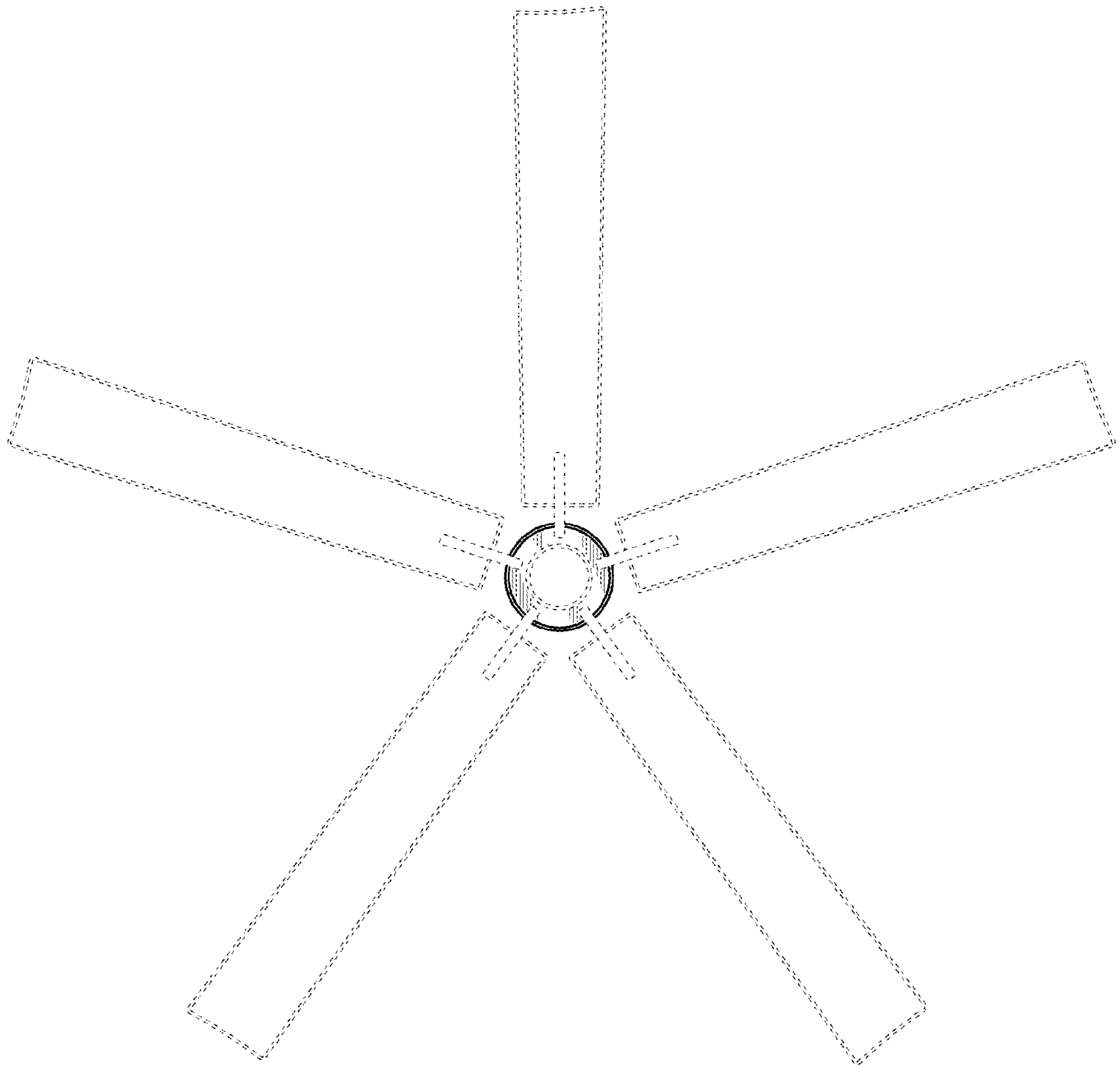


Fig.3

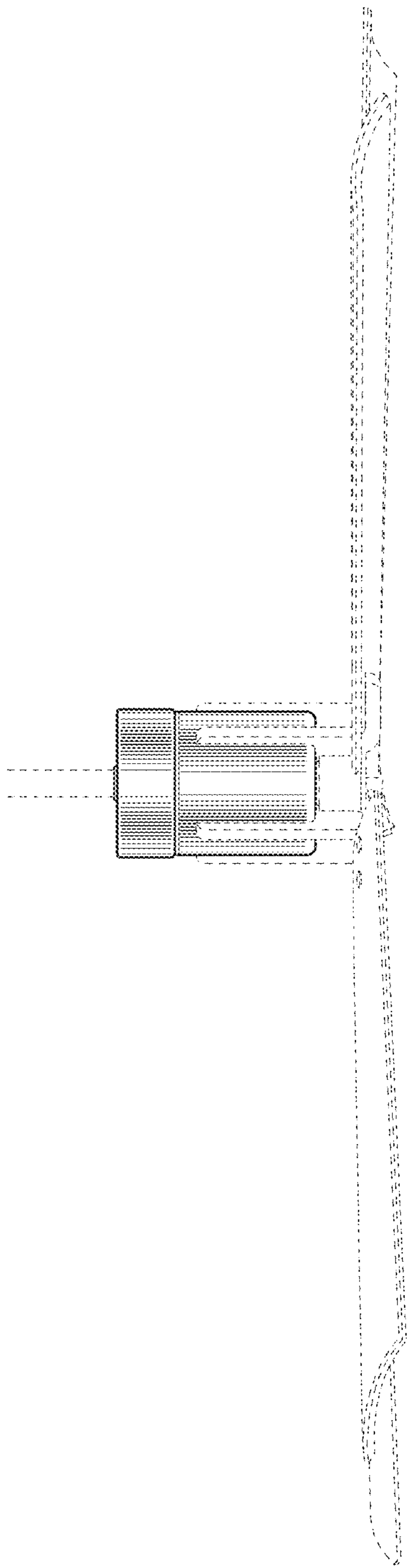


Fig. 4

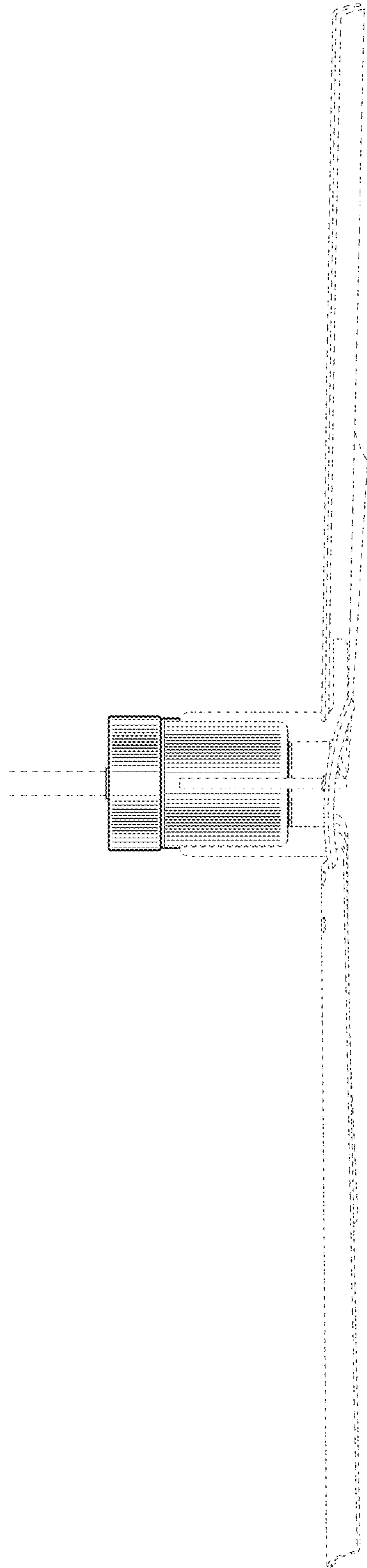


Fig. 5

