



US00D950039S

(12) **United States Design Patent**
Dean et al.

(10) **Patent No.:** **US D950,039 S**
(45) **Date of Patent:** **** Apr. 26, 2022**

- (54) **FAN**
- (71) Applicant: **The Coleman Company, Inc.**, Wichita, KS (US)
- (72) Inventors: **Matthew B. Dean**, Parchment, MI (US); **Adam A Luedke**, Kalamazoo, MI (US)
- (73) Assignee: **The Coleman Company, Inc.**, Wichita, KS (US)
- (**) Term: **15 Years**
- (21) Appl. No.: **29/696,329**
- (22) Filed: **Jun. 27, 2019**
- (51) **LOC (13) Cl.** **23-04**
- (52) **U.S. Cl.**
USPC **D23/382**
- (58) **Field of Classification Search**
USPC D23/332, 333, 335-337, 364, 370, 378, D23/379, 381-383; D16/244-245
CPC F04D 25/08; F04D 29/38; F04D 29/384; F04D 29/386
See application file for complete search history.

- D388,869 S * 1/1998 Wang D23/378
- D424,681 S * 5/2000 Lozzio D23/378
- D754,318 S * 4/2016 Thirouin D23/382
- D821,483 S * 6/2018 Vitale D16/244
- D875,232 S * 2/2020 Ediger D23/370
- 2020/0072411 A1* 3/2020 Chen G03B 17/561

* cited by examiner

Primary Examiner — Sharon S Oum

(57) **CLAIM**

The ornamental design for the fan, as shown and described.

DESCRIPTION

FIG. 1 is a front perspective view of the fan;
 FIG. 2 is a front view thereof;
 FIG. 3 is a rear view thereof;
 FIG. 4 is a left side view thereof;
 FIG. 5 is a right side view thereof;
 FIG. 6 is a top view thereof;
 FIG. 7 is a bottom view thereof;
 FIG. 8 is a partial enlarged view of the area indicated in FIG. 1 thereof; and,
 FIG. 9 is a partial enlarged view of the area indicated in FIG. 2 thereof.

The broken lines depict portions of the fan that form no part of the claimed design; the broken lines encircling portions of the fan in FIGS. 1 and 2 and illustrated in enlarged views in FIGS. 8 and 9 form no part of the claimed design.

1 Claim, 9 Drawing Sheets

(56) **References Cited**
U.S. PATENT DOCUMENTS

- D323,885 S * 2/1992 Wortham D23/378
- D340,516 S * 10/1993 Too D23/411

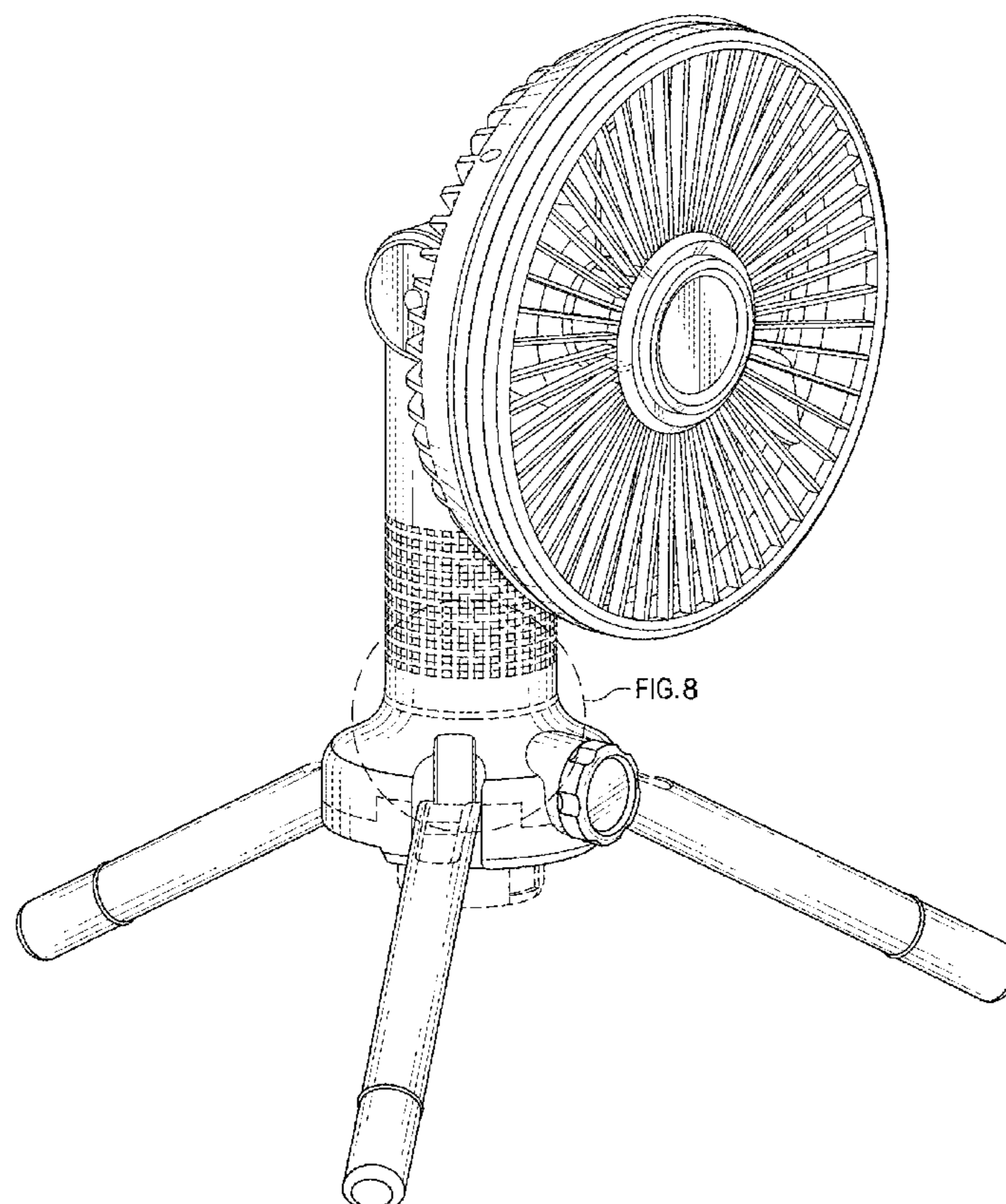


FIG. 1

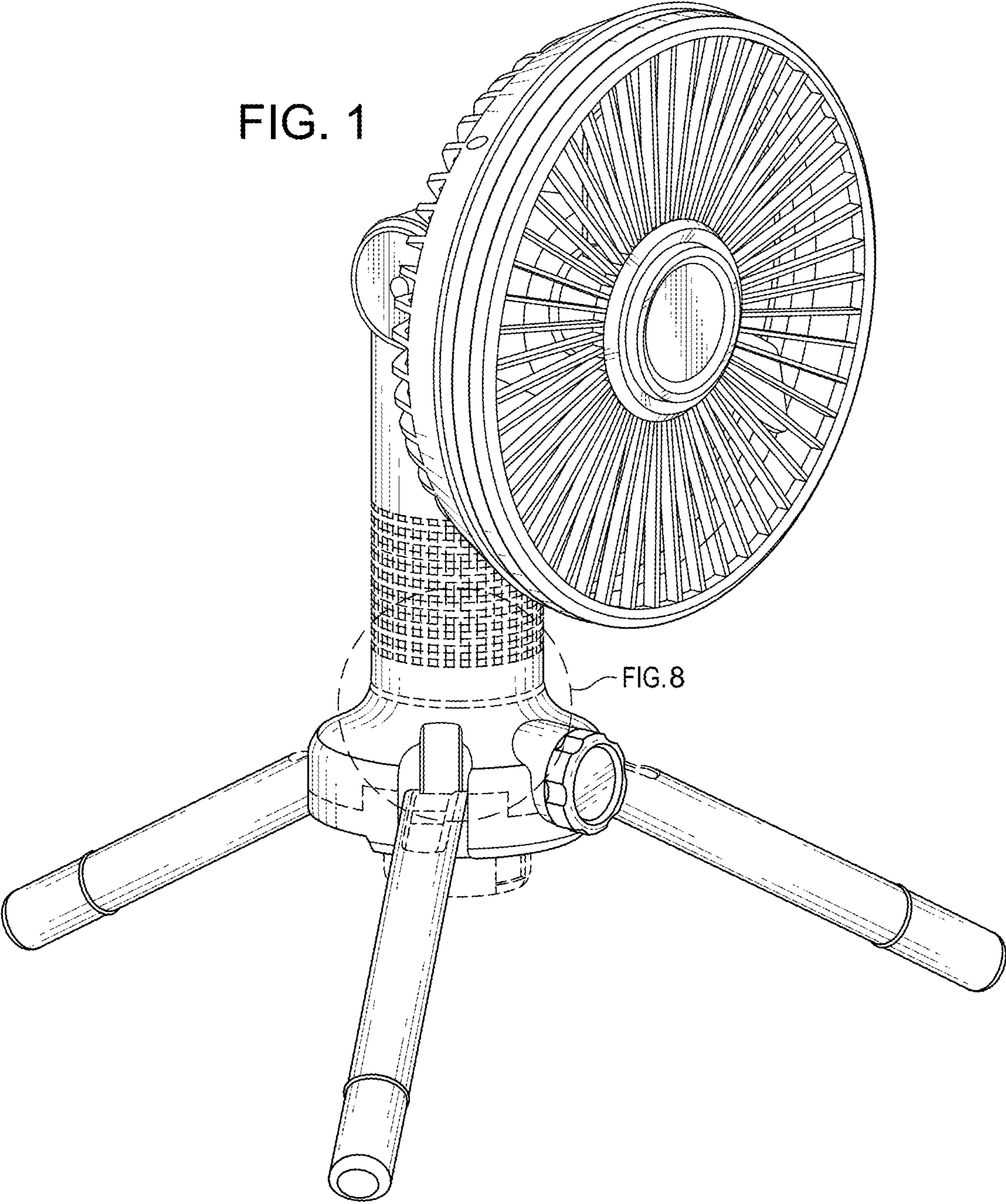


FIG. 2

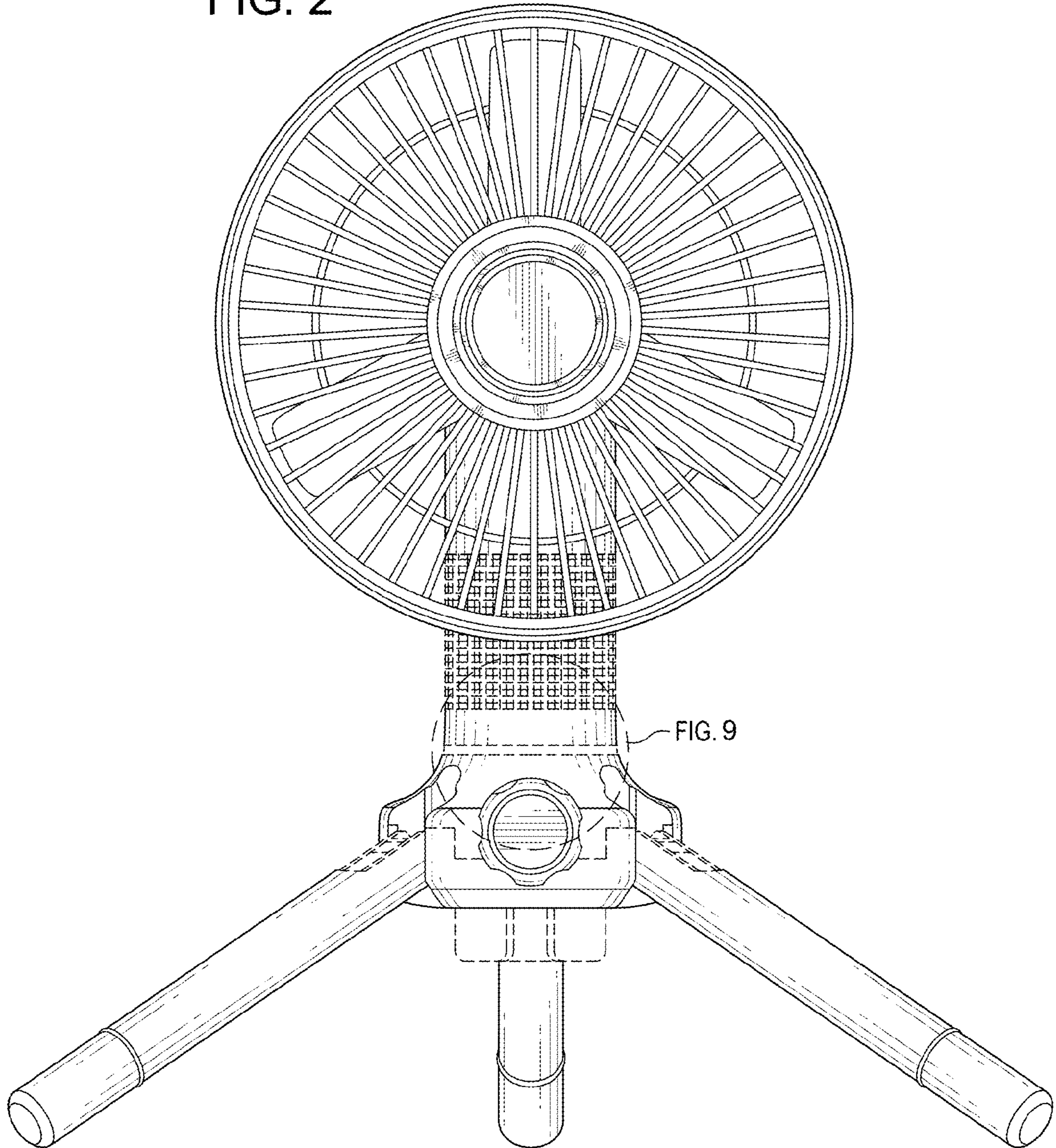


FIG. 3

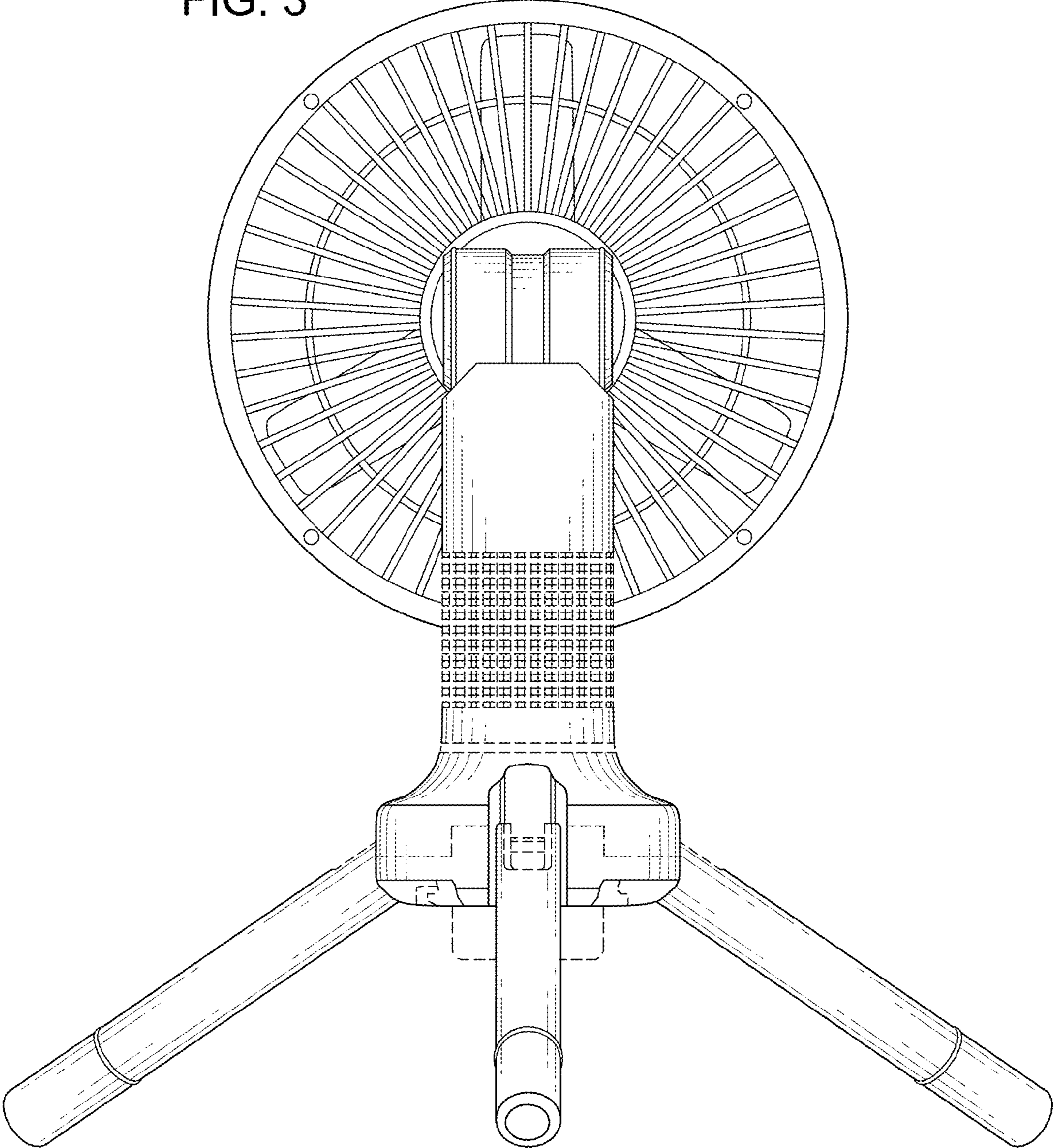


FIG. 4

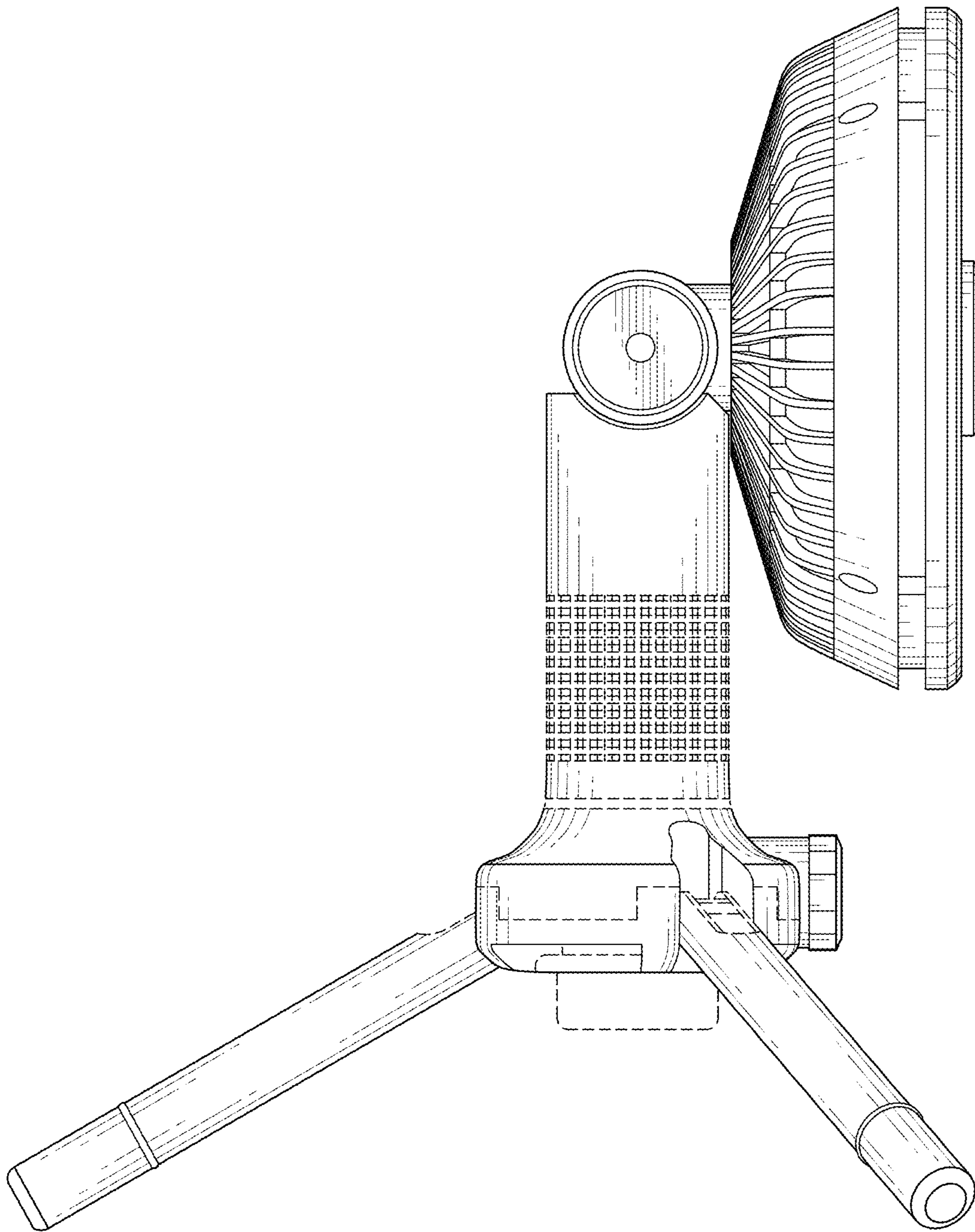


FIG. 5

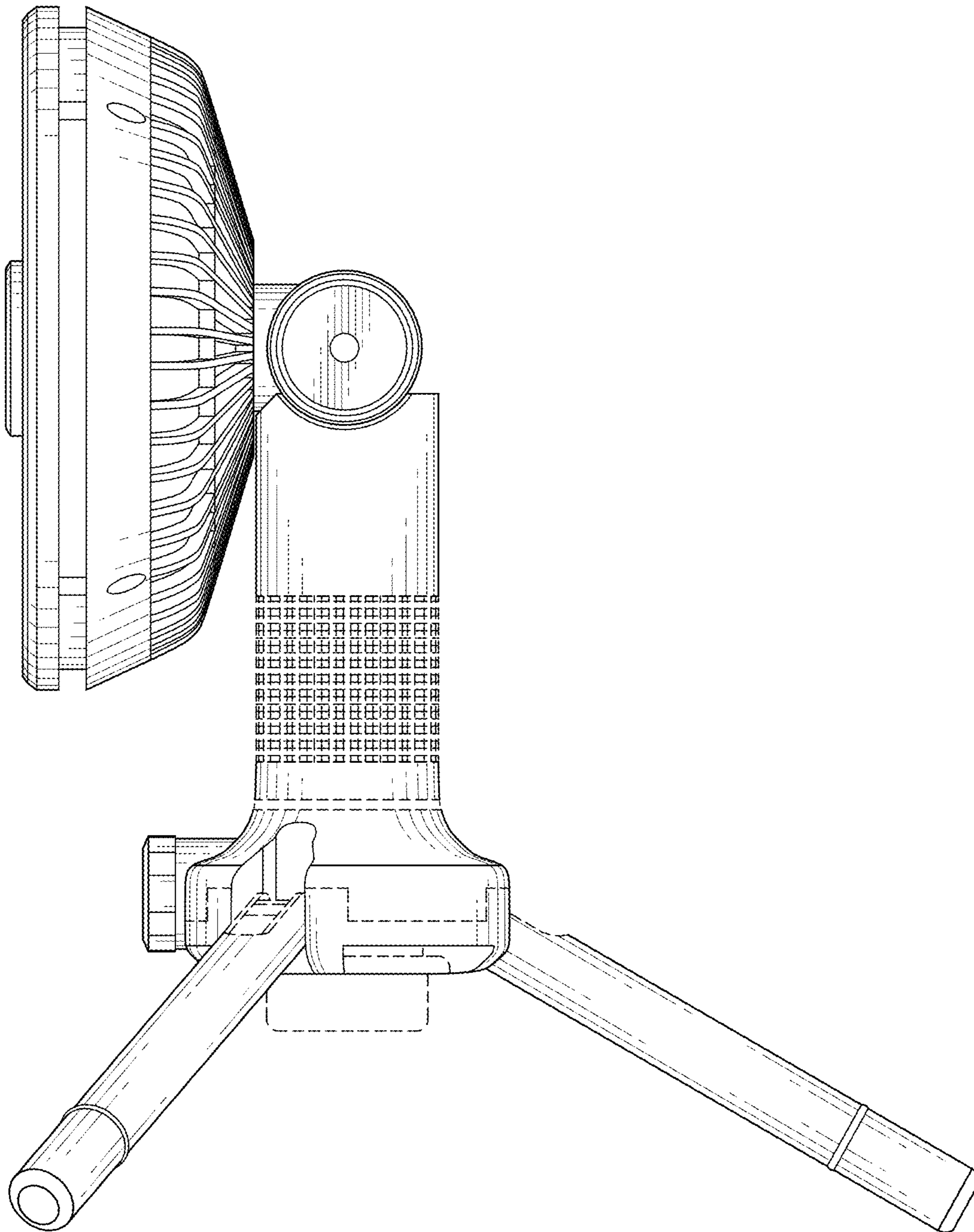


FIG. 6

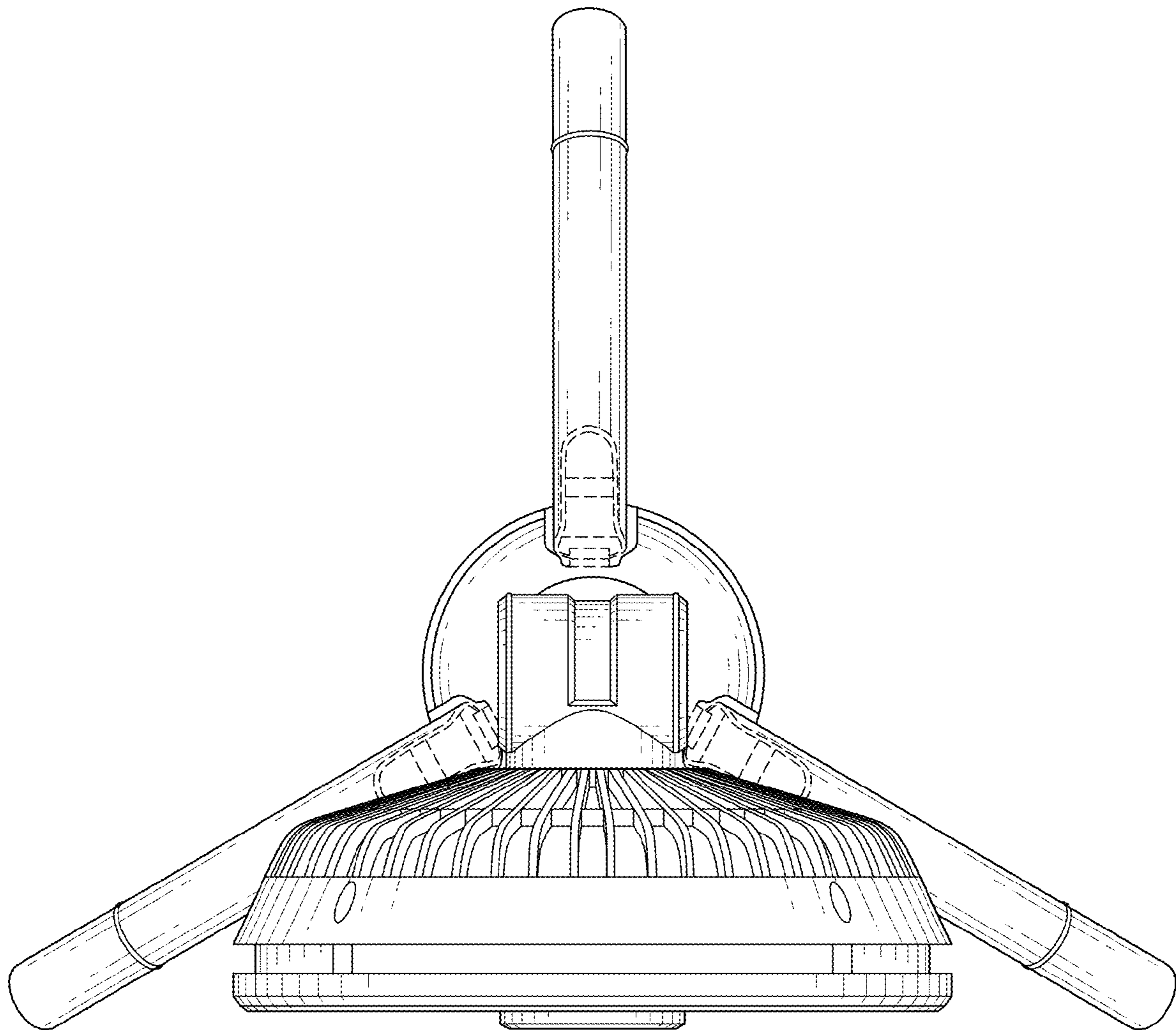


FIG. 7

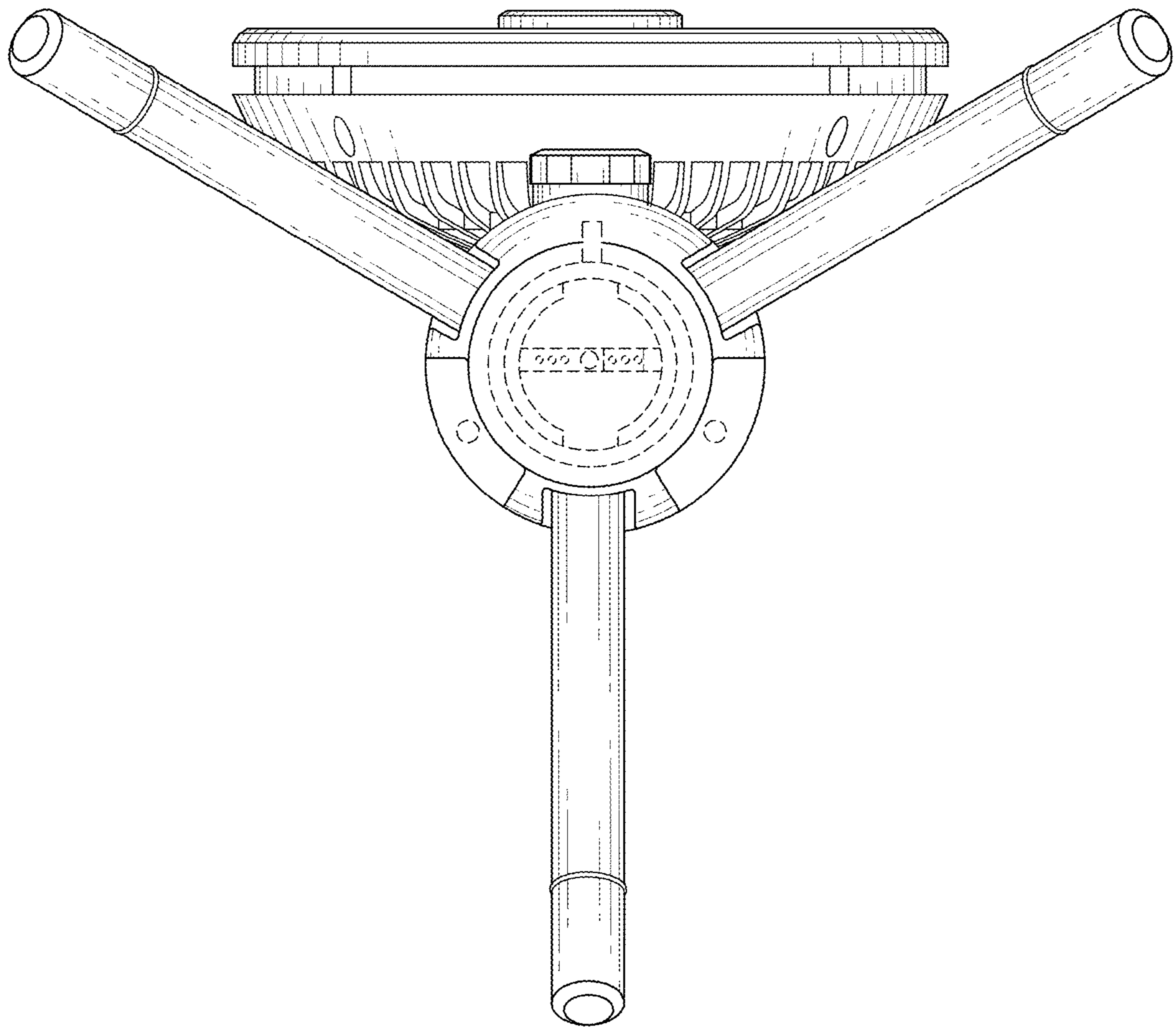


FIG. 8

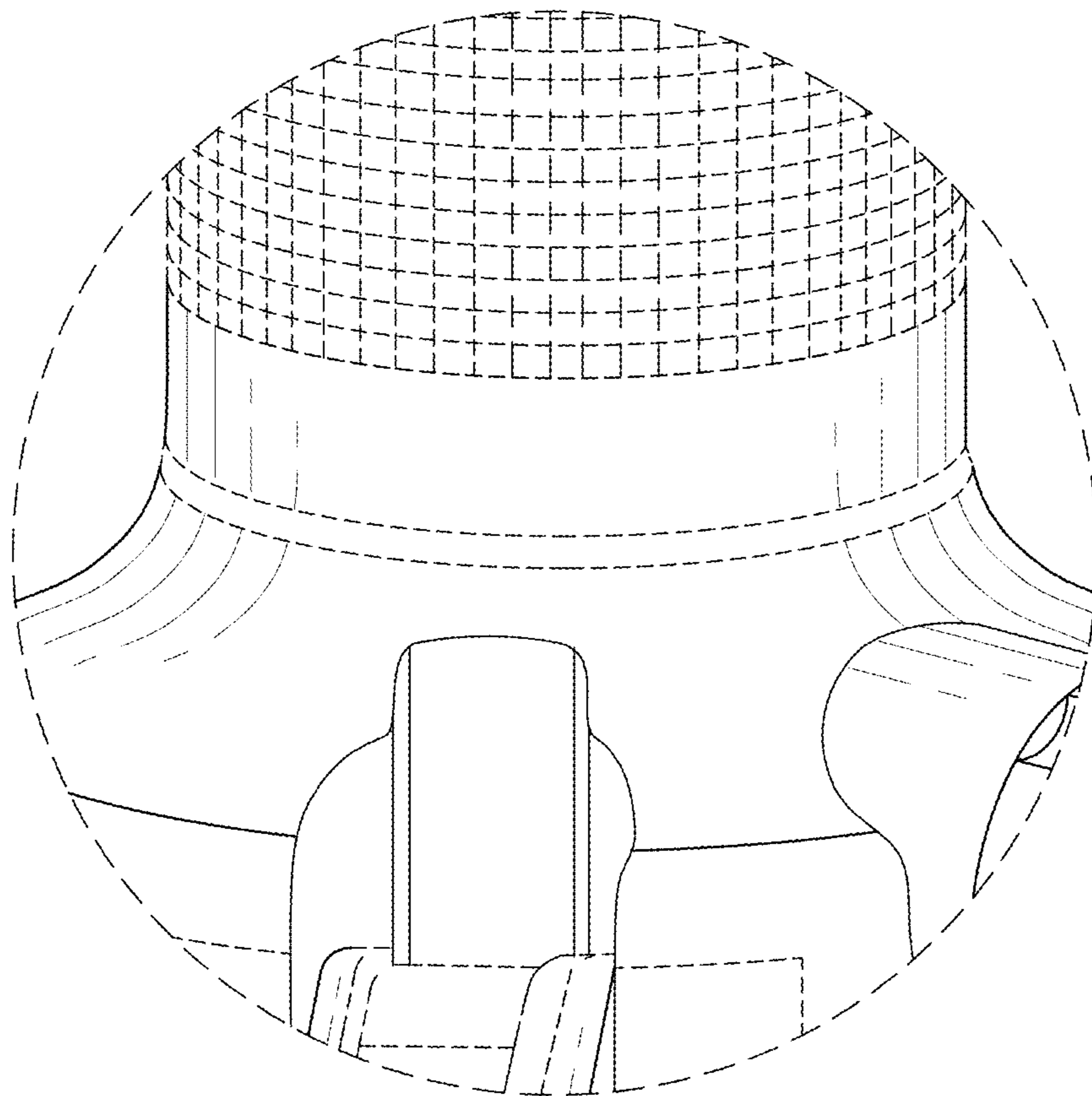


FIG.9

