



US00D950038S

(12) **United States Design Patent**  
**Cohen**

(10) **Patent No.:** **US D950,038 S**

(45) **Date of Patent:** **\*\* Apr. 26, 2022**

(54) **SPORTS CEILING FAN WITH PUCK SHAPED LIGHT KIT**

(71) Applicant: **Paul Cohen**, Riverview, FL (US)

(72) Inventor: **Paul Cohen**, Riverview, FL (US)

(\*\*) Term: **15 Years**

(21) Appl. No.: **29/825,775**

(22) Filed: **Feb. 4, 2022**

**Related U.S. Application Data**

(63) Continuation-in-part of application No. 29/787,436, filed on Jun. 7, 2021, which is a continuation-in-part of application No. 29/669,439, filed on Nov. 8, 2018, now Pat. No. Des. 921,870.

(51) **LOC (13) Cl.** ..... **23-04**

(52) **U.S. Cl.**  
USPC ..... **D23/377**; D26/59; D23/385

(58) **Field of Classification Search**  
USPC ..... D23/377, 370-376, 378-394, 411-414, D23/499; D26/51, 59, 72, 79, 92, 124, D26/57, 73, 94, 125, 89  
CPC .... F04D 25/088; F04D 29/322; F04D 29/324; F04D 29/388; F04D 29/601; F21V 21/104; F21V 33/0096

See application file for complete search history.

(56) **References Cited**

**U.S. PATENT DOCUMENTS**

- 2,079,942 A \* 5/1937 Le Velle ..... F04D 29/364 416/143
- 5,028,206 A \* 7/1991 Kendregan ..... F21V 33/0096 416/5
- 5,437,540 A \* 8/1995 Blocker ..... F21V 33/0096 416/5
- D373,185 S \* 8/1996 Tseng ..... D23/377
- D373,628 S \* 9/1996 DiSandro ..... D23/385
- D382,953 S \* 8/1997 Kuo ..... D23/385
- D383,528 S \* 9/1997 Collmar ..... D23/377

- D386,258 S \* 11/1997 Pearce ..... D23/377
- D386,276 S \* 11/1997 Pearce ..... D23/377
- D390,649 S \* 2/1998 Pearce ..... D23/377
- D398,980 S \* 9/1998 Pearce ..... D23/377
- D417,495 S \* 12/1999 Yang ..... D23/385
- D420,733 S \* 2/2000 Chen ..... D23/377
- 6,037,876 A \* 3/2000 Crouch ..... G09F 9/33 340/815.53

(Continued)

**FOREIGN PATENT DOCUMENTS**

CA 187519 \* 2/2021

**OTHER PUBLICATIONS**

Ultimate Hockey Fans NHL Officially Licensed Ceiling Fan. (online) 5 pgs. Available Mar. 5, 2020. [retrieved Mar. 2, 2022] [https://www.amazon.com/Ultimate-Hockey-Fans-Officially-Philadelphia/dp/B0868YYG3R/ref=sr\\_1\\_3?keywords=Ultimate-Hockey-Fans&qid=1646255957&sr=8-3.\\*](https://www.amazon.com/Ultimate-Hockey-Fans-Officially-Philadelphia/dp/B0868YYG3R/ref=sr_1_3?keywords=Ultimate-Hockey-Fans&qid=1646255957&sr=8-3.*)

(Continued)

*Primary Examiner* — Marie D. Fast Horse

(57) **CLAIM**

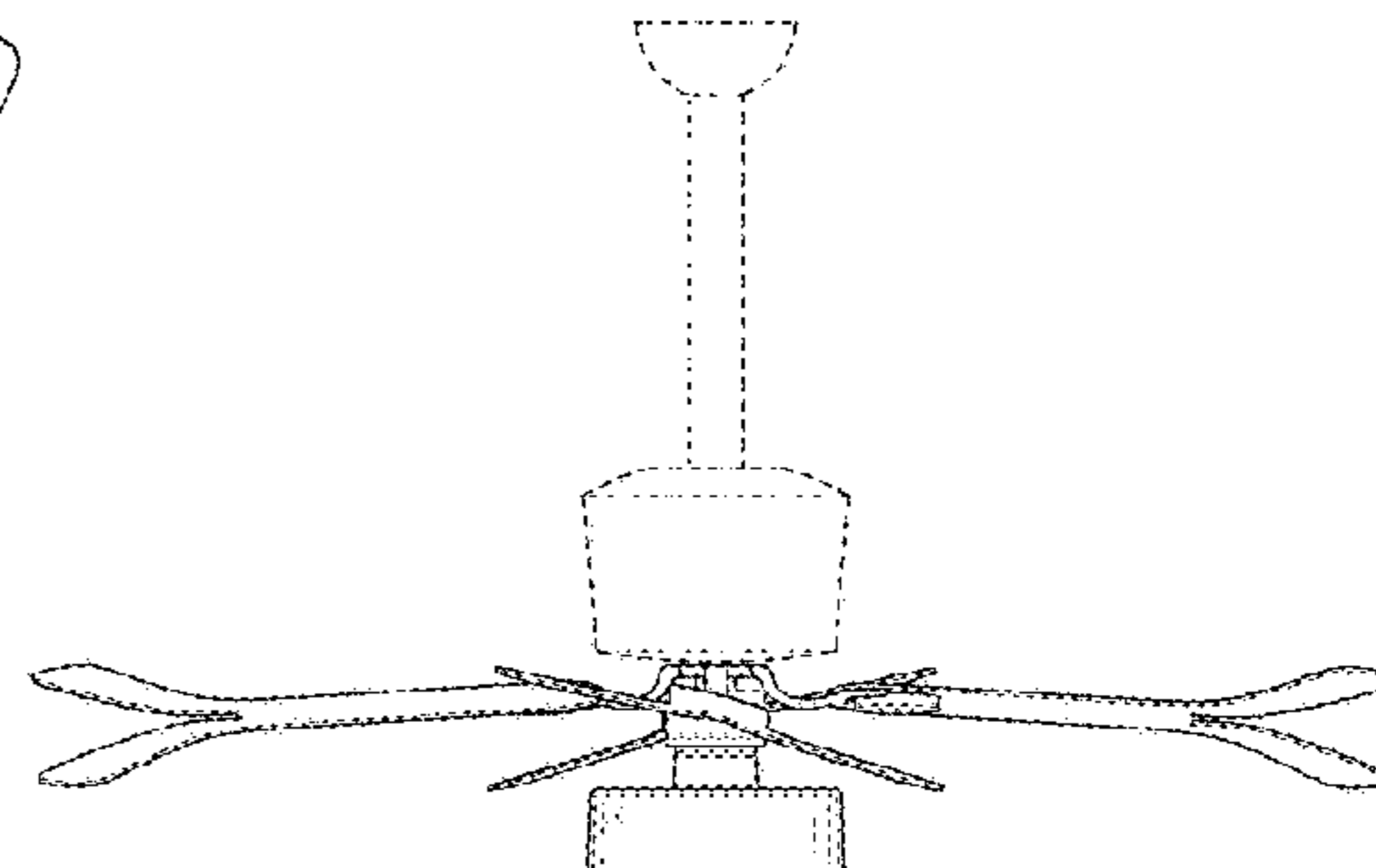
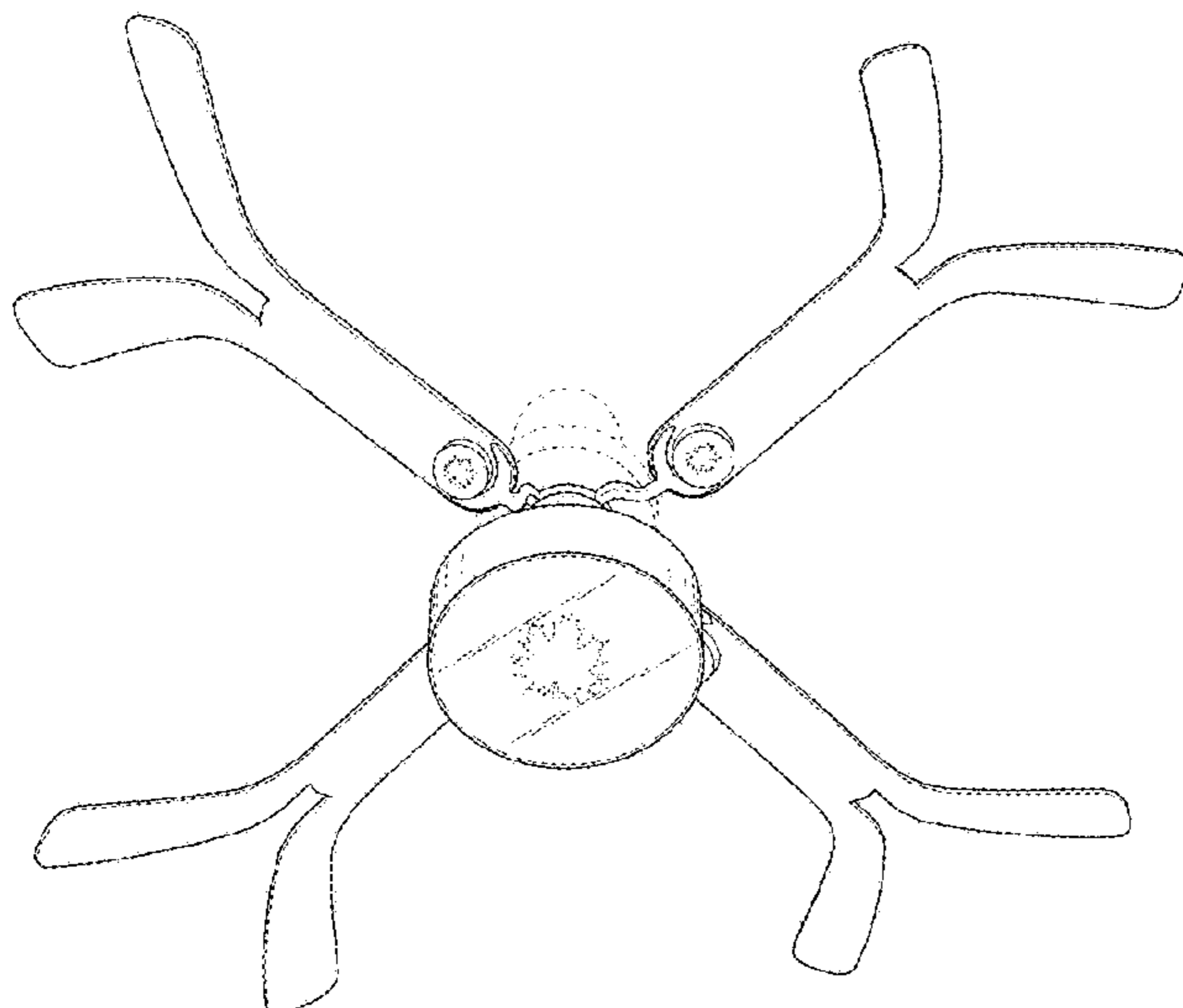
The ornamental design for a sports ceiling fan with puck shaped light kit, as shown and described.

**DESCRIPTION**

FIG. 1 is a bottom perspective view of a sports ceiling fan with puck shaped light kit showing my design; FIG. 2 is a top plan view thereof; FIG. 3 is a bottom plan view thereof; FIG. 4 is a left side elevational view thereof; FIG. 5 is a right side elevational view thereof; FIG. 6: is a rear view thereof; and, FIG. 7: is a front view thereof.

The broken lines in the drawings depict portions of the sports ceiling fan with puck shaped light kit that form no part of the claimed design.

**1 Claim, 7 Drawing Sheets**



(56)

**References Cited**

U.S. PATENT DOCUMENTS

D445,888	S *	7/2001	Lee	.....	D23/377
D478,655	S *	8/2003	Gajewski	.....	D23/413
D479,317	S *	9/2003	Gajewski	.....	D23/377
D484,270	S *	12/2003	Yiu	.....	D26/89
D487,580	S *	3/2004	Lee	.....	D20/29
D488,883	S *	4/2004	Davis	.....	D26/94
D505,455	S *	5/2005	Lee	.....	D20/29
D575,432	S *	8/2008	Nunes	.....	D26/73
D575,434	S *	8/2008	Nunes	.....	D26/73
D631,955	S *	2/2011	Villella	.....	D23/411
9,255,584	B2 *	2/2016	Villella	.....	F21V 33/0096
D765,903	S *	9/2016	Zhang	.....	D26/89
D812,214	S *	3/2018	Townsell	.....	D23/413
D813,370	S *	3/2018	Li	.....	D23/377
D833,058	S *	11/2018	Smith	.....	D26/94
D861,961	S *	10/2019	Smith	.....	D26/94
D905,889	S *	12/2020	Chen	.....	D26/72
D921,870	S *	6/2021	Cohen	.....	D23/377
2006/0140769	A1 *	6/2006	Frampton	.....	F04D 25/088 416/210 R
2020/0109714	A1 *	4/2020	Whittington	.....	F04D 25/088
2020/0109865	A1 *	4/2020	Whittington	.....	F04D 25/088

OTHER PUBLICATIONS

Ultimate Hockey Fans . (online image) 1 pg. [retrieved Jul. 7, 2020]  
[http://mobileimages.lowes.com/product/converted/100291/1002913668\\_16002871.jpg?size=pdhi.\\*](http://mobileimages.lowes.com/product/converted/100291/1002913668_16002871.jpg?size=pdhi.*)

\* cited by examiner

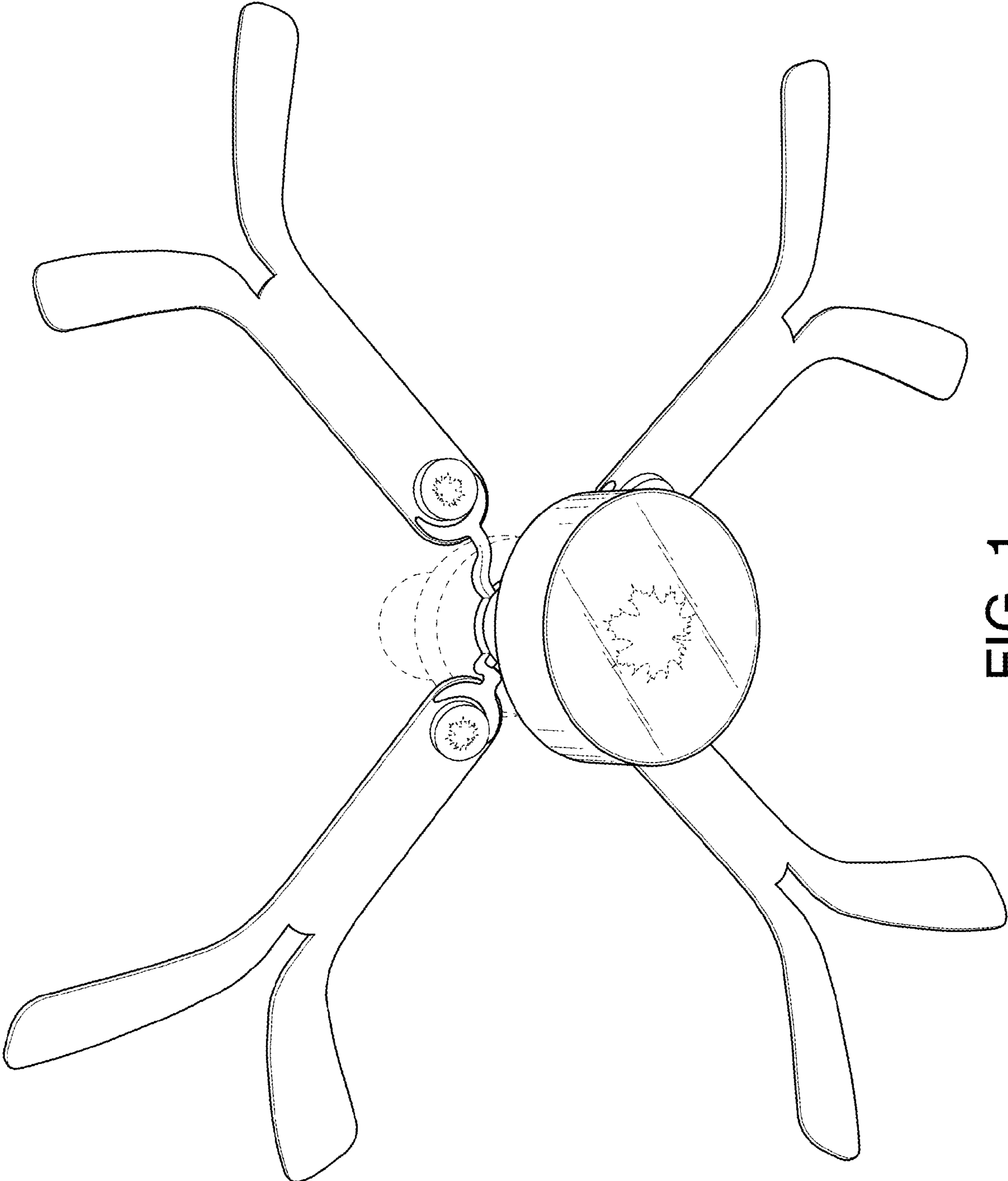


FIG. 1

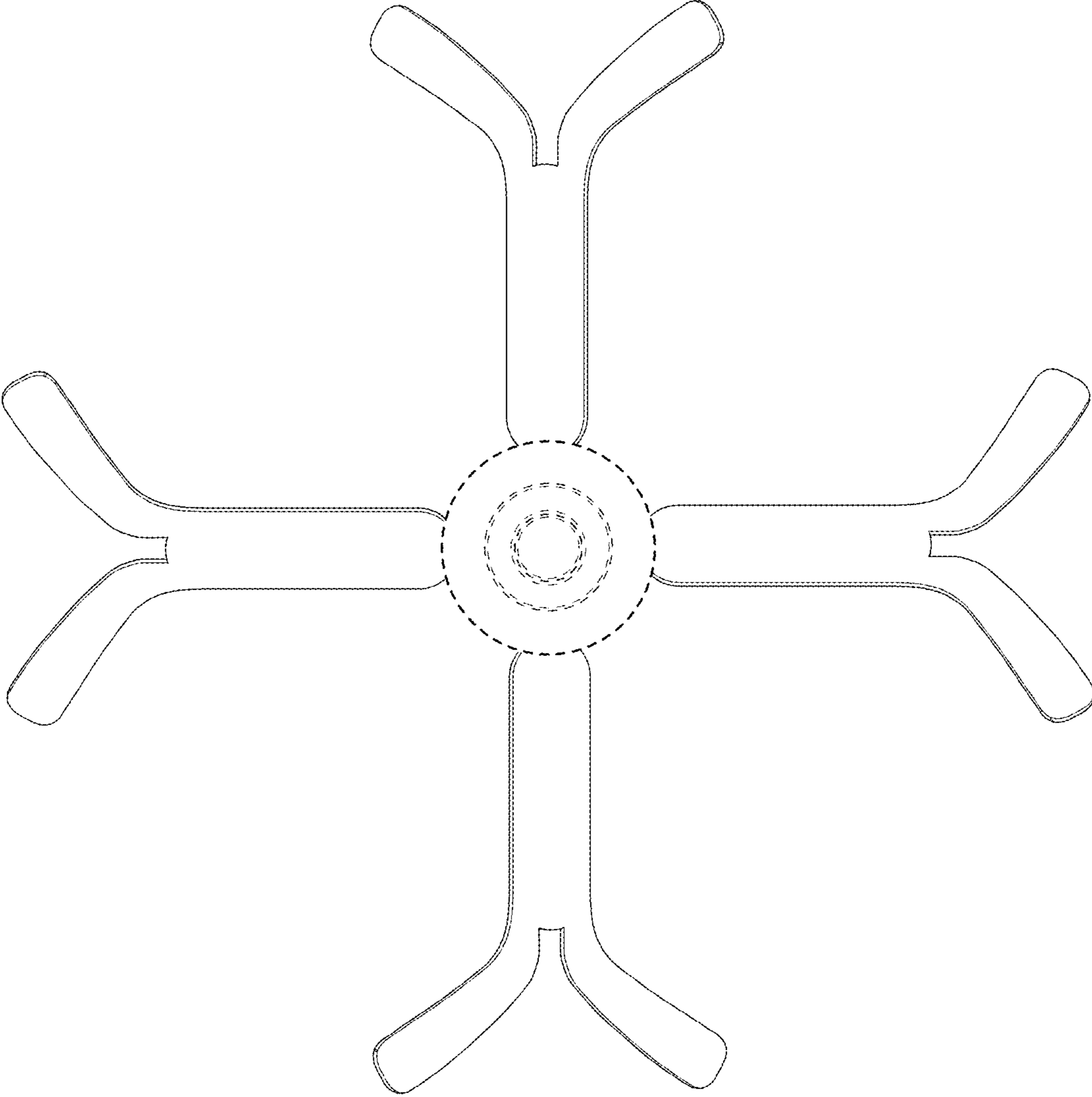


FIG. 2

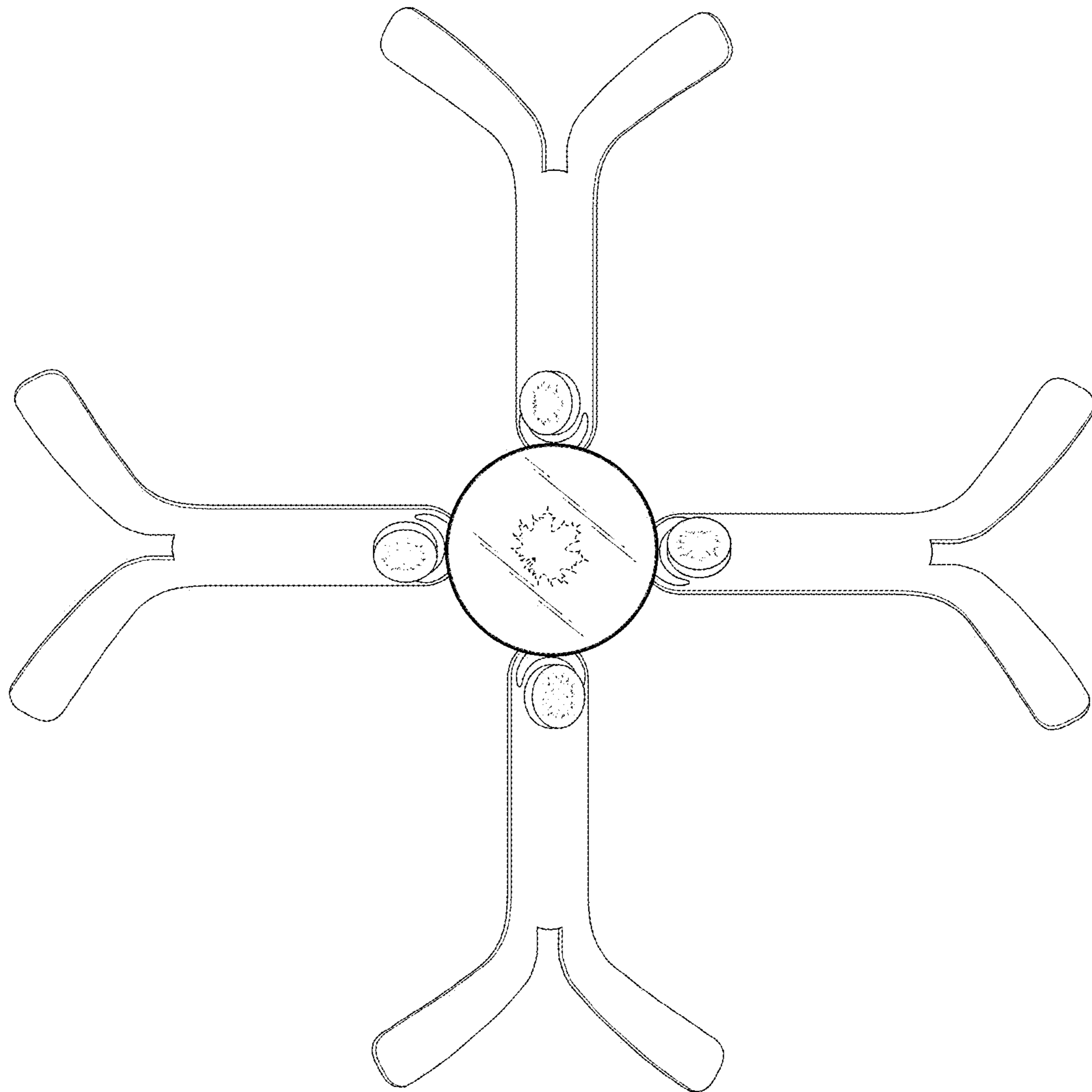


FIG. 3

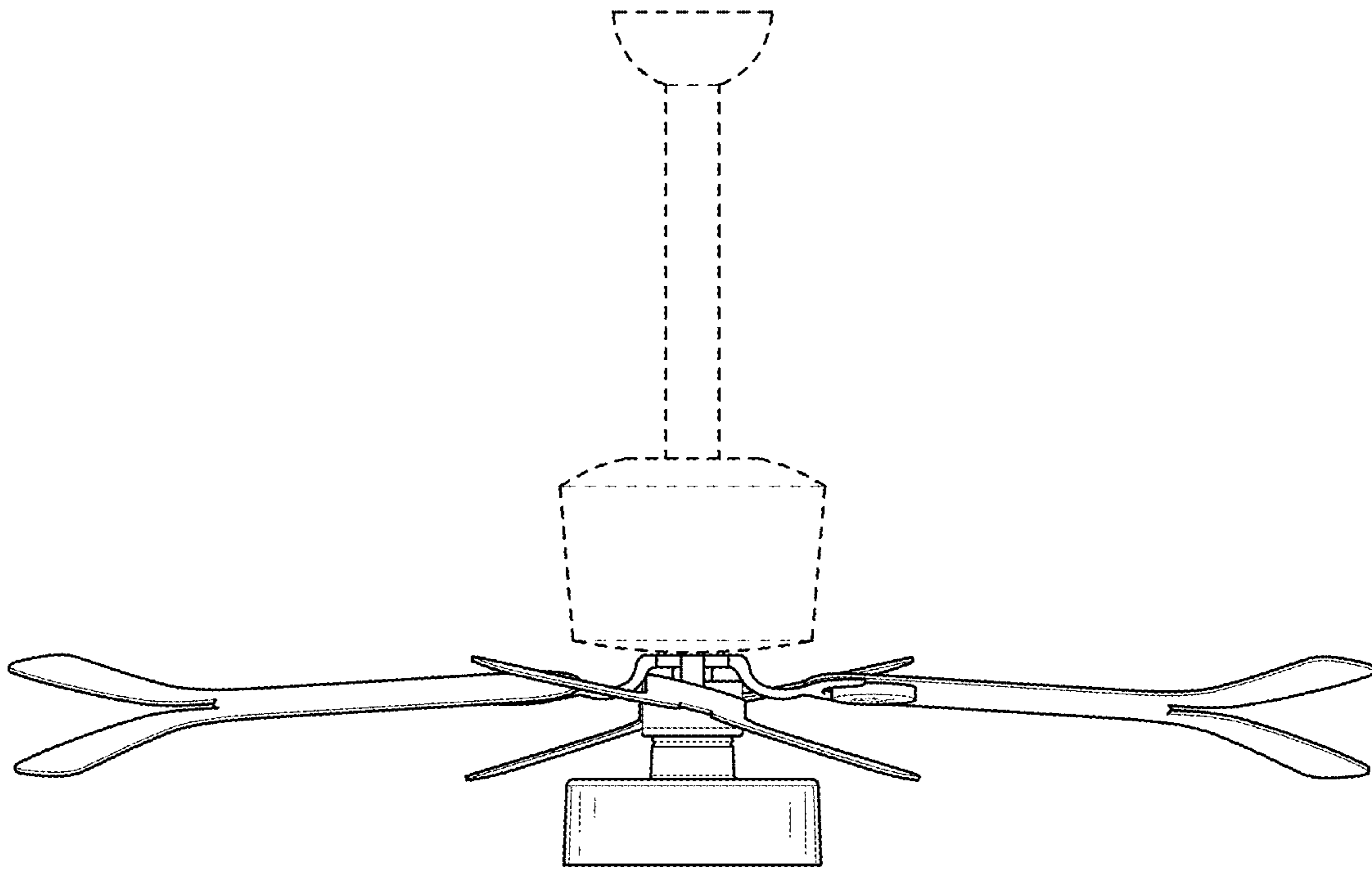


FIG. 4



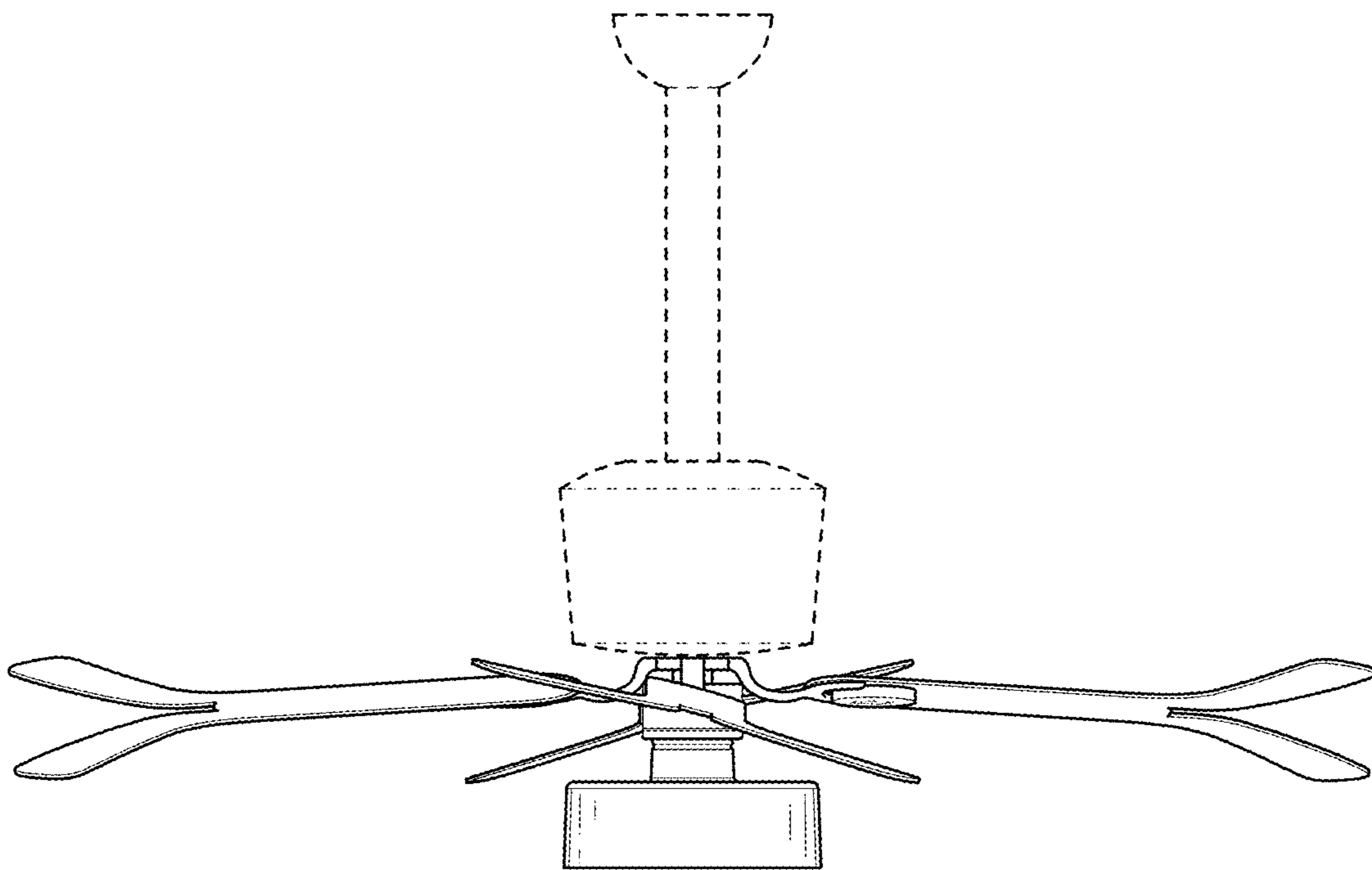


FIG. 5

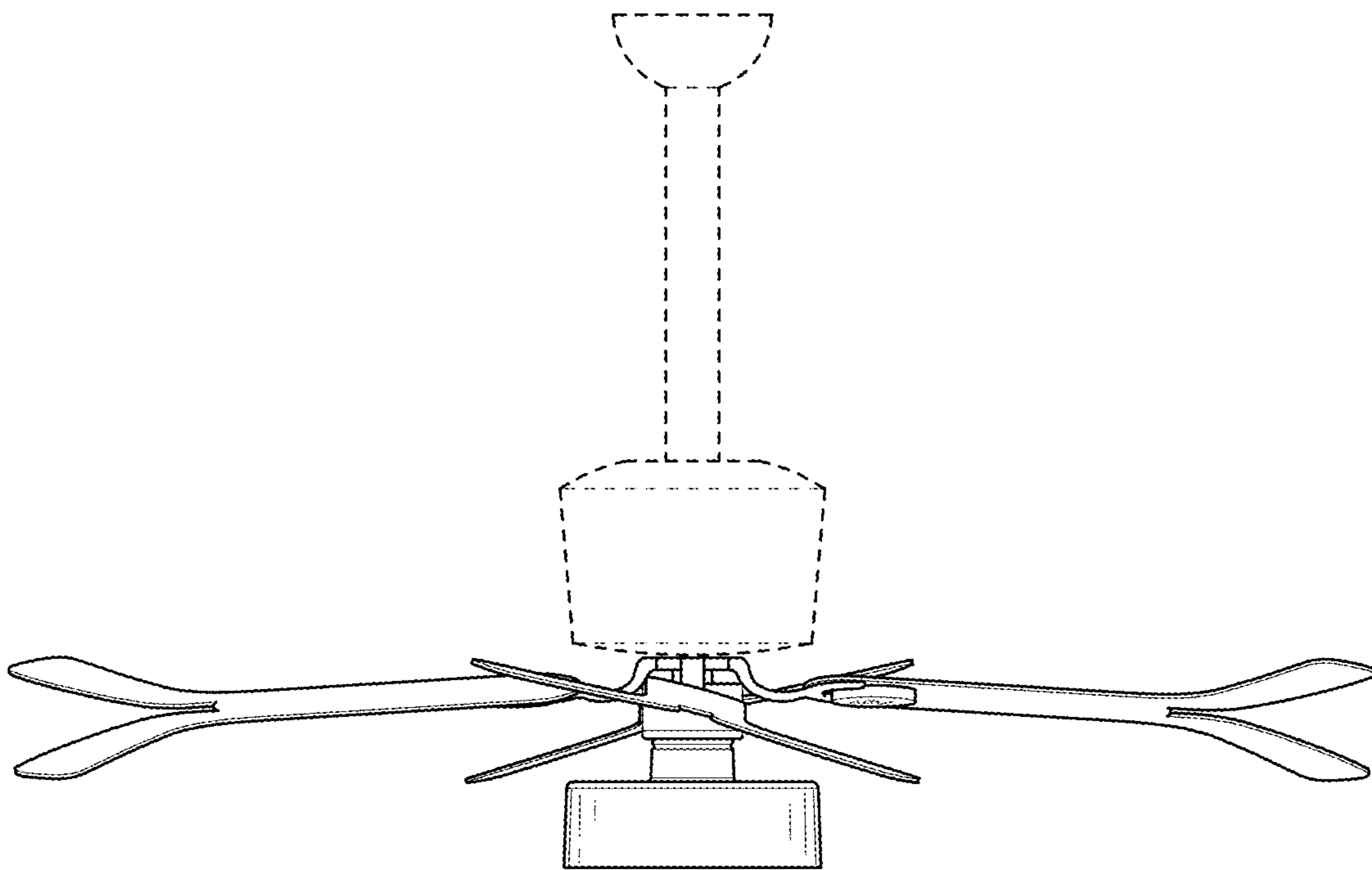


FIG. 6



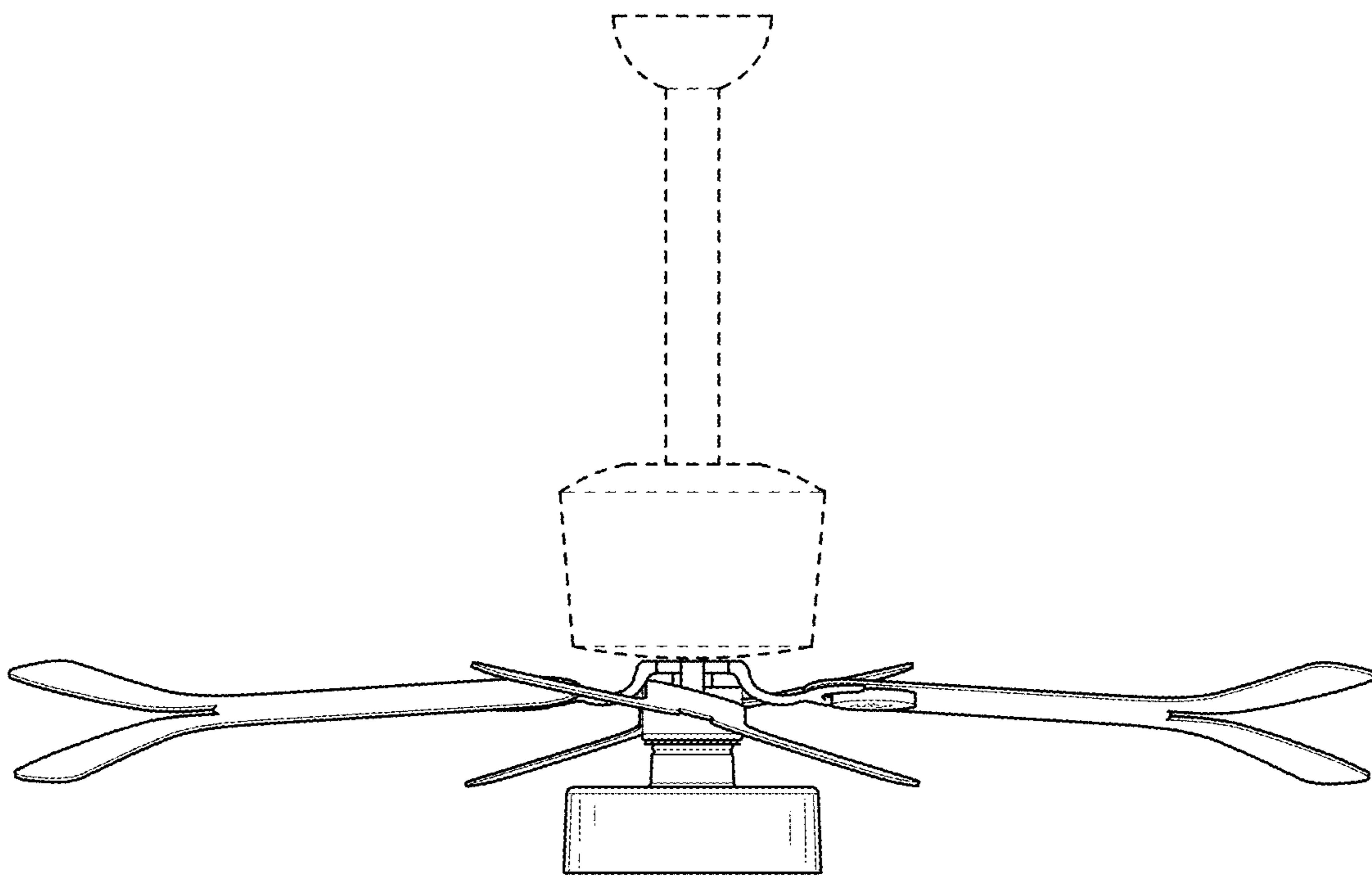


FIG. 7