



US00D950037S

(12) **United States Design Patent**
Holmes Bradley

(10) **Patent No.:** **US D950,037 S**

(45) **Date of Patent:** **** Apr. 26, 2022**

(54) **CEILING FAN**

D877,309 S * 3/2020 Pickett D23/377
D877,310 S * 3/2020 Wang D23/377
D877,316 S * 3/2020 Wang D23/411

(71) Applicant: **HUNTER FAN COMPANY**,
Memphis, TN (US)

(72) Inventor: **Christine Marie Holmes Bradley**,
Memphis, TN (US)

(73) Assignee: **Hunter Fan Company**, Memphis, TN
(US)

(**) Term: **15 Years**

(21) Appl. No.: **29/739,423**

(22) Filed: **Jun. 25, 2020**

(51) **LOC (13) Cl.** **23-04**

(52) **U.S. Cl.**
USPC **D23/377**

(58) **Field of Classification Search**
USPC D23/370, 377, 379, 385, 411-414;
D26/59

CPC F04D 25/088; F04D 29/38; F04D 29/384;
F04D 29/386; F21V 33/0096

See application file for complete search history.

(56) **References Cited**

U.S. PATENT DOCUMENTS

D382,637 S	8/1997	Lee	
D404,480 S	1/1999	Liu	
D427,672 S	7/2000	Lee	
D445,887 S	7/2001	Campbell	
D707,336 S	6/2014	Pan	
D789,510 S	6/2017	Wang	
D796,024 S	8/2017	Holmes	
D800,288 S	10/2017	Jones	
D805,174 S *	12/2017	Guthrie	D23/377
D810,915 S *	2/2018	Guthrie	D23/377
D810,917 S	2/2018	Holmes	
D810,922 S	2/2018	Jones	
D817,476 S	5/2018	Holmes	
D872,252 S *	1/2020	McRoberts	D23/377
D874,633 S *	2/2020	McRoberts	D23/377

OTHER PUBLICATIONS

Menards, "Hunter Juliet 52" Matte Black LED Ceiling Fan", webpage
<<https://www.menards.com/main/lighting-ceiling-fans/ceiling-fans/indoor-ceiling-fans/hunter-reg-juliet-52-matte-black-led-ceiling-fan/59223/p-1471978730909.html>>, site visited Jun. 27, 2018, 4 pages,
US.

(Continued)

Primary Examiner — Sharon S Oum

(74) *Attorney, Agent, or Firm* — McGarry Bair PC

(57) **CLAIM**

The ornamental design for a ceiling fan, as shown and described.

DESCRIPTION

FIG. 1 is a top perspective view of a ceiling fan showing my new design.

FIG. 2 is a bottom perspective view thereof;

FIG. 3 is a top view thereof;

FIG. 4 is a bottom view thereof;

FIG. 5 is a front view thereof;

FIG. 6 is a rear view thereof;

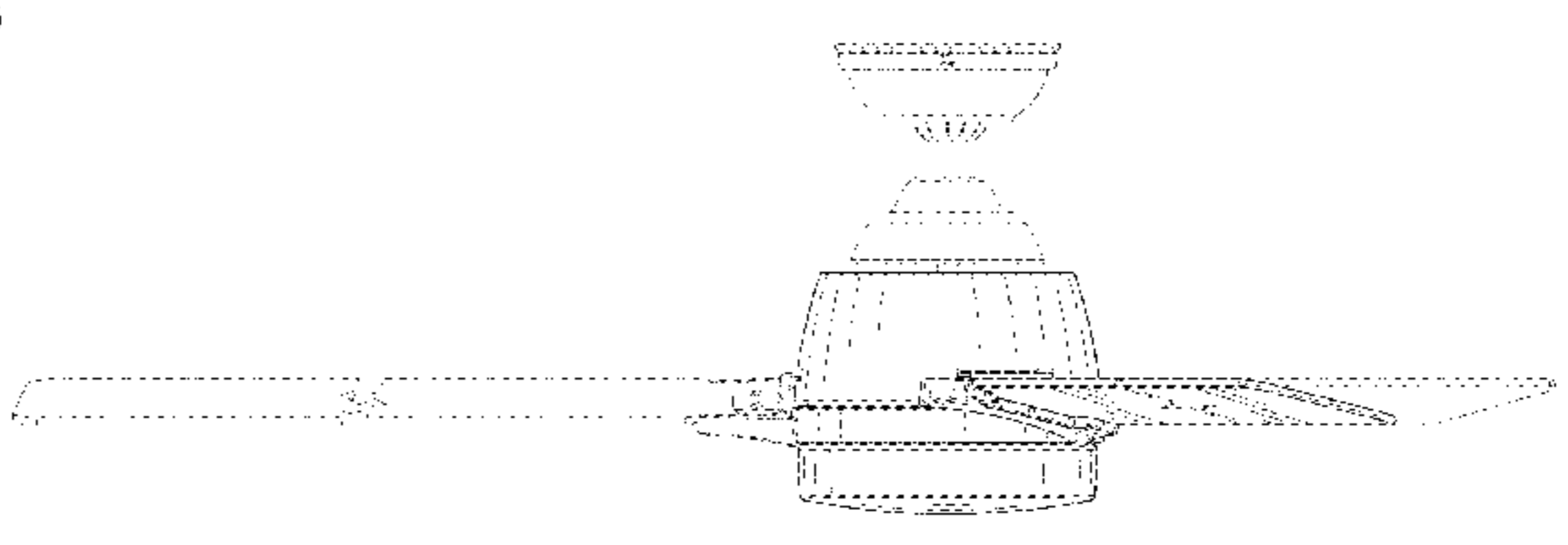
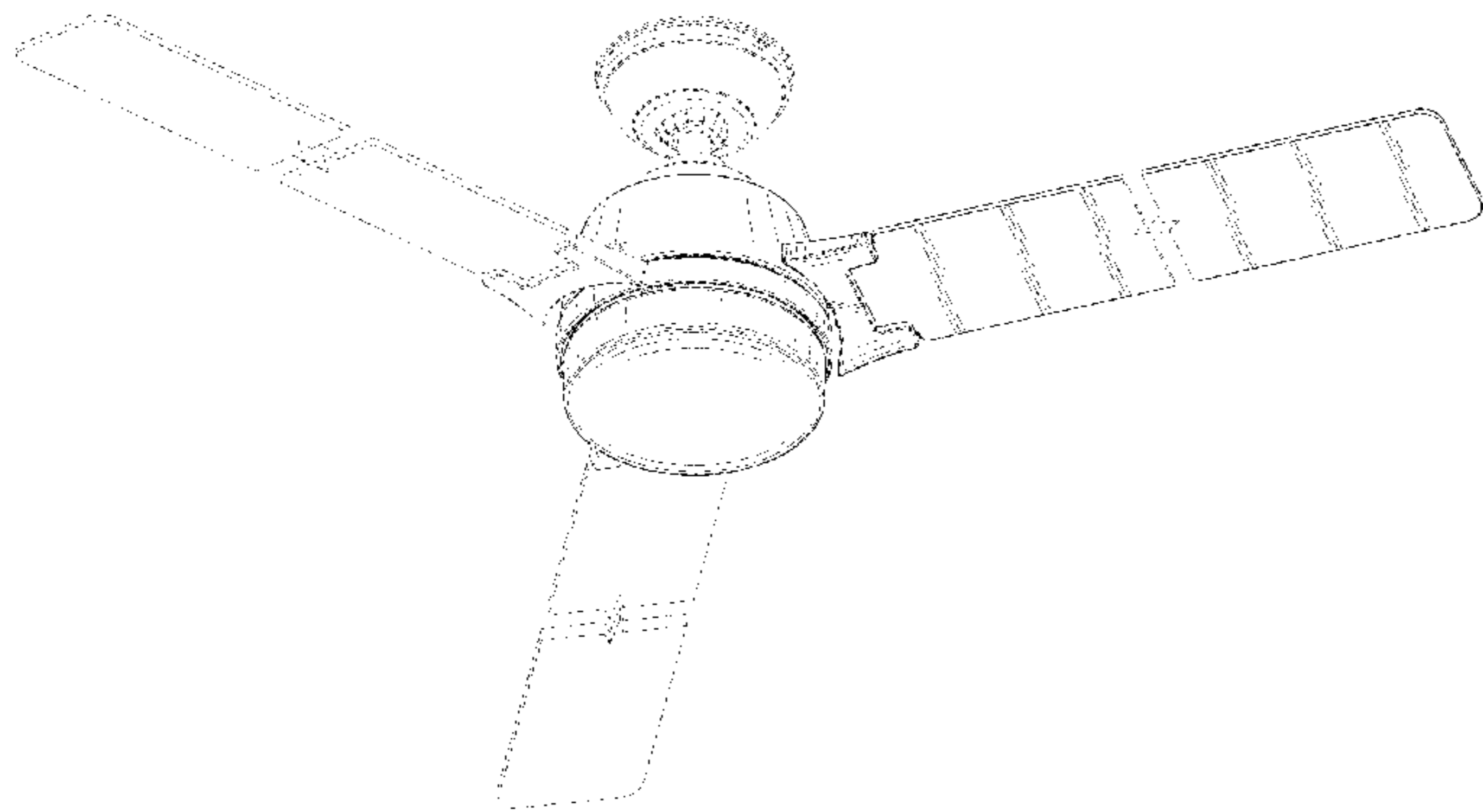
FIG. 7 is a right-side view thereof; and,

FIG. 8 is a left-side view thereof.

The broken lines illustrate portions of the ceiling fan that form no part of the claimed design.

Jagged broken lines represent broken away symbols and form no part of the claimed design. The ceiling fan blades are shown with a symbolic break in their length. The appearance of any portion of the ceiling fan blades between the break lines forms no part of the claimed design.

1 Claim, 8 Drawing Sheets



(56)

References Cited

OTHER PUBLICATIONS

Craftmade, “Ricasso—RIC60”, webpage <<https://www.craftmade.com/ricasso-ric60>>, site visited Jun. 27, 2018, 2 pages, US.

The Modern Fan Co. “Gusto Flush”, webpage <<https://modernfan.com/fan/gusto-flush-mount/>>, site visited Jun. 27, 2018, 2 pages, US.

Menards, “Turn of the Century Ashton 52' Brushed Nickel Indoor Ceiling Fan”, webpage <<https://www.menards.com/main/lighting-ceiling-fans/ceiling-fans/indoor-ceiling-fans/turn-of-the-century-reg-ashton-52-brushed-nickel-traditional-ceiling-fan/35060/p-1444424531588-c-7488.htm?tid=-7462973461753323005&ipos=38>>, site visited Jun. 27, 2018, 3 pages, US.

Hunter, “Signal with LED Light 54 Inch”, webpage <<https://www.hunterfan.com/ceiling-fans/signal-with-led-light-54-inch-fam740>> site visited Jun. 27, 2018, 9 pages, US.

Craftmade, “Connery—CON48”, webpage <<https://www.craftmade.com/connery-con48>> site visited Jun. 27, 2018, 2 pages, US.

Emerson, “Ideal”, webpage <<https://ceilingfans.emerson.com/en-us/shop/fan/fans-s-emerson-fans/emerson-fans-browse-all/fan-cf330>>. site visited Jun. 27, 2018, 2 pages, US.

Hunter, “Exeter with LED Light 54 Inch”, webpage <<https://www.hunterfan.com/ceiling-fans/exeter-with-led-light-54-inch-fam800>> site visited Jun. 27, 2018, 7 pages, US.

Fanimation, “Xeno”, webpage <<http://www.fanimation.com/products/index.php/fans/xeno.html>> site visited Jun. 27, 2018, 6 pages, US.

Craftmade, “Beltre—BEL52BNK3-LED-UCI”, webpage <<http://www.craftmade.com/beltre-bel52bnk3-led-uci>>, 2 pages, US.

Hunter, “Leoni with LED Light 48 Inch”, webpage <<https://www.hunterfan.com/ceiling-fans/leoni-with-led-light-48-inch-fam705>> site visited Jun. 27, 2018, 5 pages, US.

Hunter, “Tarrant with LED Light 36 Inch” webpage <<https://www.hunterfan.com/ceiling-fans/leoni-with-led-light-48-inch-fam705>> site visited Jun. 27, 2018, 4 pages, US.

Kichler, “Zeus Collection 60 Inch Zeus Ceiling Fan NI”, webpage <<http://www.kichler.com/products/product/60-inch-zeus-ceiling-fan-ni-300060ni.aspx>> site visited Jun. 27, 2018, 3 pages, US.

* cited by examiner

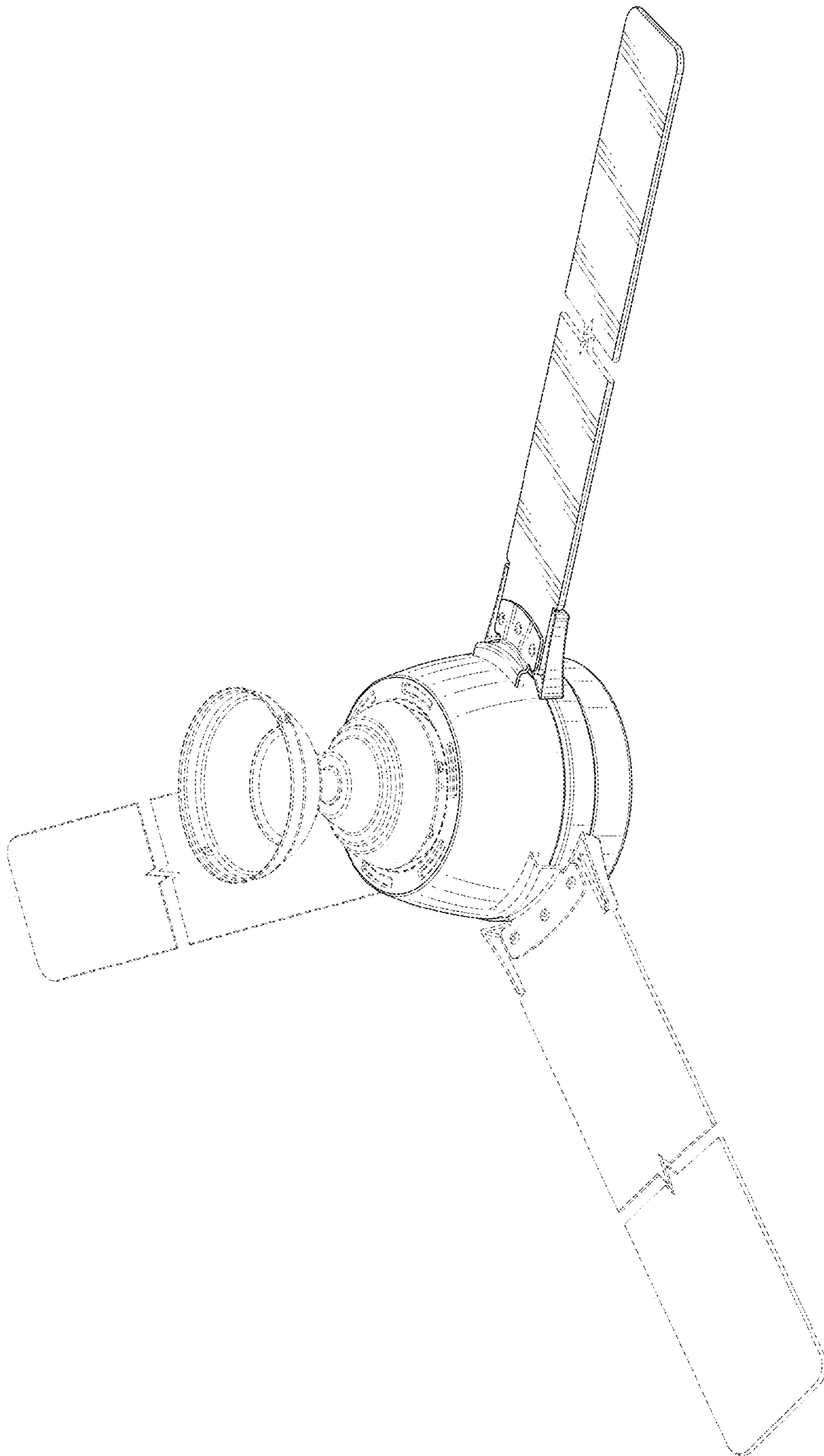


FIG. 1

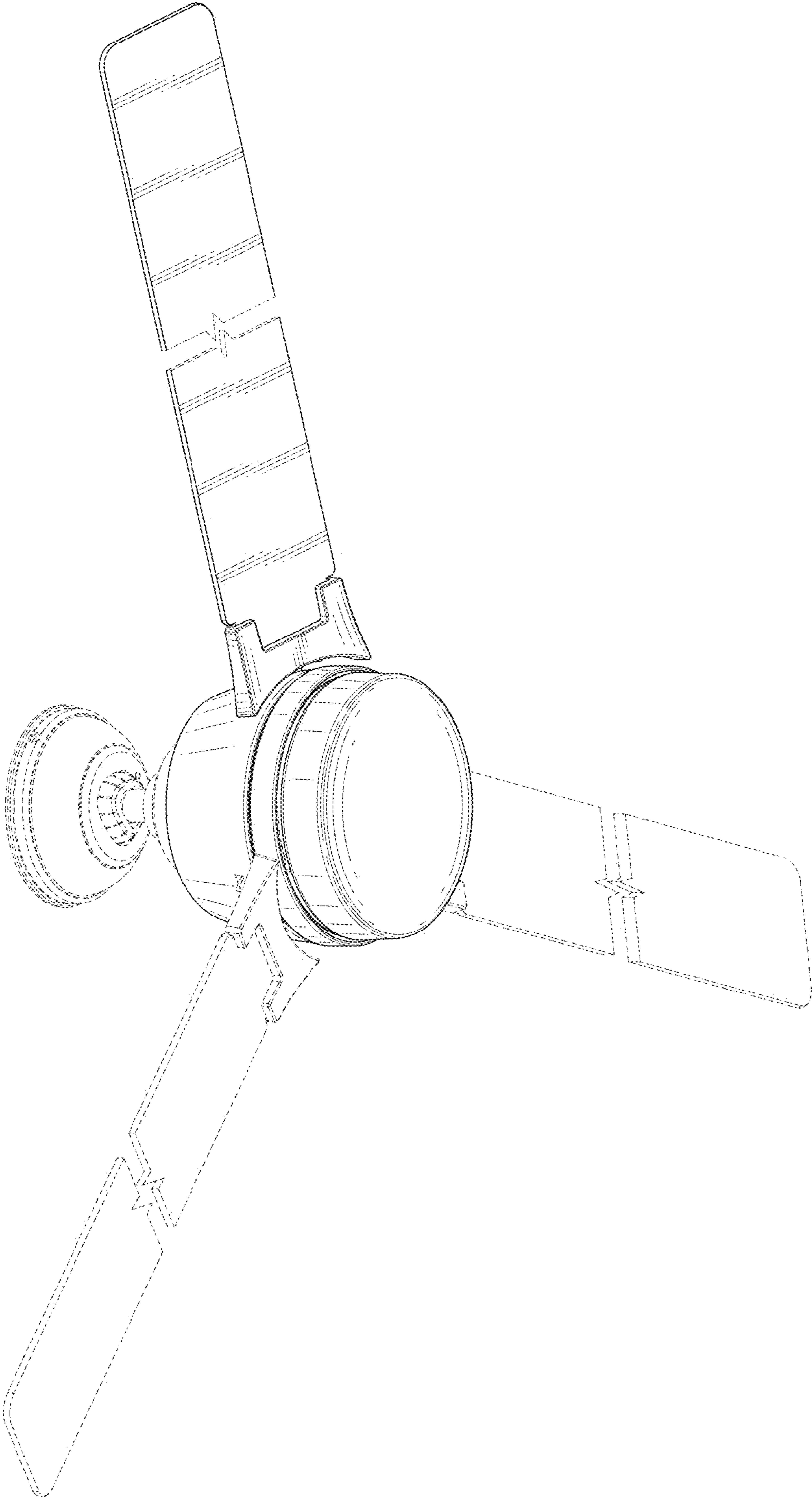


FIG. 2

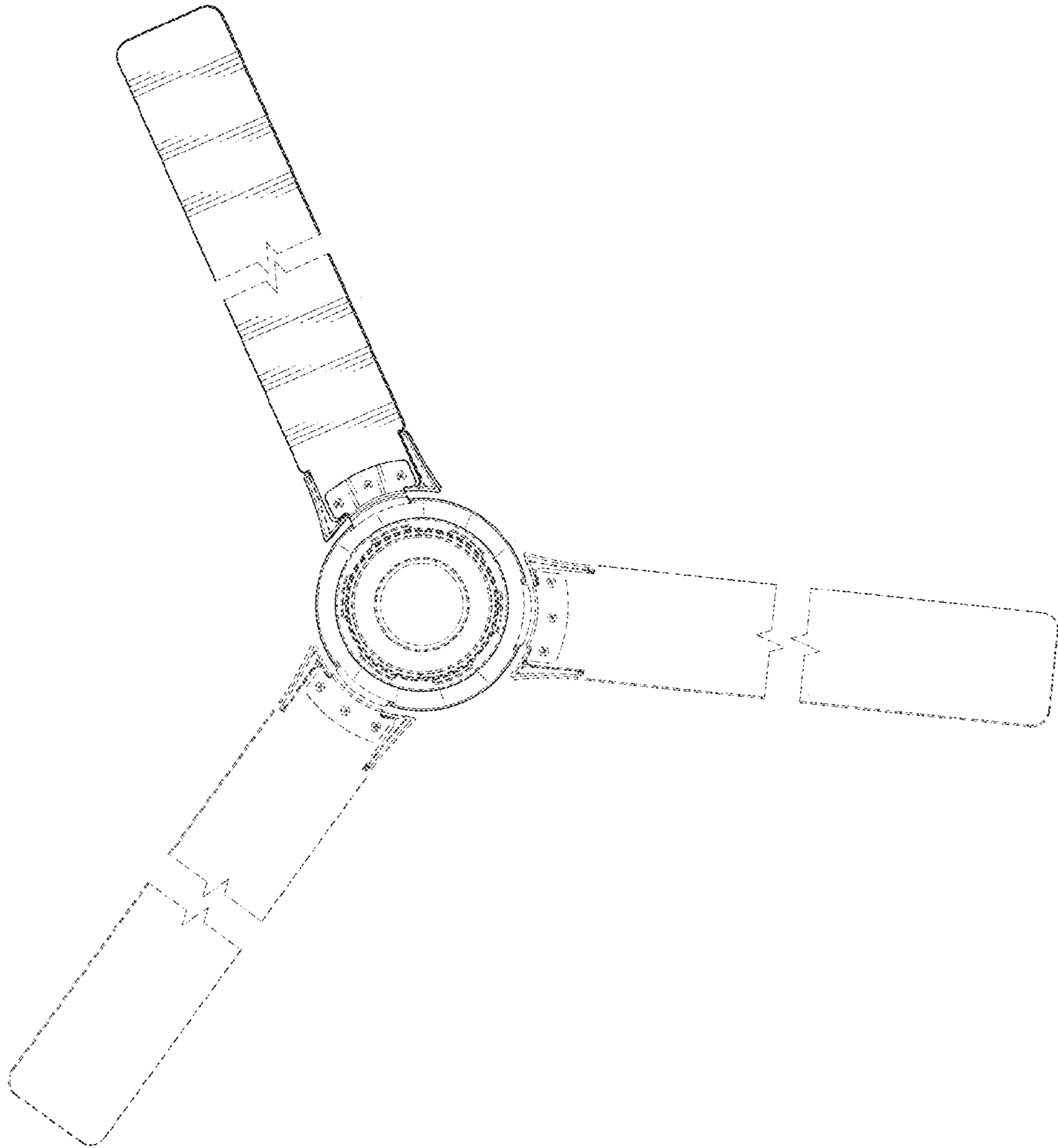


FIG. 3

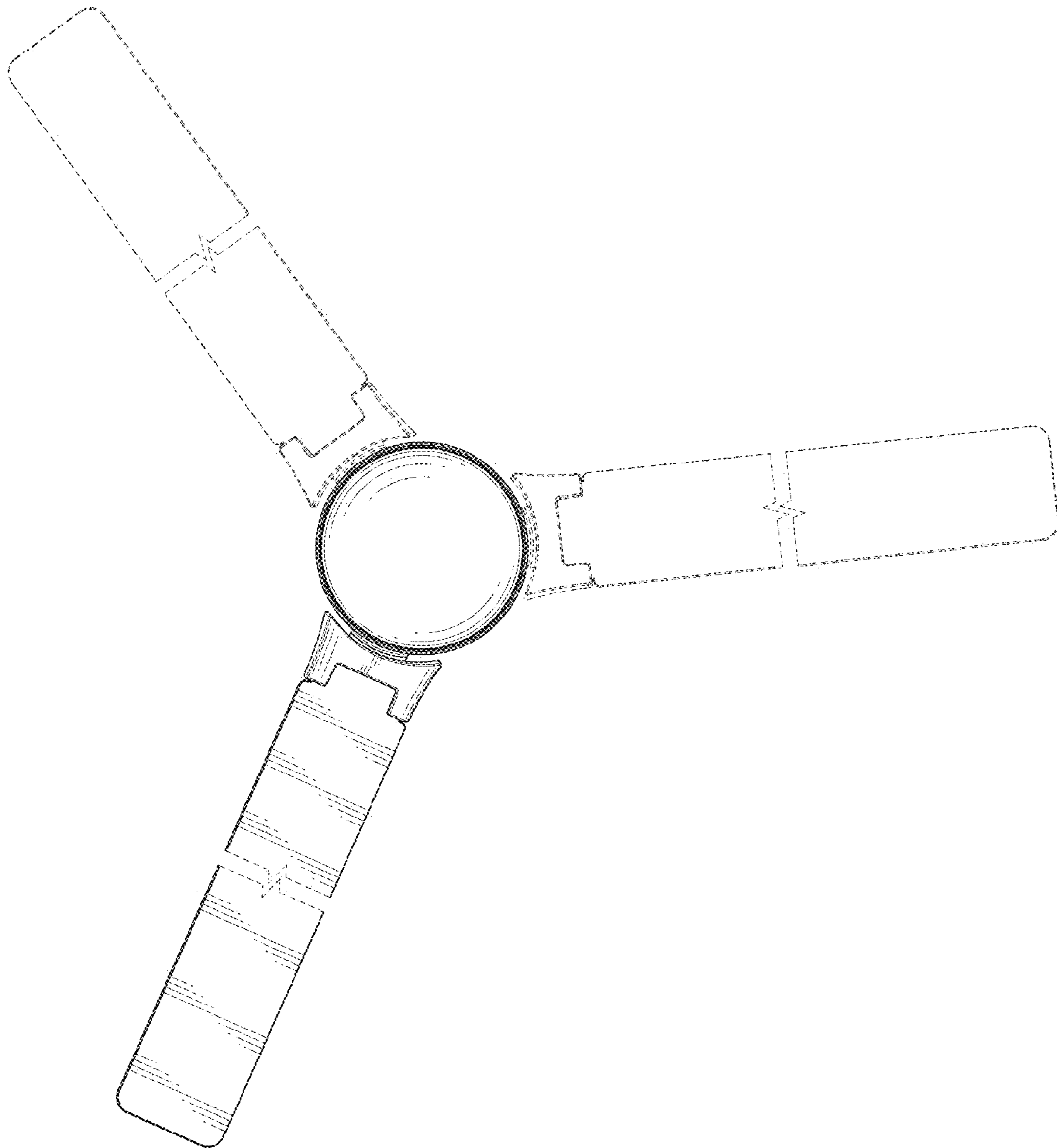


FIG. 4

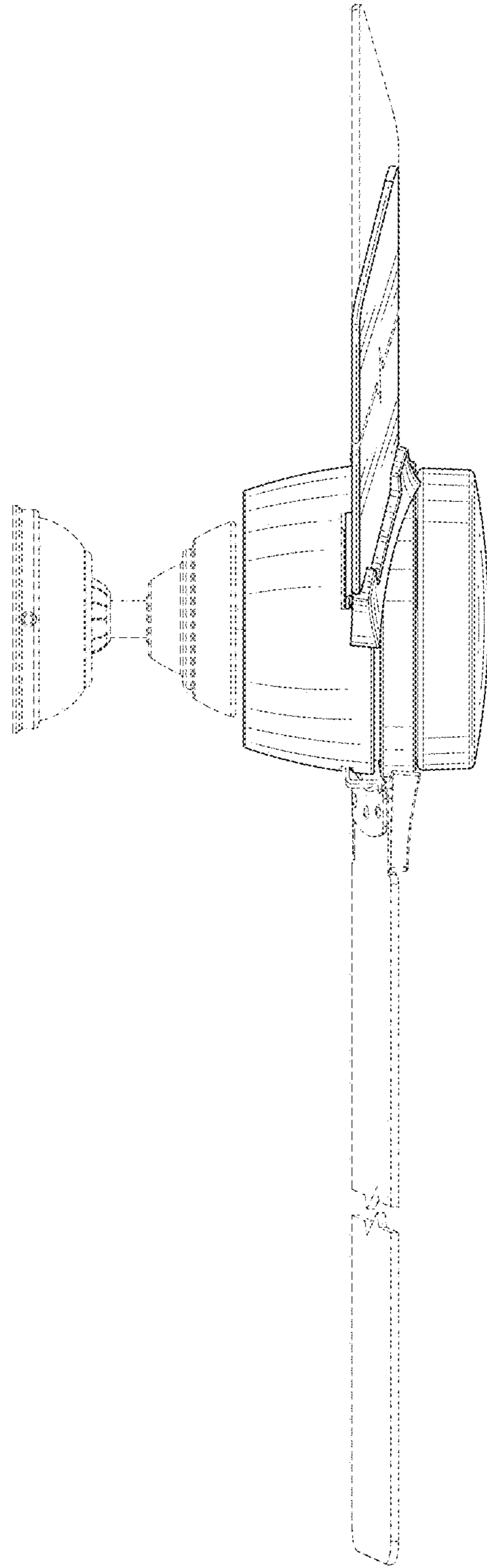


FIG. 5

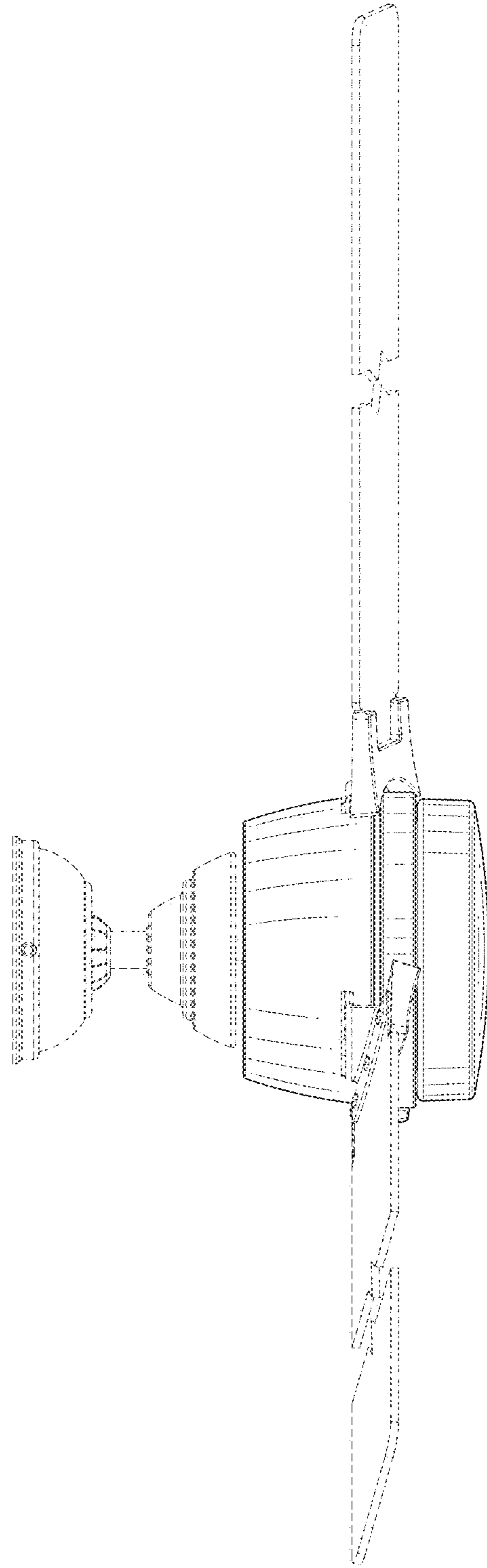


FIG. 6

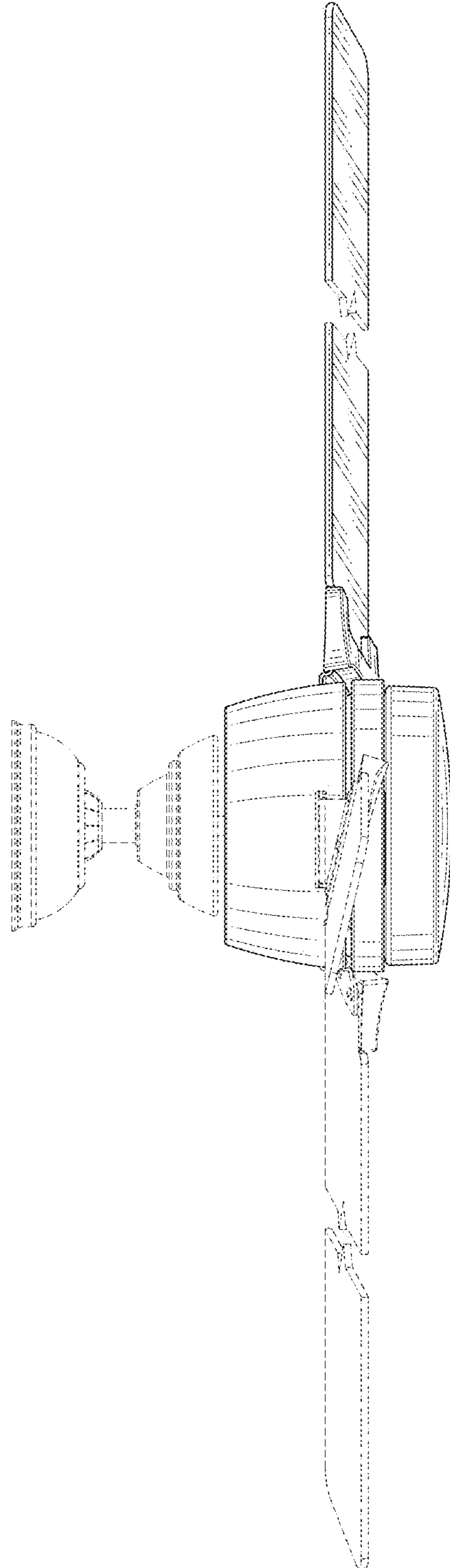


FIG. 7

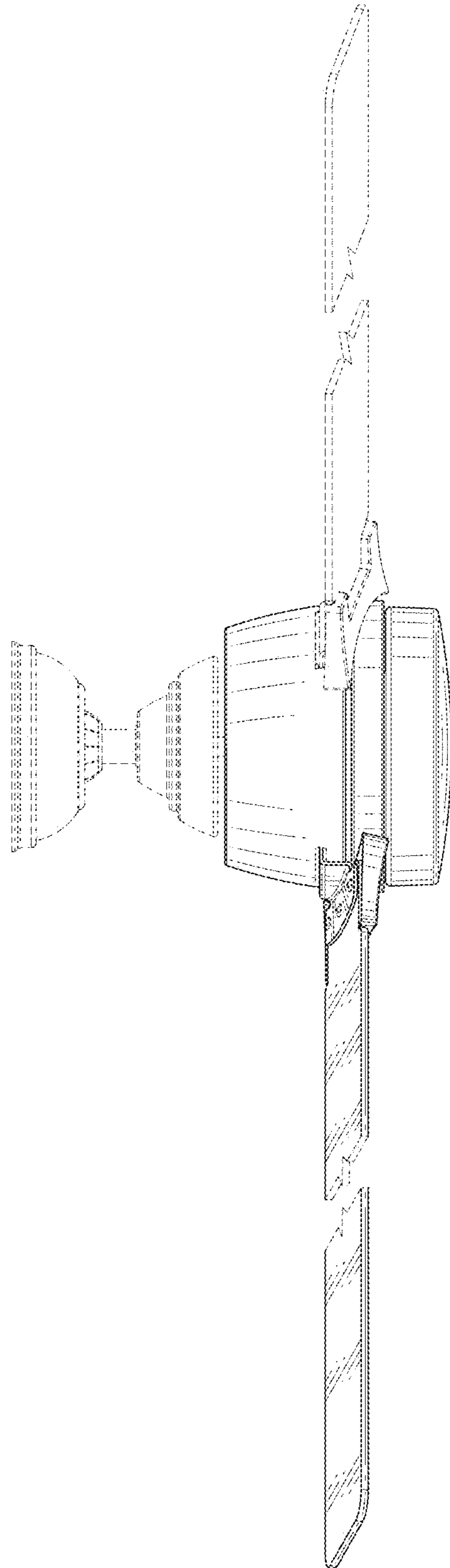


FIG. 8