



US00D950036S

(12) **United States Design Patent** (10) **Patent No.:** **US D950,036 S**
Eiffert (45) **Date of Patent:** **** Apr. 26, 2022**

(54) **CEILING FAN**
(71) Applicant: **Hunter Fan Company**, Memphis, TN (US)
(72) Inventor: **Ryan Lee Eiffert**, Memphis, TN (US)
(73) Assignee: **Hunter Fan Company**, Memphis, TN (US)
(**) Term: **15 Years**
(21) Appl. No.: **29/737,440**
(22) Filed: **Jun. 9, 2020**
(51) **LOC (13) Cl.** **23-04**
(52) **U.S. Cl.**
USPC **D23/377**
(58) **Field of Classification Search**
USPC D23/370, 377, 379, 385, 411-414;
D26/59
CPC F04D 25/088; F04D 29/38; F04D 29/384;
F04D 29/386; F21V 33/0096
See application file for complete search history.

D808,002 S * 1/2018 Holmes D23/377
D810,918 S * 2/2018 Holmes D23/377
D821,009 S * 6/2018 Holmes D26/59
D859,630 S * 9/2019 Puerto D23/385
D872,850 S * 1/2020 Haggar D23/377
D883,465 S * 5/2020 Byrne D23/377
D890,911 S * 7/2020 Holmes D23/377

(Continued)

OTHER PUBLICATIONS

<https://www.hunterfan.com/ceiling-fans/coral-gables-outdoor-with-led-light-54-inch-fan796>. Hunter fan Coral Gables Outdoor with LED Light 54 inch Ceiling Fan, Item No. 59280, accessed May 14, 2019.

(Continued)

Primary Examiner — Sharon S Oum
(74) *Attorney, Agent, or Firm* — McGarry Bair PC

(57) **CLAIM**

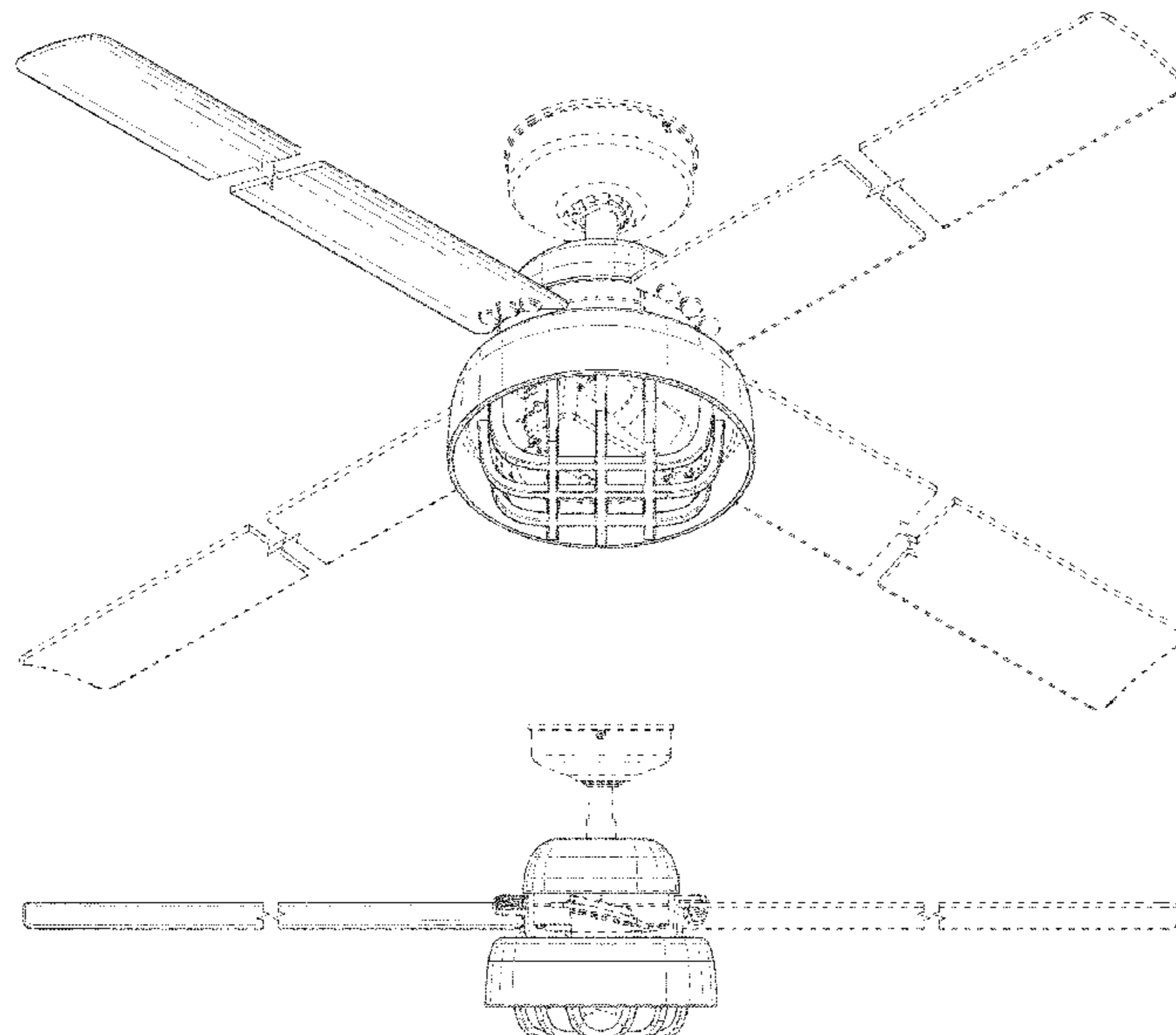
The ornamental design for a ceiling fan, as shown and described.

DESCRIPTION

FIG. 1 is a top perspective view of a ceiling fan, showing my new design;
FIG. 2 is a bottom perspective view thereof;
FIG. 3 is a top view thereof;
FIG. 4 is a bottom view thereof; and,
FIG. 5 is a front side view thereof, where the rear, left, and right side views are identical thereto.
The broken lines illustrate portions of the ceiling fan that form no part of the claimed design. Jagged broken lines represent broken away symbols and form no part of the claimed design. -The ceiling fan blades are shown with a symbolic break in their length. The appearance of any portion of the ceiling fan blades between the break lines forms no part of the claimed design.

1 Claim, 5 Drawing Sheets

(56) **References Cited**
U.S. PATENT DOCUMENTS
D435,289 S 12/2000 Liu
D465,277 S 11/2002 Sonneman
D476,406 S 6/2003 Friedes
D476,411 S 6/2003 Friedes
D502,770 S 3/2005 Hidalgo
D510,622 S 10/2005 Tai
D516,200 S 2/2006 Pickett
D517,675 S 3/2006 Young
D521,625 S 5/2006 Young
D528,645 S * 9/2006 Young D23/377
D799,662 S 10/2017 McRoberts
D800,289 S 10/2017 Guthrie
D804,635 S 12/2017 Holmes
D804,638 S 12/2017 Guthrie
D806,852 S 1/2018 Holmes



(56)

References Cited

U.S. PATENT DOCUMENTS

D923,770 S * 6/2021 Holmes D23/377
D936,814 S * 11/2021 Holmes Bradley D23/377

OTHER PUBLICATIONS

<http://www.minkagroup.net/products/f582-orb>, Maina Aire Rainman 54" 5-Blde Ceiling Fan in Oil Rubbed Bronze Finish with Taupe Blades Integrated Light with Vintage Amber Glass, Model No. F582-ORB, accessed May 14, 2019.

<https://www.lowes.com/pd/Harbor-Breeze-Breeze-Altissa-52-in-Matte-White-Indoor-Outdoor-Downrod-Mount-Ceiling-Fan-with-Light-Kit/1000380559>, Harbor Breeze Altissa 52" Matte White LED Indoor/Outdoor Downrod Ceiling Fan with Light Kit, Model No. 00593, accessed May 14, 2019.

<https://www.kichler.com/kichler/products/ceiling-fans/indoor-ceiling-fans/maor-patio-65-ceiling-fan--distressed-black-dbk/>, Kichler Maor Patio LED 65" Ceiling Fan in Distressed Black, Model No. 310136DBK, accessed May 14, 2019.

<https://www.hunterfan.com/ceiling-fans/mill-valley-outdoor-with-light-52-inch-fam793>, Hunter Fan Mill Valley Outdoor with Light 52" Ceiling Fan, Item No. 59307, accessed May 14, 2019.

<https://www.craftmade.com/morrow-bay-mr56esp4c1>, Craftmade Morrow Bay 56" Ceiling Fan with Blades and Light Kit, Model No. MR56ESP4C1, accessed May 14, 2019.

<https://www.hunterfan.com/ceiling-fans/landsdowne-outdoor-low-profile-with-light-52-inch-fam591>, Hunter Fan Landsdowne Outdoor Low Profile 52" Ceiling Fan with Light, Item No. 59190, accessed May 14, 2019.

* cited by examiner

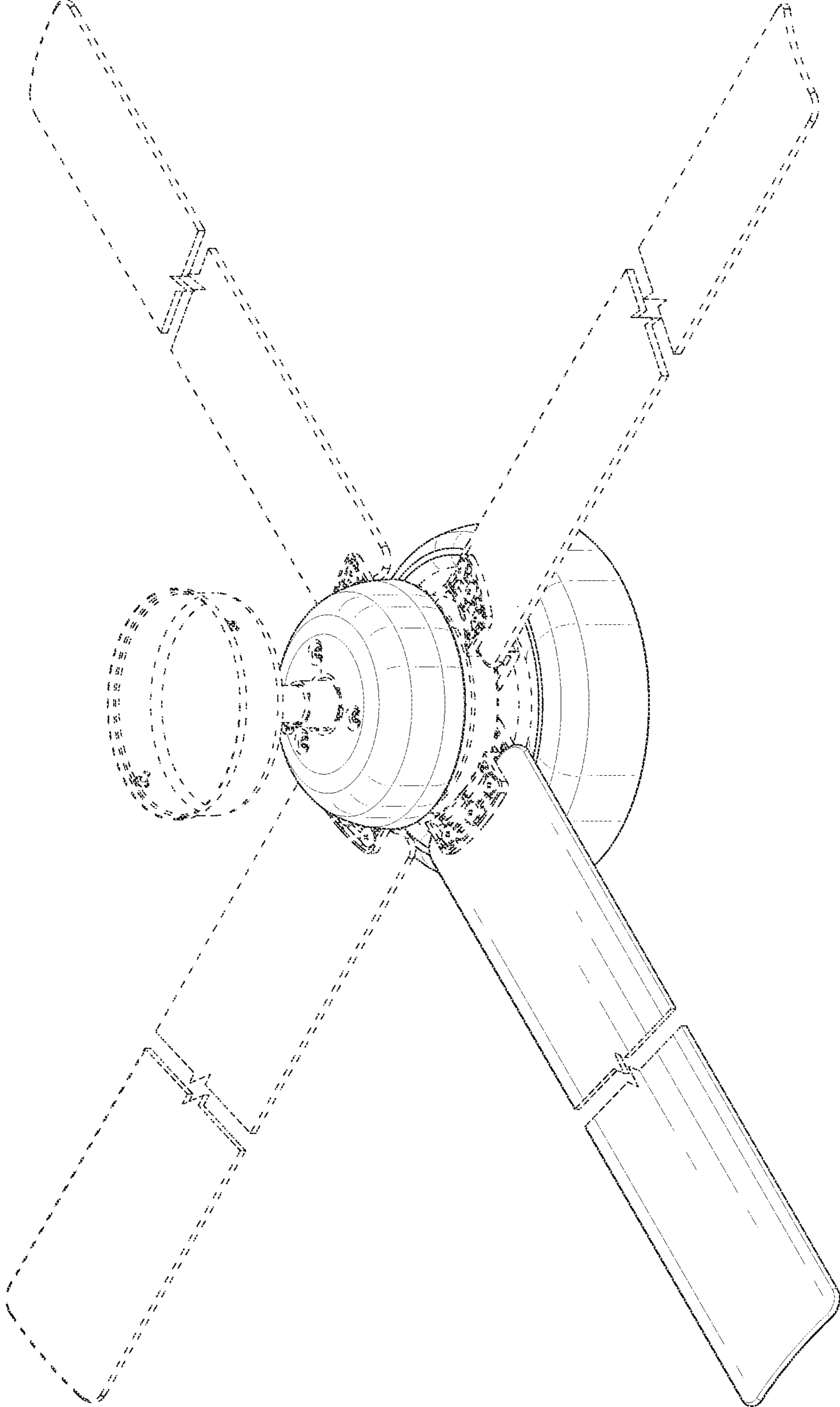


FIG. 1

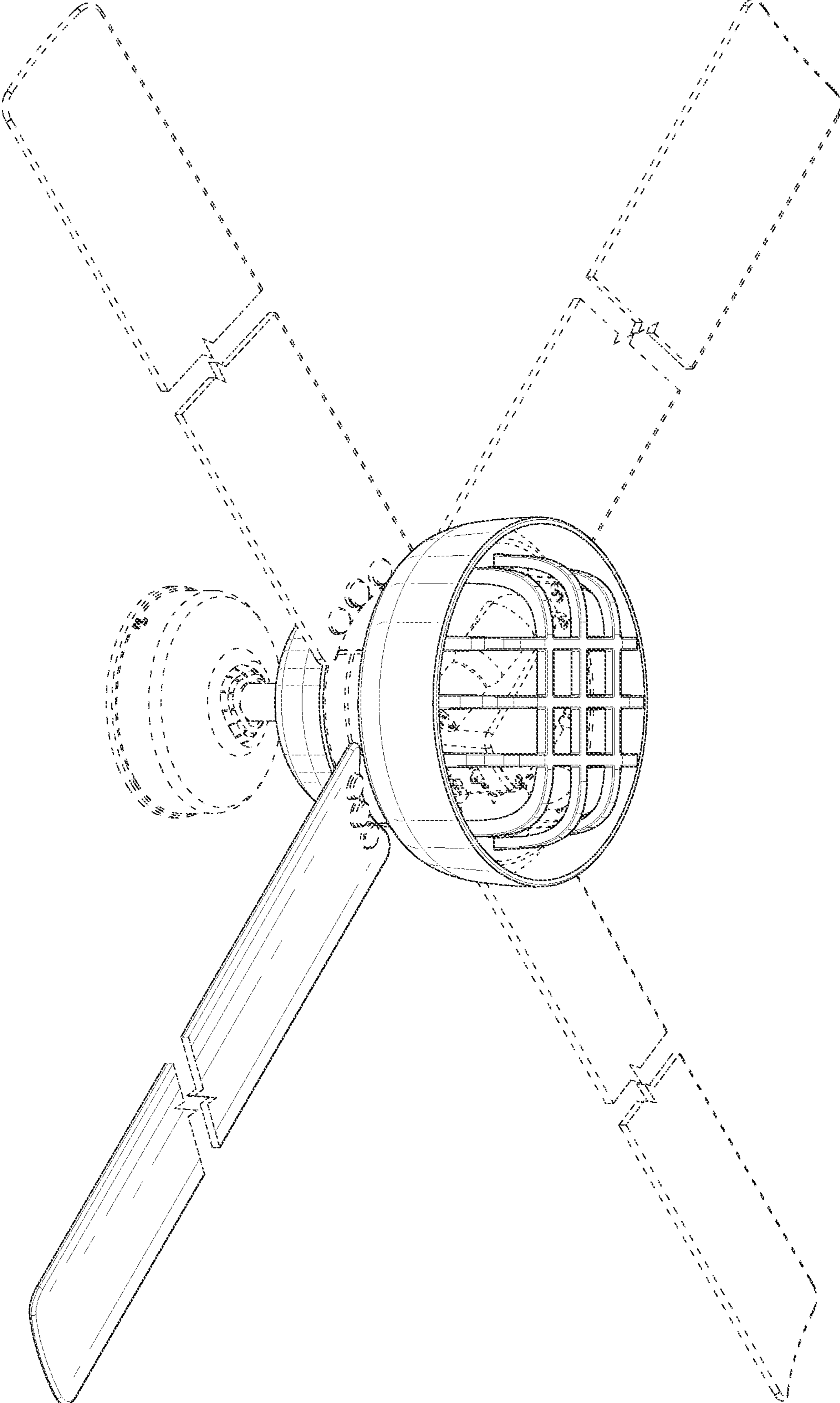


FIG. 2

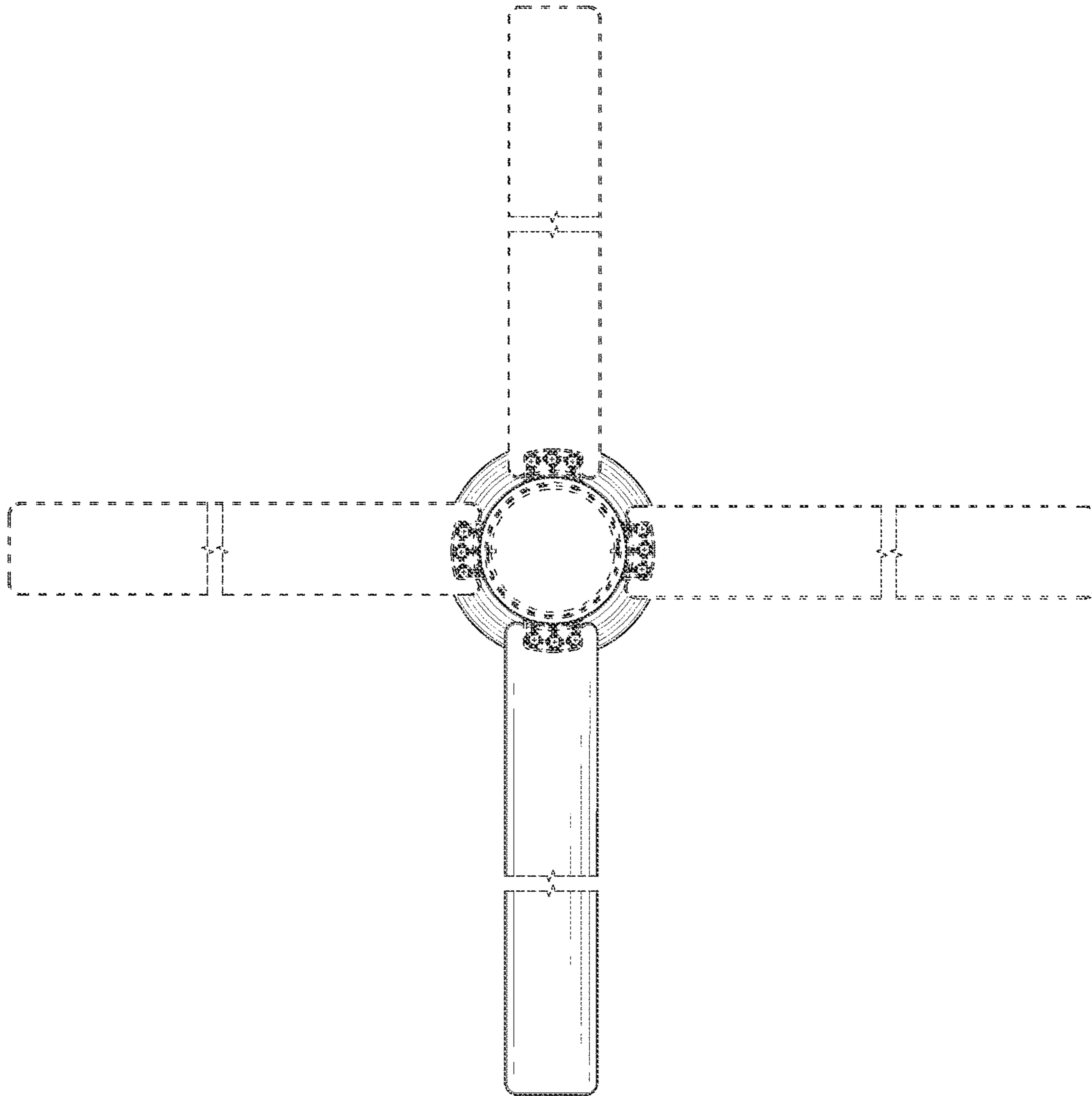


FIG. 3

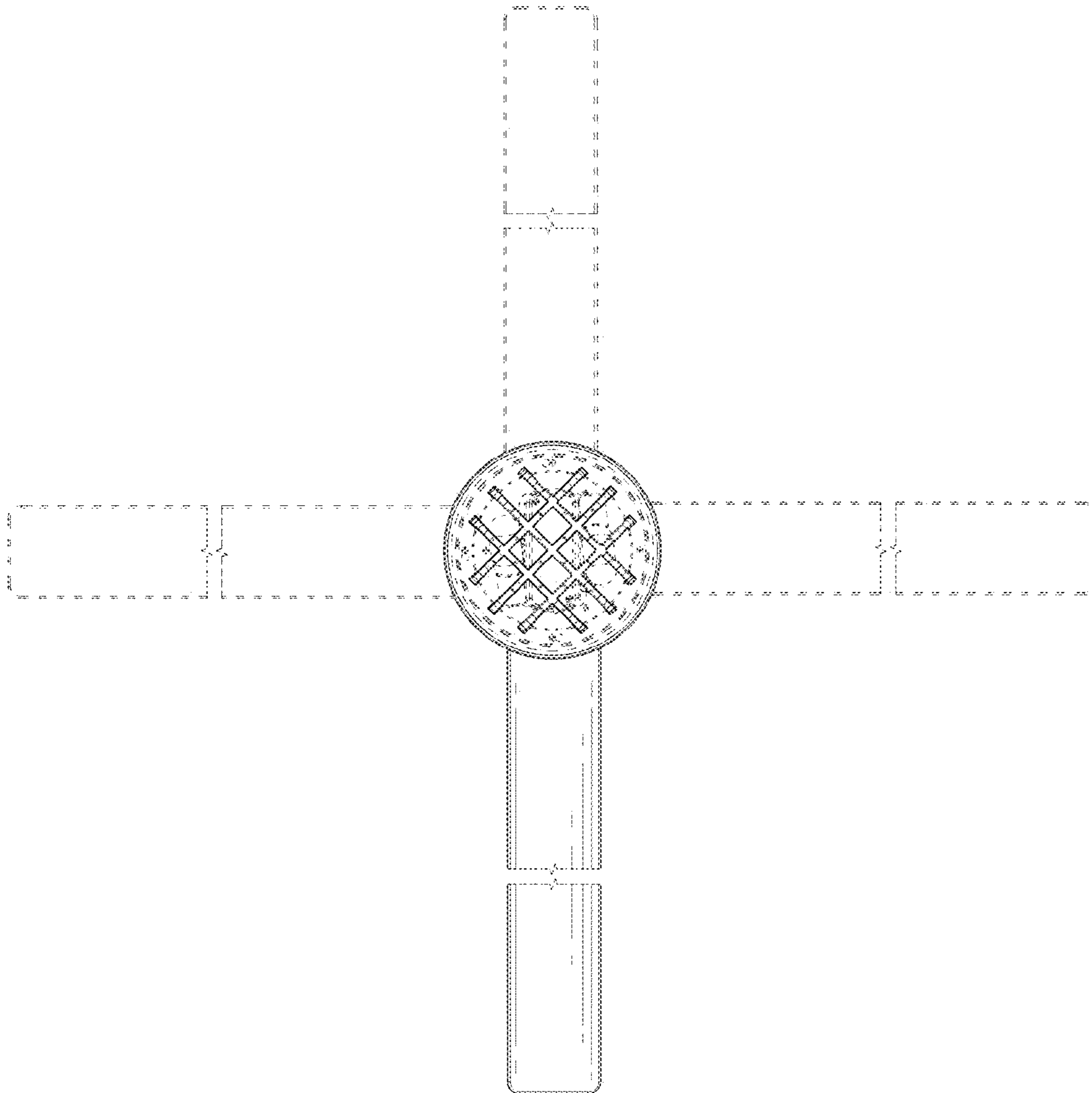


FIG. 4

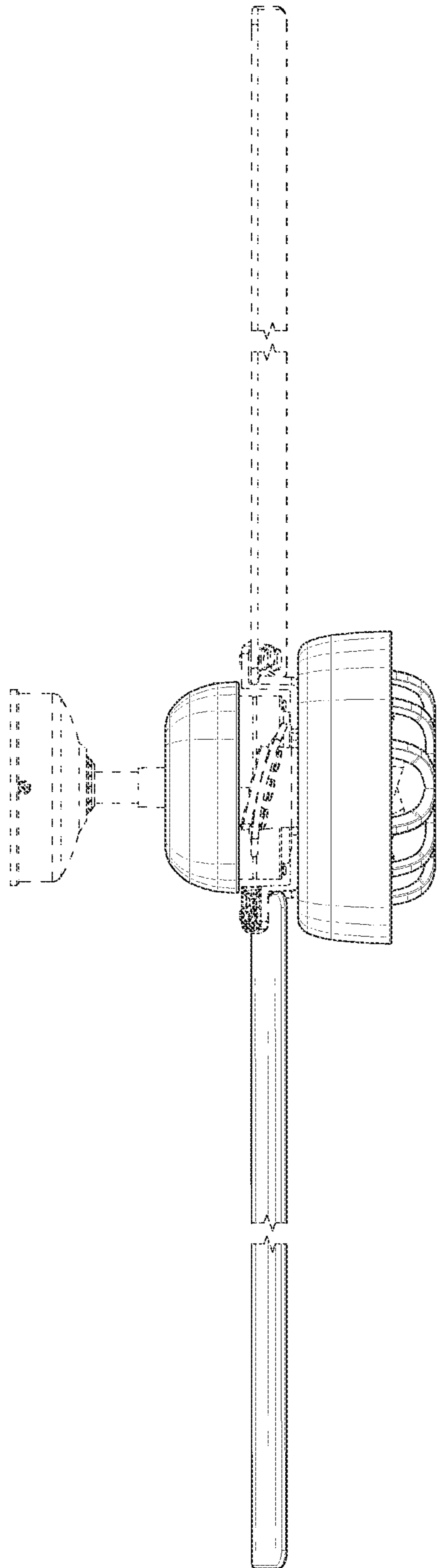


FIG. 5