



US00D950035S

(12) **United States Design Patent** (10) **Patent No.:** **US D950,035 S**
Liu (45) **Date of Patent:** **** Apr. 26, 2022**

(54) **SCENT DIFFUSER**
(71) Applicant: **Baohe Liu**, Shenzhen (CN)
(72) Inventor: **Baohe Liu**, Shenzhen (CN)

D824,010 S * 7/2018 Lu D23/366
D859,626 S * 9/2019 Hu D23/366
D886,271 S * 6/2020 Lu D23/359
D903,845 S * 12/2020 Zhang D23/356
2014/0321120 A1* 10/2014 Pas A61L 9/03
362/253

(73) Assignee: **Shenzhen Yohe Technology Co., Ltd.**,
Shenzhen (CN)

FOREIGN PATENT DOCUMENTS

(**) Term: **15 Years**

CN 306263898 * 1/2021
EM 008136758-0003 * 9/2020

(21) Appl. No.: **29/746,651**

* cited by examiner

(22) Filed: **Aug. 14, 2020**

Primary Examiner — Gino Colan
Assistant Examiner — David OBrien

(51) **LOC (13) Cl.** **23-04**

(52) **U.S. Cl.**

(57) **CLAIM**

USPC **D23/366**

The ornamental design for a scent diffuser, as shown and described.

(58) **Field of Classification Search**

DESCRIPTION

USPC D7/601, 604; D14/209, 215, 216;
D23/355-369; 99/323; 239/34-36, 44,
239/45, 53, 54, 56, 57, 60, 136, 152, 302,
239/326; 261/DIG. 17, DIG. 42, DIG. 65,
261/DIG. 88, DIG. 89; 392/386, 390,
392/392, 394, 395; 426/104; D28/5, 6;
D32/29.1
CPC A61L 9/03; A61L 9/12; A61L 9/15; A61L
9/037

FIG. 1 is a front, top perspective view of a scent diffuser showing my new design;
FIG. 2 is a rear, bottom perspective view thereof;
FIG. 3 is a front elevational view thereof;
FIG. 4 is a rear elevational view thereof;
FIG. 5 is a left side elevational view thereof;
FIG. 6 is a right side elevational view thereof;
FIG. 7 is a top plan view thereof; and,
FIG. 8 is a bottom plan view thereof.

See application file for complete search history.

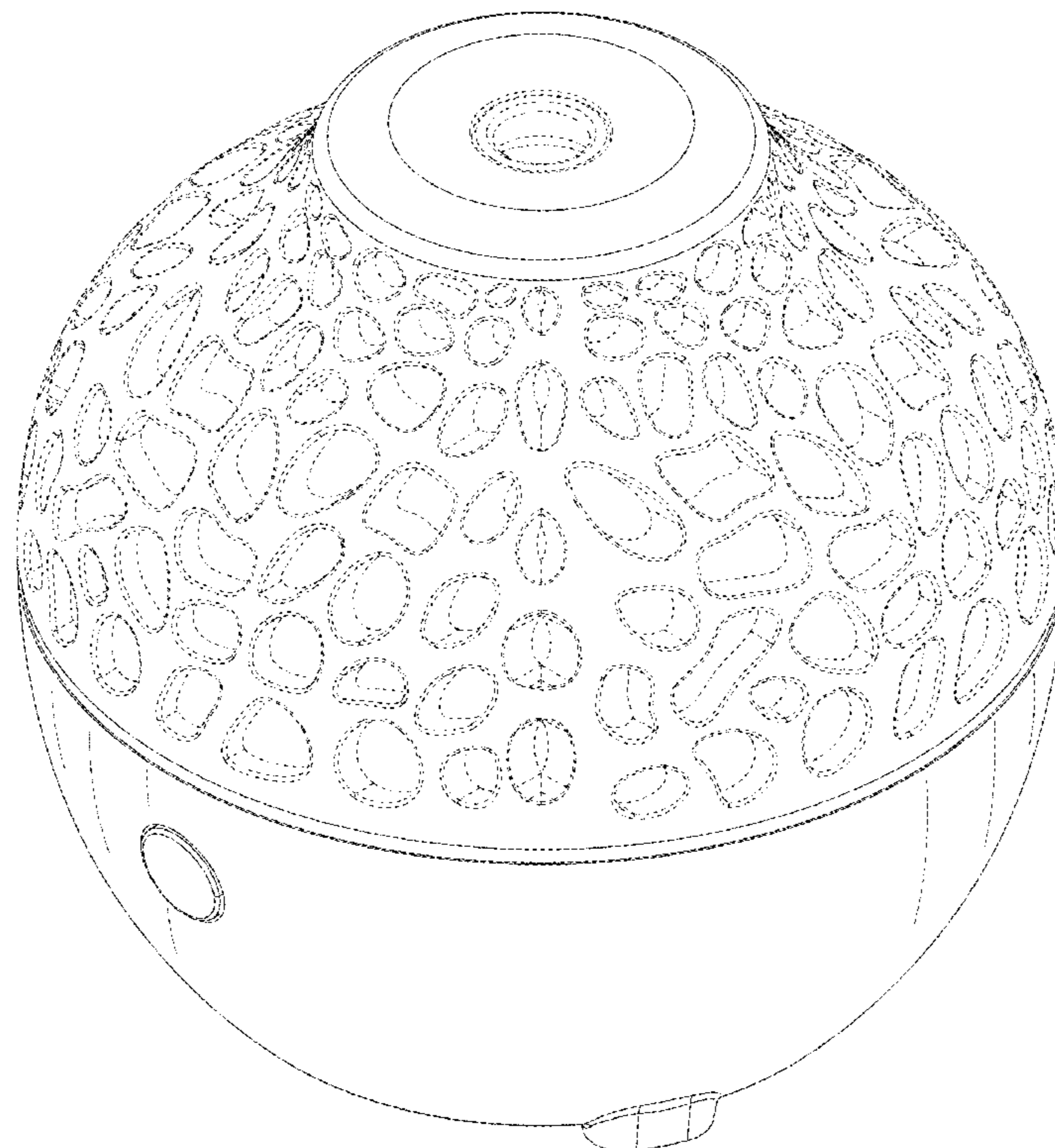
The broken lines shown in the figures are for the purpose of illustrating portions of the scent diffuser and form no part of the claimed design.

(56) **References Cited**

U.S. PATENT DOCUMENTS

D698,910 S * 2/2014 Lin D23/366
D813,367 S * 3/2018 Situ D23/366

1 Claim, 8 Drawing Sheets



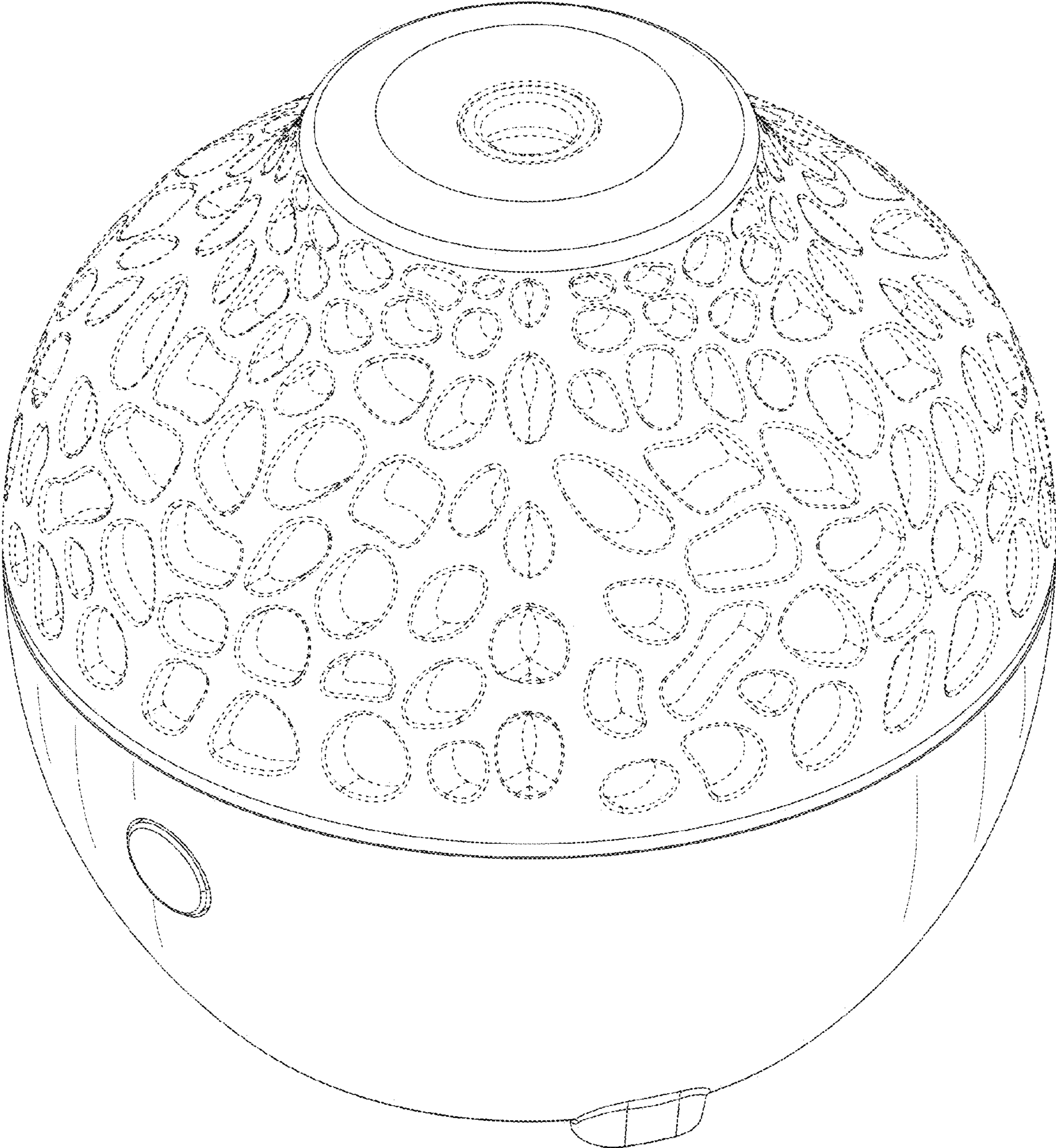


FIG. 1

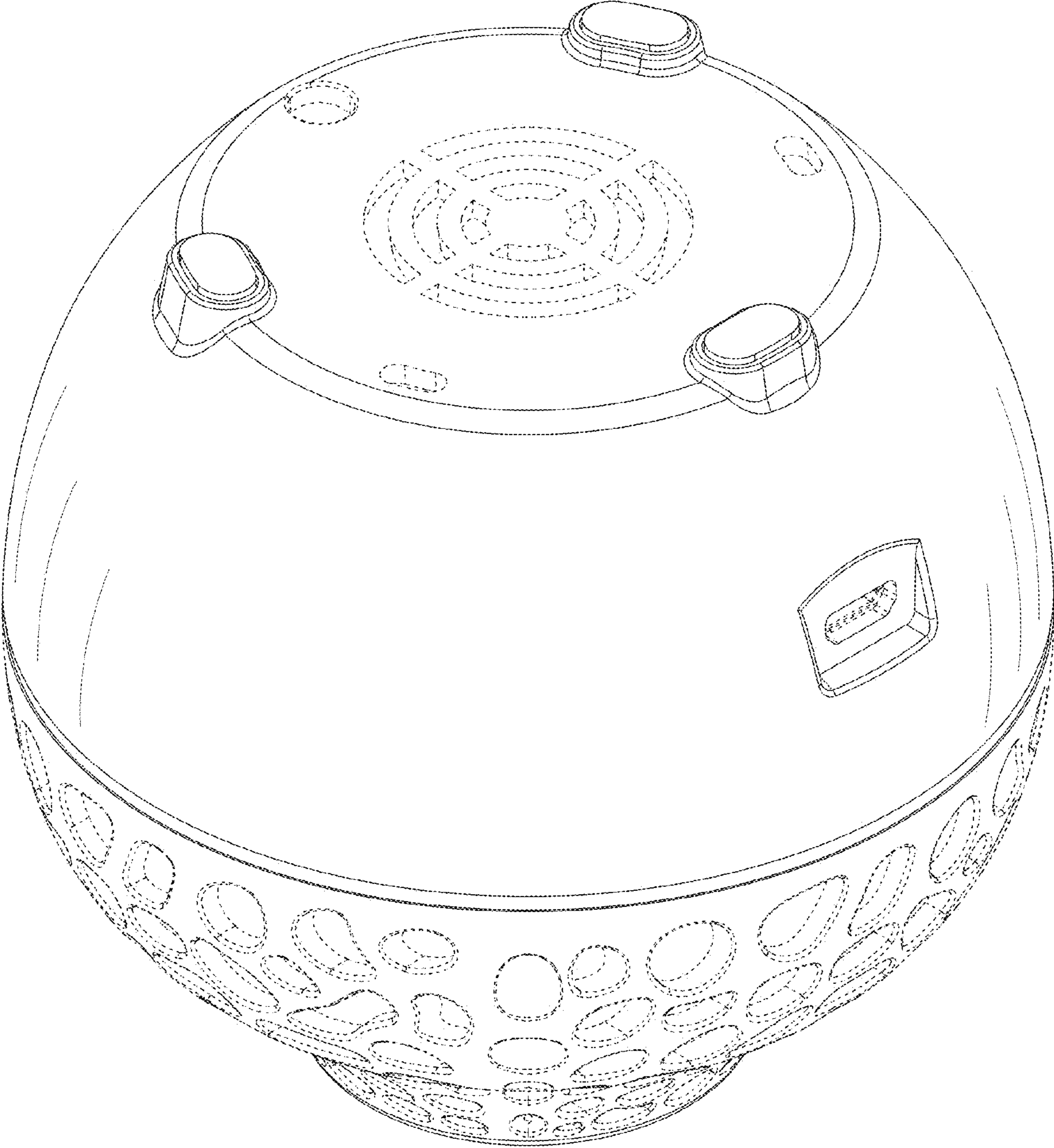


FIG. 2

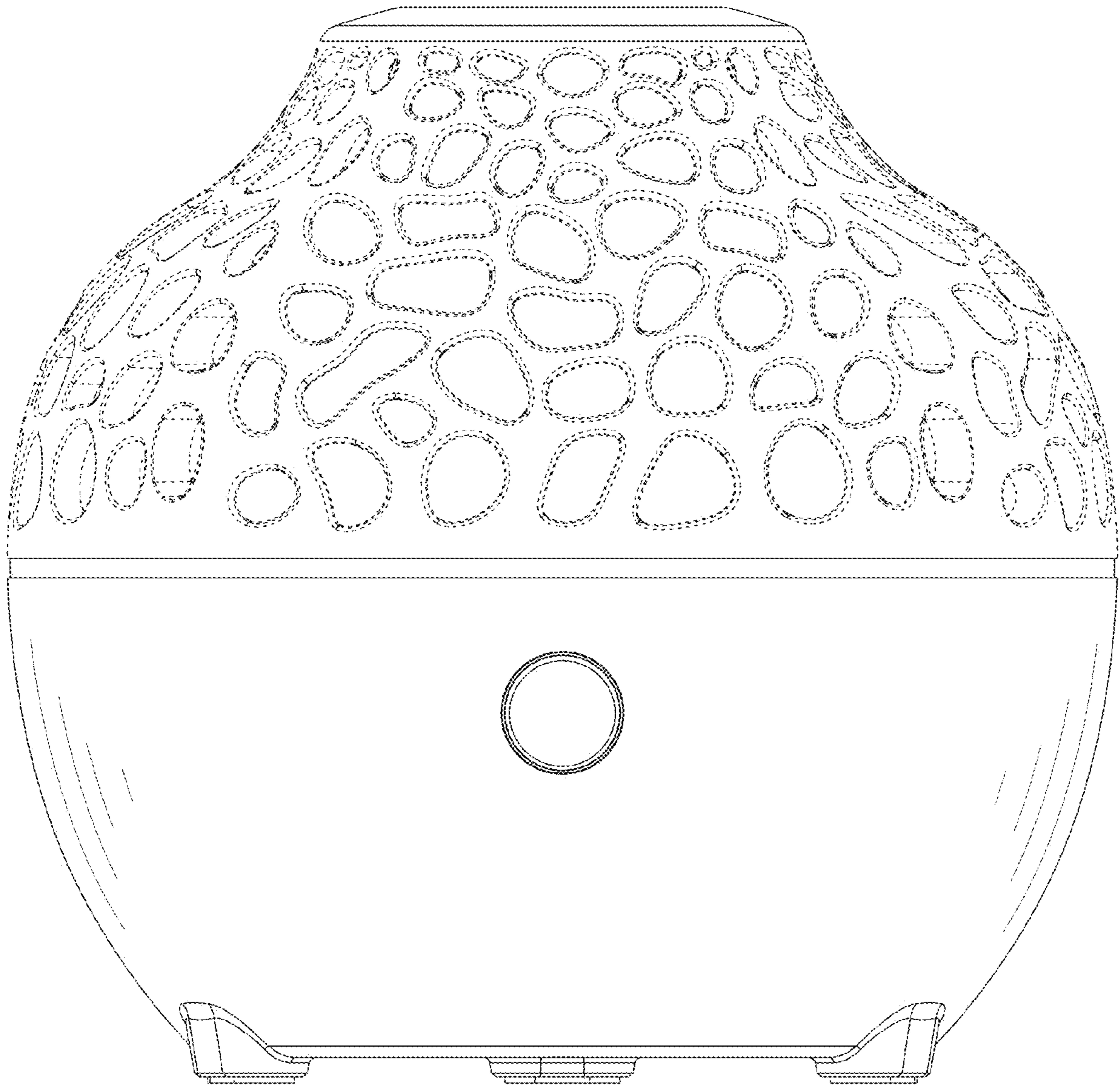


FIG. 3

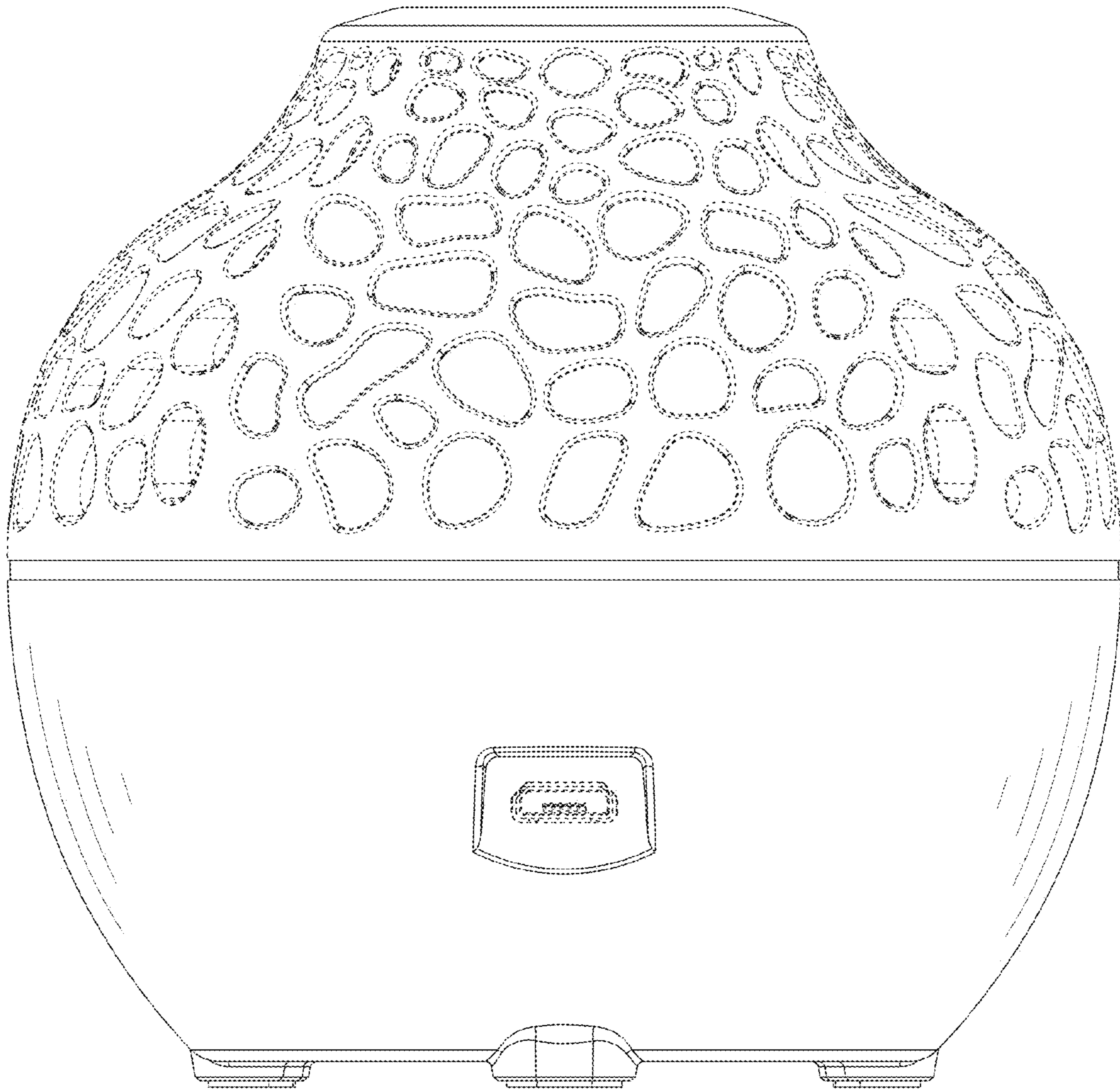


FIG. 4

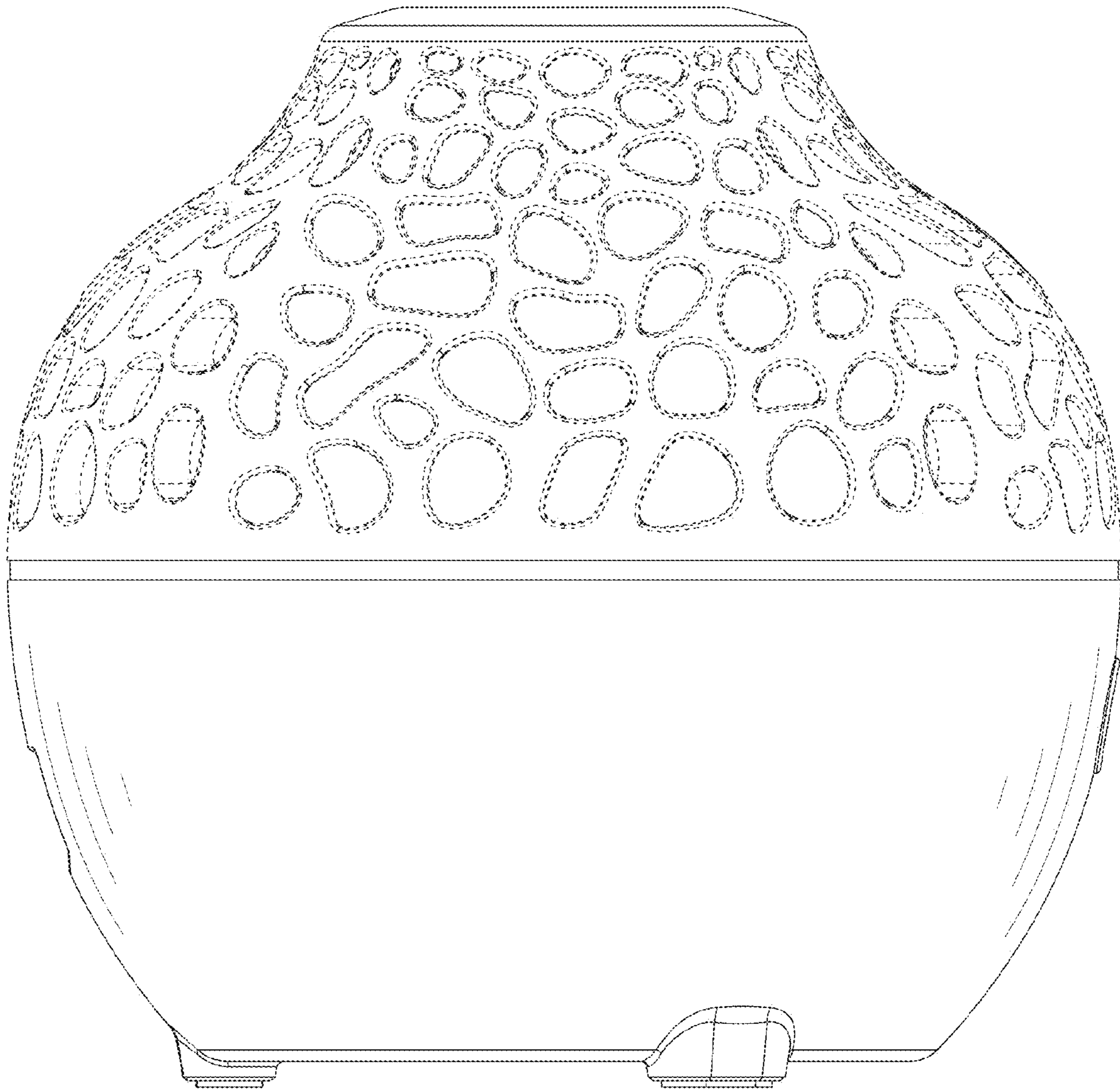


FIG. 5

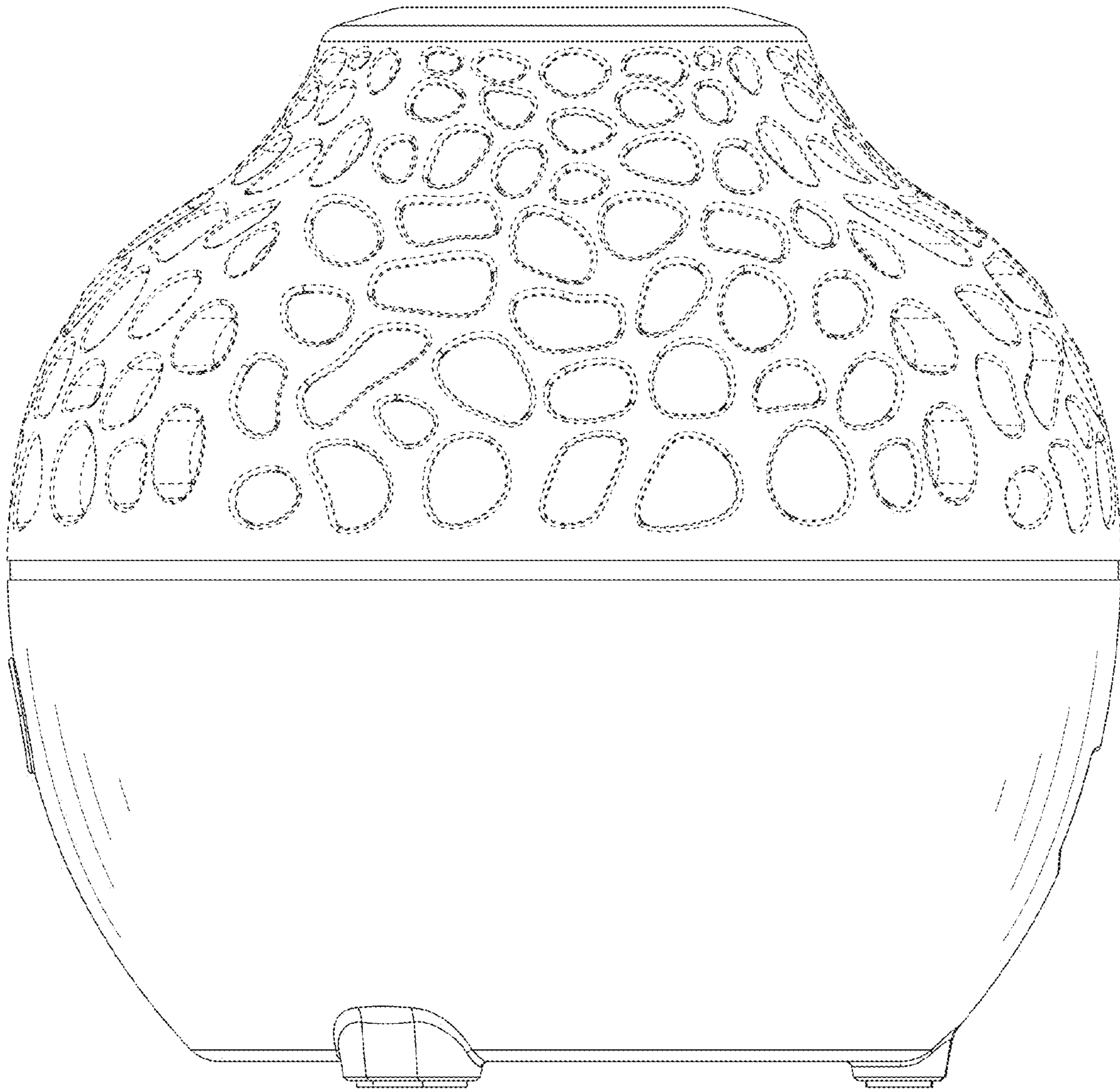


FIG. 6

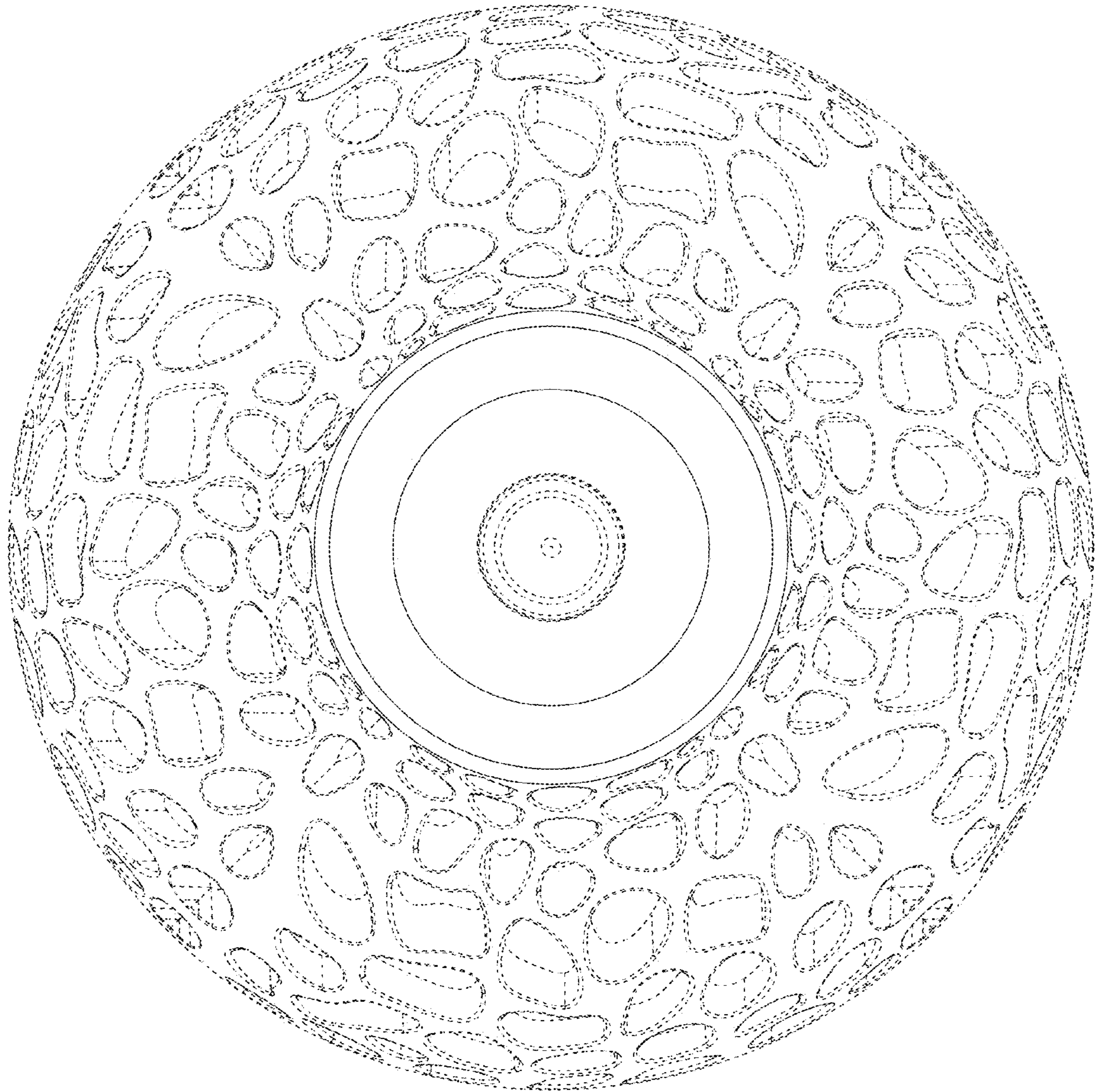


FIG. 7

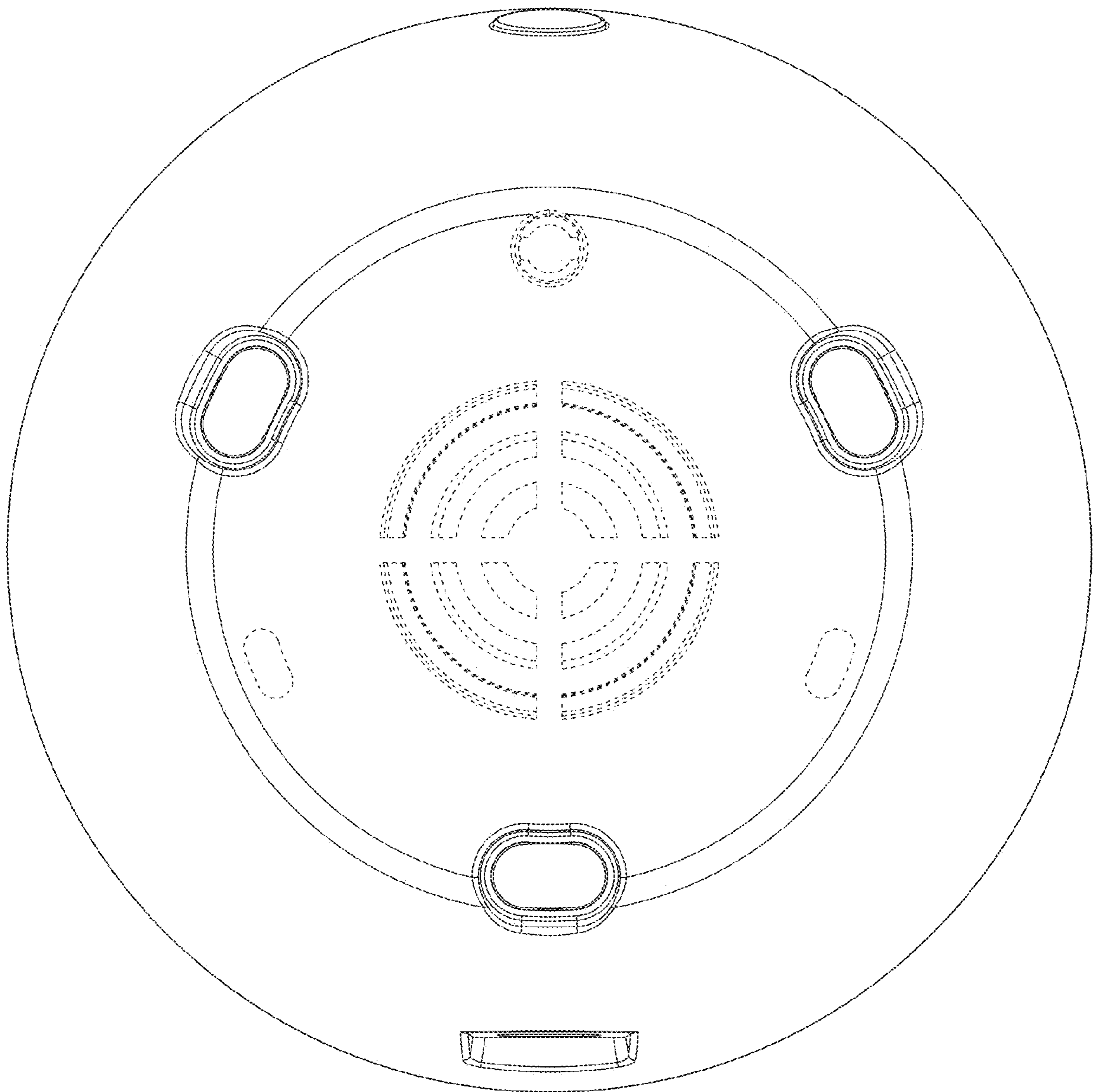


FIG. 8