



US00D950031S

(12) **United States Design Patent** (10) **Patent No.:** **US D950,031 S**  
**LaPorte et al.** (45) **Date of Patent:** **\*\* Apr. 26, 2022**

(54) **AIR SANITIZER**  
(71) Applicant: **PHONESOAP LLC**, Lindon, UT (US)  
(72) Inventors: **Wesley David LaPorte**, Provo, UT (US); **Hank Howell**, Provo, UT (US)

D898,889 S \* 10/2020 Yu ..... D23/364  
D905,840 S \* 12/2020 Cao ..... B01D 46/0004  
D23/364  
D921,869 S \* 6/2021 Han ..... D23/364  
2015/0231645 A1\* 8/2015 Engberg ..... F24F 8/192  
96/88  
2020/0061231 A1\* 2/2020 Jeong ..... B01D 46/0004

(73) Assignee: **Phonosoap LLC**, Lindon, UT (US)  
(\*\*) Term: **15 Years**

FOREIGN PATENT DOCUMENTS

CN 305204616 \* 6/2019  
KR 300977425 \* 10/2018

(21) Appl. No.: **29/719,627**

(22) Filed: **Jan. 6, 2020**

OTHER PUBLICATIONS

(51) **LOC (13) Cl.** ..... **23-04**  
(52) **U.S. Cl.**  
USPC ..... **D23/364**  
(58) **Field of Classification Search**  
USPC ..... D23/356-365, 332, 333, 335, 352, 355,  
D23/369  
CPC ..... A61L 9/01; A61L 9/06; A61L 9/22; B01D  
47/00; B01D 47/027; B01D 2221/02;  
F24F 3/16; F24F 13/28  
See application file for complete search history.

Medify Air Purifier 2019 found on Jun. 16, 2021 at <https://medifyair.com/products/ma-112> (Year: 2019).\*

\* cited by examiner

*Primary Examiner* — Karen S Acker  
*Assistant Examiner* — Jonathan E Fiencke  
(74) *Attorney, Agent, or Firm* — Stoel Rives LLP

(56) **References Cited**

(57) **CLAIM**

The ornamental design for an air sanitizer, as shown and described.

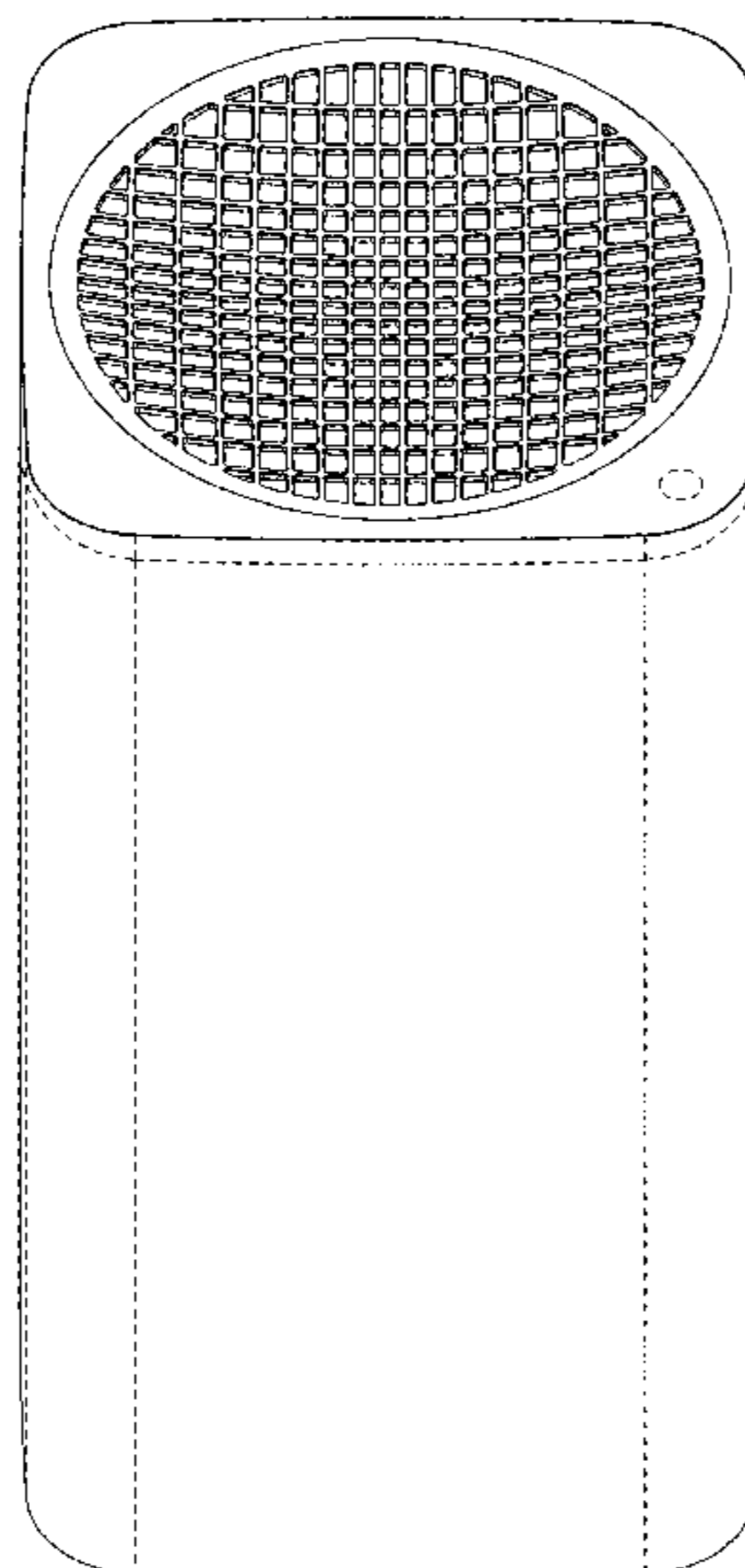
U.S. PATENT DOCUMENTS

**DESCRIPTION**

D565,161 S \* 3/2008 Harris, Jr. .... D23/364  
D638,923 S \* 5/2011 Choi ..... D23/364  
D639,413 S \* 6/2011 Wu ..... D23/364  
D705,410 S \* 5/2014 Terao ..... D23/364  
D728,089 S \* 4/2015 Crisa' ..... D23/366  
D749,202 S \* 2/2016 Satou ..... D23/364  
D750,209 S \* 2/2016 Satou ..... D23/364  
D755,942 S \* 5/2016 Kim ..... D23/364  
D782,019 S \* 3/2017 Kim ..... D23/364  
D791,297 S \* 7/2017 Ljungstrom ..... D23/364  
D798,430 S \* 9/2017 Nord ..... D23/364  
D799,016 S \* 10/2017 Su ..... D23/364  
D835,765 S \* 12/2018 Chen ..... D23/364  
D837,354 S \* 1/2019 Su ..... D23/364  
D852,344 S \* 6/2019 Hua ..... D23/364  
D862,673 S \* 10/2019 Tang ..... D23/364  
D865,148 S \* 10/2019 Yoon ..... D23/364

FIG. 1 is a top perspective view of an air sanitizer, showing our new design;  
FIG. 2 is a top rear perspective view thereof;  
FIG. 3 is a top left-side perspective view thereof;  
FIG. 4 is a top right-side perspective view thereof;  
FIG. 5 is a top plan view thereof;  
FIG. 6 is front elevation view thereof;  
FIG. 7 is a rear elevation view thereof;  
FIG. 8 is a left-side elevation view thereof; and,  
FIG. 9 is a right-side elevation view thereof.  
The broken lines depict portions of the air sanitizer that form no part of the claimed design.

**1 Claim, 7 Drawing Sheets**



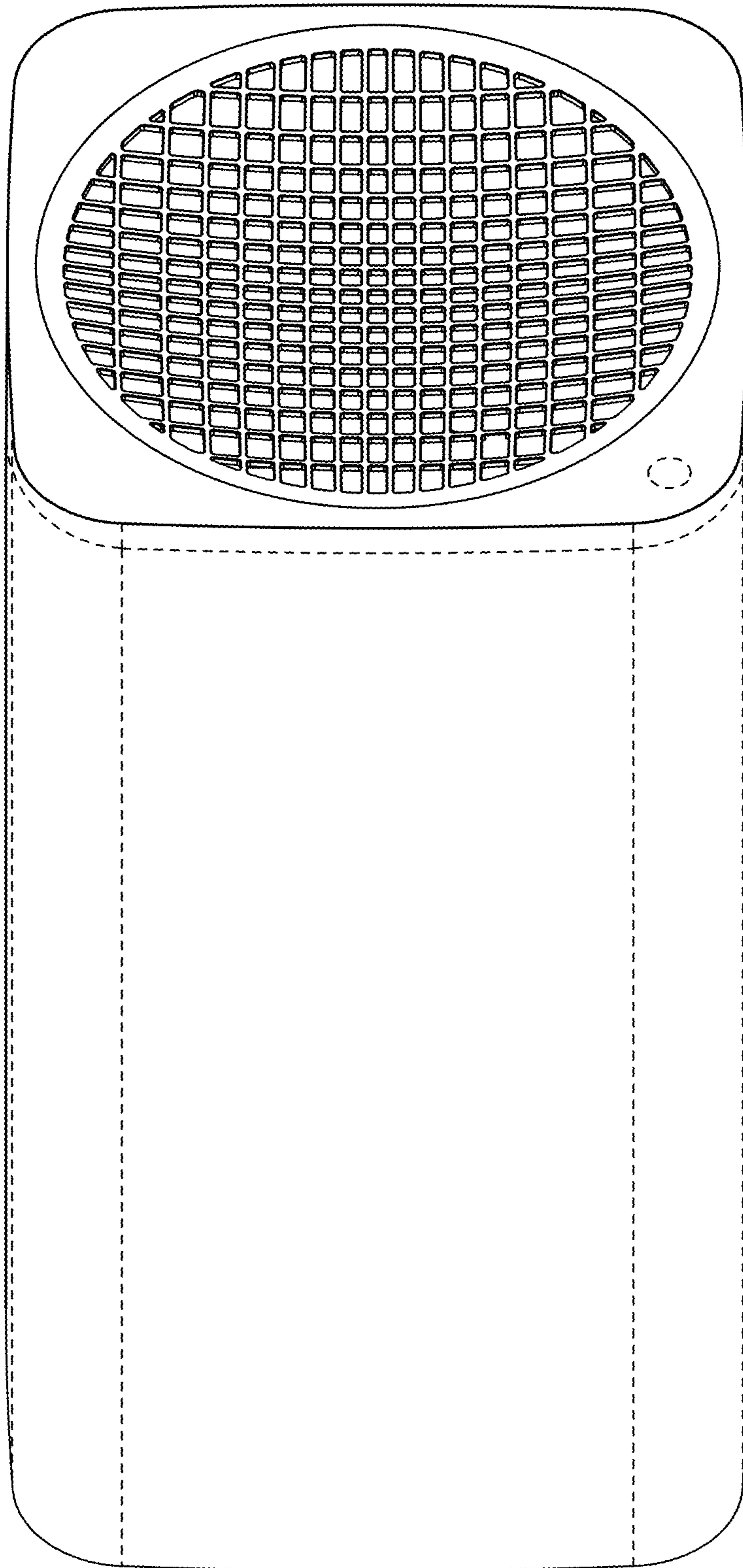


FIG. 1

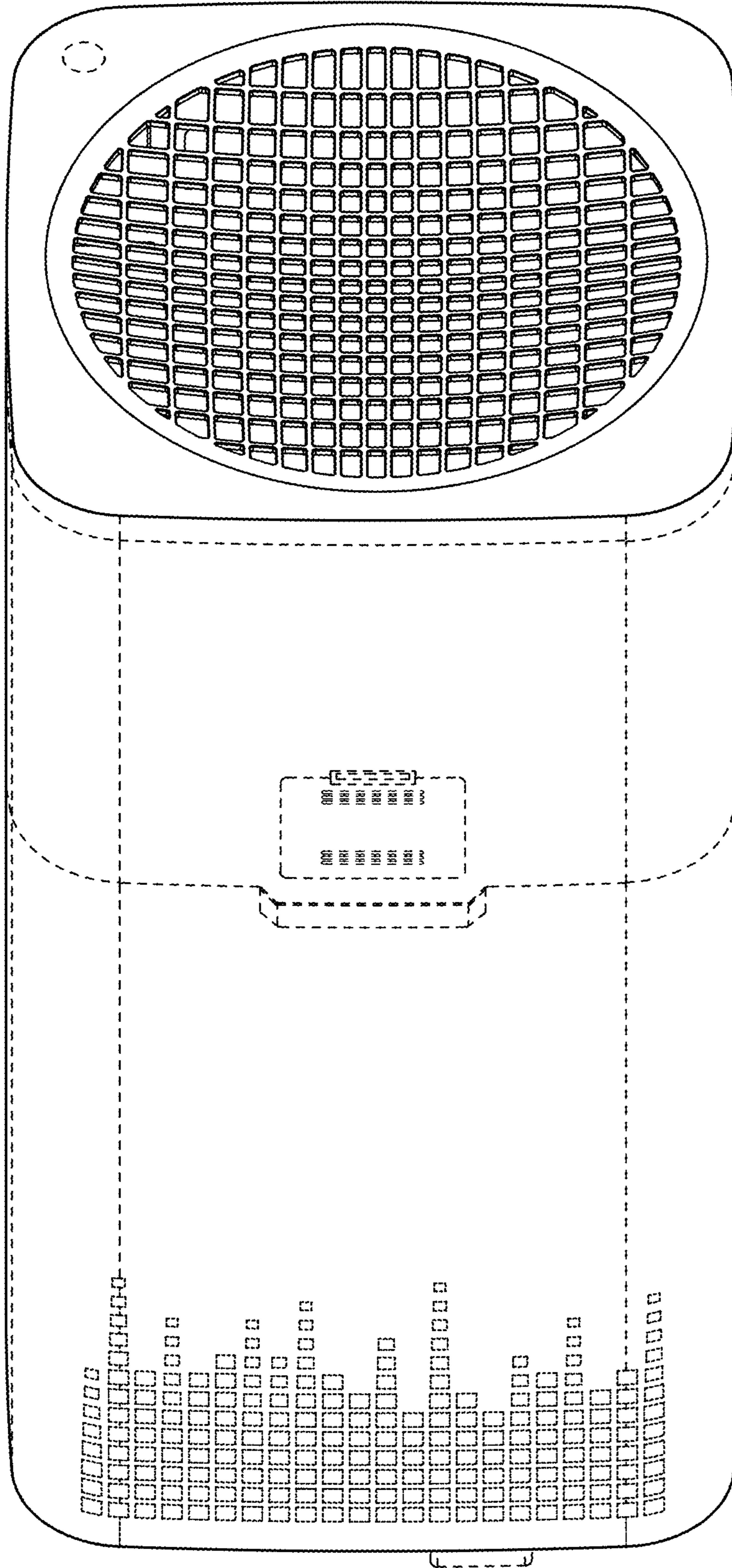


FIG. 2



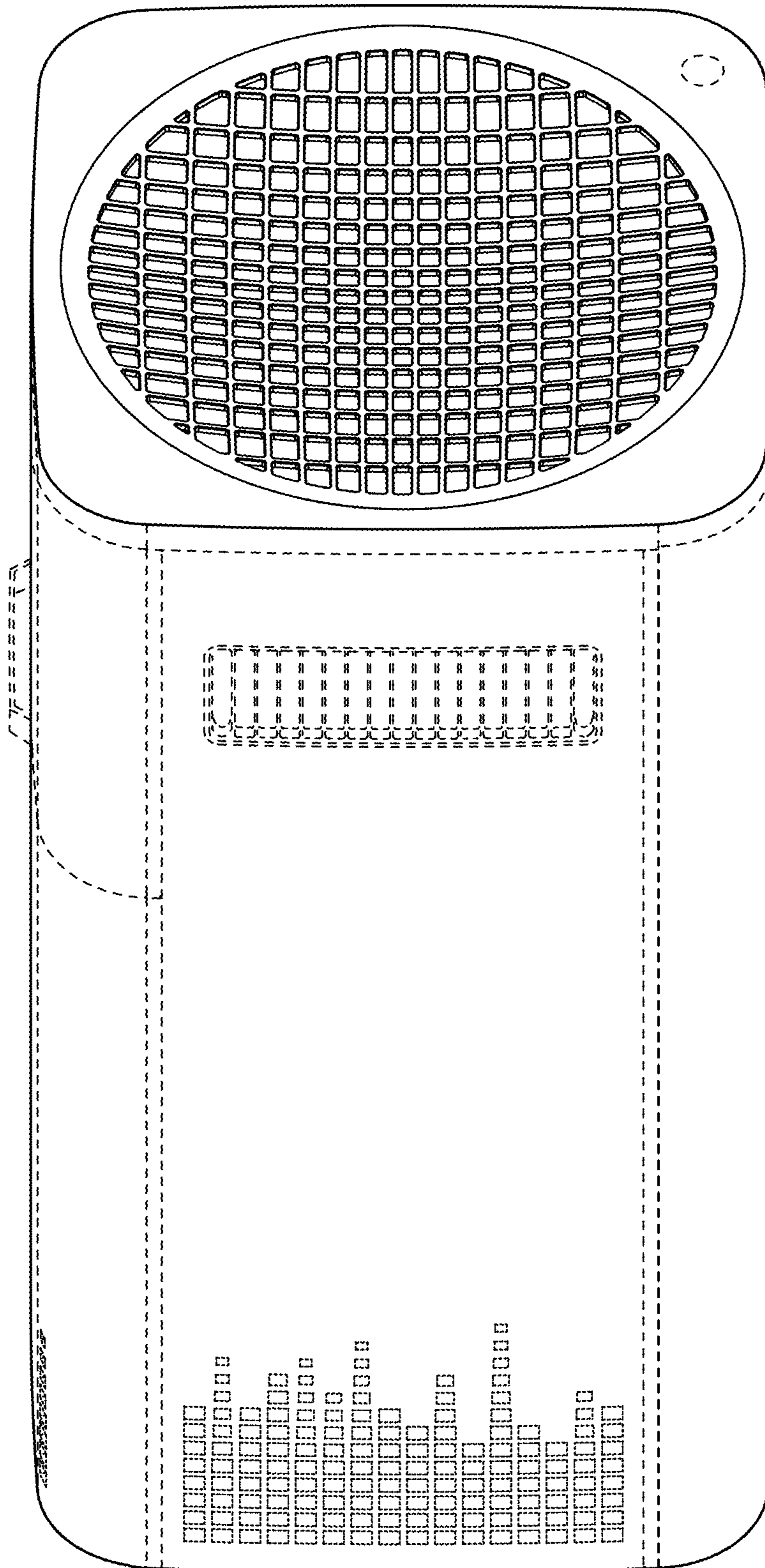


FIG. 3

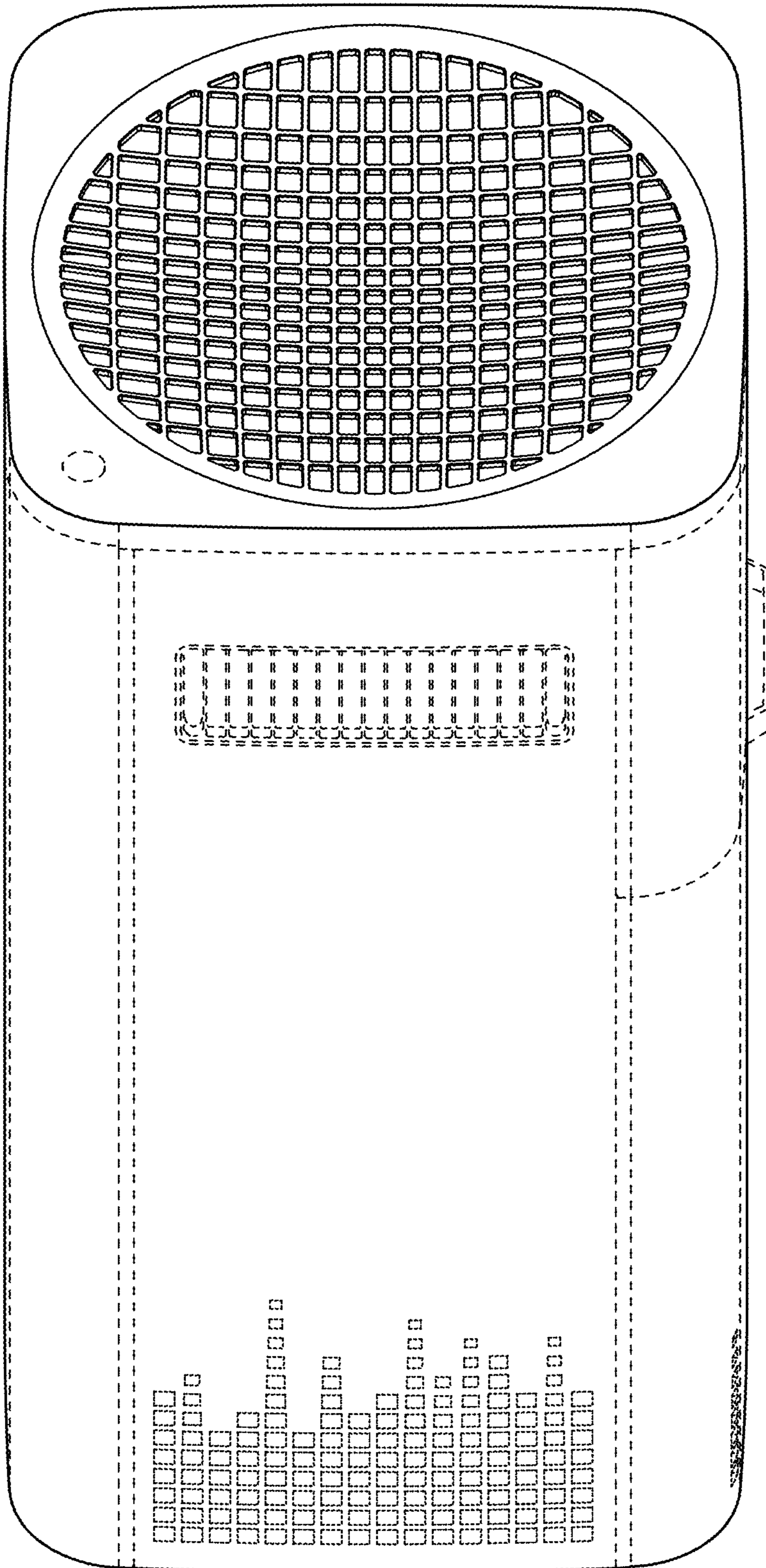
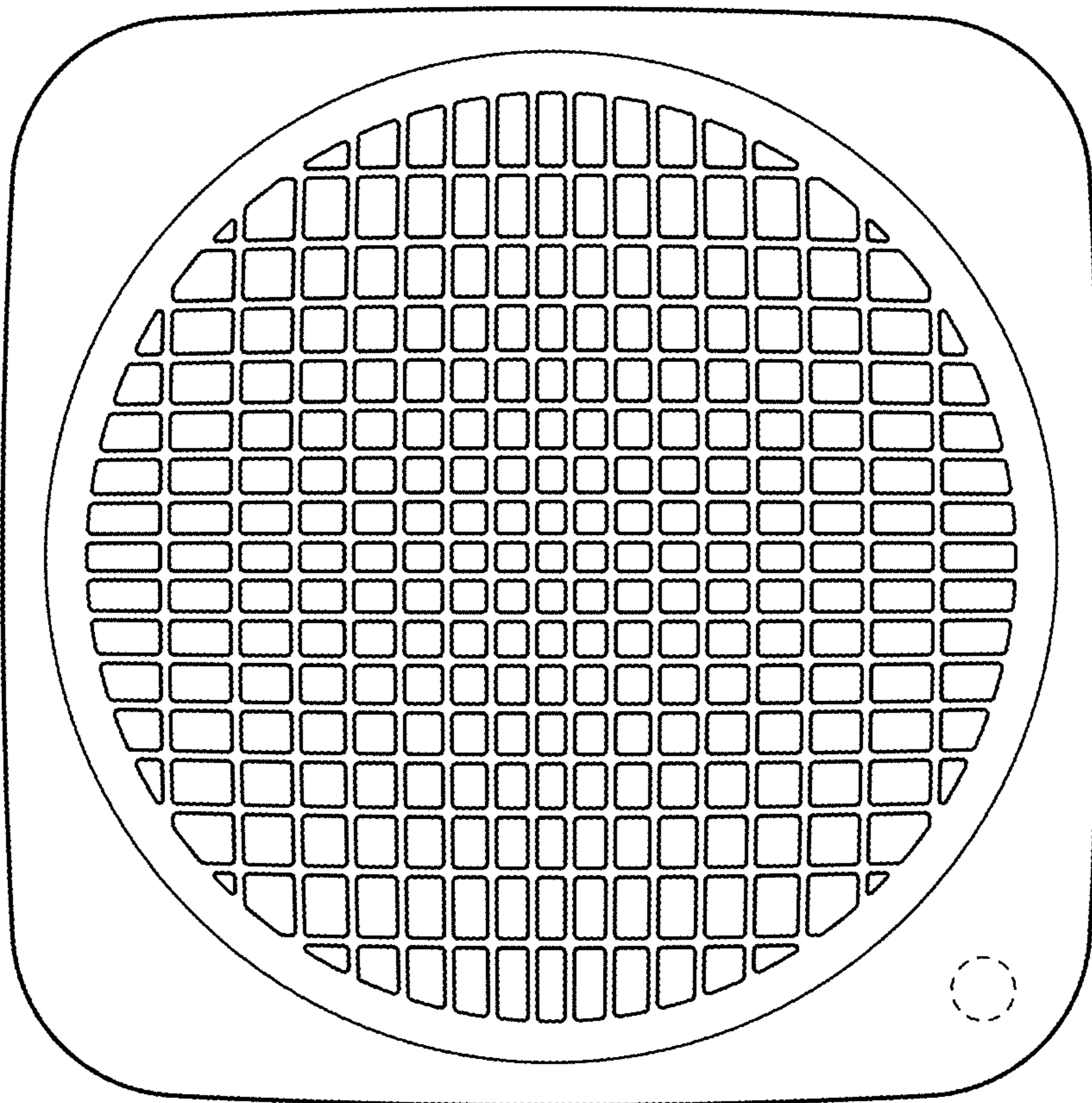


FIG. 4



*FIG. 5*



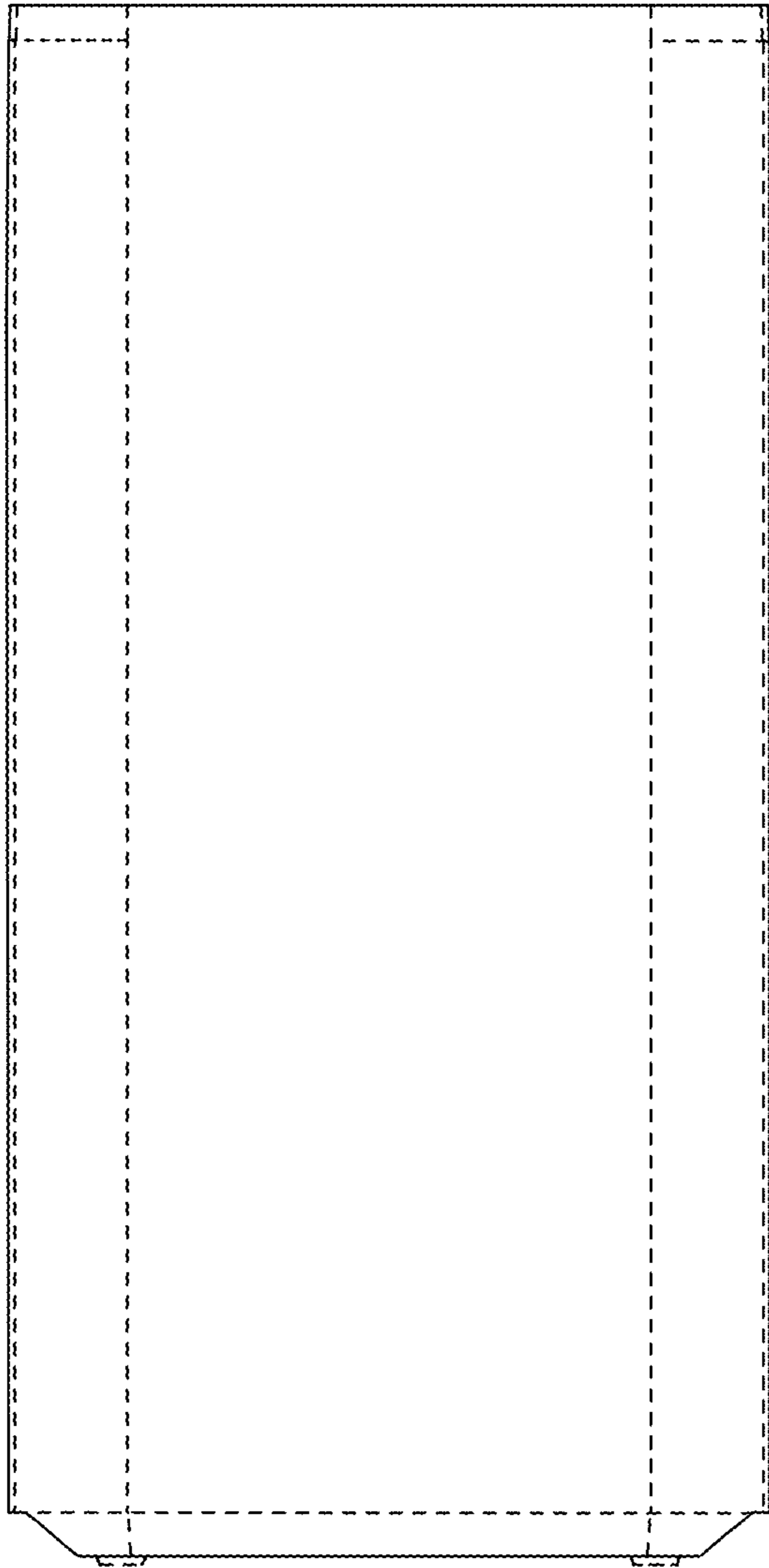


FIG. 6

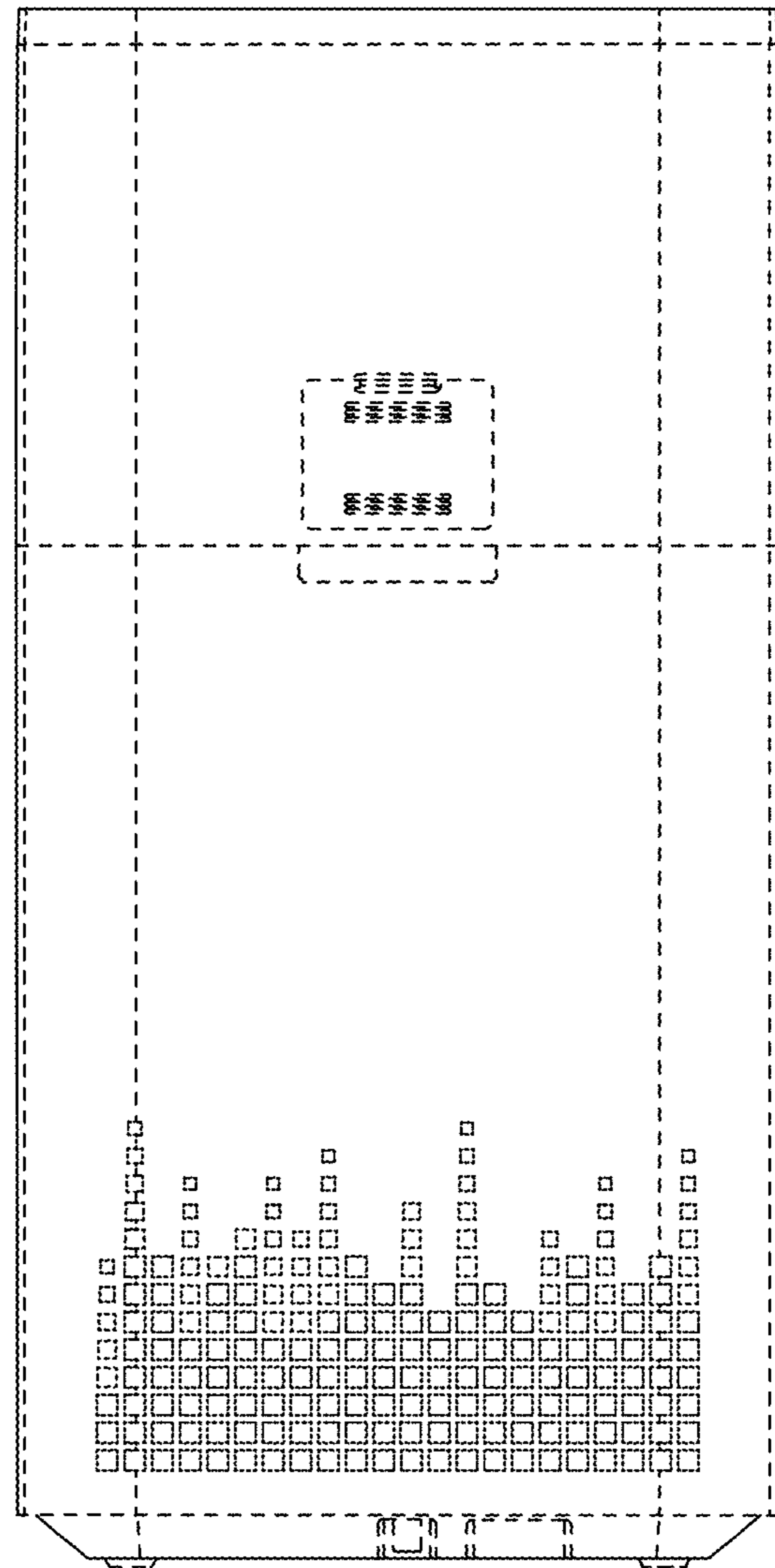


FIG. 7

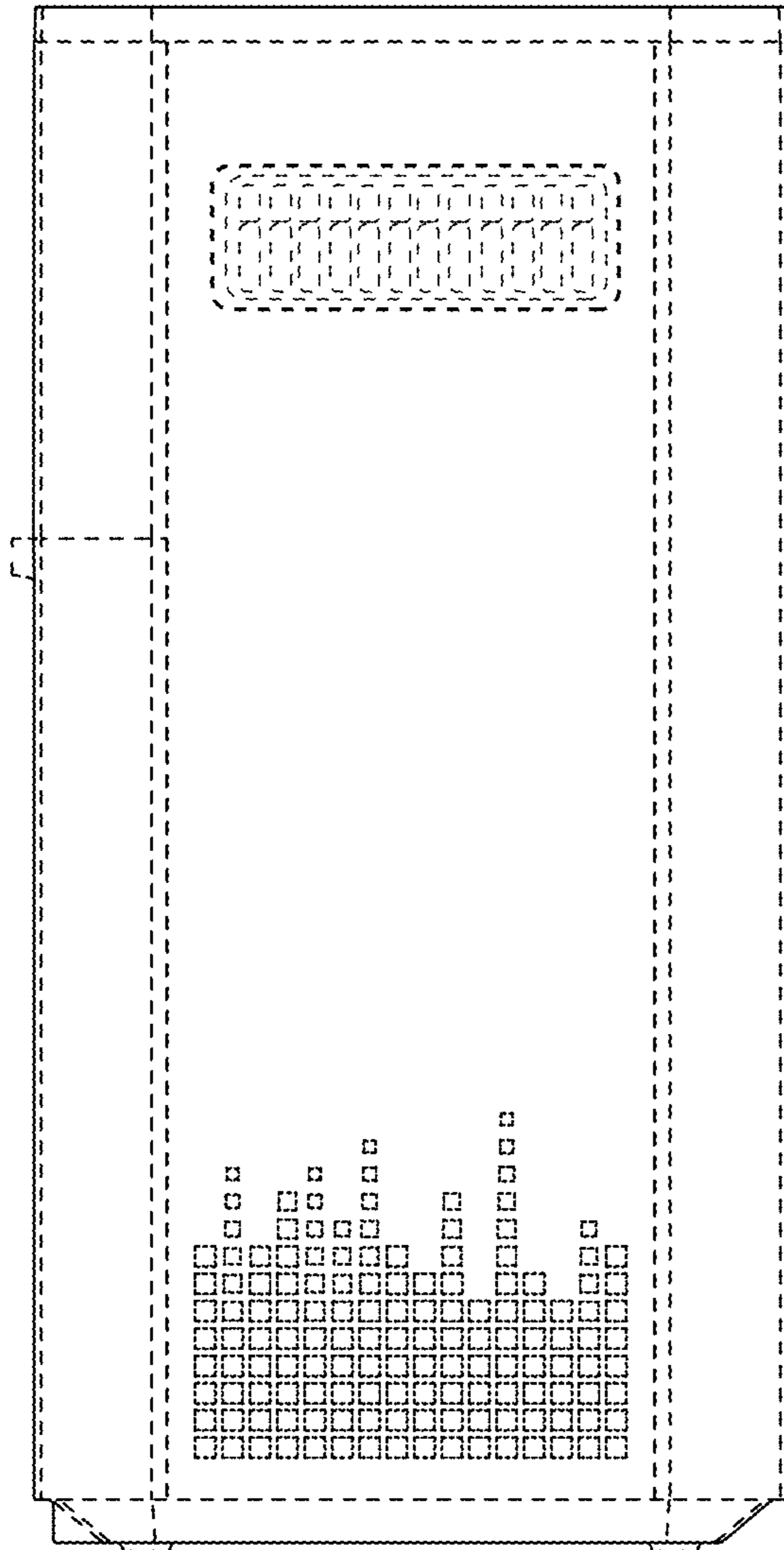


FIG. 8

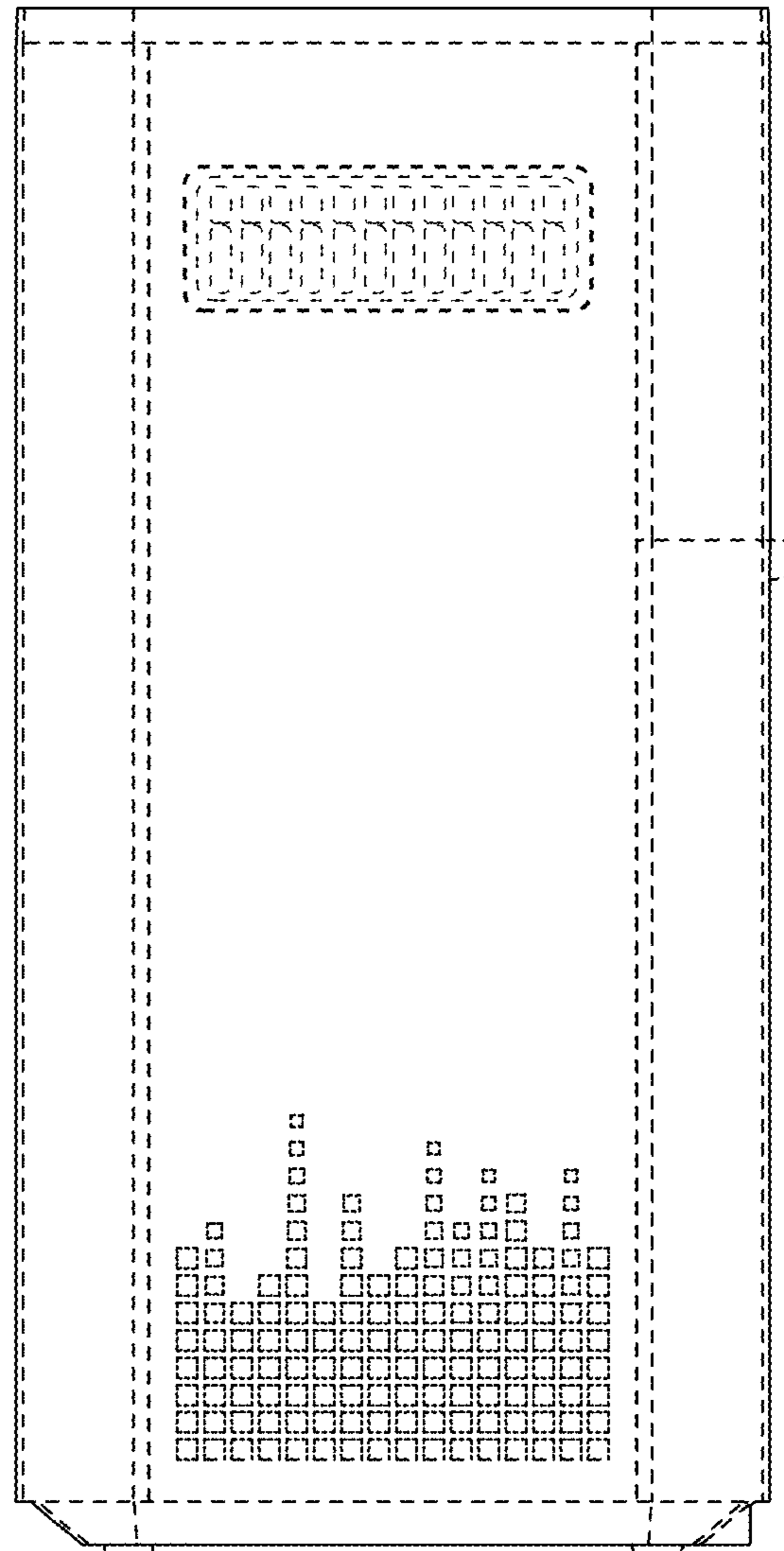


FIG. 9