



US00D950030S

(12) **United States Design Patent** (10) **Patent No.:** **US D950,030 S**
Flower et al. (45) **Date of Patent:** **** Apr. 26, 2022**

(54) **CAPSULE FOR USE IN A PERSONAL VAPORIZER**

Primary Examiner — David G Muller
(74) *Attorney, Agent, or Firm* — SGPatents PLLC

(71) Applicant: **Valley Product Concepts, LLC**, Hunt Valley, MD (US)

(57) **CLAIM**

The ornamental design for a capsule for use in a personal vaporizer, as shown and described.

(72) Inventors: **Nicholas Flower**, Minneapolis, MN (US); **Jacob Leavy**, Pikesville, MD (US)

DESCRIPTION

(73) Assignee: **VALLEY PRODUCT CONCEPTS, LLC**, Hunt Valley, MD (US)

FIG. 1 is an upper perspective view of a first embodiment of a capsule for use in a personal vaporizer, showing our new design;

(**) Term: **15 Years**

FIG. 2 is an exploded upper perspective view of the capsule of FIG. 1, showing the body of the capsule and the cap thereof disassembled;

(21) Appl. No.: **29/750,504**

FIG. 3 is a cross-sectional view of the capsule of FIG. 1 taken at line 3-3 in FIG. 5;

(22) Filed: **Sep. 14, 2020**

FIG. 4 is an end view of the capsule of FIG. 1, the opposite end having the same appearance;

(51) **LOC (13) Cl.** **23-04**

FIG. 5 is a side view of the capsule of FIG. 1, the opposite side having the same appearance;

(52) **U.S. Cl.**
USPC **D23/360**

FIG. 6 is a top view of the capsule of FIG. 1;

(58) **Field of Classification Search**
USPC D23/355-366, 352, 369, 332, 333, 335, D23/336, 342, 351; D27/162, 163, 167;
(Continued)

FIG. 7 is a bottom view of the capsule of FIG. 1; and

(56) **References Cited**

U.S. PATENT DOCUMENTS

FIG. 8 is a lower perspective view of the capsule of FIG. 1. FIG. 9 is an upper perspective view of a second embodiment of a capsule for use in a personal vaporizer, showing our new design, in which the material wall thicknesses of the cap and body of the capsule are increased relative to the first embodiment with the external dimensions of the cap being maintained;

D150,175 S 7/1948 Thomas
D293,943 S 1/1988 Wadsworth
(Continued)

FIG. 10 is an exploded upper perspective view of the capsule of FIG. 9, showing the body of the capsule and the cap thereof disassembled;

FOREIGN PATENT DOCUMENTS

WO WO 2015/116934 A1 8/2015
WO WO 2016/172802 A1 11/2016

FIG. 11 is a cross-sectional view of the capsule of FIG. 9 taken at line 11-11 in FIG. 13;

OTHER PUBLICATIONS

BudKup Gen. 1.0, available online via e-commerce website (<https://www.budkups.com>), Mar. 2, 2017.

FIG. 12 is an end view of the capsule of FIG. 9, the opposite end having the same appearance;

FIG. 13 is a side view of the capsule of FIG. 9, the opposite side having the same appearance;

FIG. 14 is a top view of the capsule of FIG. 9;

FIG. 15 is a bottom view of the capsule of FIG. 9; and,

(Continued)

(Continued)

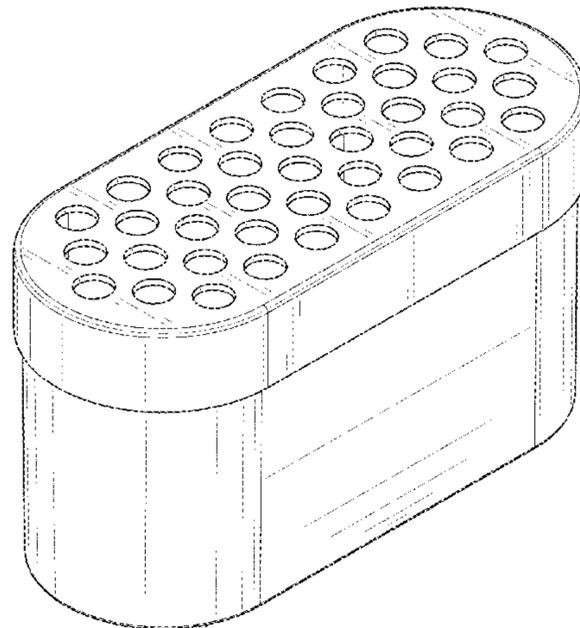


FIG. 16 is a lower perspective view of the capsule of FIG. 9.

1 Claim, 16 Drawing Sheets

(58) **Field of Classification Search**

USPC 422/120, 122; 55/356, 473, 504; 96/97;
261/DIG. 17, DIG. 65, DIG. 88, DIG. 31
CPC .. A61L 9/16; A61L 9/22; B01D 47/00; B01D
47/027; B01D 2221/02; B01D 2259/4508;
B03C 3/155; B03C 3/368; F24F 3/16;
F24F 13/20; F24F 13/28

See application file for complete search history.

(56) **References Cited**

U.S. PATENT DOCUMENTS

D373,846	S	9/1996	Rothman	
5,993,520	A *	11/1999	Yu	A47L 9/122 96/66
6,065,592	A	5/2000	Wik	
D449,404	S	10/2001	Emery	
6,746,521	B2 *	6/2004	Canfield	A61L 9/12 239/56
D568,533	S	5/2008	Bagaric et al.	
D592,401	S	5/2009	Beavers et al.	
D669,962	S	10/2012	Schoenherr et al.	
D684,240	S	6/2013	Stein	
8,709,337	B2 *	4/2014	Gruenbacher	A61L 9/04 422/5
D710,543	S	8/2014	Dittmer et al.	
D712,091	S	8/2014	Liu	
8,807,538	B2 *	8/2014	Sharma	A01M 1/2033 261/30
D714,958	S	10/2014	Smeja	

8,869,792	B1	10/2014	Lee	
D734,867	S	7/2015	Smeja	
9,272,103	B2	3/2016	Storz	
9,408,416	B2	8/2016	Monsees et al.	
D779,045	S	2/2017	Johansen	
D794,082	S *	8/2017	Krull	D15/5
D800,286	S *	10/2017	McKay	D23/366
D806,850	S *	1/2018	D'Amico	D23/366
D816,434	S	5/2018	Burns	
D831,172	S	10/2018	Schluter	
D835,841	S	12/2018	Xu	
D868,367	S *	11/2019	Franzone	D27/167
D868,368	S *	11/2019	Franzone	D27/167
D869,087	S *	12/2019	Franzone	D27/167
D870,371	S *	12/2019	Storz	D27/167
D880,675	S *	4/2020	Gobber	D23/366
D903,192	S *	11/2020	Chang	D27/162
2007/0283972	A1	12/2007	Monsees et al.	

OTHER PUBLICATIONS

BudKup Gen. 1.5, available online via e-commerce website (<https://www.budkups.com>), May 2, 2018.

BudKup Gen. 2.0, available online via e-commerce website (<https://www.budkups.com>), Feb. 14, 2018.

European Union Intellectual Property Office, Industrial Design 003387299-0001, "Container for Medical Purposes," published Sep. 2016.

FlowerMate Accessories [online], Jun. 7, 2018 [retrieved May 3, 2019], Retrieved from the Internet: <<https://flowermate.com/product-category/accessories/>>.

Ghost Vapes Accessories [online], Oct. 2017 [retrieved on May 30, 2019], Retrieved from the Internet: <<https://web.archive.org/web/20171016181457/https://www.ghostvapes.com/accessories/>>.

Storz & Bickel Dosing Capsule Set [online], Jun. 7, 2018 [retrieved May 3, 2019], Retrieved from the Internet: <<https://www.storz-bickel.com/US/en/dosing-capsule-set-40.html>>.

* cited by examiner

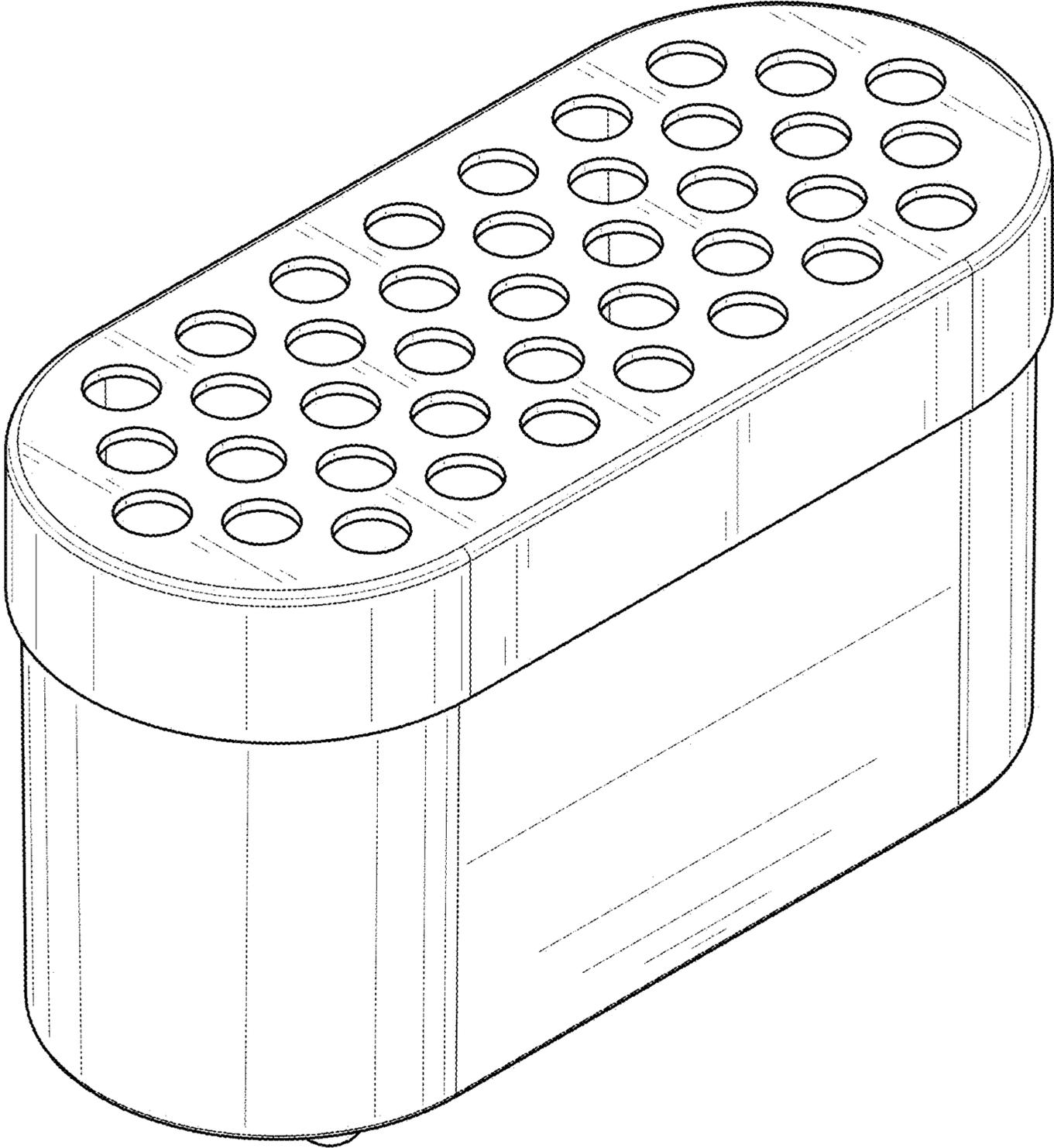


Fig. 1

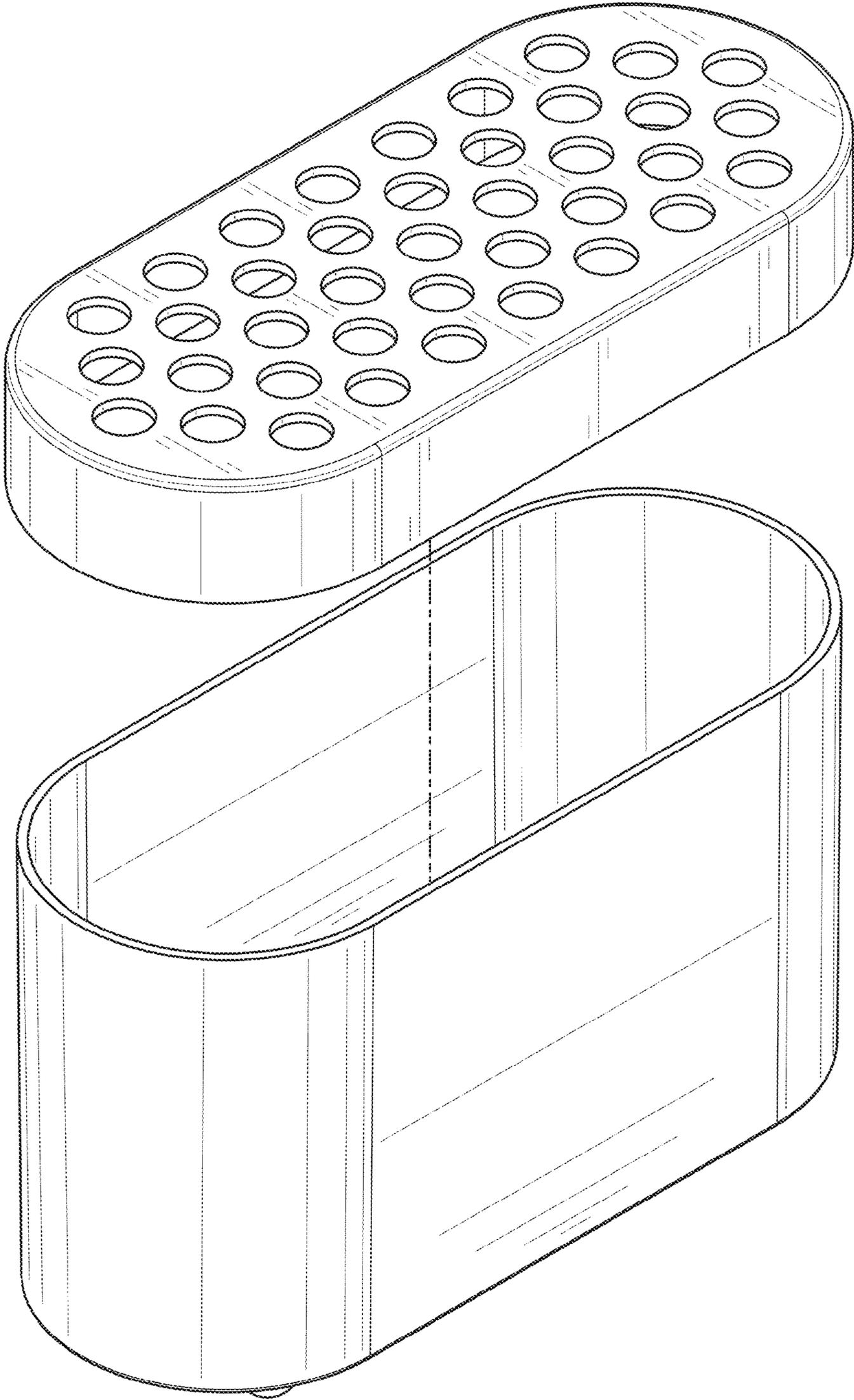


Fig. 2

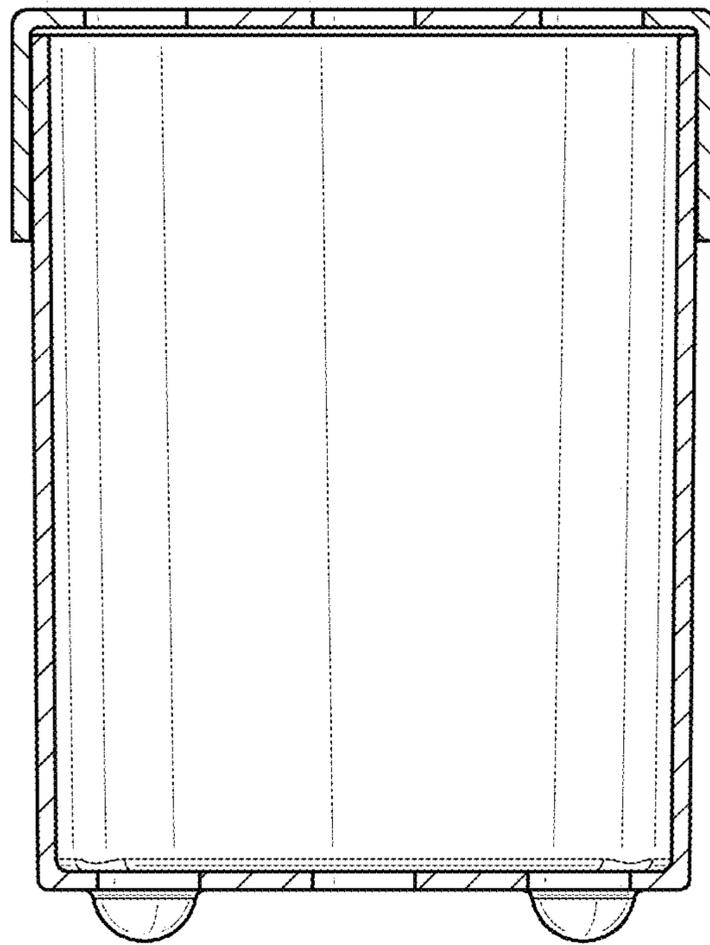


Fig. 3

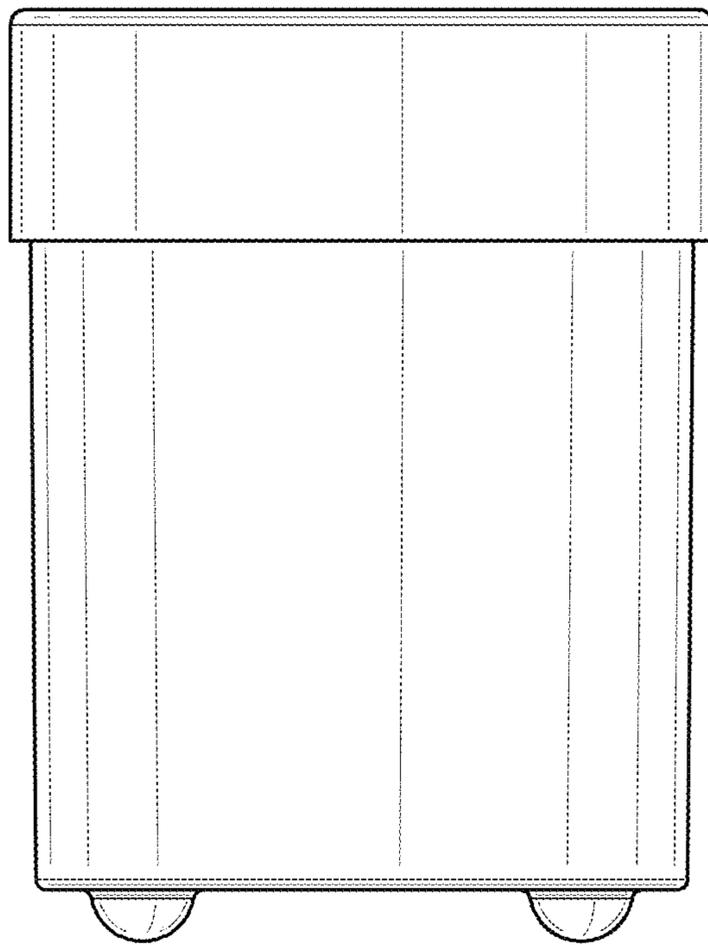


Fig. 4

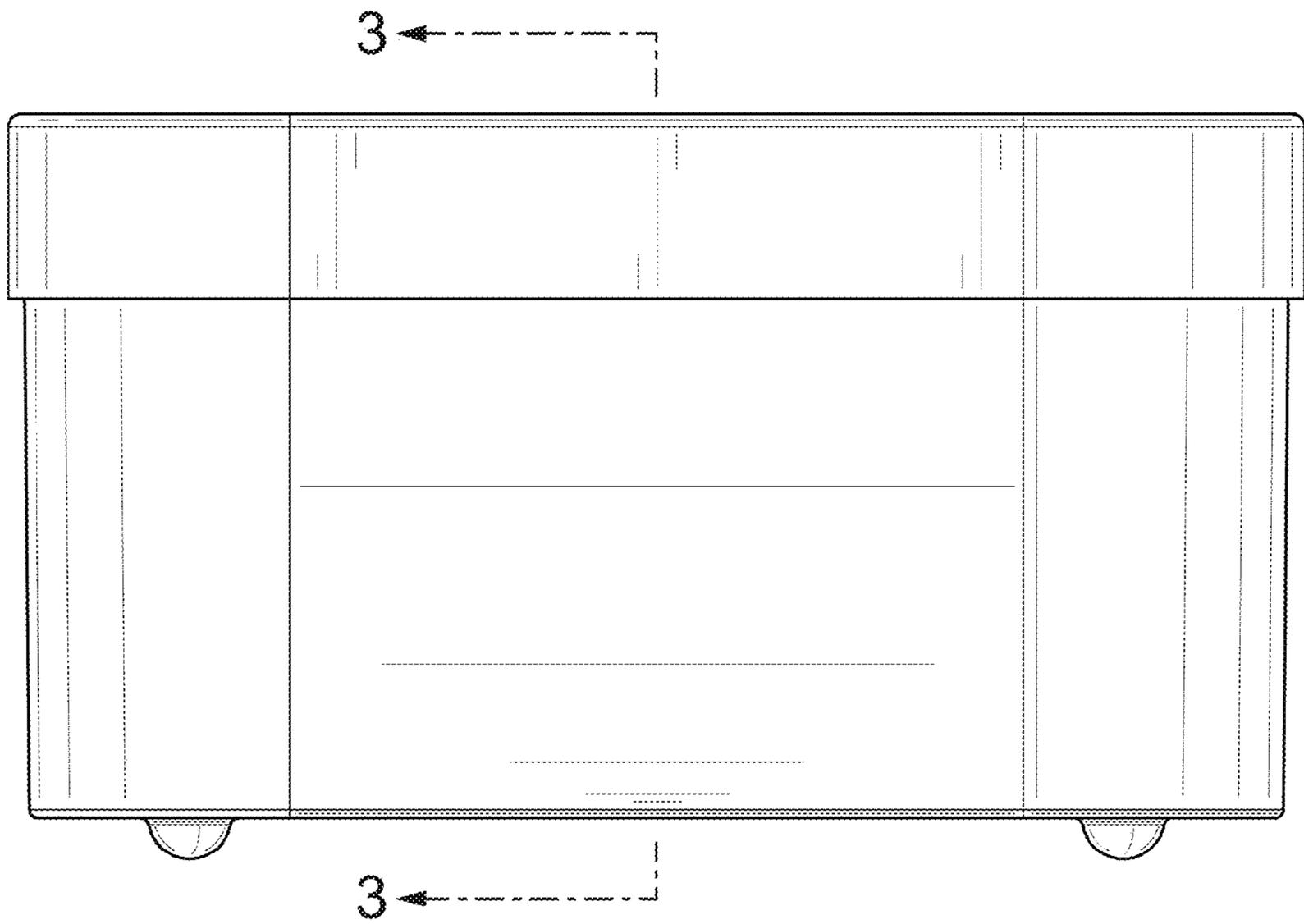


Fig. 5

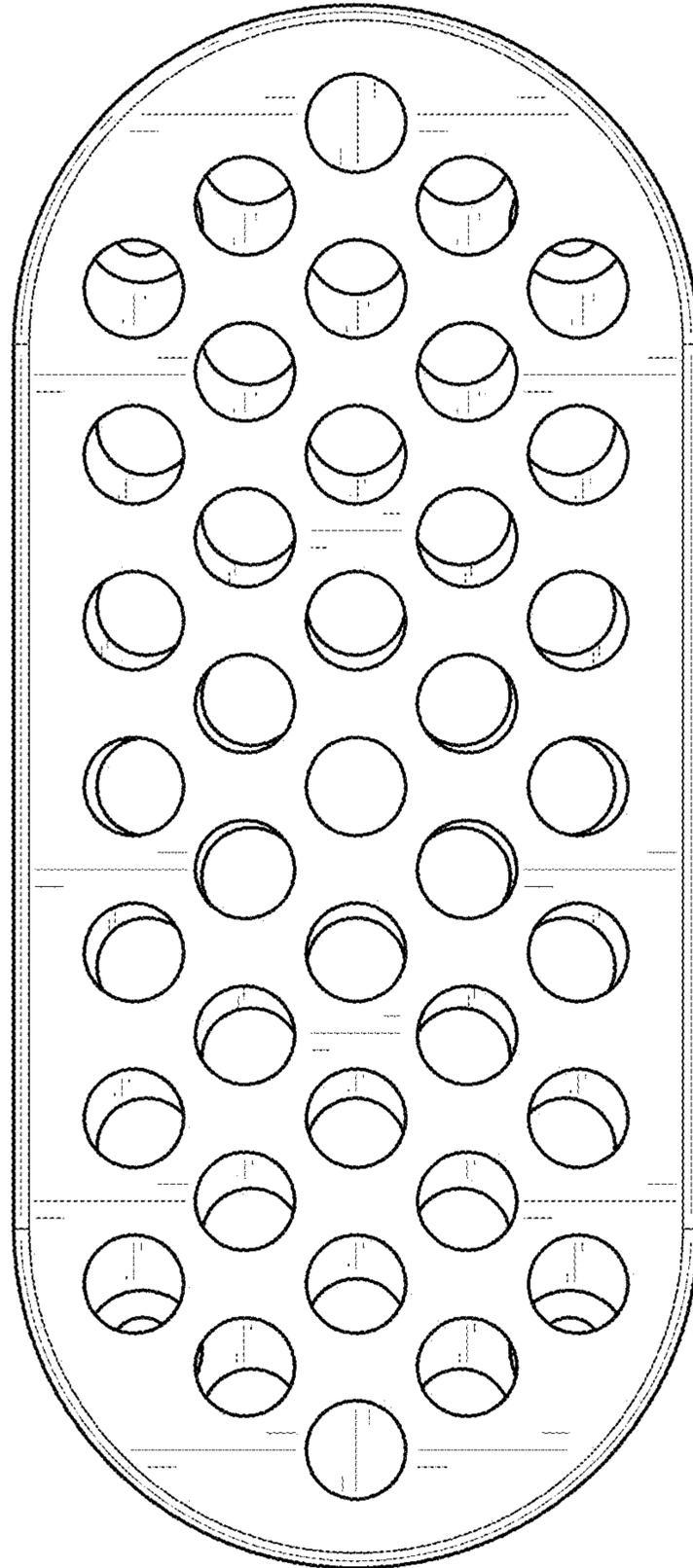


Fig. 6

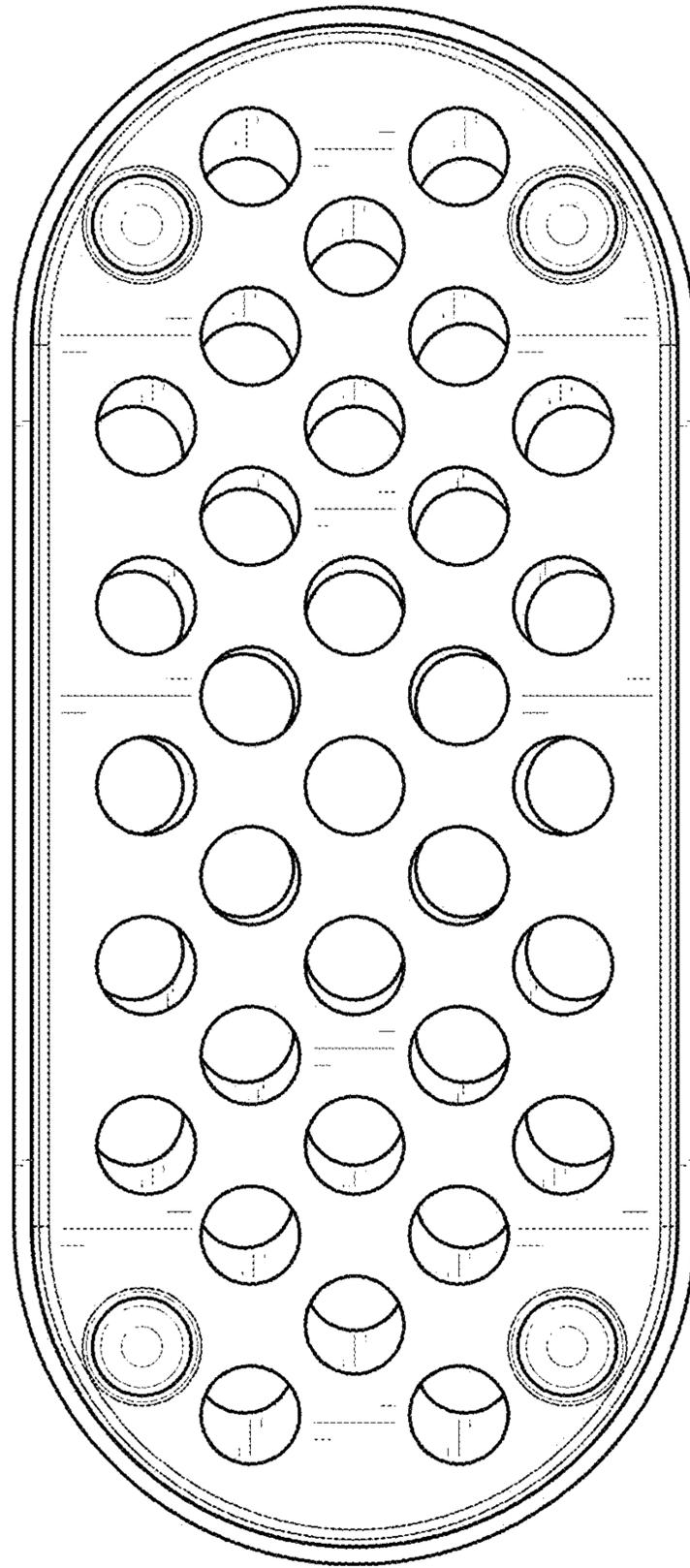


Fig. 7

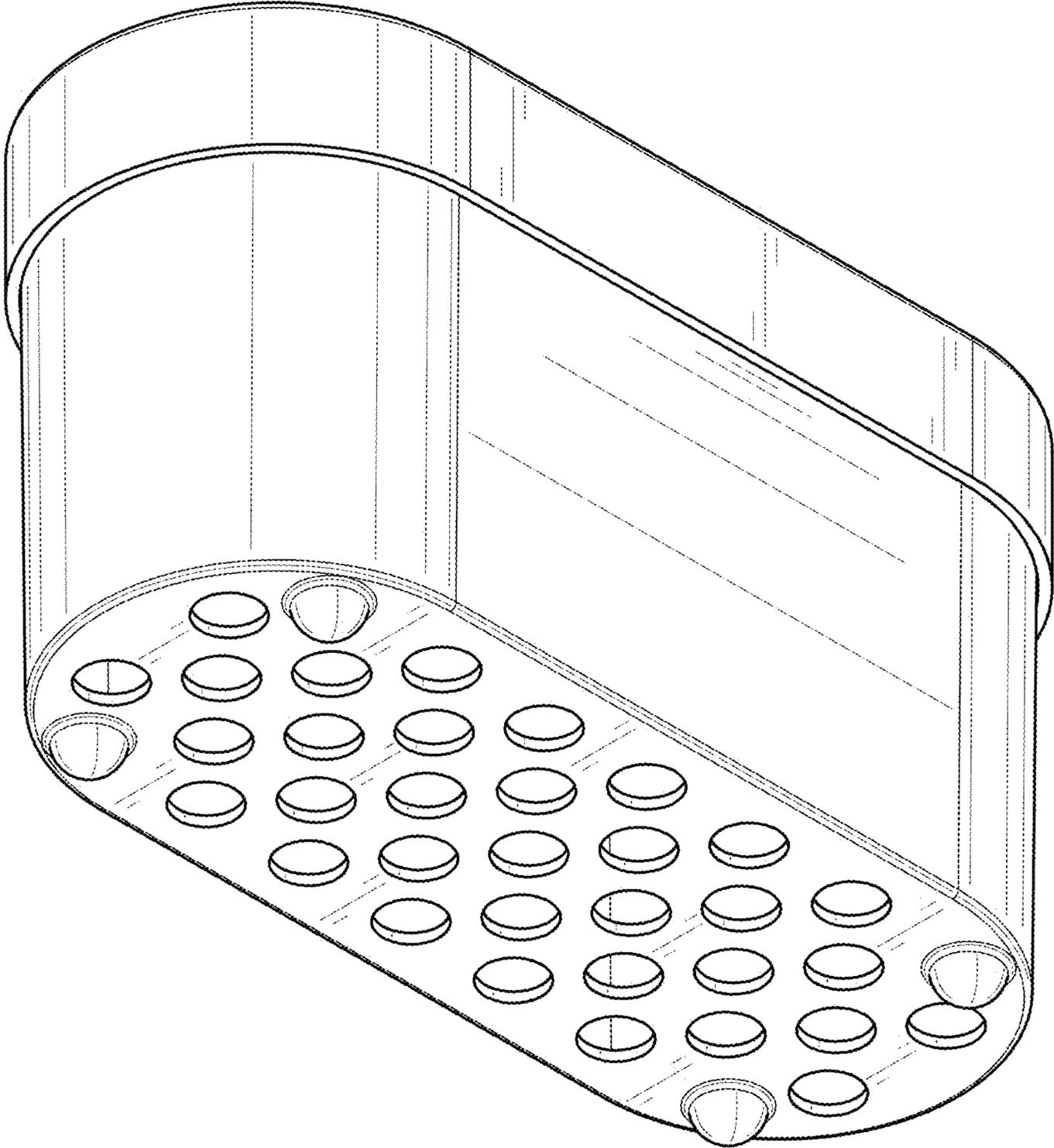


Fig. 8

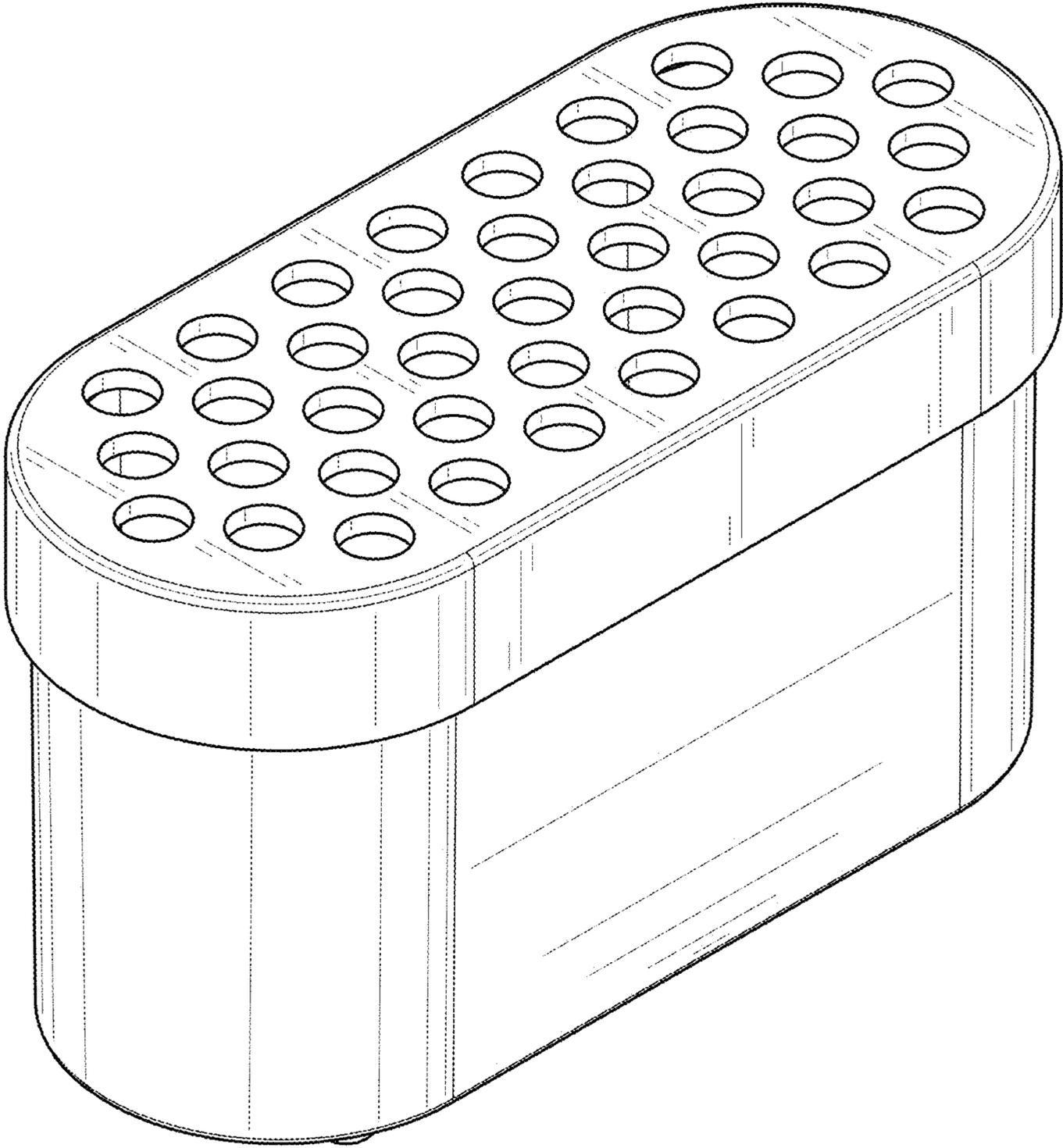


Fig. 9

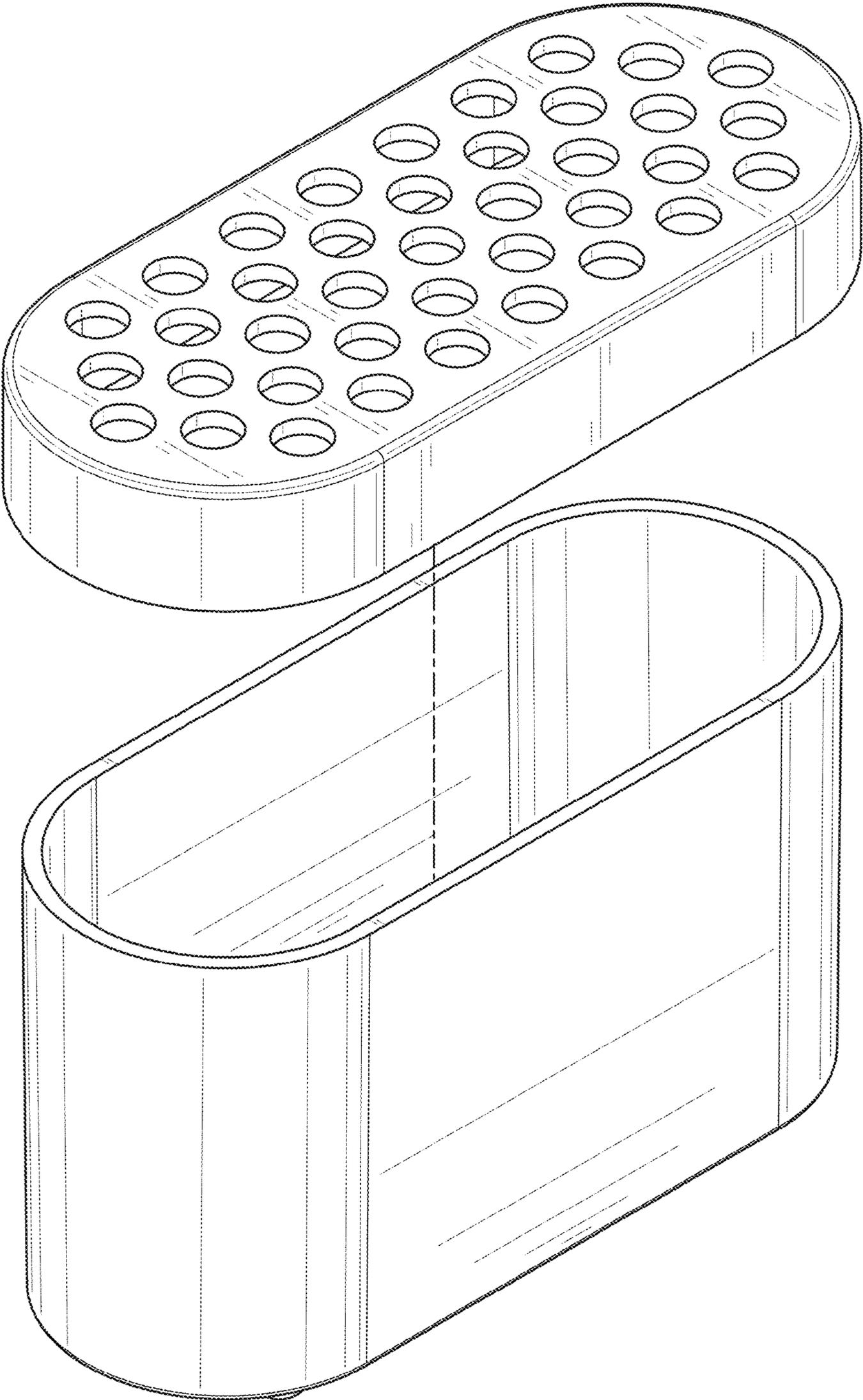


Fig. 10

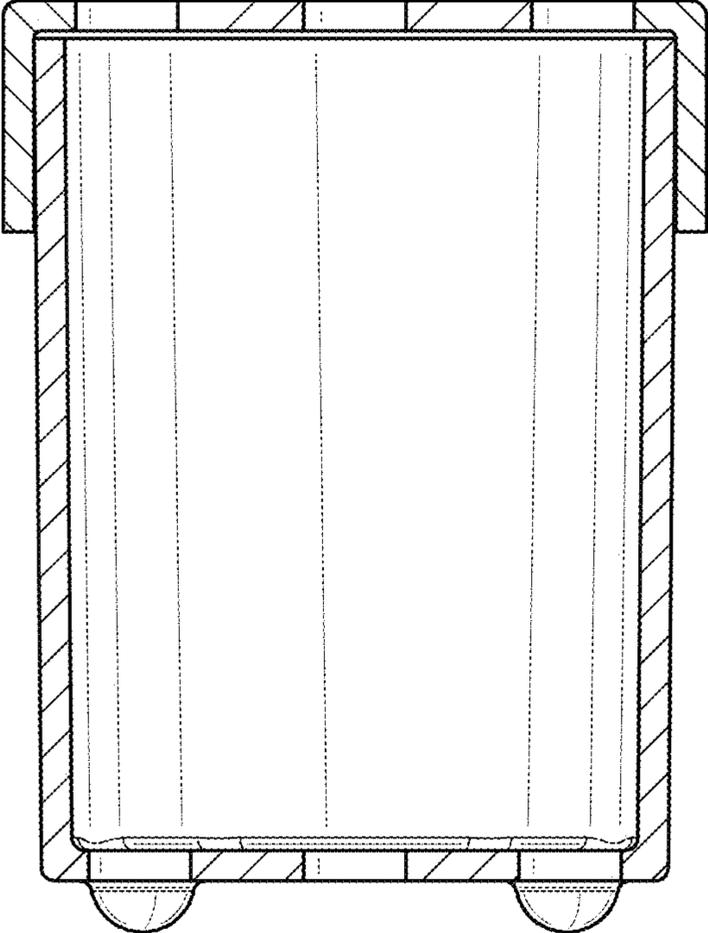


Fig. 11

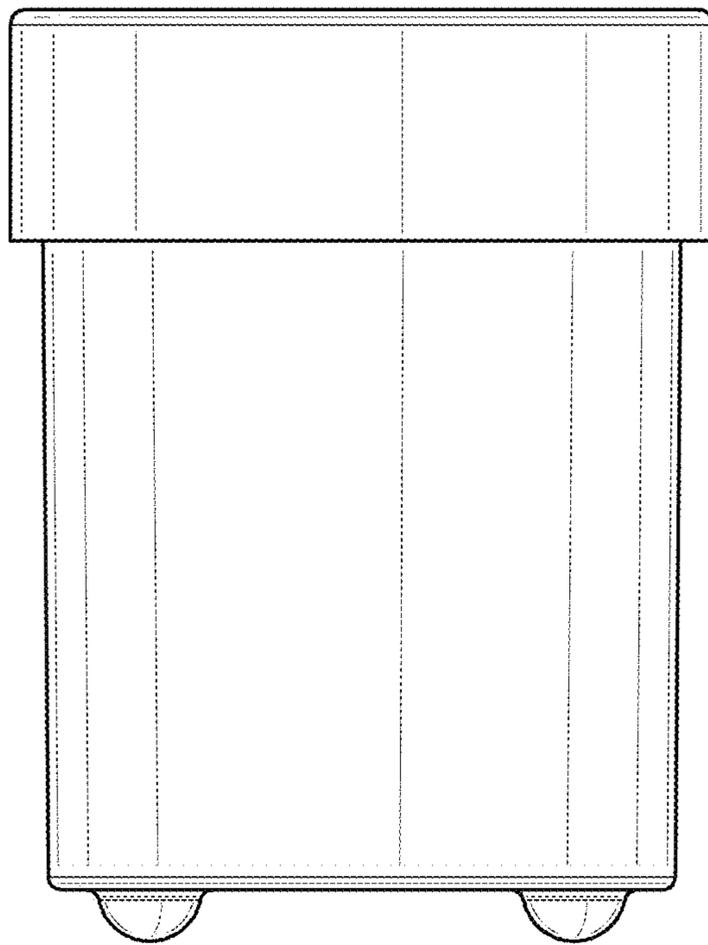


Fig. 12

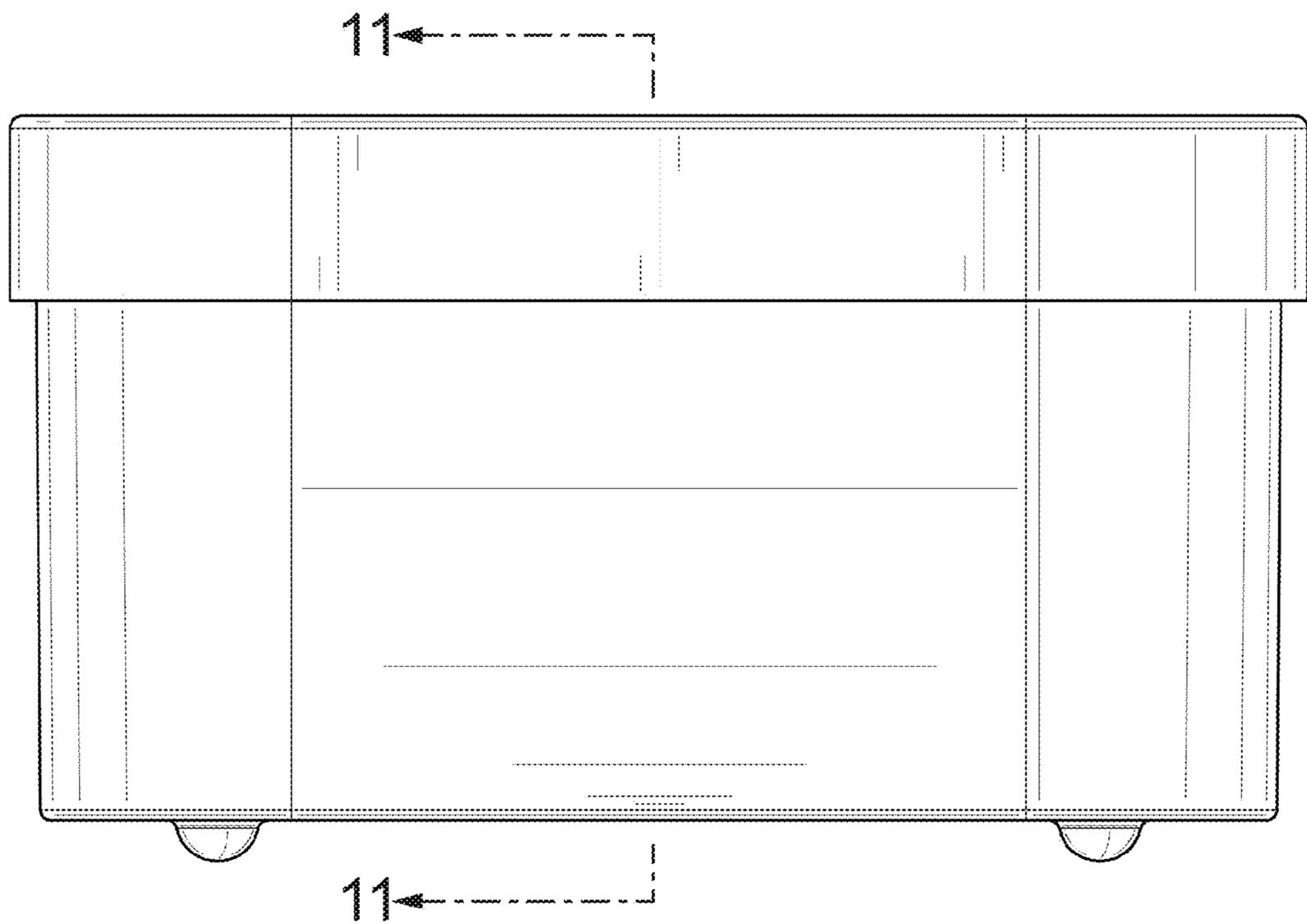


Fig. 13

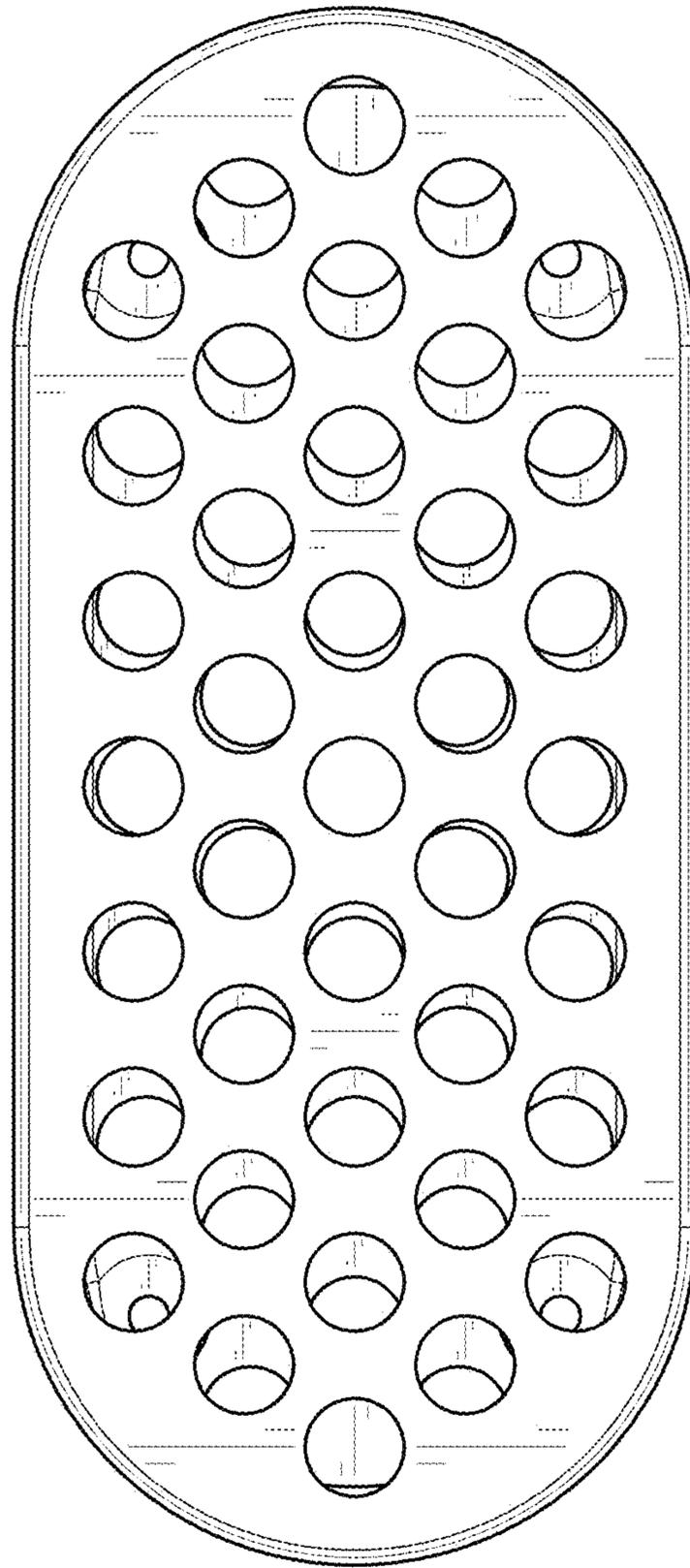


Fig. 14

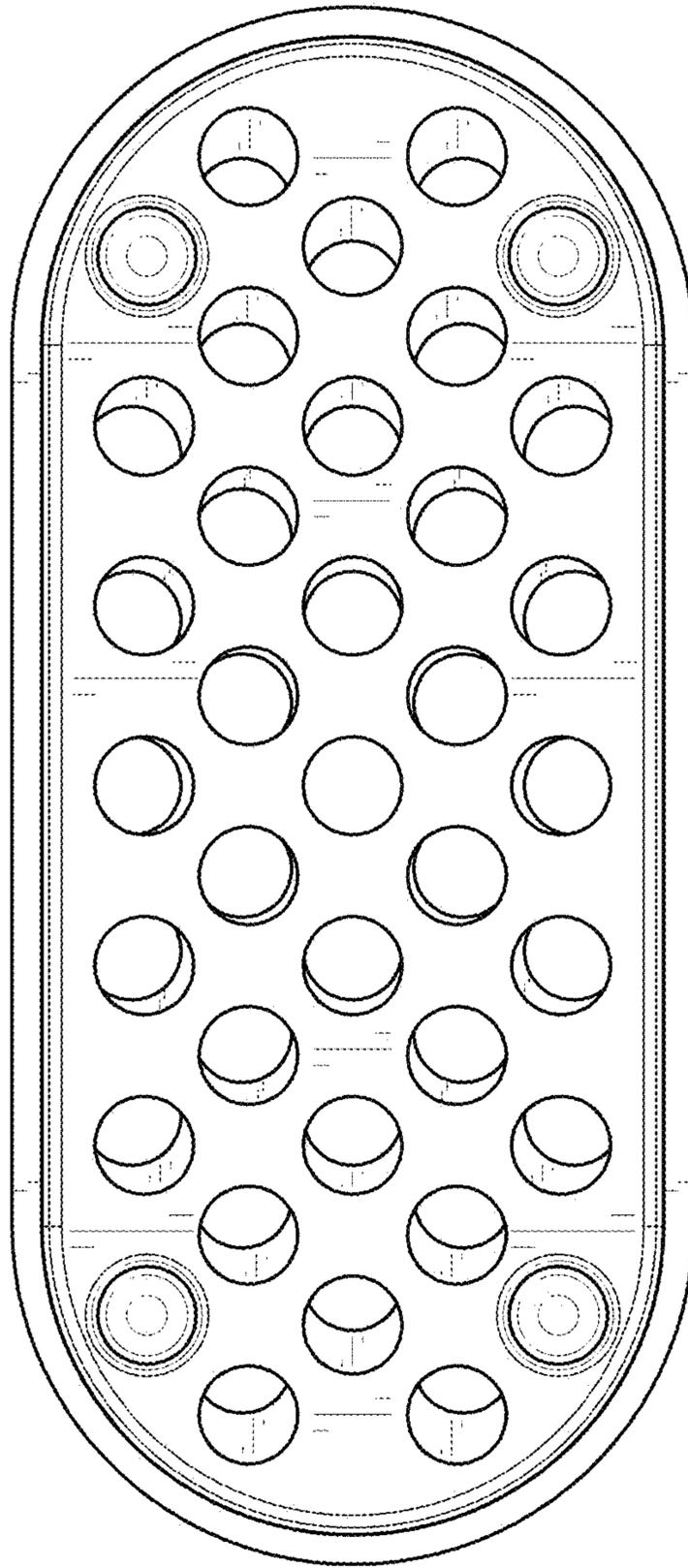


Fig. 15

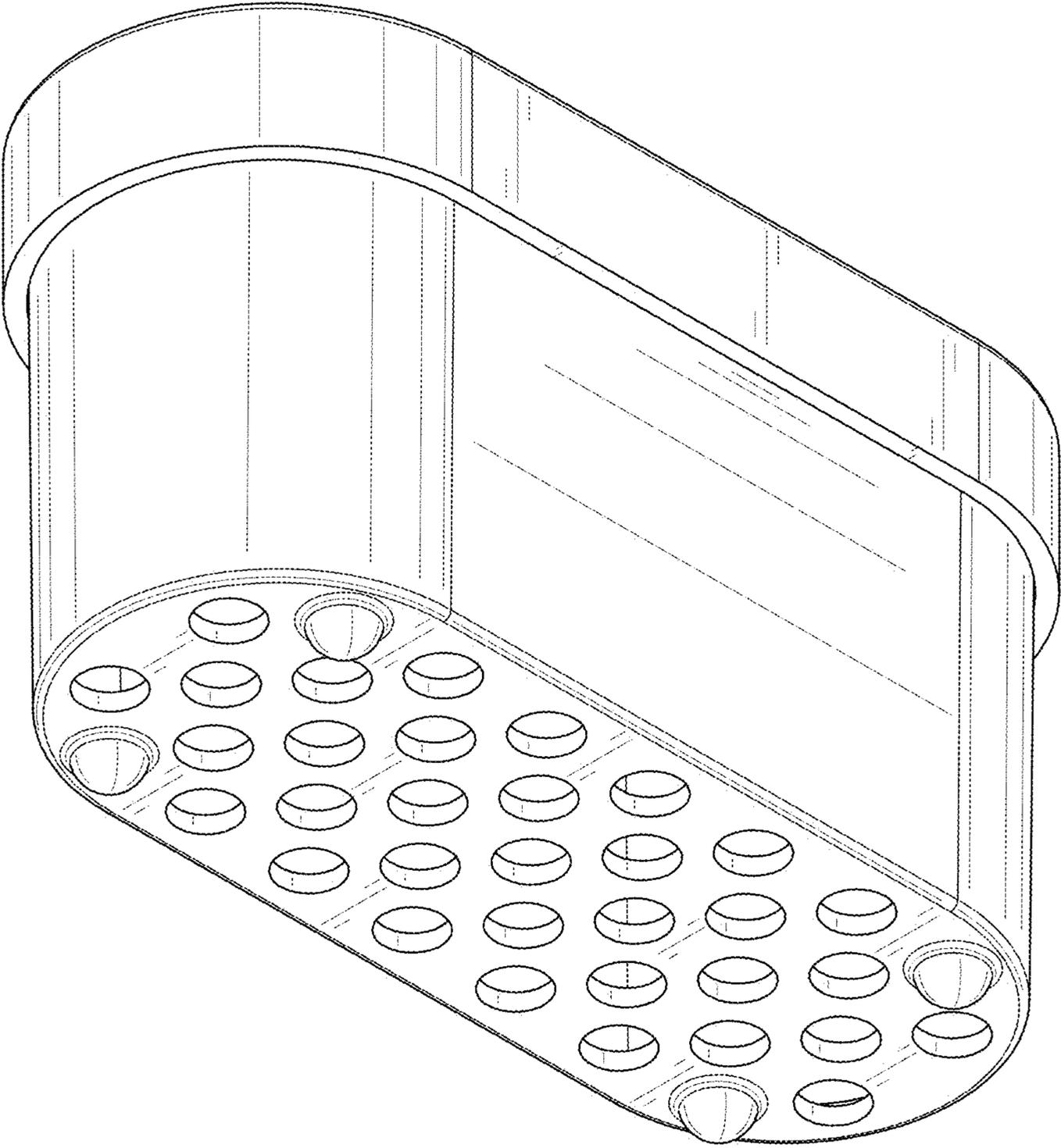


Fig. 16