



US00D950028S

(12) **United States Design Patent** (10) **Patent No.:** **US D950,028 S**
Pease et al. (45) **Date of Patent:** **** Apr. 26, 2022**

(54) **HEATER**

(71) Applicant: **VORNADO AIR, LLC**, Andover, KS (US)

(72) Inventors: **Gregory Pease**, Andover, KS (US); **Byron Loibl**, Wichita, KS (US); **Brian M. Cartwright**, Wichita, KS (US); **Cooper Phillips**, Wichita, KS (US); **Samuel Parduhn**, Wichita, KS (US)

(73) Assignee: **Vornado Air, LLC**, Andover, KS (US)

(**) Term: **15 Years**

(21) Appl. No.: **29/764,534**

(22) Filed: **Dec. 30, 2020**

(51) **LOC (13) Cl.** **23-03**

(52) **U.S. Cl.**
USPC **D23/335**

(58) **Field of Classification Search**
USPC D23/314, 330, 332, 334, 335, 336, 337, D23/338, 339, 340, 341, 355, 356, 364, D23/370, 381, 382

CPC F24H 3/002; F24H 9/2071; F24H 2250/00; F24H 9/0052; F24H 9/0057; F24H 9/02; F24H 9/1863; F24H 9/1854; F24H 9/1872; F24H 3/0411; F24H 3/0417

See application file for complete search history.

(56) **References Cited**

U.S. PATENT DOCUMENTS

D326,318 S 5/1992 Coup et al.
D384,733 S 10/1997 Jane et al.
D384,734 S 10/1997 Ellwood
D420,437 S 2/2000 Rossman et al.
D426,876 S 6/2000 Rossman et al.

D441,065 S 4/2001 Ediger et al.
D554,244 S 10/2007 Blateri
D597,640 S 8/2009 Israel et al.
D597,641 S 8/2009 Israel et al.
D654,578 S 2/2012 Ediger et al.
D673,256 S * 12/2012 Shapiro D23/411
D691,256 S * 10/2013 Pan D23/411
D822,805 S 7/2018 Ediger et al.
D858,728 S 9/2019 Meng
D865,146 S * 10/2019 Meng D23/335
D871,565 S 12/2019 Ma
D888,218 S 6/2020 Wang
D895,780 S * 9/2020 Israel D23/335
D921,883 S * 6/2021 Israel D23/412

* cited by examiner

Primary Examiner — Ania Aman

(74) *Attorney, Agent, or Firm* — Avyno Law P.C.

(57) **CLAIM**

We claim the ornamental design for a heater, as shown and described.

DESCRIPTION

FIG. 1 is a front perspective view of a heater of the present invention.

FIG. 2 is a rear perspective view of a heater of the present invention.

FIG. 3 is a front elevation view of the heater of FIG. 1.

FIG. 4 is a rear elevation view of the heater of FIG. 1.

FIG. 5 is a side elevation view of the right side of the heater of FIG. 1.

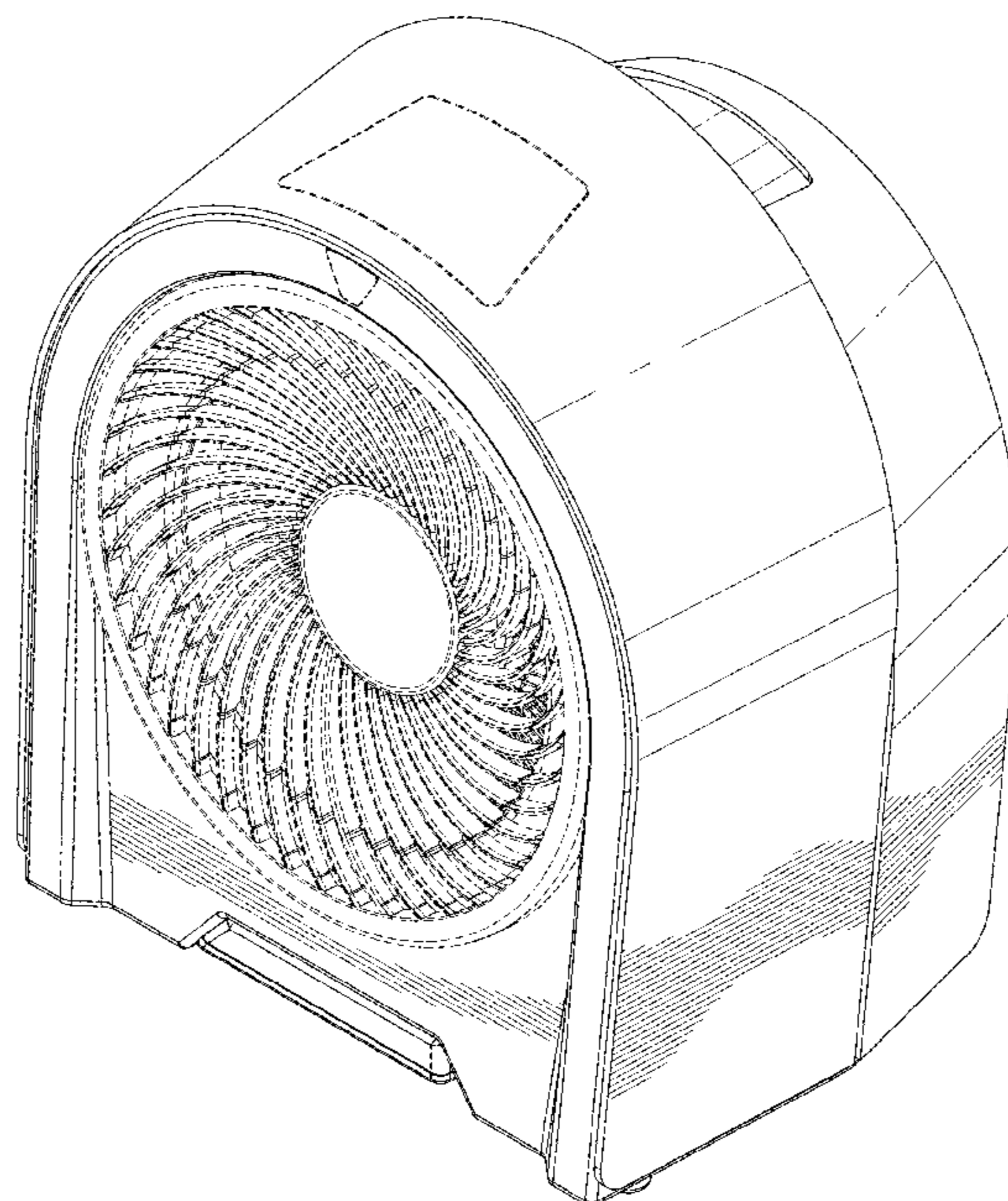
FIG. 6 is a side elevation view of the left side of the heater of FIG. 1.

FIG. 7 is a top plan view of the heater of FIG. 1; and,

FIG. 8 is a bottom plan view of the heater of FIG. 1.

In the drawings, the broken lines depict portions of the heater that form no part of the claimed design.

1 Claim, 7 Drawing Sheets



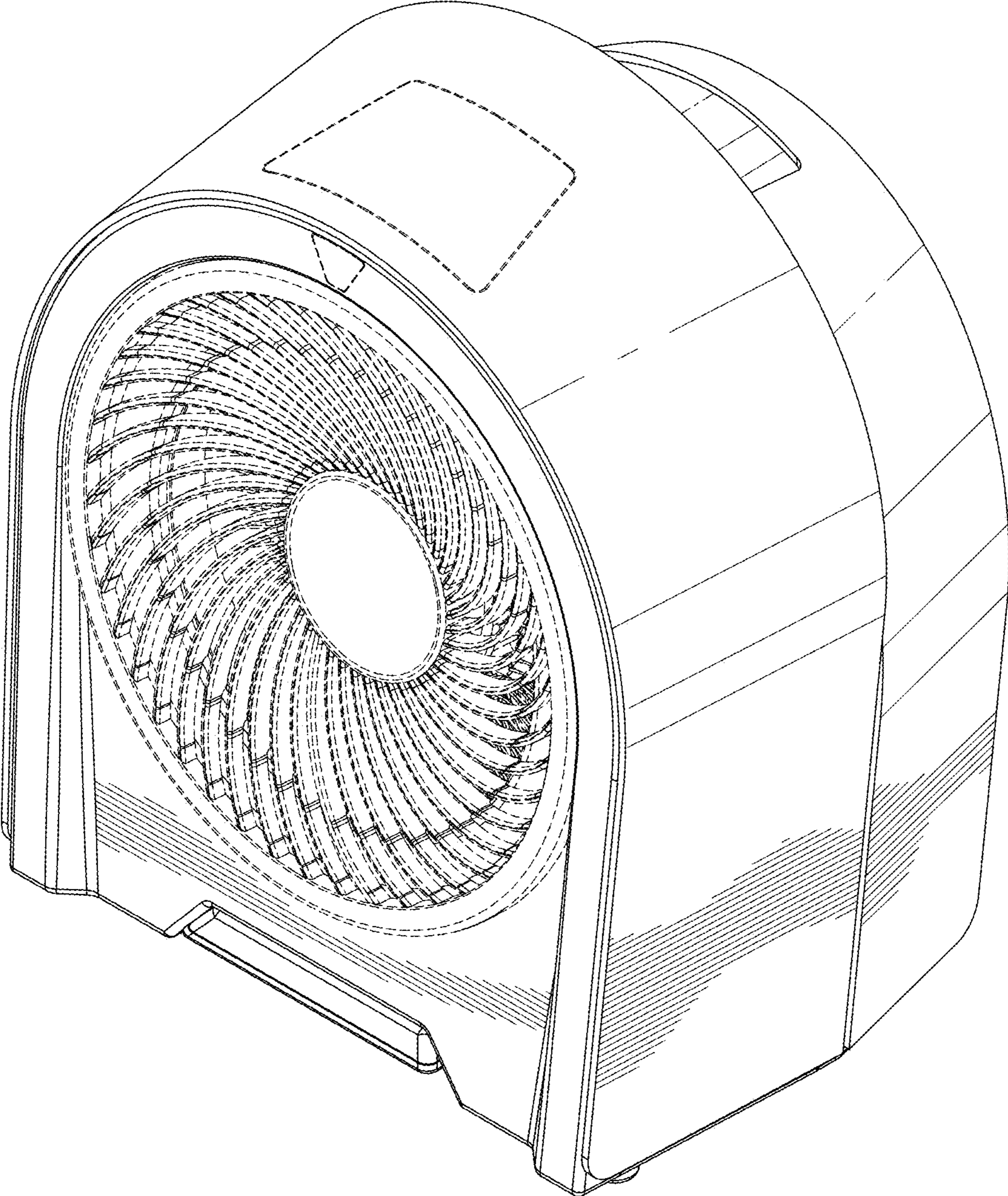


FIG. 1

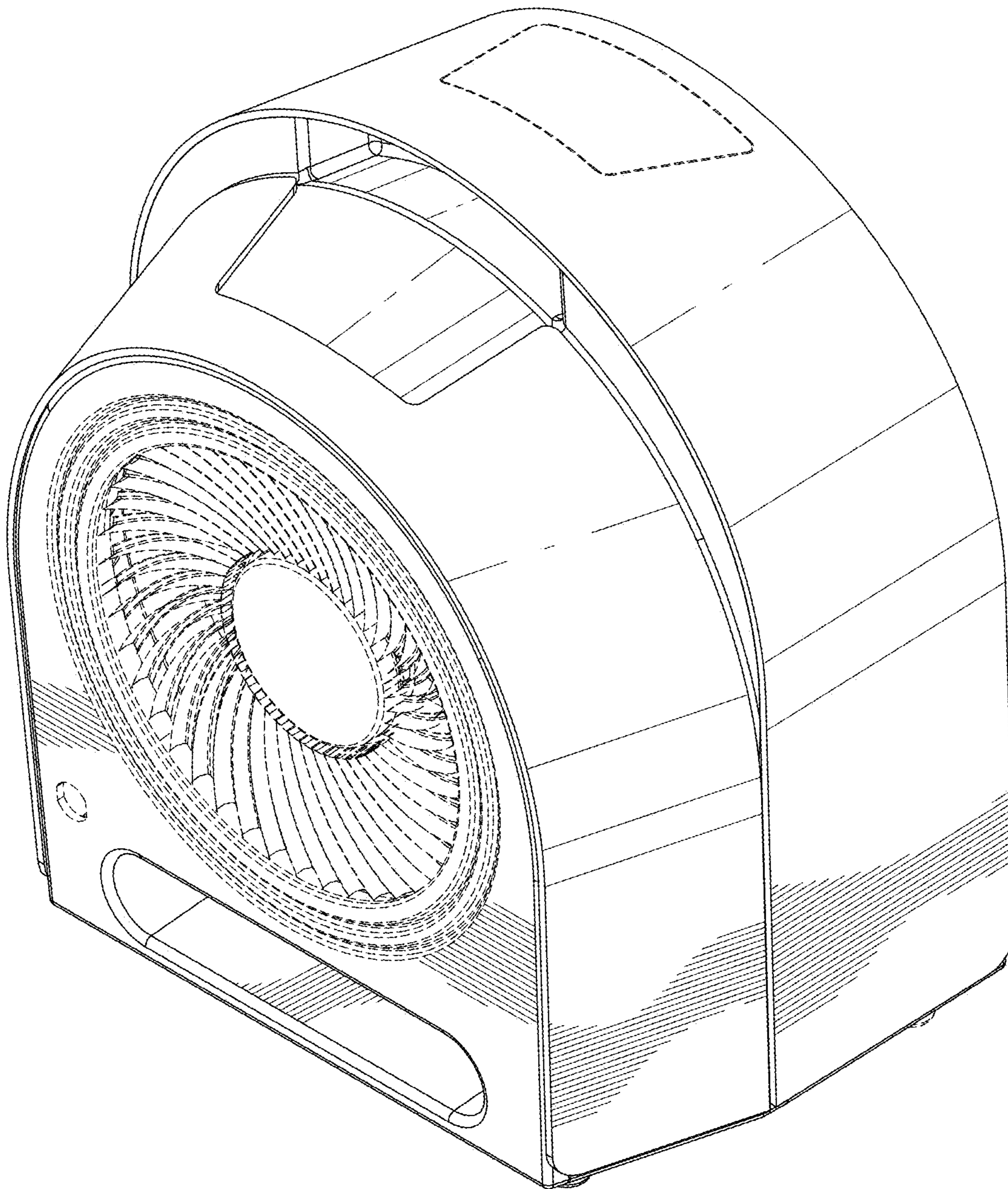


FIG. 2

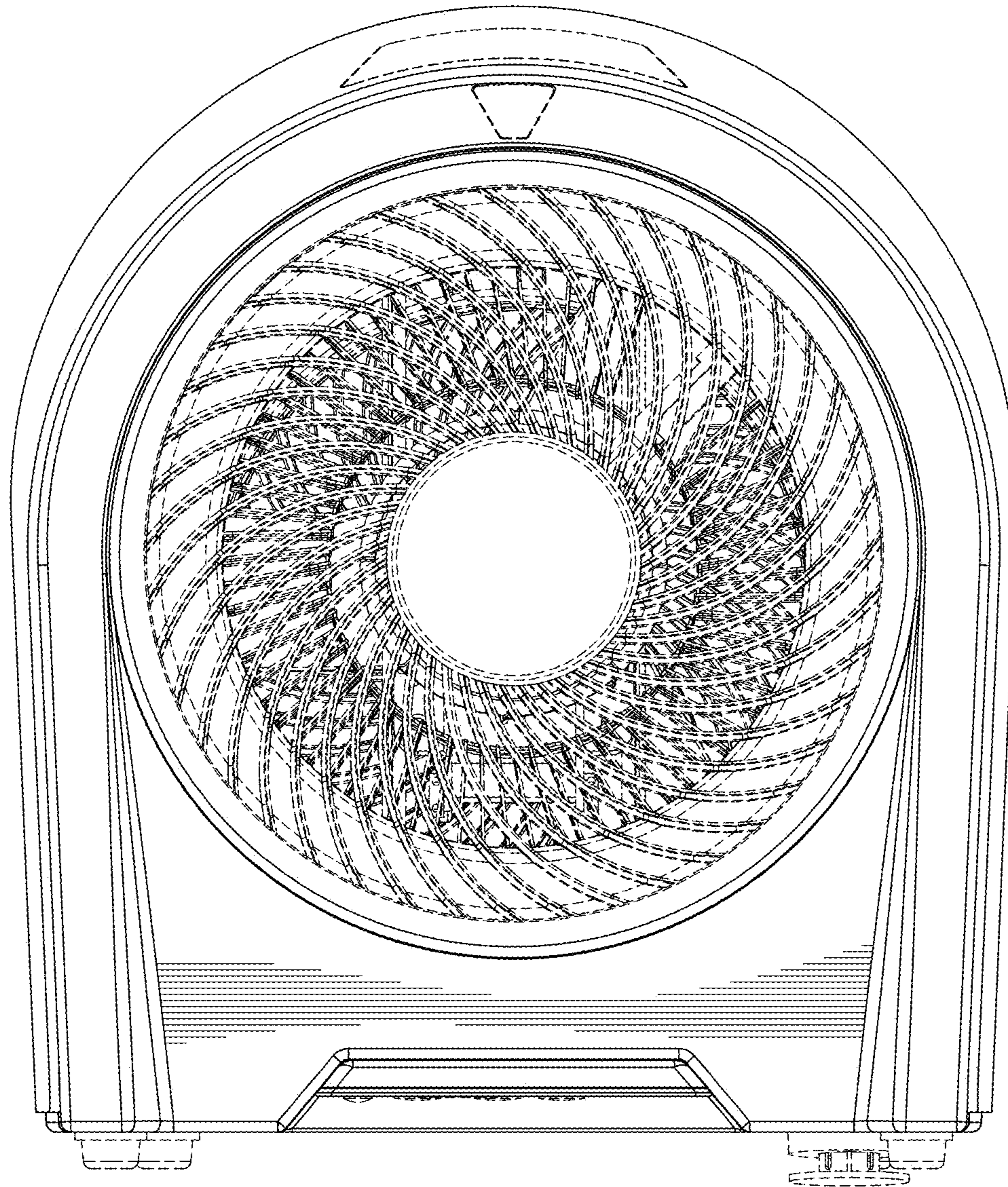


FIG. 3

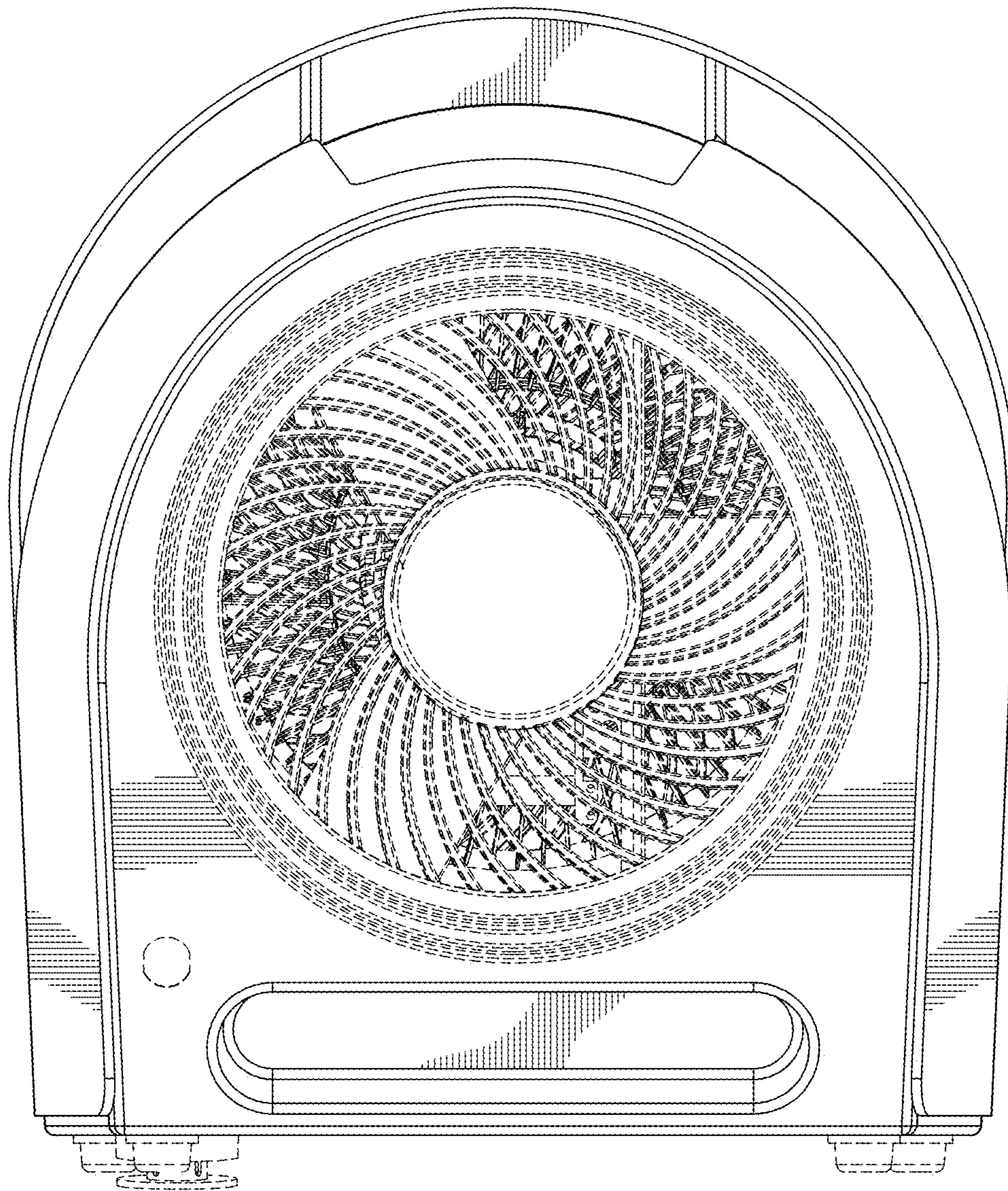


FIG. 4

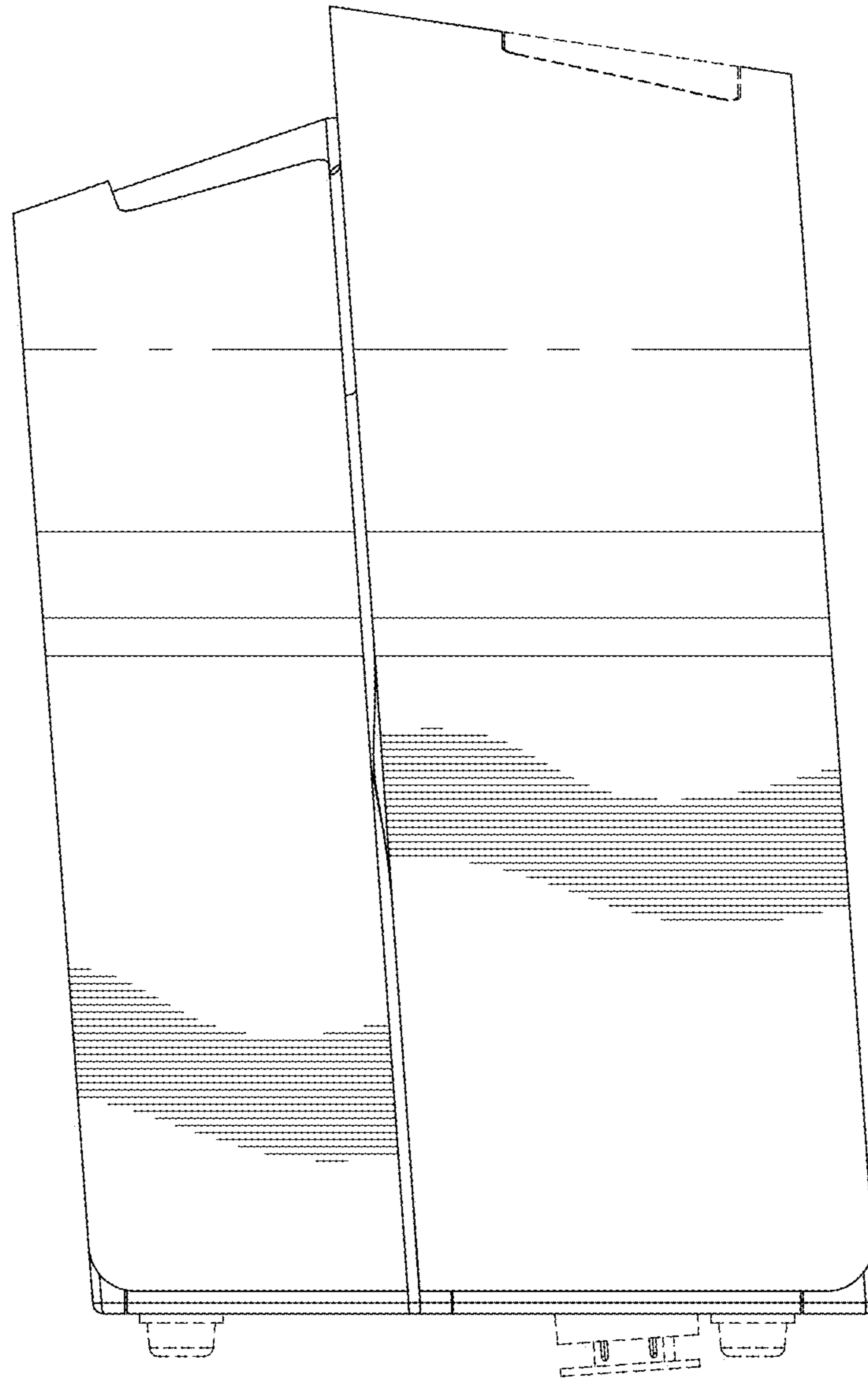


FIG. 5

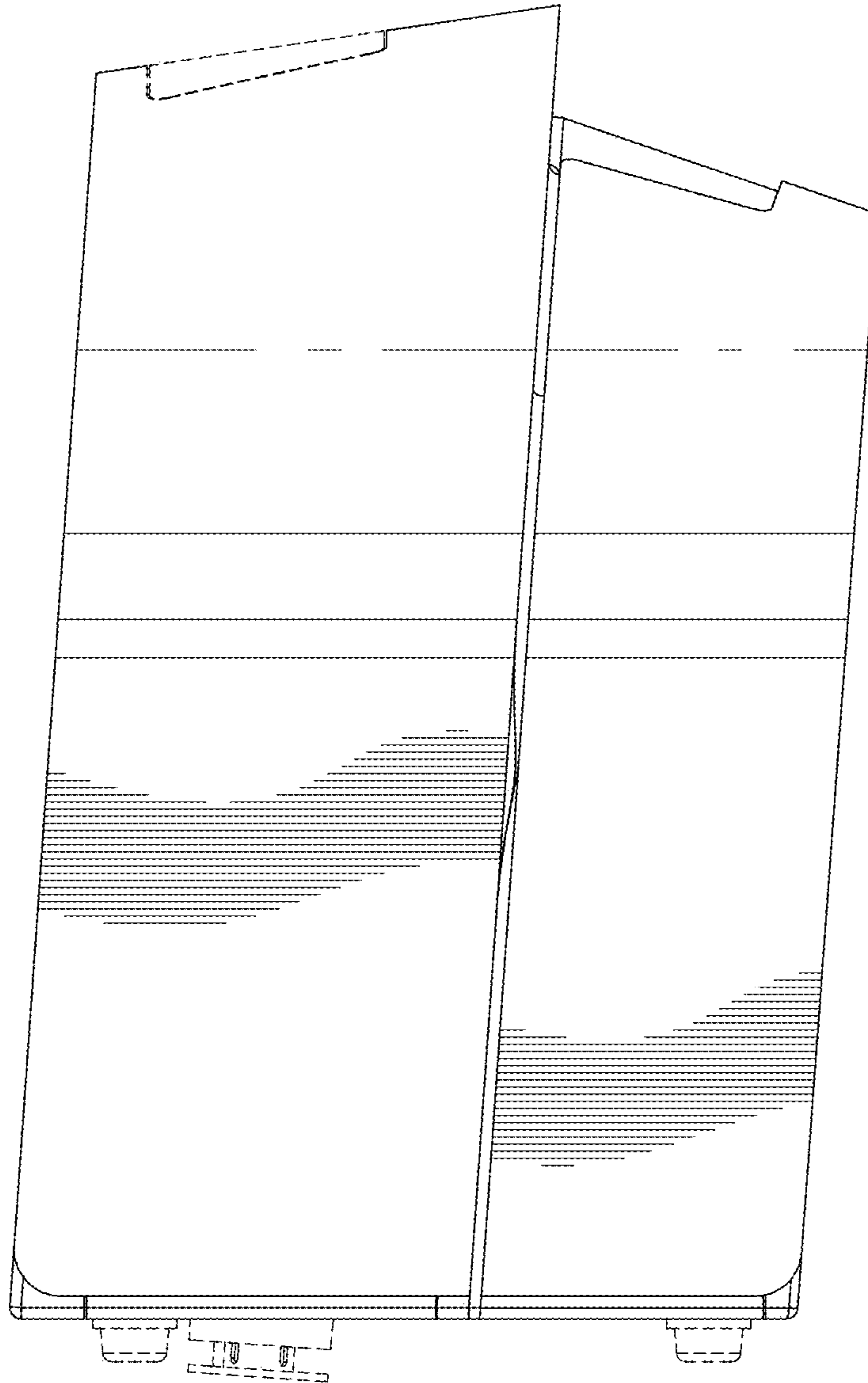


FIG. 6

FIG. 7

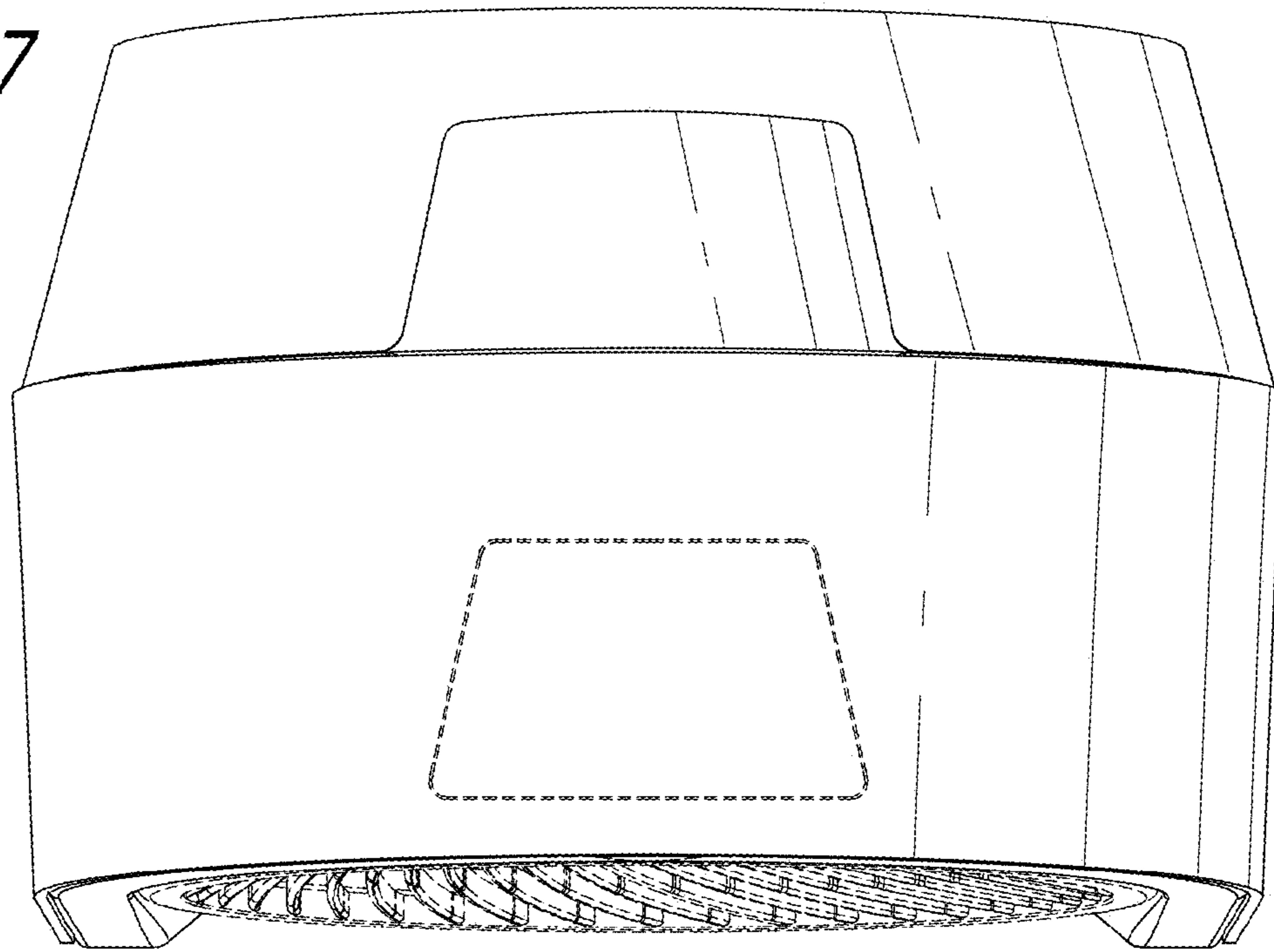


FIG. 8

