



US00D950027S

(12) **United States Design Patent**  
**Bucher**

(10) **Patent No.:** **US D950,027 S**

(45) **Date of Patent:** **\*\* Apr. 26, 2022**

(54) **TOILET TANK**

D797,910 S \* 9/2017 Garland ..... D23/301  
D893,689 S \* 8/2020 Goad ..... D23/313

(71) Applicant: **AS America, Inc.**, Piscataway, NJ (US)

\* cited by examiner

(72) Inventor: **Christophe Bucher**, Hillsborough, NJ (US)

*Primary Examiner* — Robert A Delehanty

(73) Assignee: **AS America, Inc.**, Piscataway, NJ (US)

(74) *Attorney, Agent, or Firm* — Tyler A. Stevenson;  
Anna-lisa L. Gallo

(\*\*) Term: **15 Years**

(21) Appl. No.: **29/814,412**

(22) Filed: **Nov. 5, 2021**

(57) **CLAIM**

I claim the ornamental design for a toilet tank, shown and described.

**Related U.S. Application Data**

(63) Continuation of application No. 29/709,770, filed on Oct. 17, 2019, now Pat. No. Des. 937,997.

(51) **LOC (13) Cl.** ..... **23-02**

(52) **U.S. Cl.**  
USPC ..... **D23/313**

(58) **Field of Classification Search**  
USPC ..... D23/295, 301, 309, 313  
See application file for complete search history.

**DESCRIPTION**

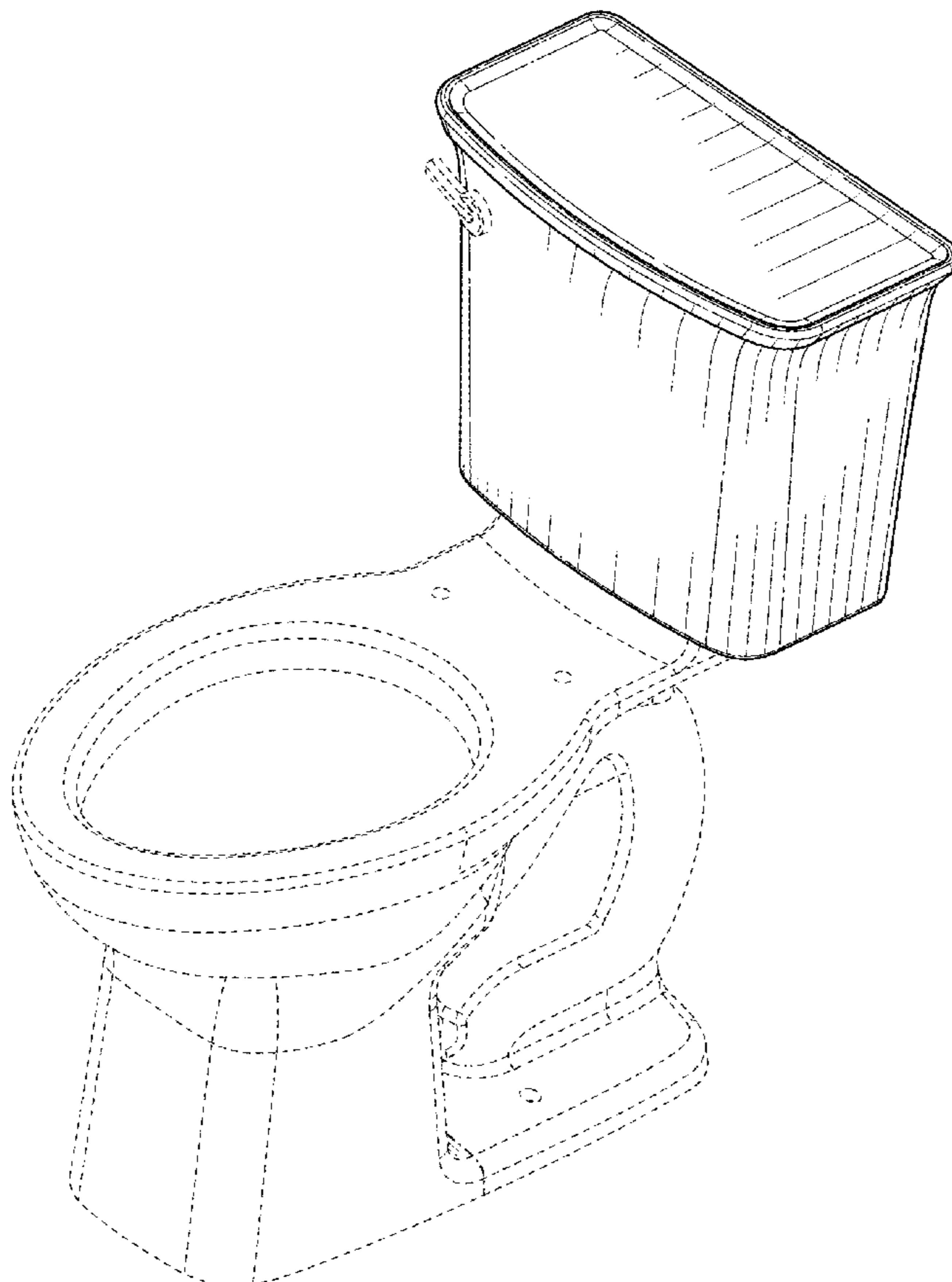
FIG. 1 is a front, top, right side perspective view of a toilet tank showing my new design;  
FIG. 2 is a front view thereof;  
FIG. 3 is a rear view thereof;  
FIG. 4 is a left side view thereof;  
FIG. 5 is a right side view thereof;  
FIG. 6 is a top view thereof;  
FIG. 7 is a bottom view thereof; and,  
FIG. 8 is a rear, bottom, right side, perspective view thereof. Broken lines shown in the figures depict portions of the toilet tank that form no part of the claimed design.

(56) **References Cited**

**U.S. PATENT DOCUMENTS**

D441,437 S \* 5/2001 McKeone ..... D23/301  
D585,128 S \* 1/2009 Slothower ..... D23/313

**1 Claim, 7 Drawing Sheets**



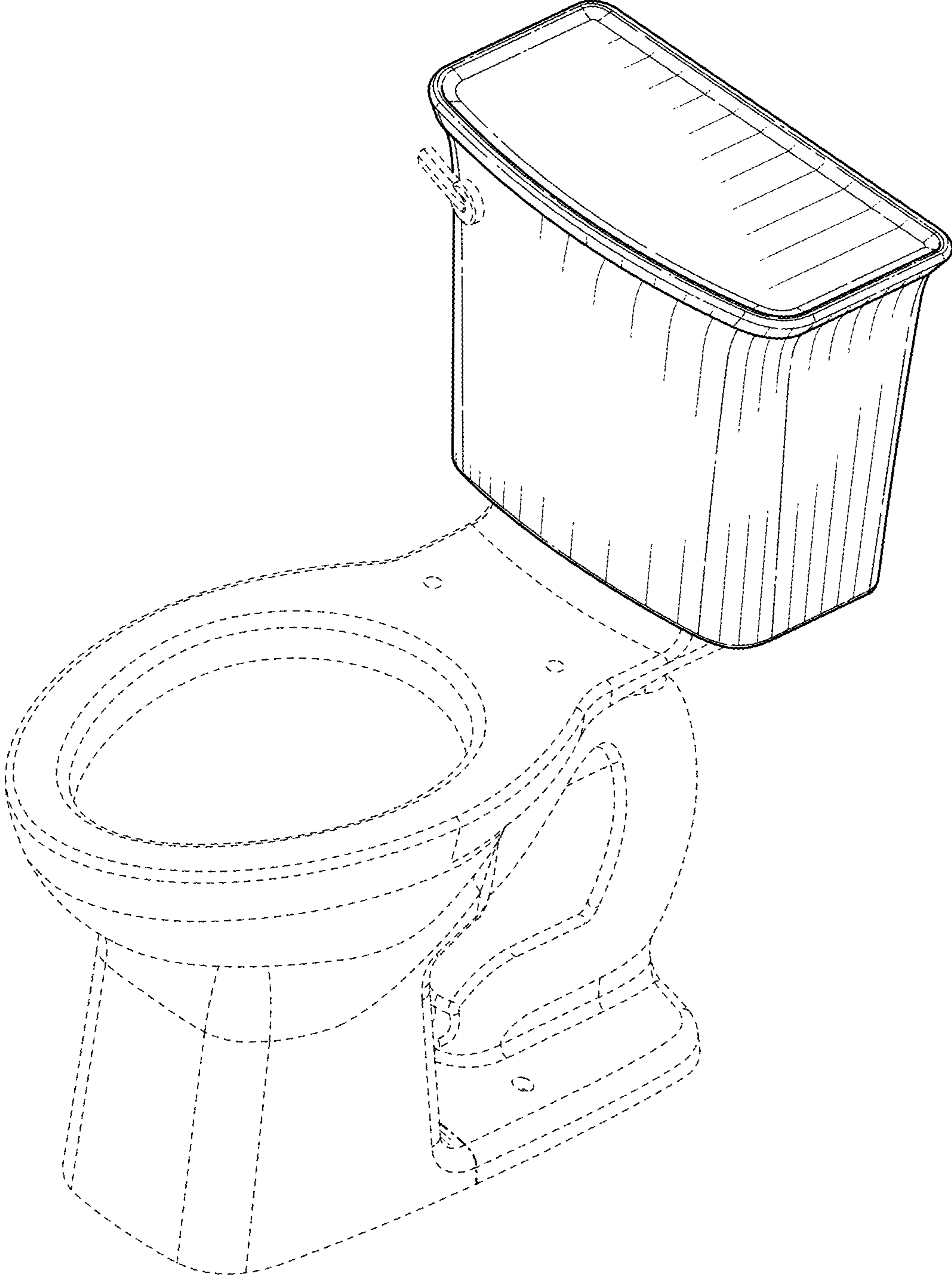


FIG. 1

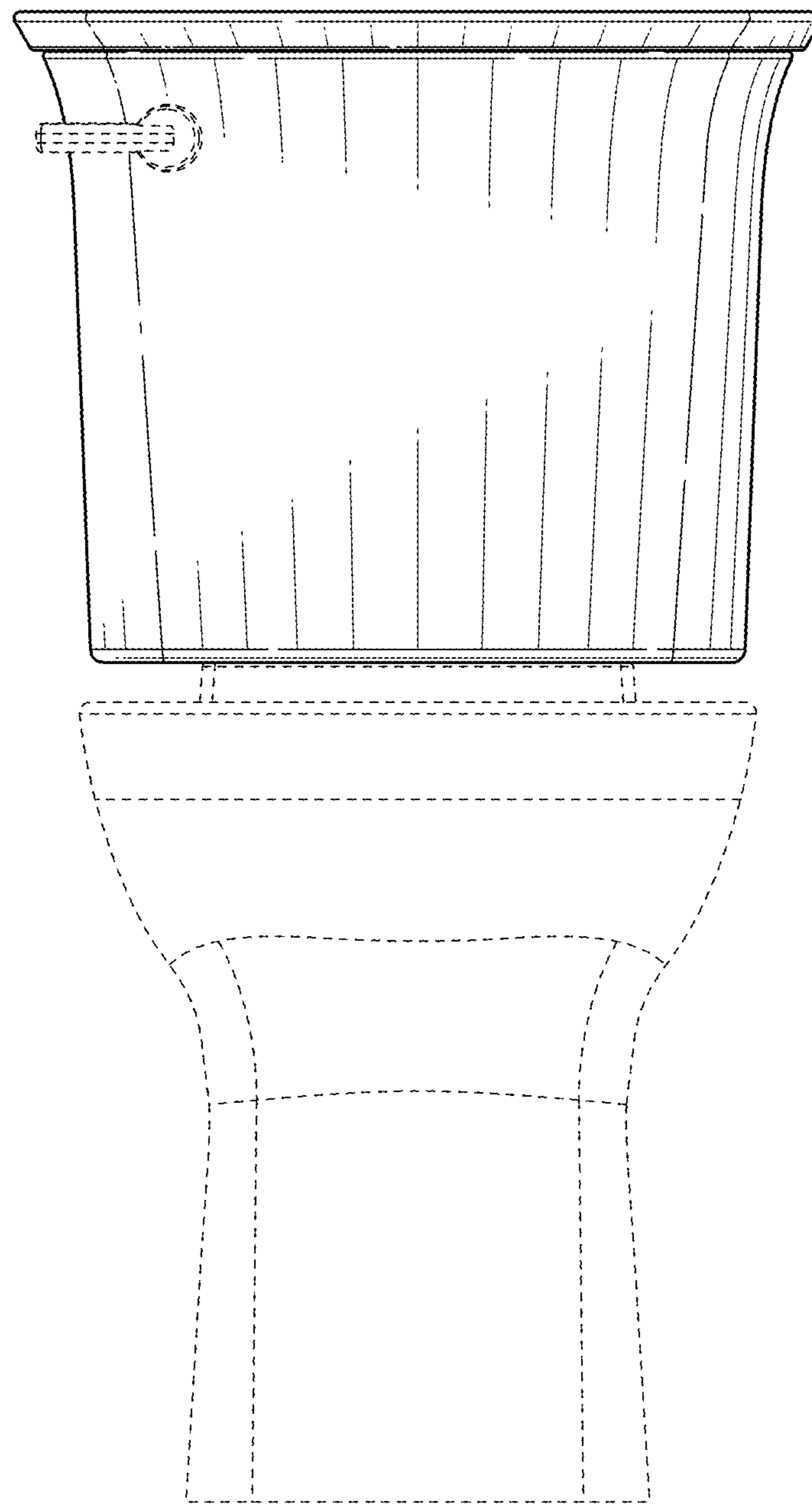


FIG. 2

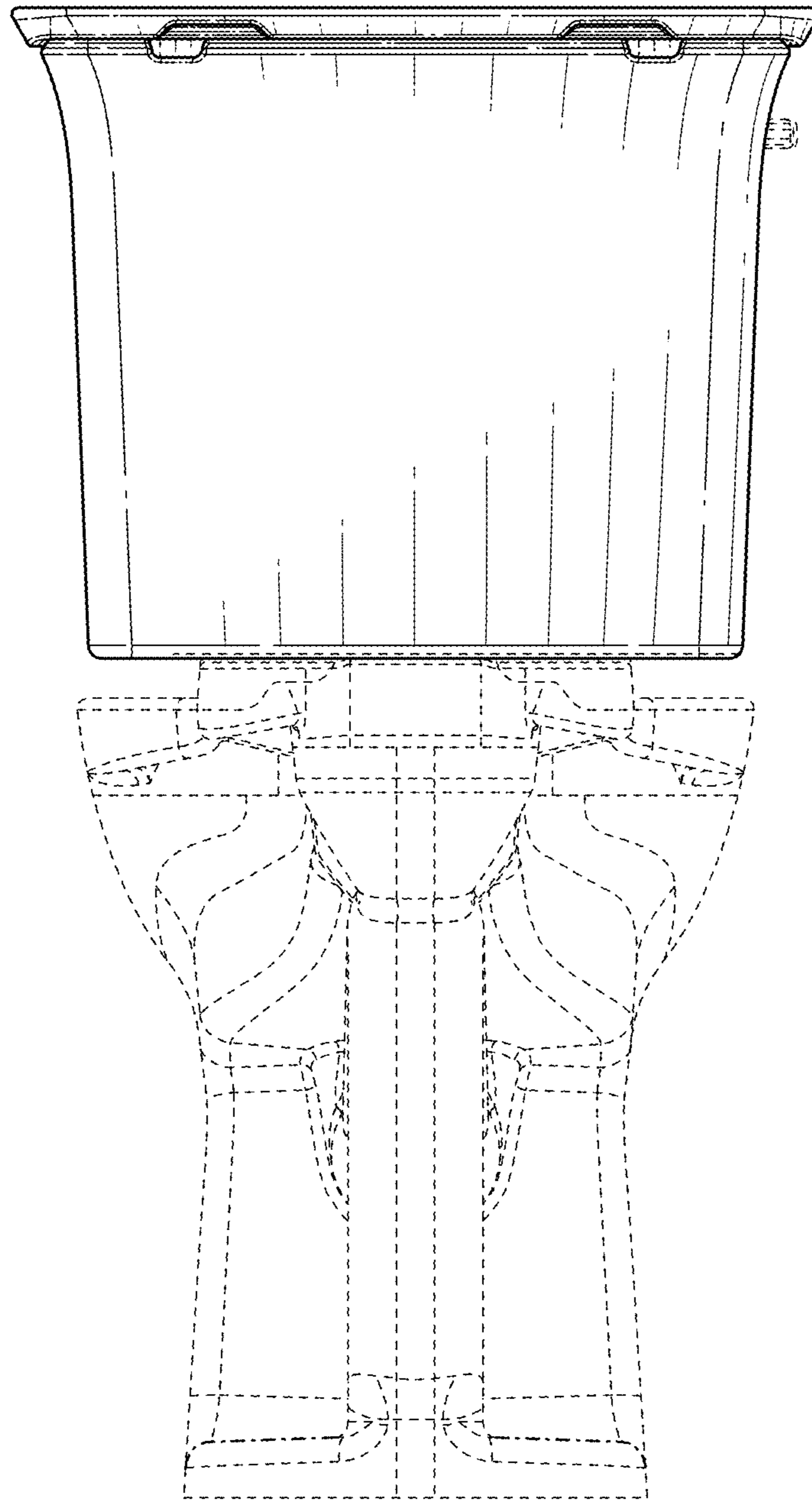


FIG. 3

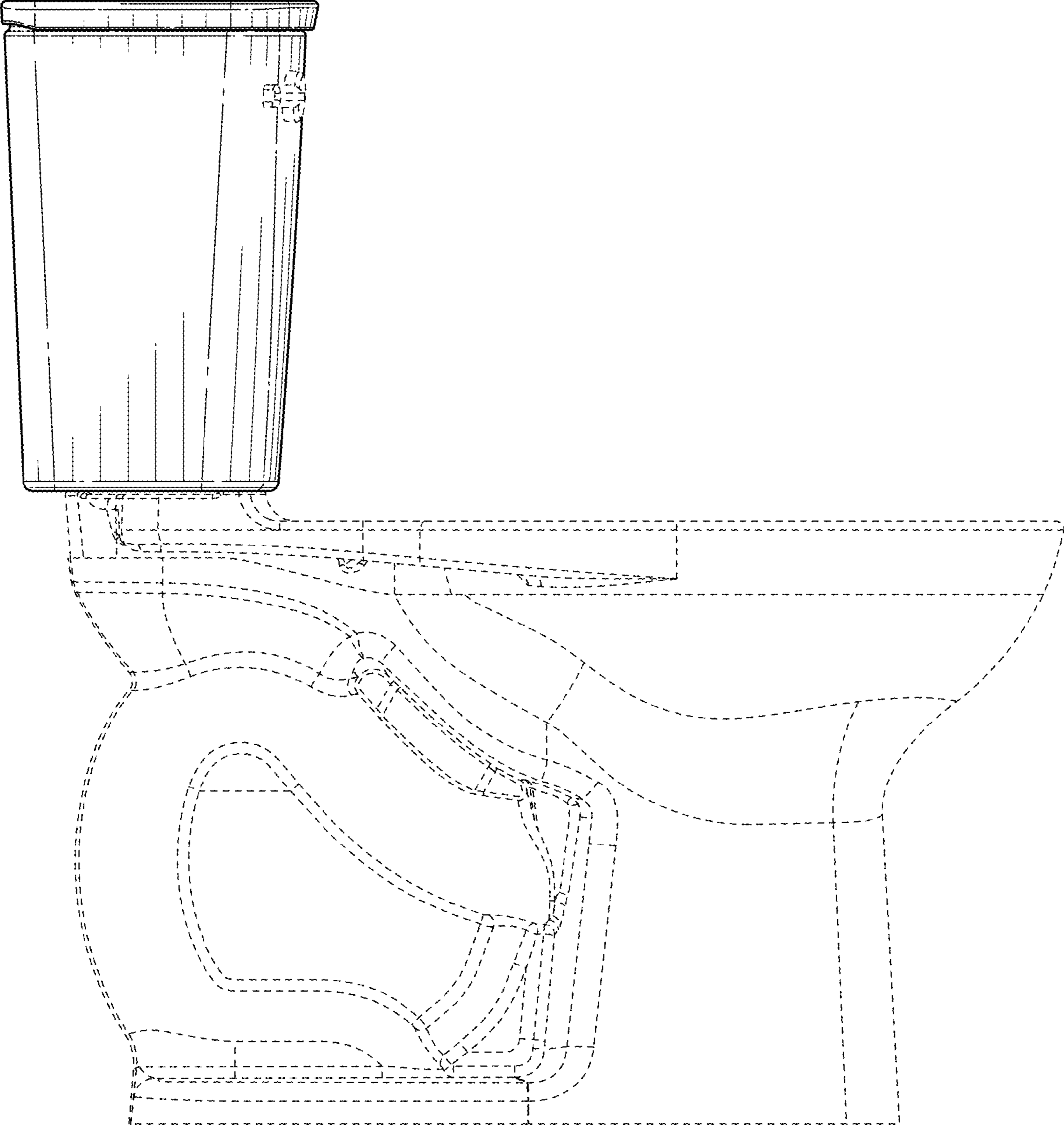


FIG. 4



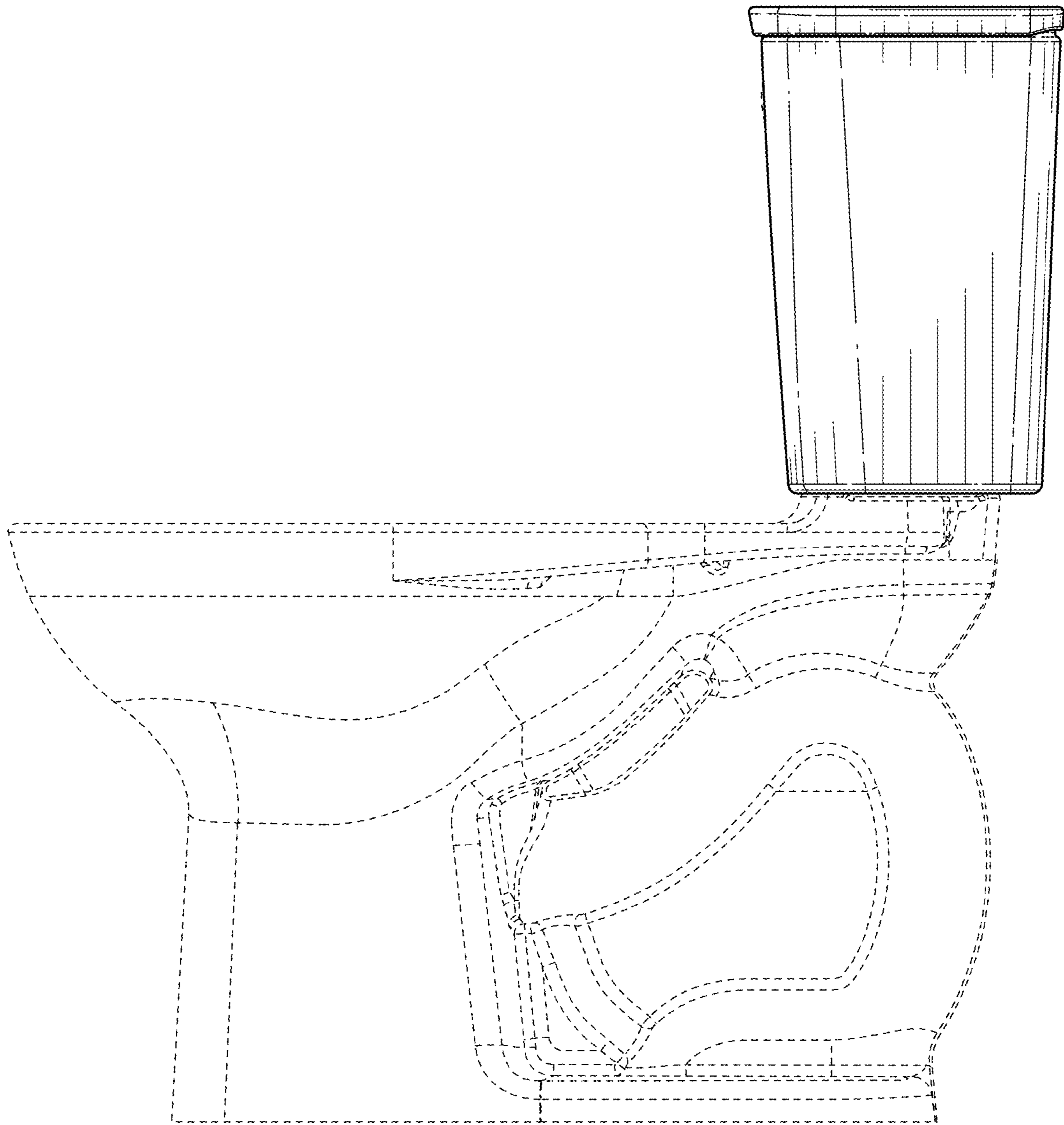


FIG. 5

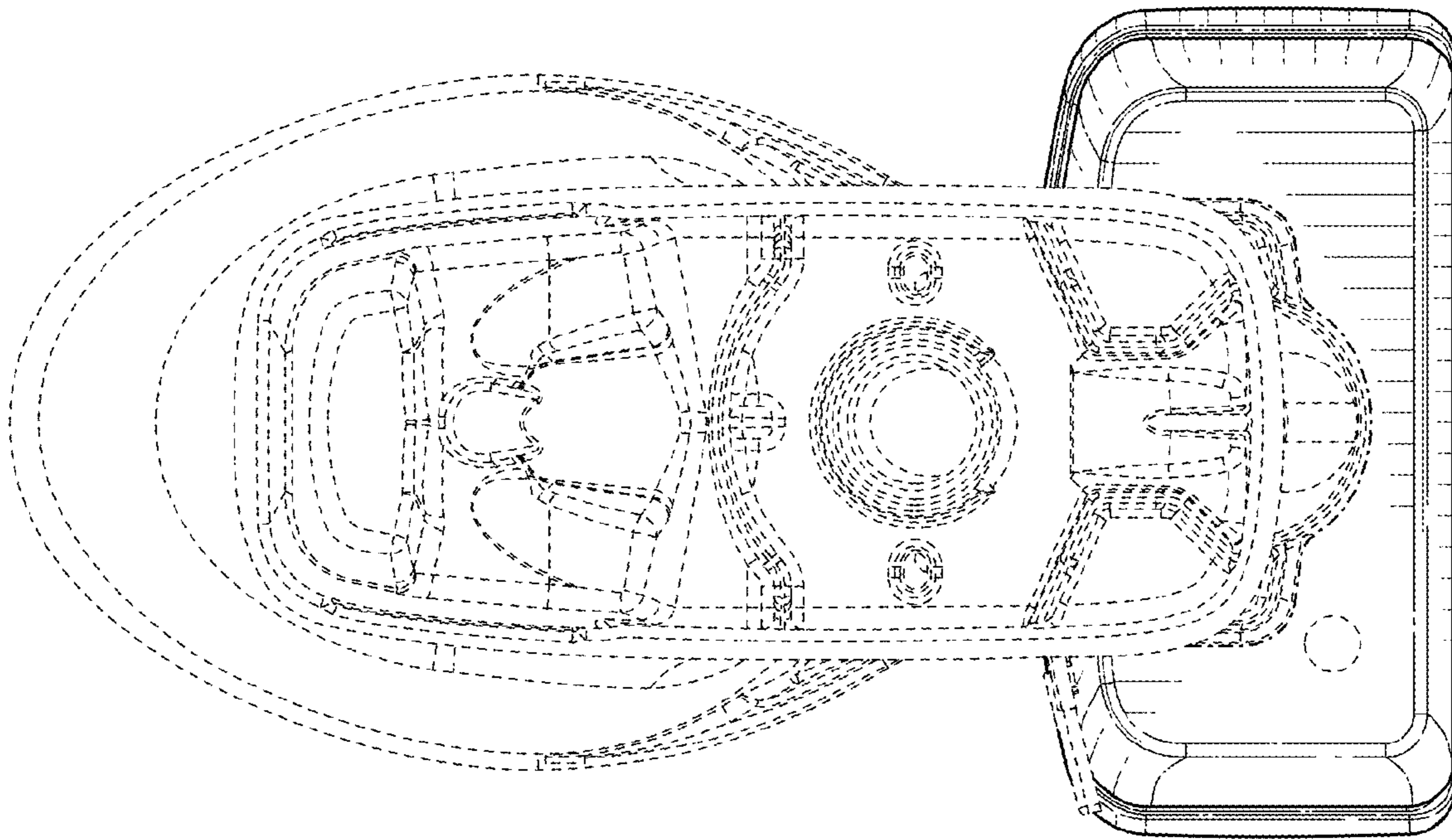


FIG. 7

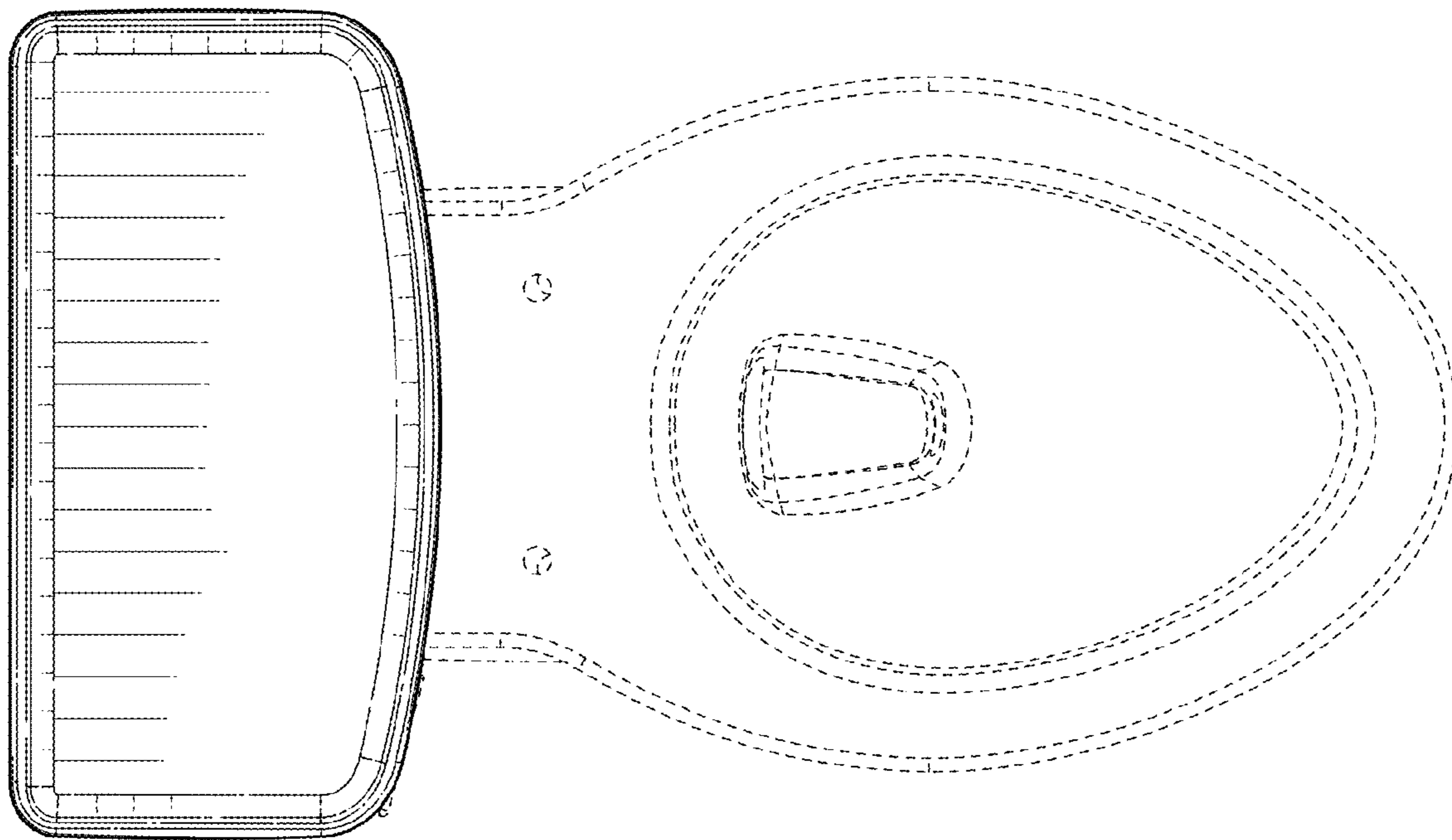


FIG. 6

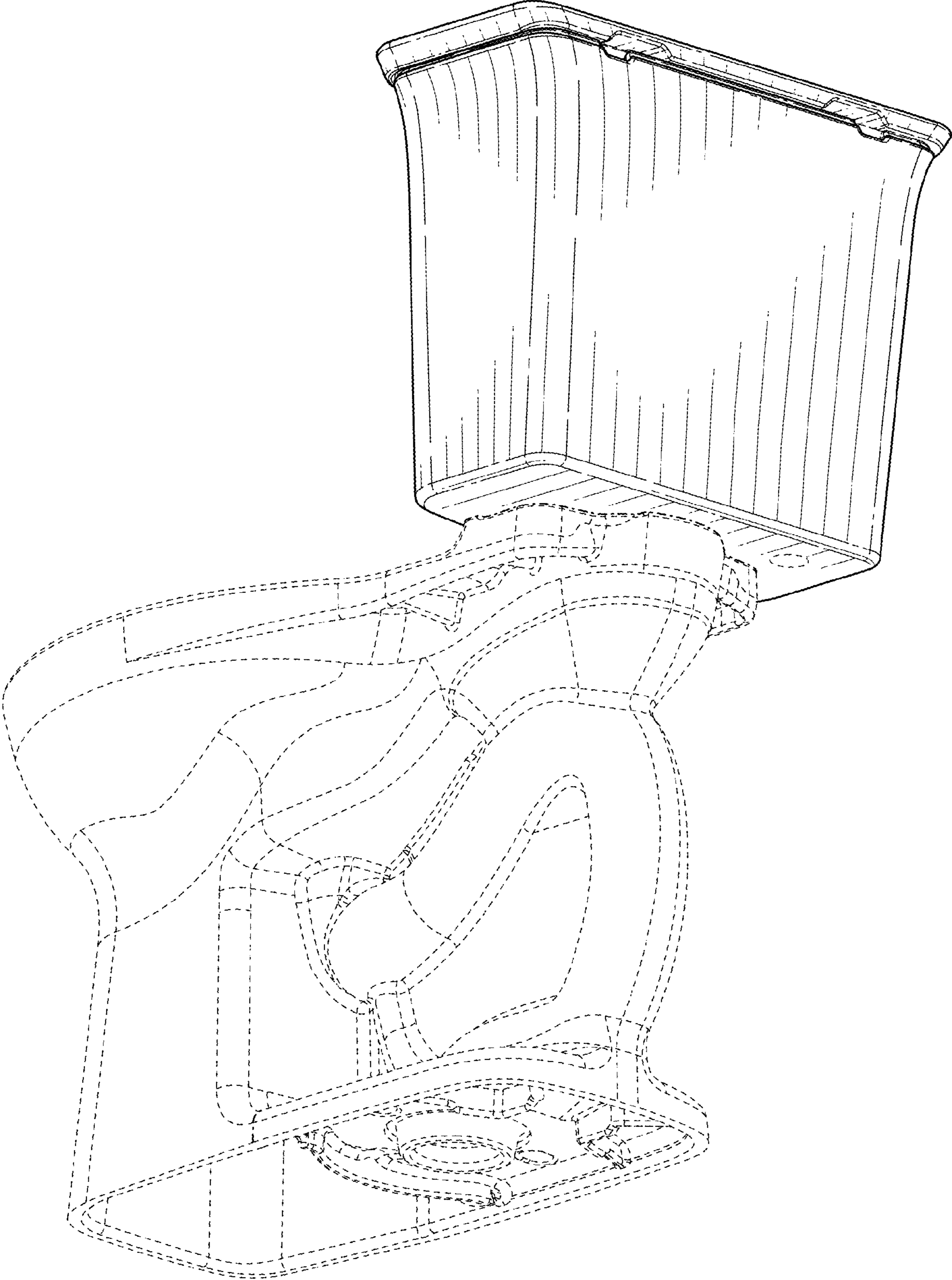


FIG. 8