



US00D950026S

(12) **United States Design Patent** (10) **Patent No.:** **US D950,026 S**
Ravassa et al. (45) **Date of Patent:** **** Apr. 26, 2022**

(54) **SINK CONSOLE**

D777,304 S * 1/2017 Esteve D23/286
D870,493 S * 12/2019 Young D6/663
D914,167 S * 3/2021 Parisio D23/286

(71) Applicant: **AS America, Inc.**, Piscataway, NJ (US)

* cited by examiner

(72) Inventors: **Gabriela Ravassa**, Los Angeles, CA (US); **Christophe Bucher**, Hillsborough, NJ (US); **Jean-Jacques L’Henaff**, New Canaan, CT (US)

Primary Examiner — Robert A Delehanty
(74) *Attorney, Agent, or Firm* — Tyler A. Stevenson; Anna-lisa L. Gallo

(73) Assignee: **AS America, Inc.**, Piscataway, NJ (US)

(**) Term: **15 Years**

(57) **CLAIM**

(21) Appl. No.: **29/812,007**

We claim the ornamental design for a sink console, as shown and described.

(22) Filed: **Oct. 19, 2021**

Related U.S. Application Data

DESCRIPTION

(63) Continuation of application No. 29/719,835, filed on Jan. 8, 2020, now Pat. No. Des. 936,805.

(51) **LOC (13) Cl.** **23-02**

(52) **U.S. Cl.**
USPC **D23/286**

(58) **Field of Classification Search**
USPC D23/271, 284, 285, 286, 293.1, 308;
D24/234; D6/663–664, 673, 675
See application file for complete search history.

FIG. 1 is a front, top, left side perspective view of a sink console showing our new design;
FIG. 2 is a front view thereof;
FIG. 3 is a rear side view thereof;
FIG. 4 is a left side view thereof;
FIG. 5 is a right side view thereof;
FIG. 6 is a top view thereof; and,
FIG. 7 is a bottom view thereof.

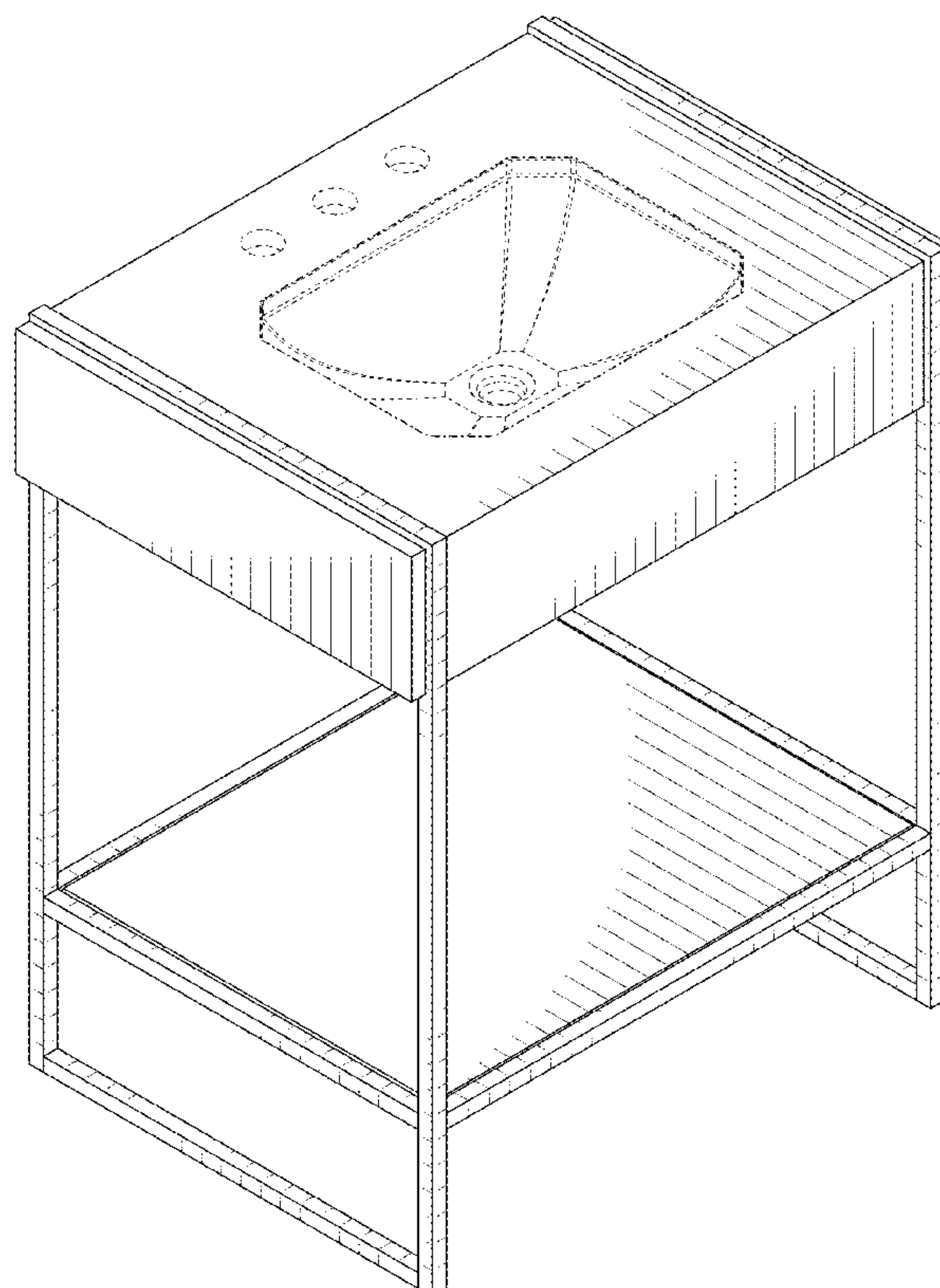
The broken lines immediately adjacent to the shaded areas represent the bounds of the claim, while other broken lines depict portions of the sink console. The broken lines form no part of the claimed design.

(56) **References Cited**

U.S. PATENT DOCUMENTS

1 Claim, 6 Drawing Sheets

D622,082 S * 8/2010 Booth D6/675
D771,415 S * 11/2016 Chen D6/657



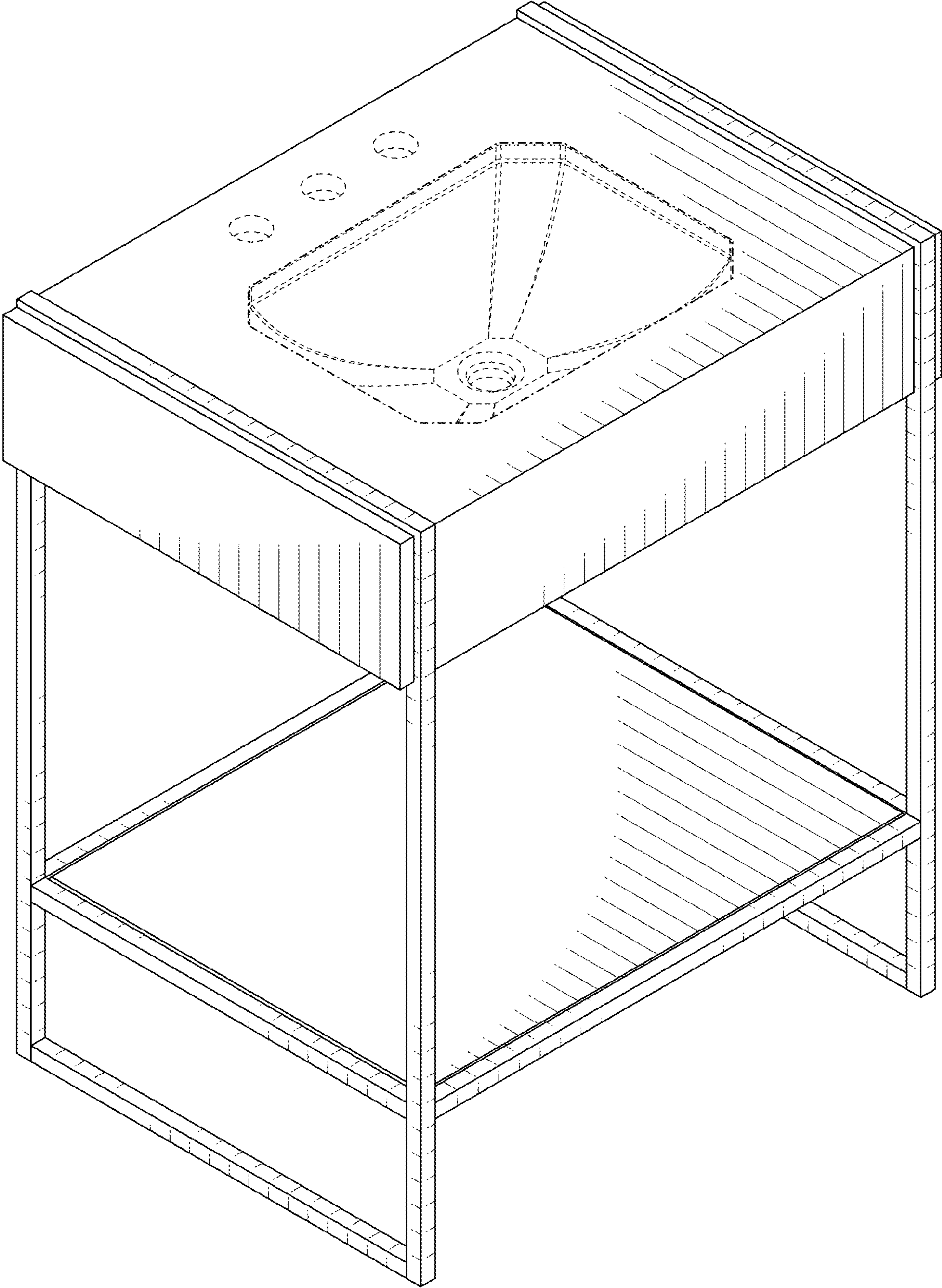


FIG. 1

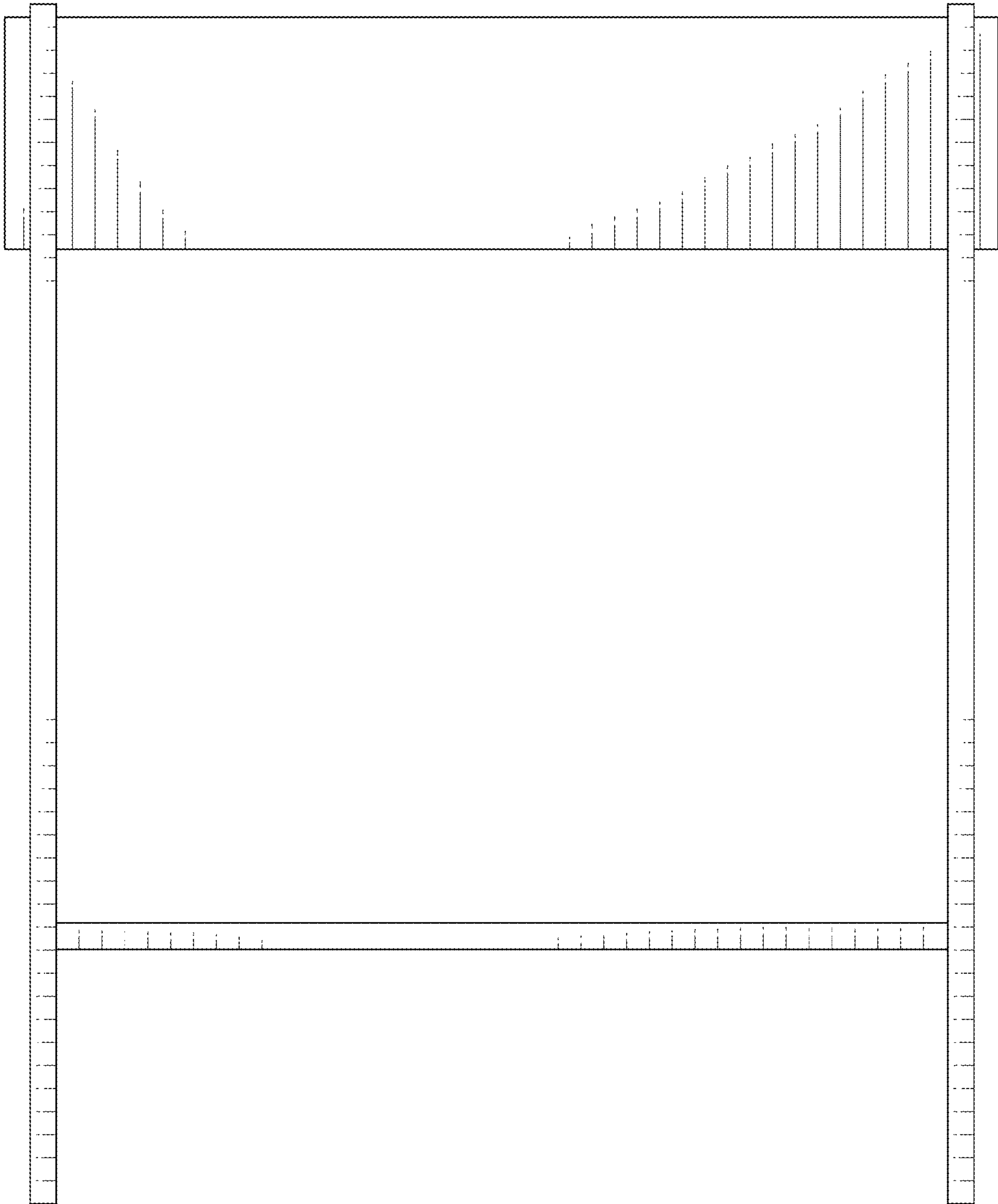


FIG. 2

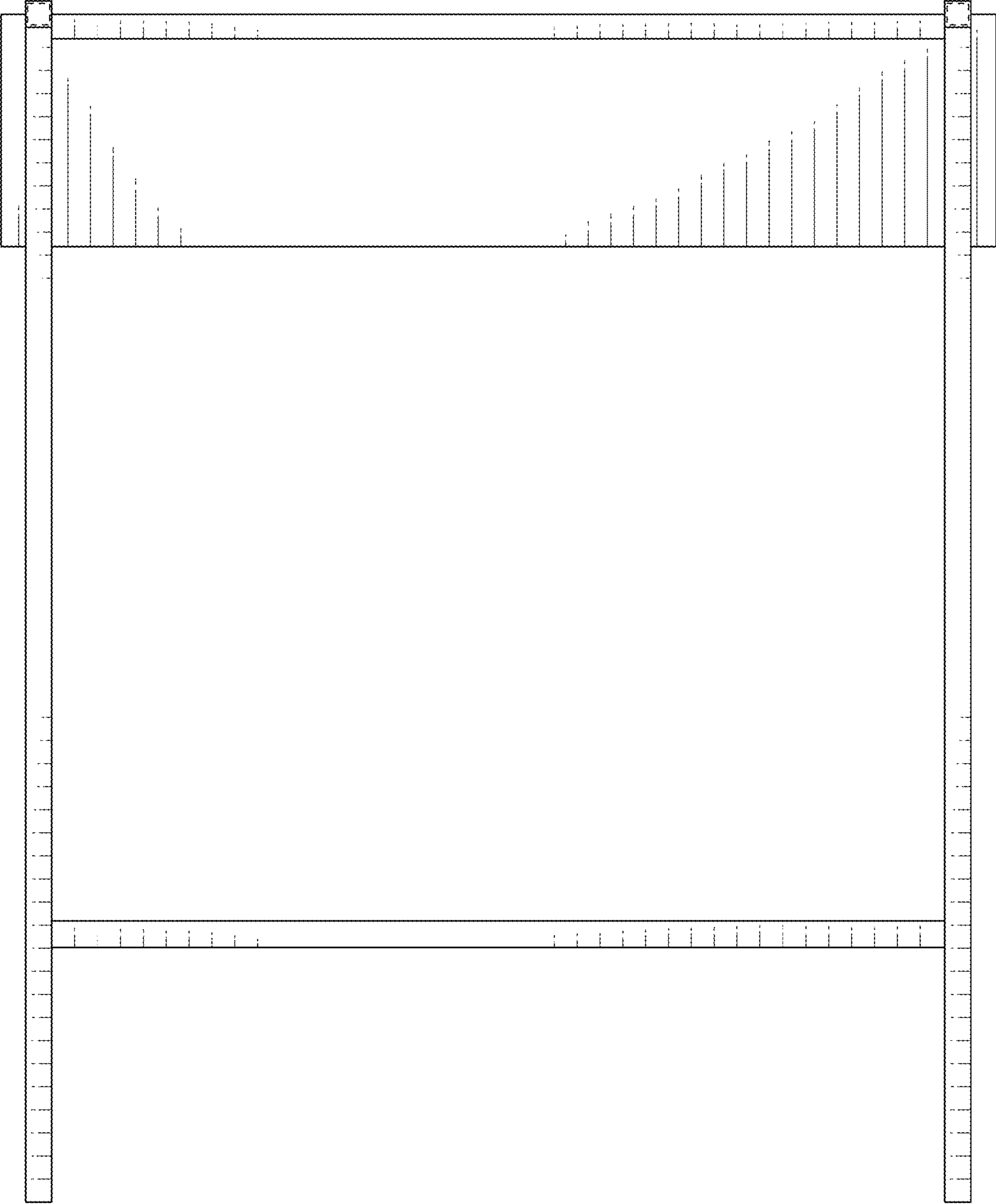


FIG. 3

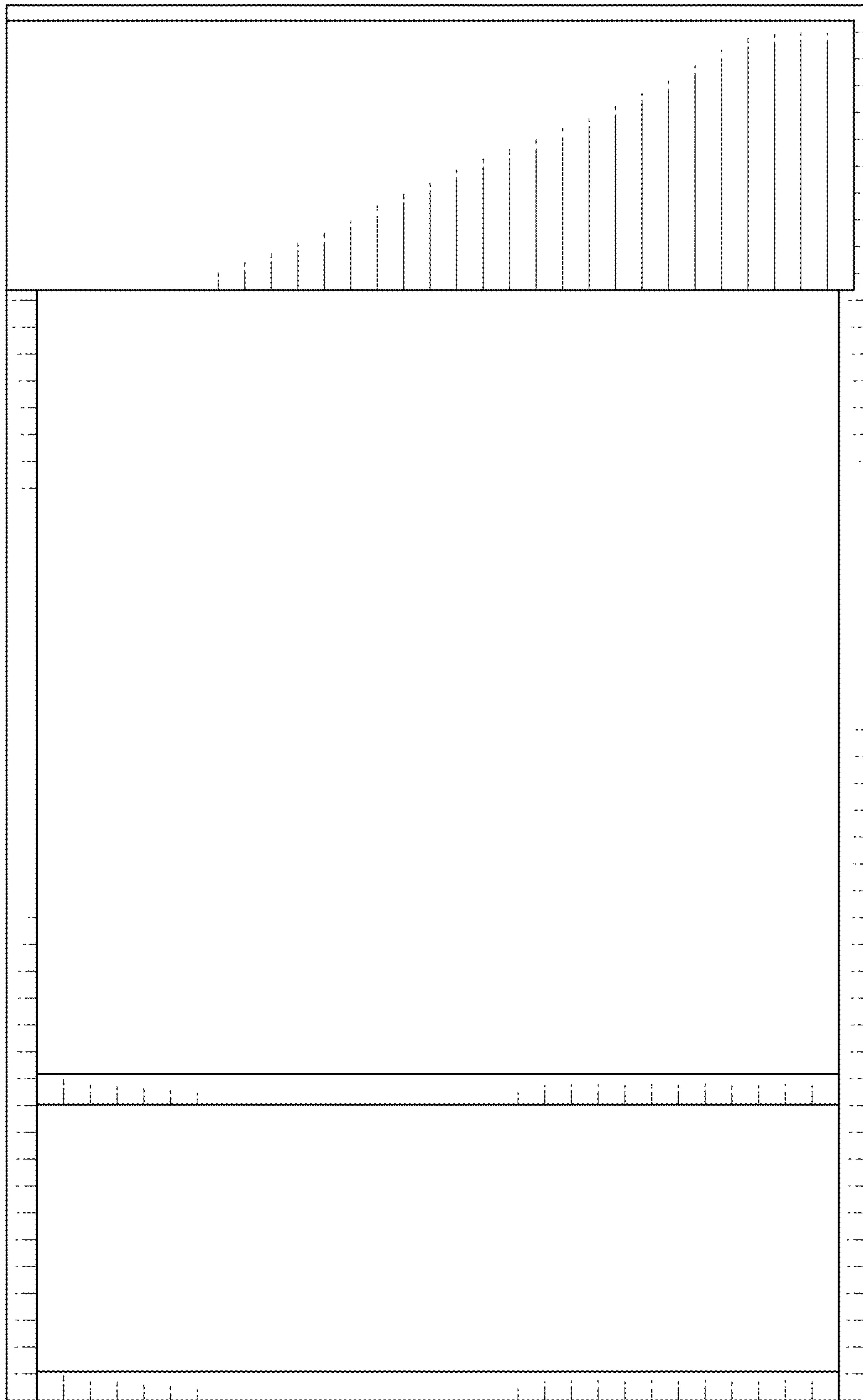


FIG. 4

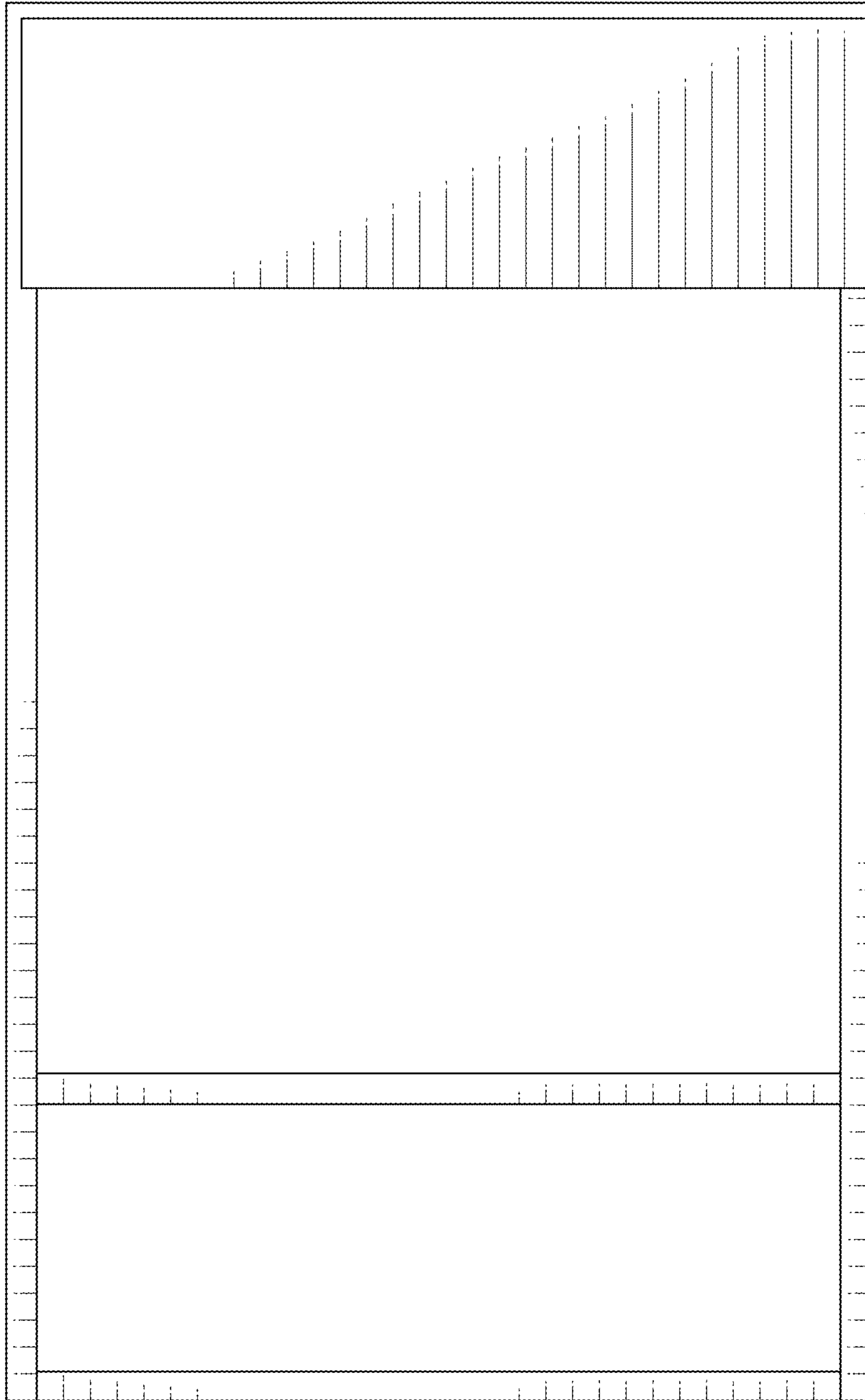


FIG. 5

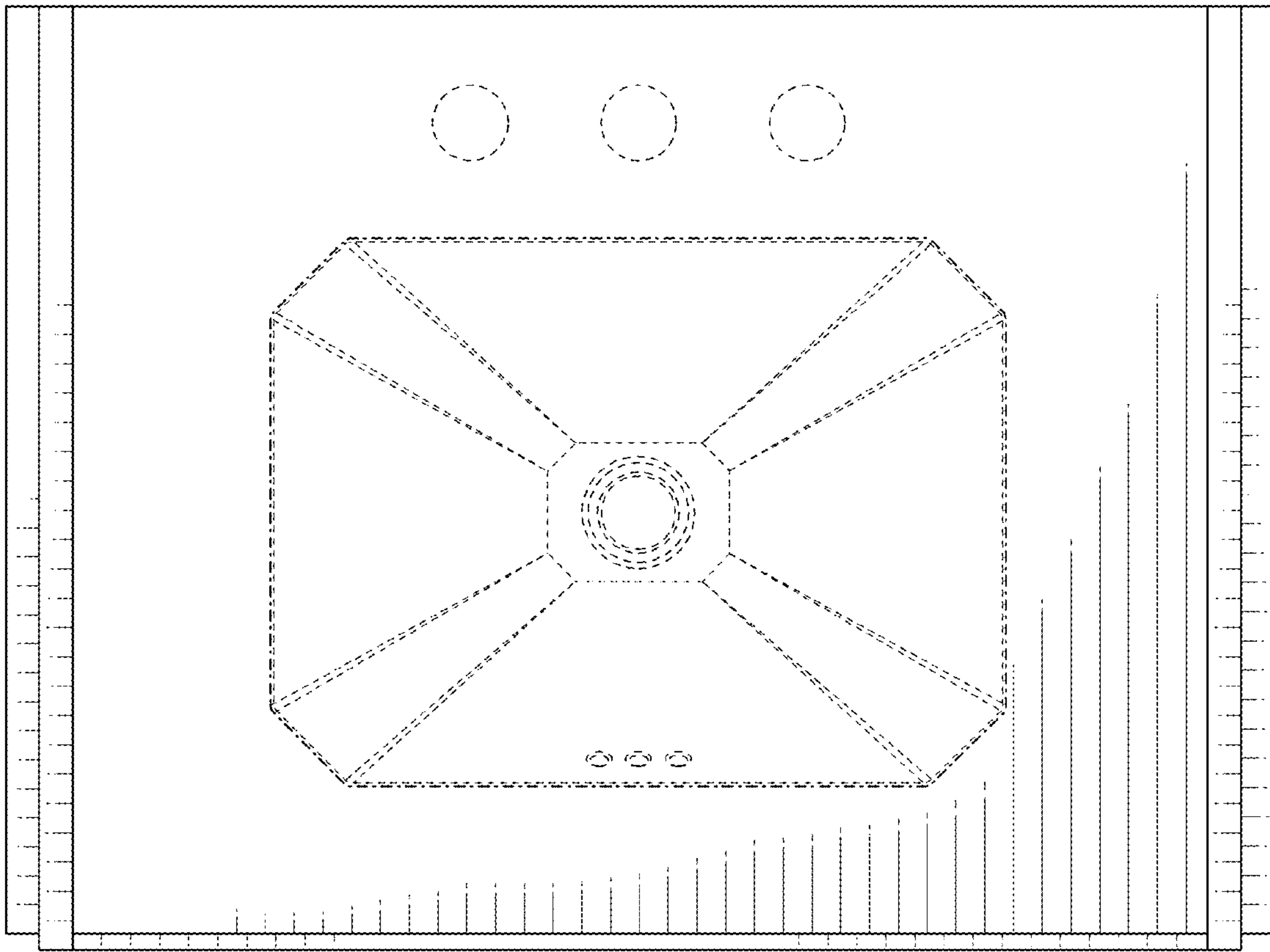


FIG. 6

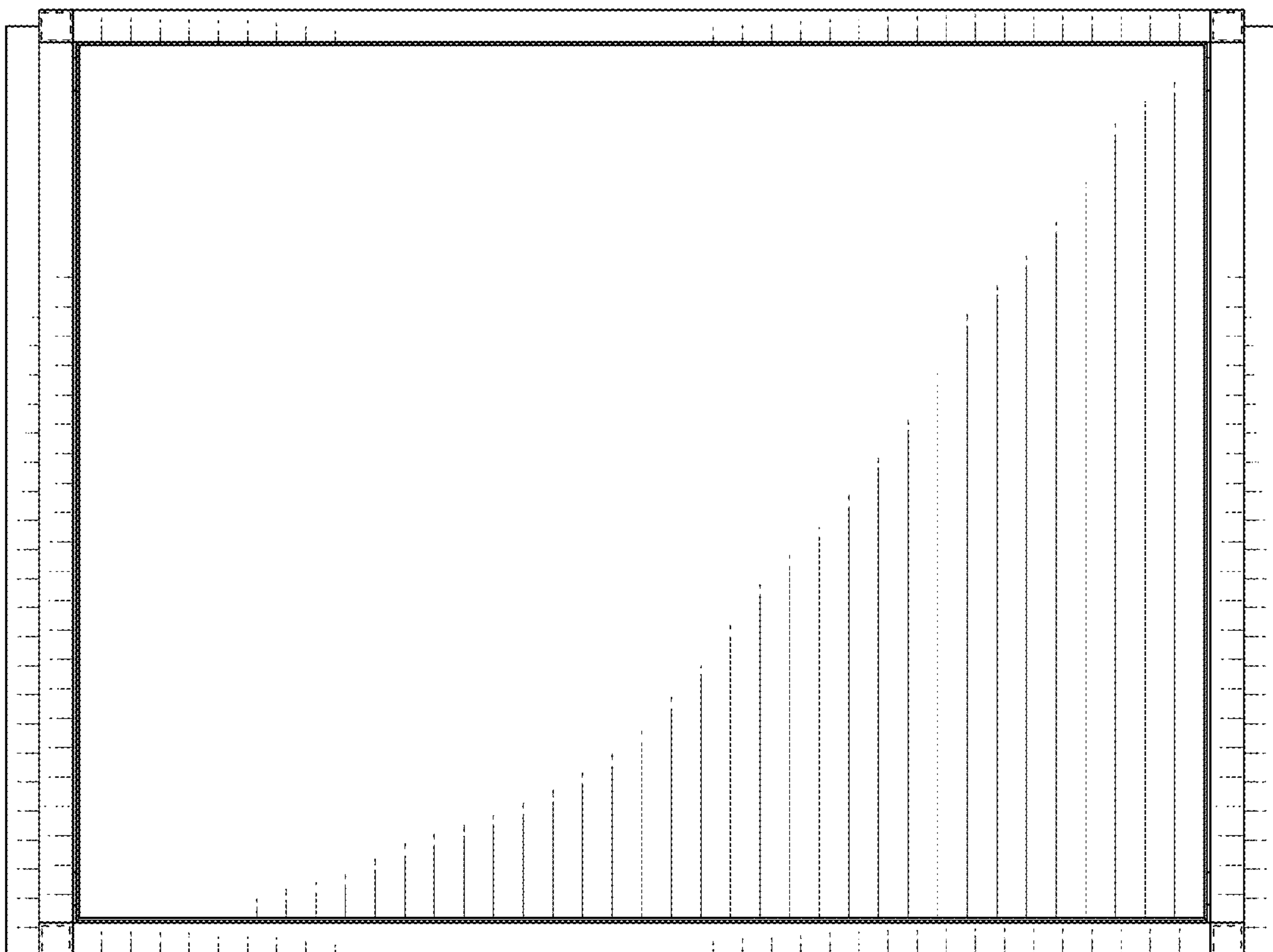


FIG. 7