



US00D950025S

(12) **United States Design Patent**
Kang et al.

(10) **Patent No.:** **US D950,025 S**

(45) **Date of Patent:** **** Apr. 26, 2022**

(54) **SINK AND VANITY**

D713,513 S * 9/2014 Chen D23/284
D912,229 S * 3/2021 Seum D23/293.1

(71) Applicant: **AS America, Inc.**, Piscataway, NJ (US)

* cited by examiner

(72) Inventors: **Kye Kang**, New York, NY (US);
Christophe Bucher, Hillsborough, NJ (US)

Primary Examiner — Robert A Delehanty

(74) *Attorney, Agent, or Firm* — Tyler A. Stevenson;
Anna-lisa L. Gallo

(73) Assignee: **AS America, Inc.**, Piscataway, NJ (US)

(**) Term: **15 Years**

(57) **CLAIM**

(21) Appl. No.: **29/815,858**

We claim the ornamental design for a sink and vanity, shown and described.

(22) Filed: **Nov. 17, 2021**

Related U.S. Application Data

DESCRIPTION

(63) Continuation of application No. 29/711,186, filed on Oct. 29, 2019, now Pat. No. Des. 939,677.

(51) **LOC (13) Cl.** **23-02**

(52) **U.S. Cl.**
USPC **D23/284**

(58) **Field of Classification Search**
USPC D23/271, 284, 285, 286, 293.1, 308;
D24/234; D6/663-664, 673, 675
See application file for complete search history.

FIG. 1 is a front, top, right side perspective view of a sink and vanity showing our new design;
FIG. 2 is a front view thereof;
FIG. 3 is a rear view thereof;
FIG. 4 is a left side view thereof;
FIG. 5 is a right side view thereof;
FIG. 6 is a top view thereof; and,
FIG. 7 is a bottom view thereof.

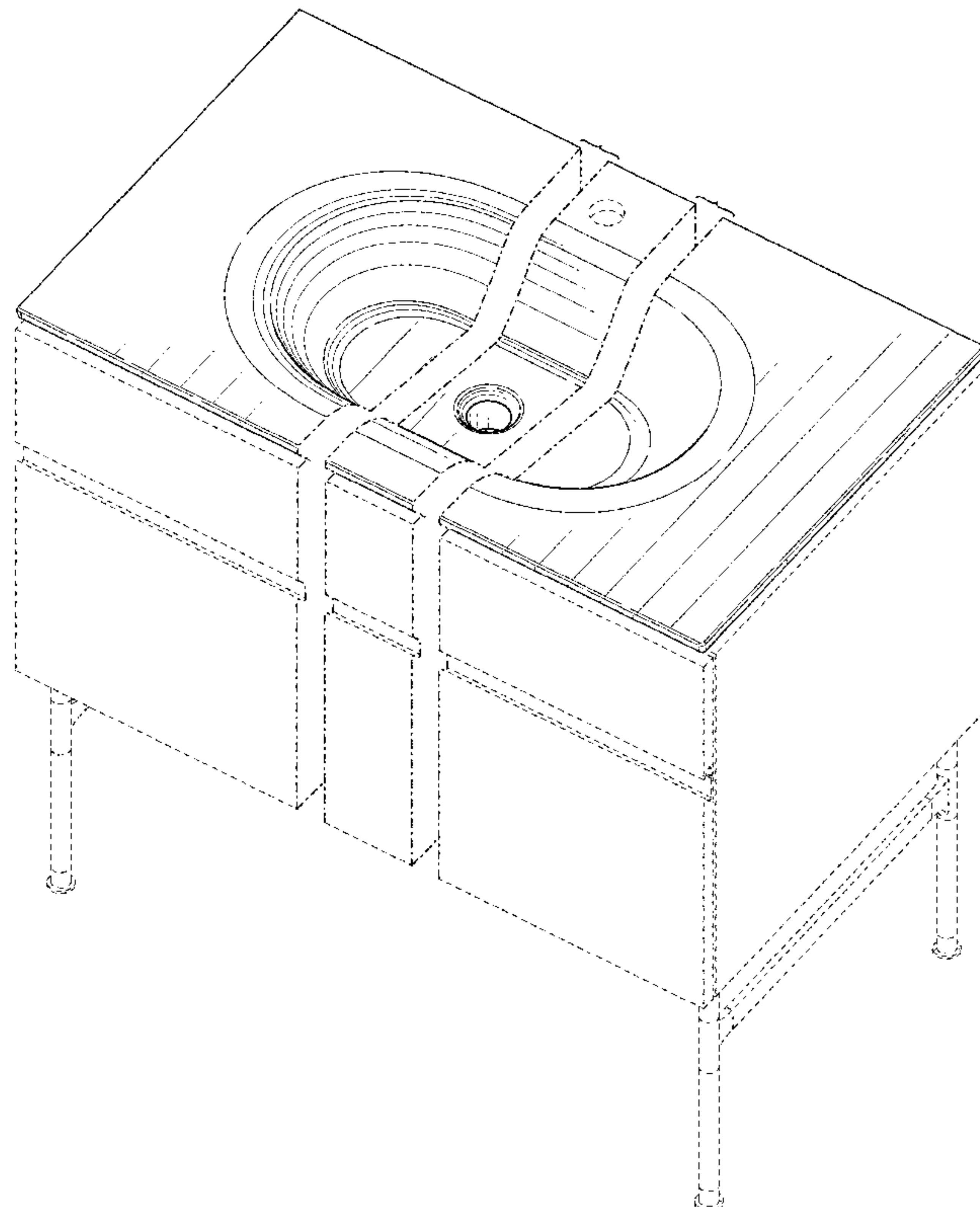
The broken lines associated with brackets indicate break lines and the appearance of any portion of the sink and vanity between the break lines forms no part of the claimed design; the other broken lines depict portions of the sink and vanity that form no part of the claimed design.

(56) **References Cited**

U.S. PATENT DOCUMENTS

D624,992 S * 10/2010 Maitre D23/284
D645,125 S * 9/2011 Palomba D23/284

1 Claim, 6 Drawing Sheets



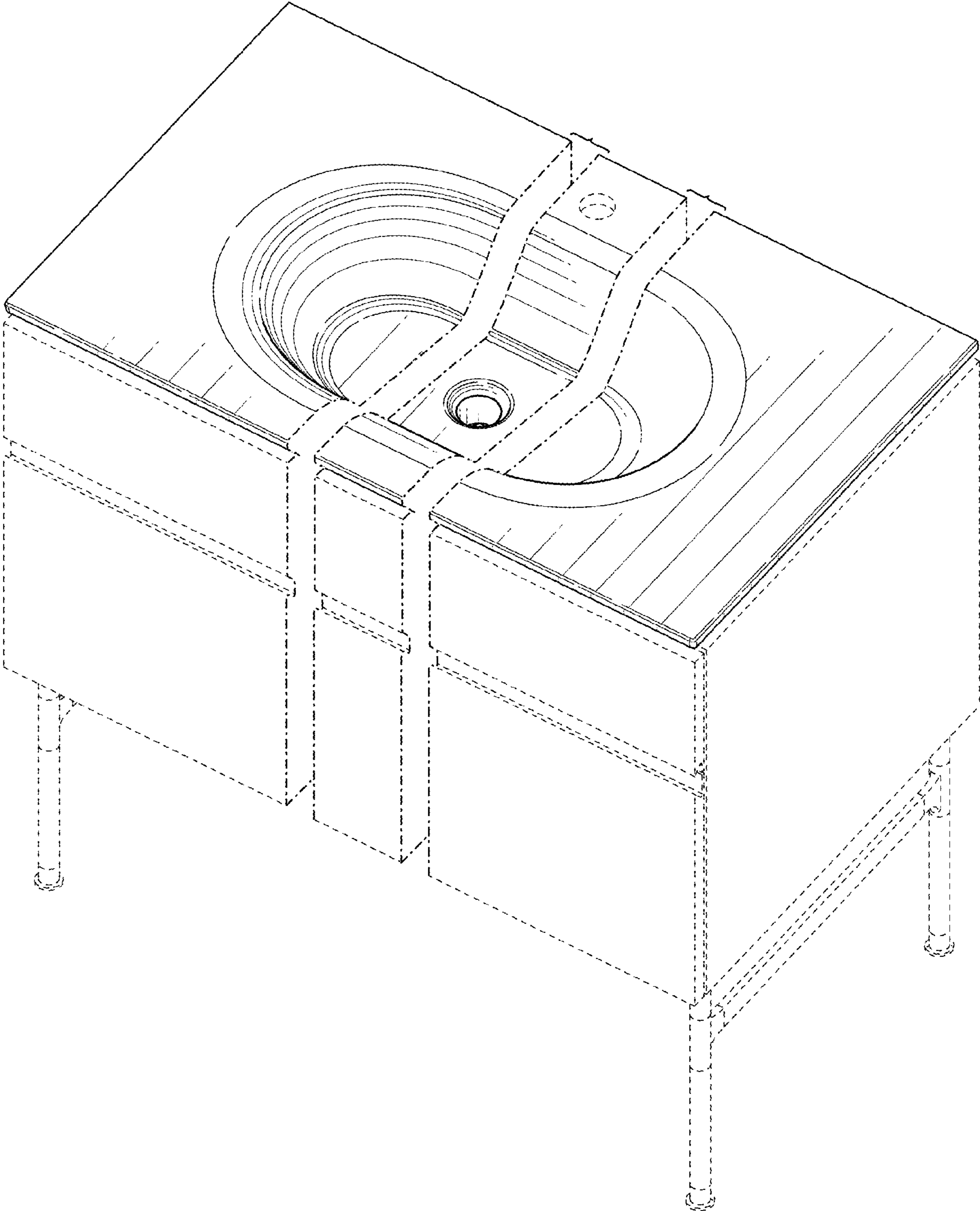


FIG. 1

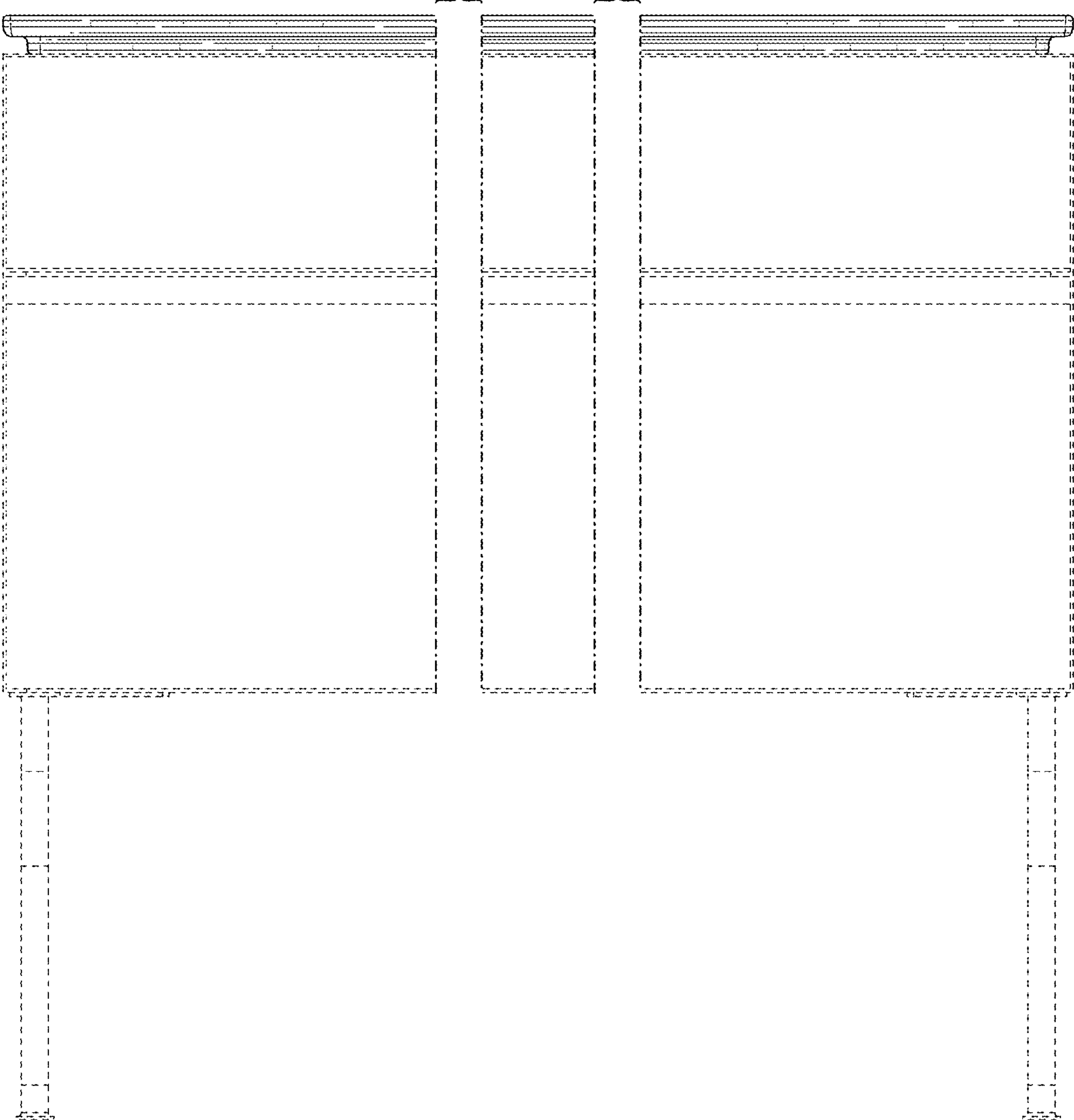


FIG. 2

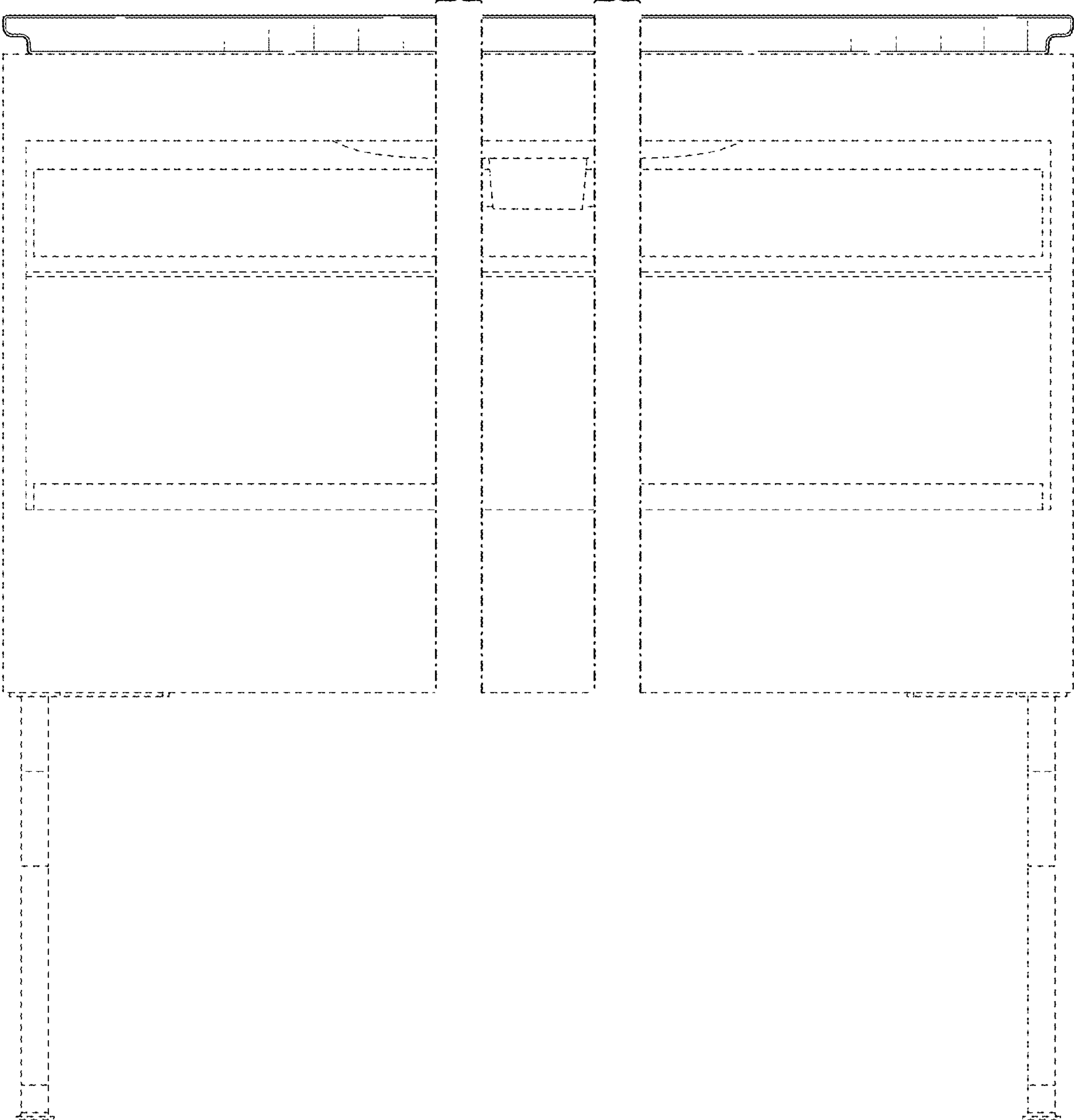


FIG. 3

4/6

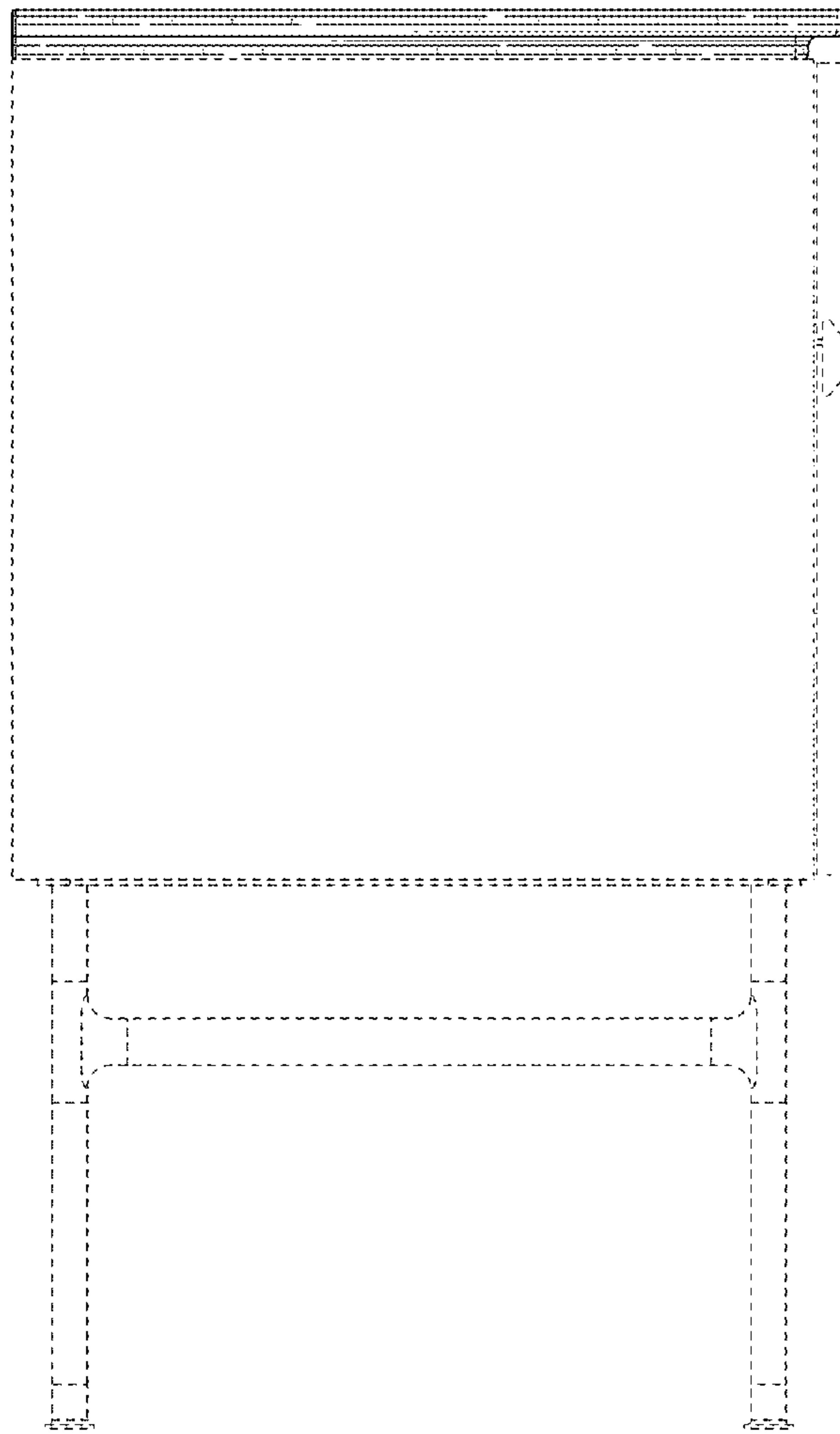


FIG. 4

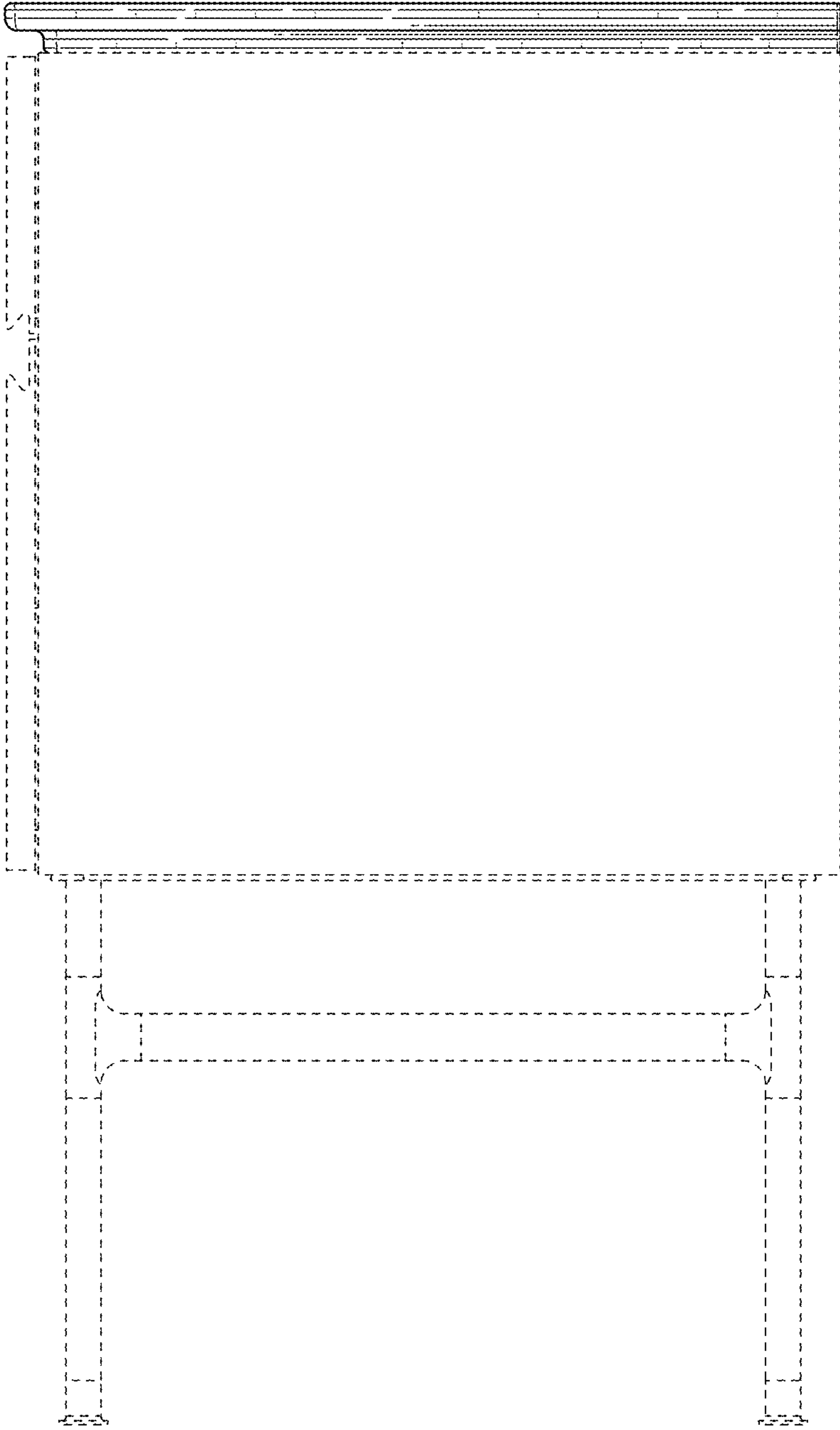


FIG. 5

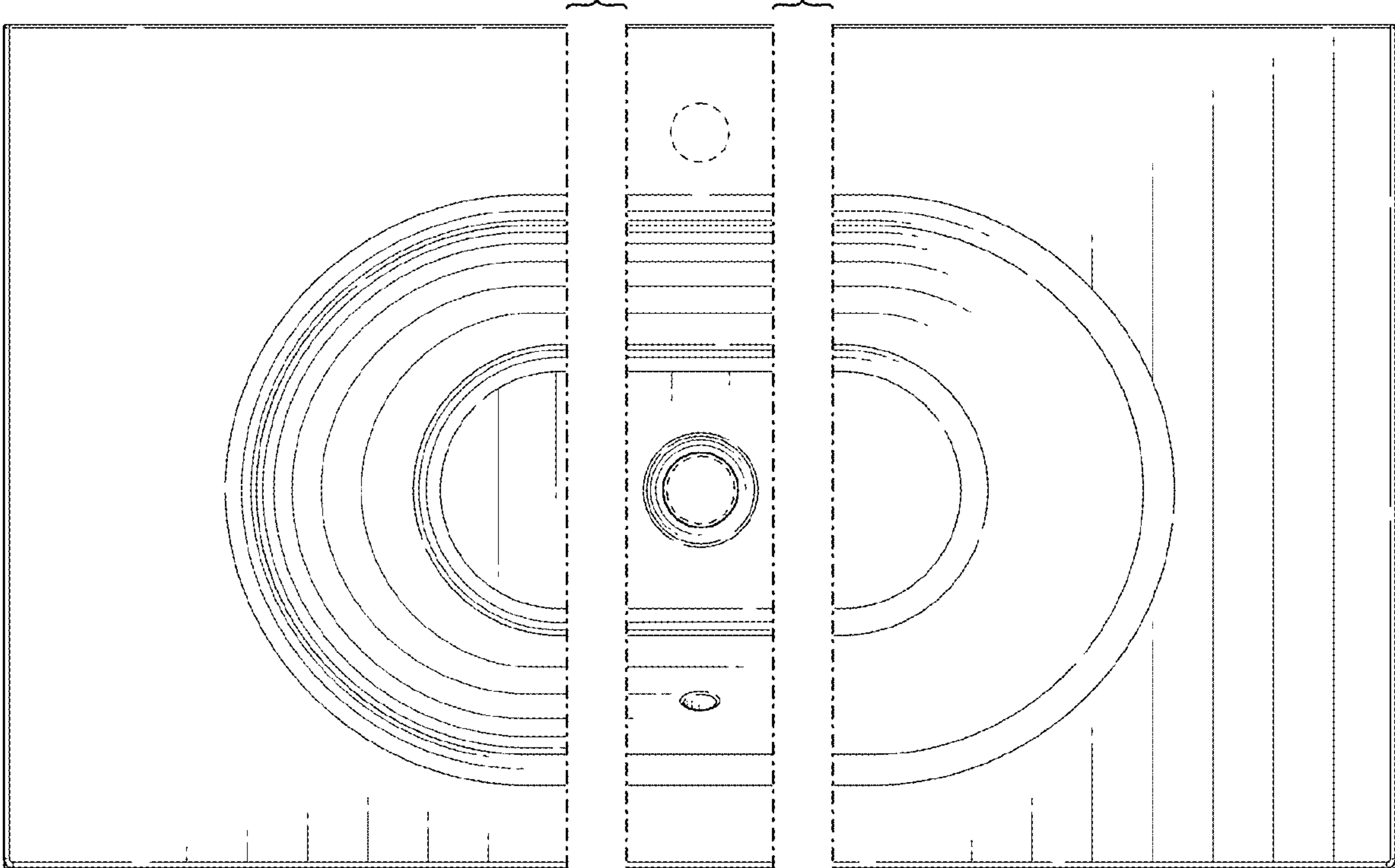


FIG. 6

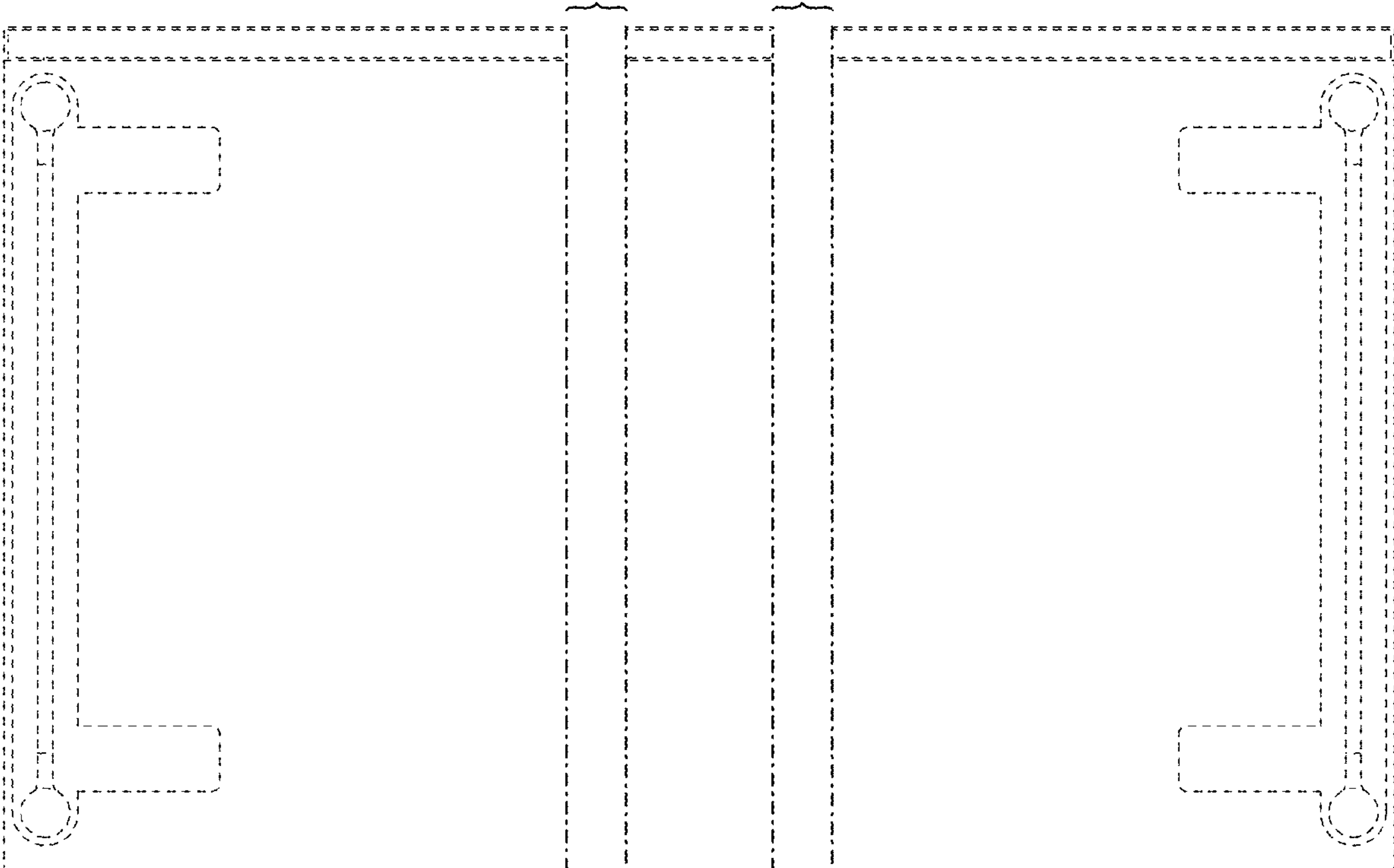


FIG. 7