



US00D950024S

(12) **United States Design Patent**
Kang et al.

(10) **Patent No.: US D950,024 S**
(45) **Date of Patent: ** Apr. 26, 2022**

- (54) **SINK AND VANITY**
- (71) Applicant: **AS America, Inc.**, Piscataway, NJ (US)
- (72) Inventors: **Kye Kang**, New York, NY (US);
Christophe Bucher, Hillsborough, NJ (US)
- (73) Assignee: **AS America, Inc.**, Piscataway, NJ (US)
- (**) Term: **15 Years**
- (21) Appl. No.: **29/815,857**
- (22) Filed: **Nov. 17, 2021**

D912,228 S * 3/2021 Chong E03C 1/182
D23/286
D912,229 S * 3/2021 Seum D23/293.1
2018/0259260 A1* 9/2018 Kim A47B 77/06

OTHER PUBLICATIONS

This application is a continuation of U.S. Appl. No. 29/711,183, filed Oct. 29, 2019, pending, the disclosure of which is hereby incorporated by reference.

* cited by examiner

Primary Examiner — Robert A Delehanty
(74) *Attorney, Agent, or Firm* — Tyler A. Stevenson;
Anna-lisa L. Gallo

Related U.S. Application Data

- (63) Continuation of application No. 29/711,183, filed on Oct. 29, 2019, now Pat. No. Des. 939,676.
- (51) **LOC (13) Cl.** **23-02**
- (52) **U.S. Cl.**
USPC **D23/284**
- (58) **Field of Classification Search**
USPC D23/271, 284, 285, 286, 293.1, 308;
D24/234; D6/663-664, 673, 675
See application file for complete search history.

(57) **CLAIM**

We claim the ornamental design for a sink and vanity, shown and described.

DESCRIPTION

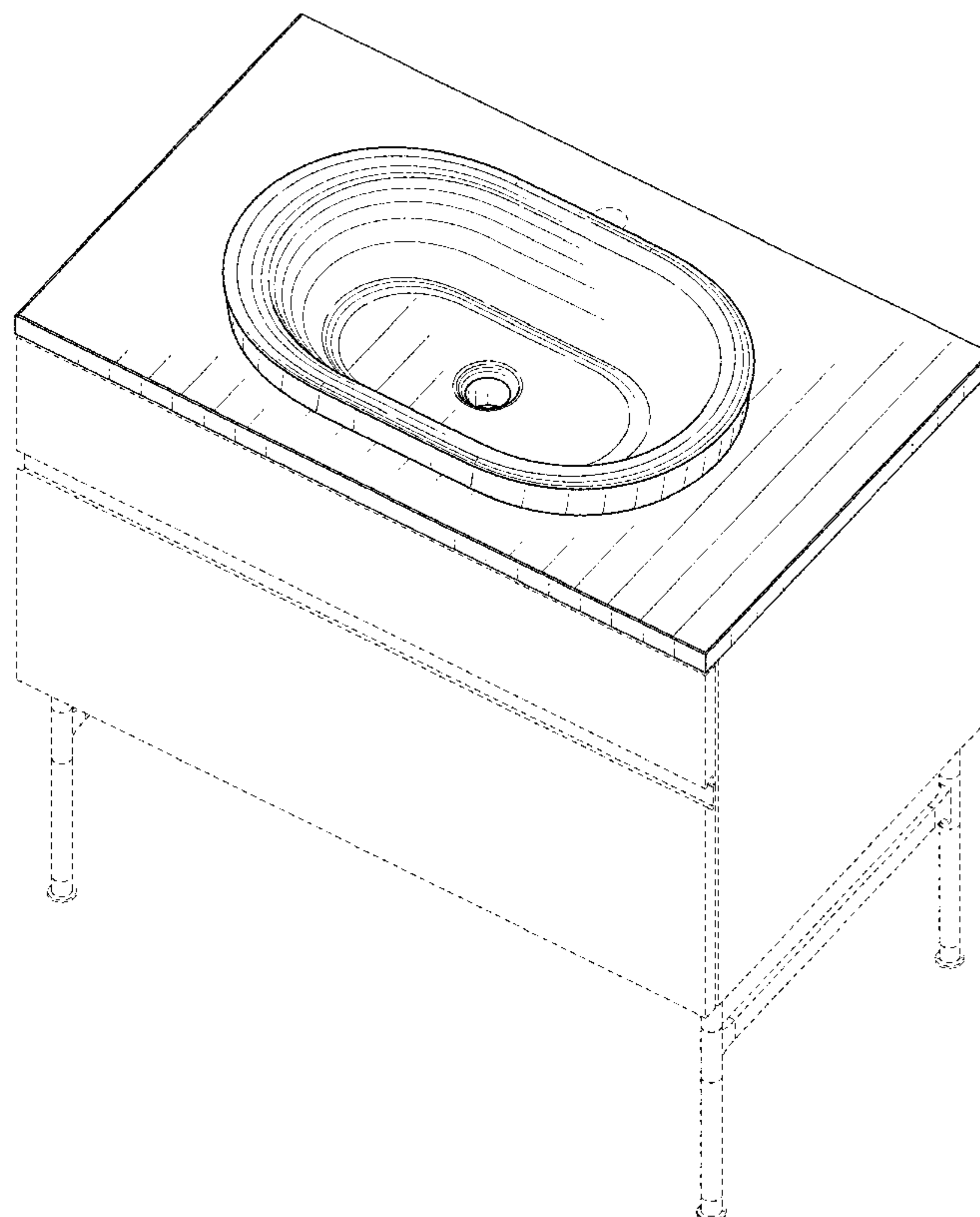
FIG. 1 is a front, top, right side perspective view of a sink and vanity showing our new design;
FIG. 2 is a front view thereof;
FIG. 3 is a rear view thereof;
FIG. 4 is a left side view thereof;
FIG. 5 is a right side view thereof;
FIG. 6 is a top view thereof; and,
FIG. 7 is a bottom view thereof.
The broken lines depict portions of the sink and vanity that form no part of the claimed design.

(56) **References Cited**

U.S. PATENT DOCUMENTS

D624,992 S * 10/2010 Maitre D23/284
D777,889 S * 1/2017 Danelon D23/286

1 Claim, 6 Drawing Sheets



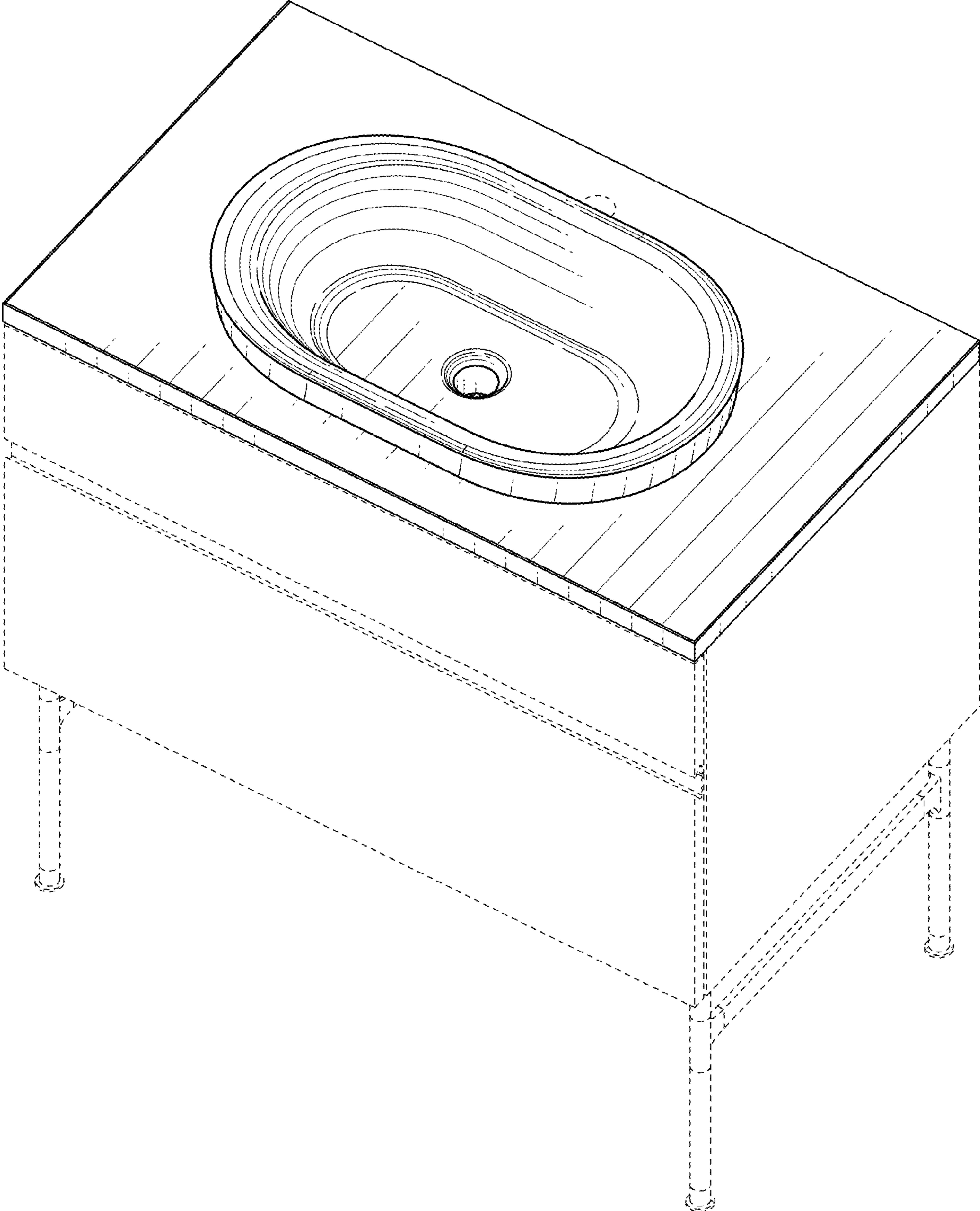


FIG. 1

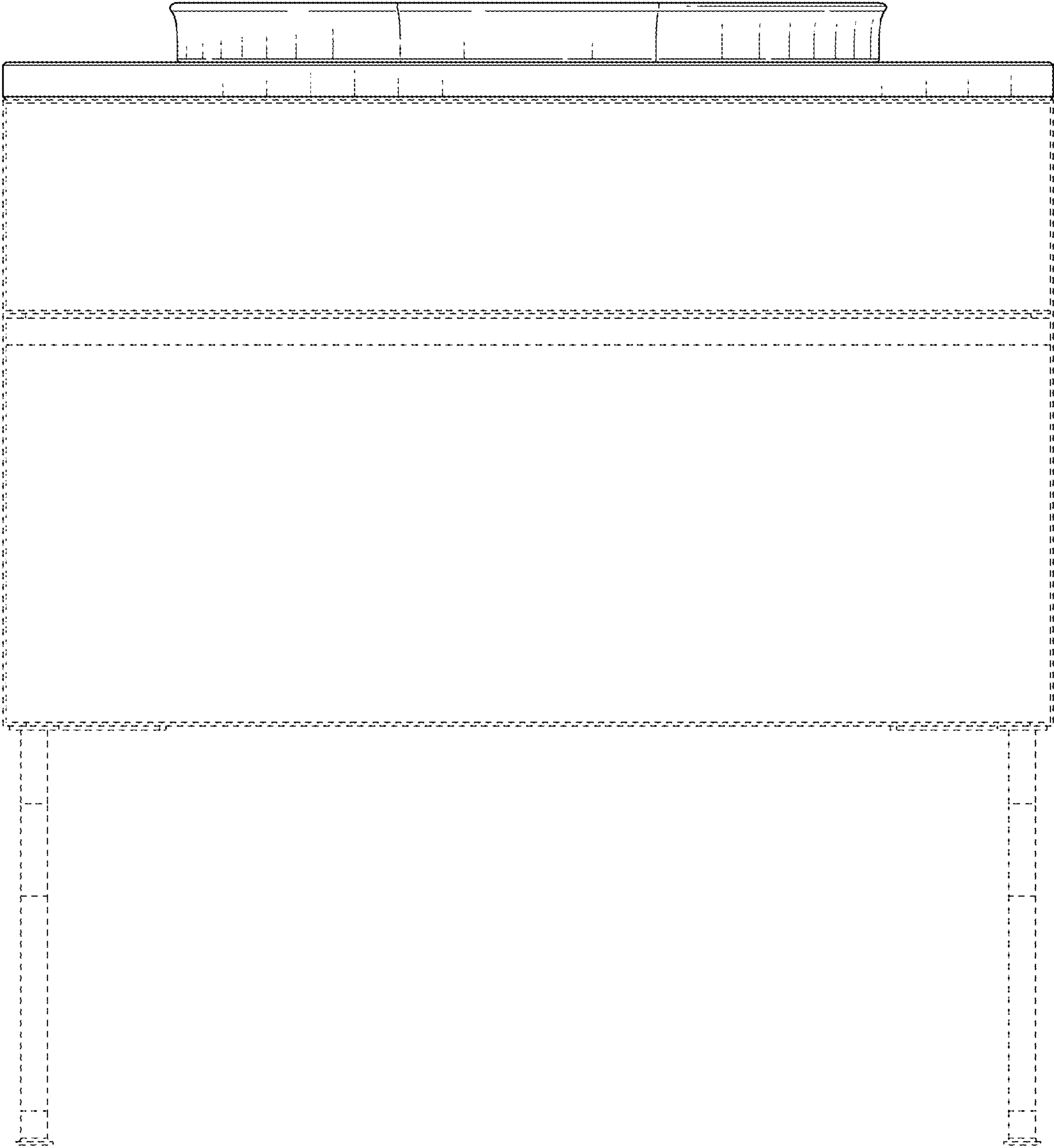


FIG. 2

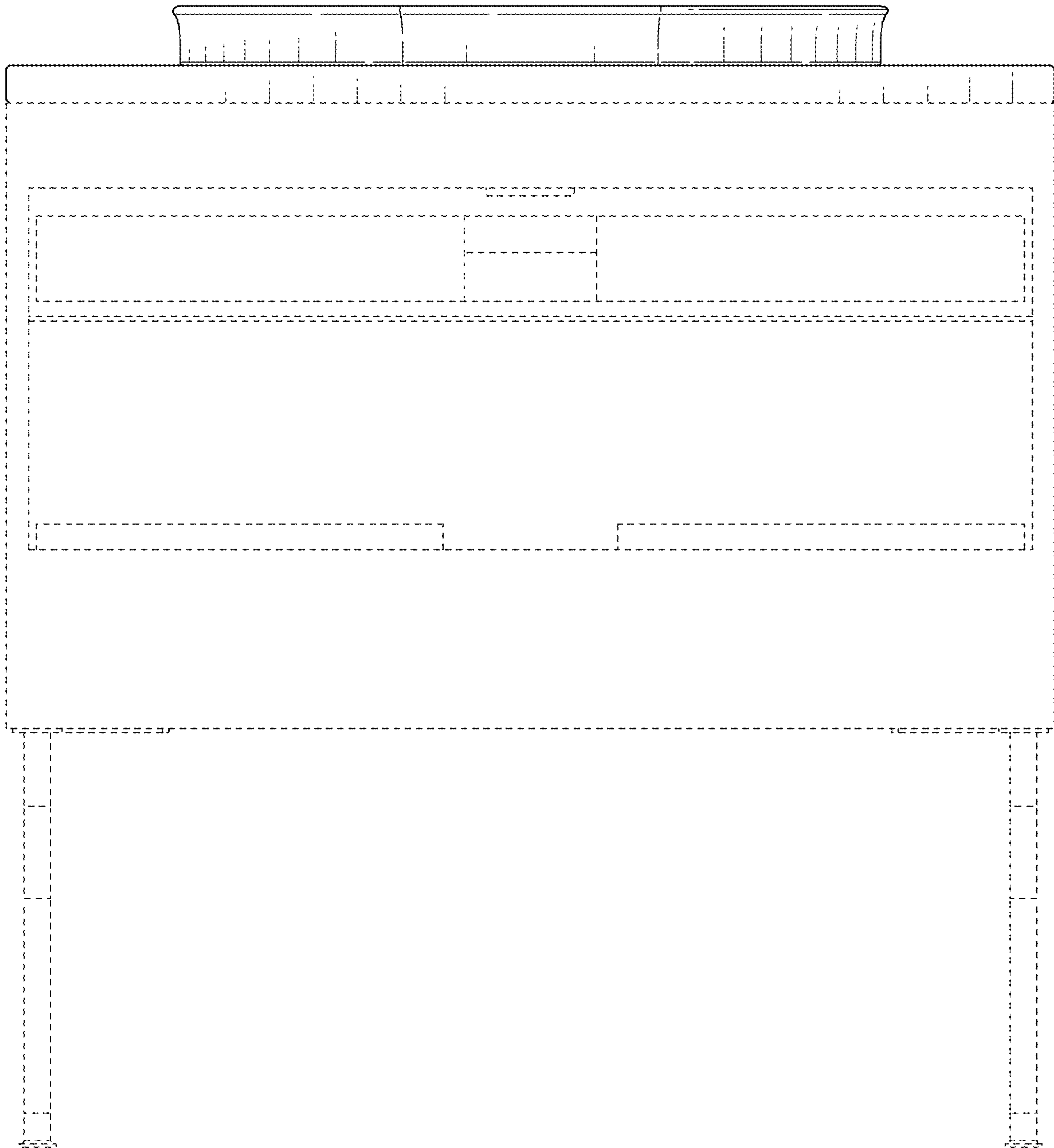


FIG. 3

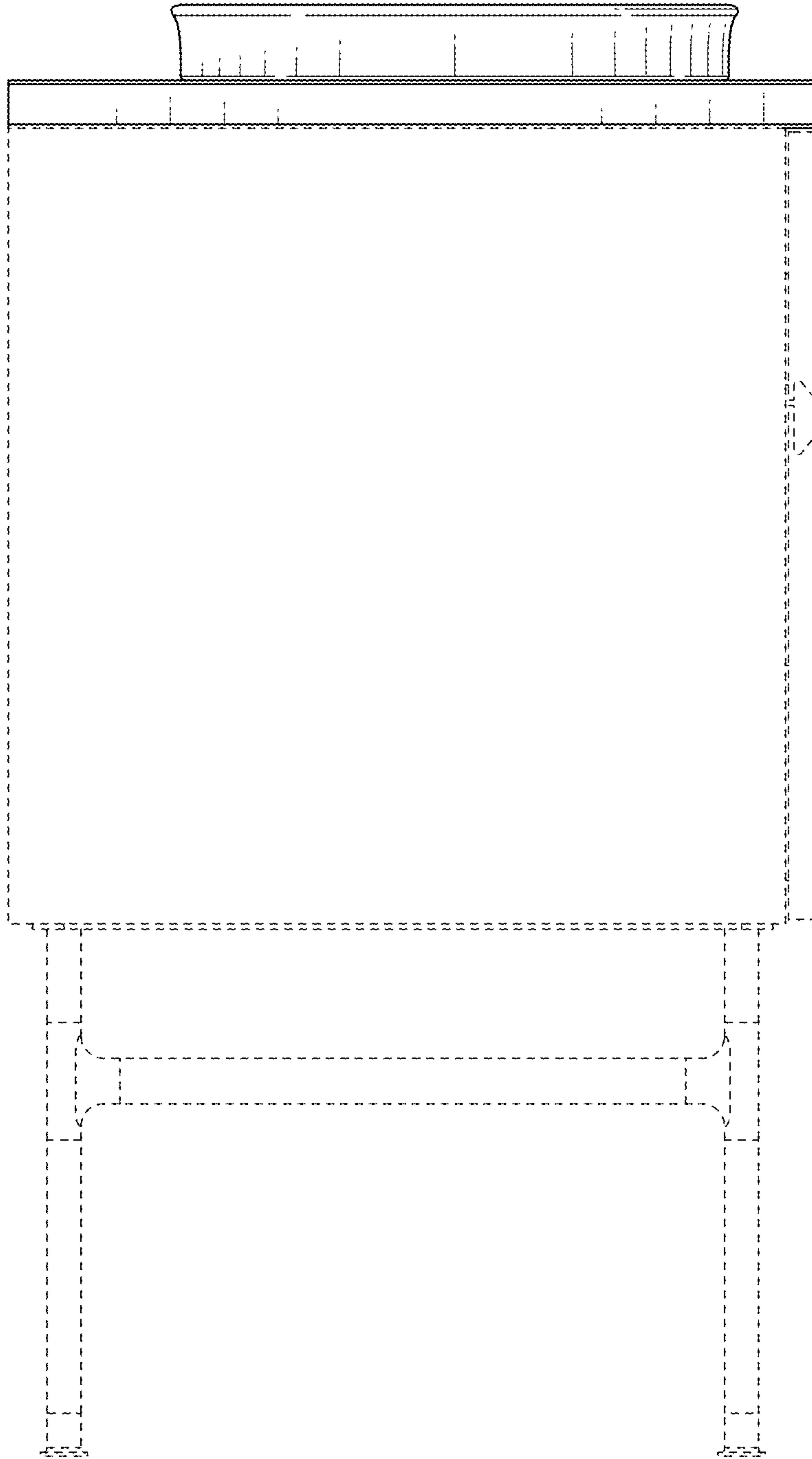


FIG. 4

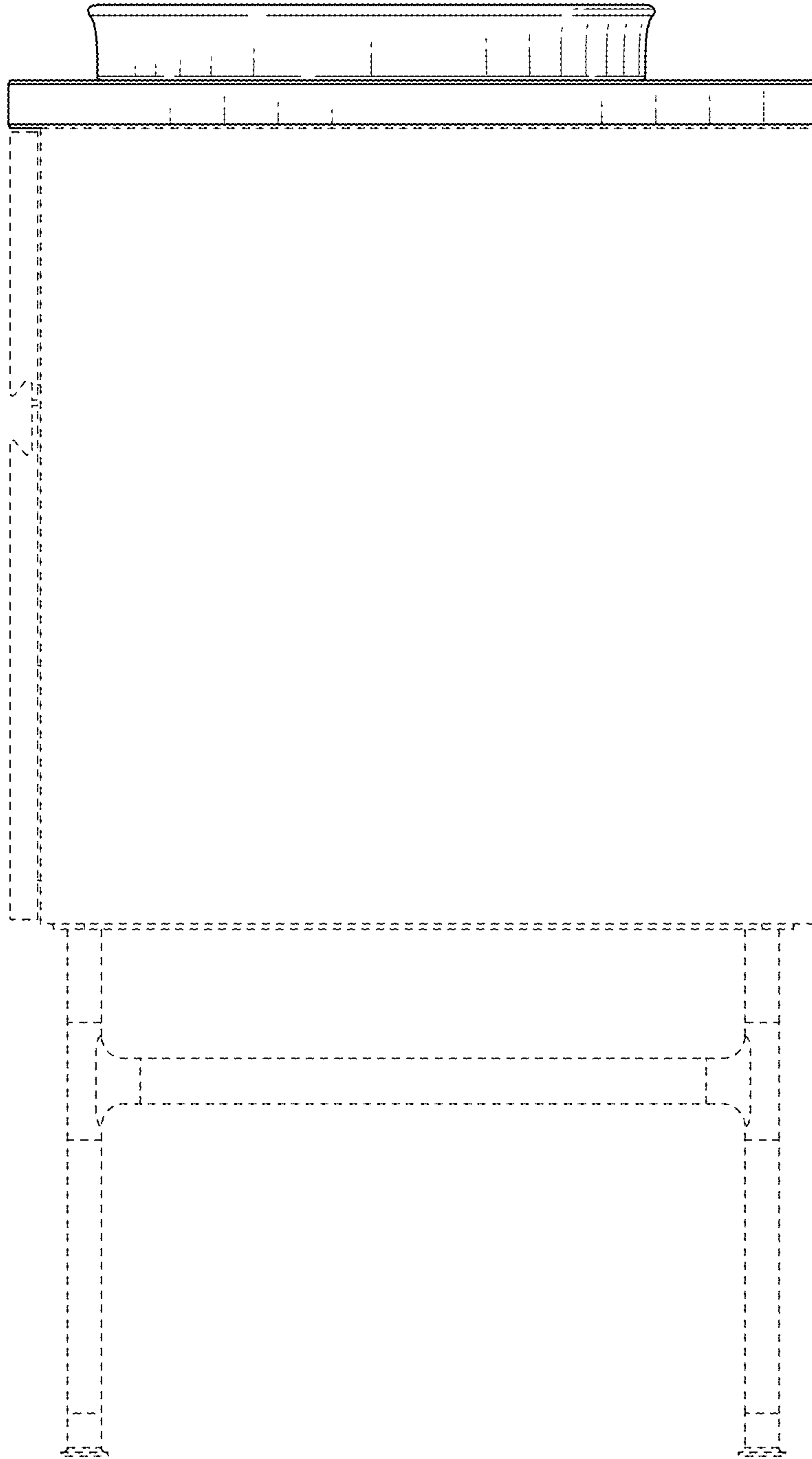


FIG. 5

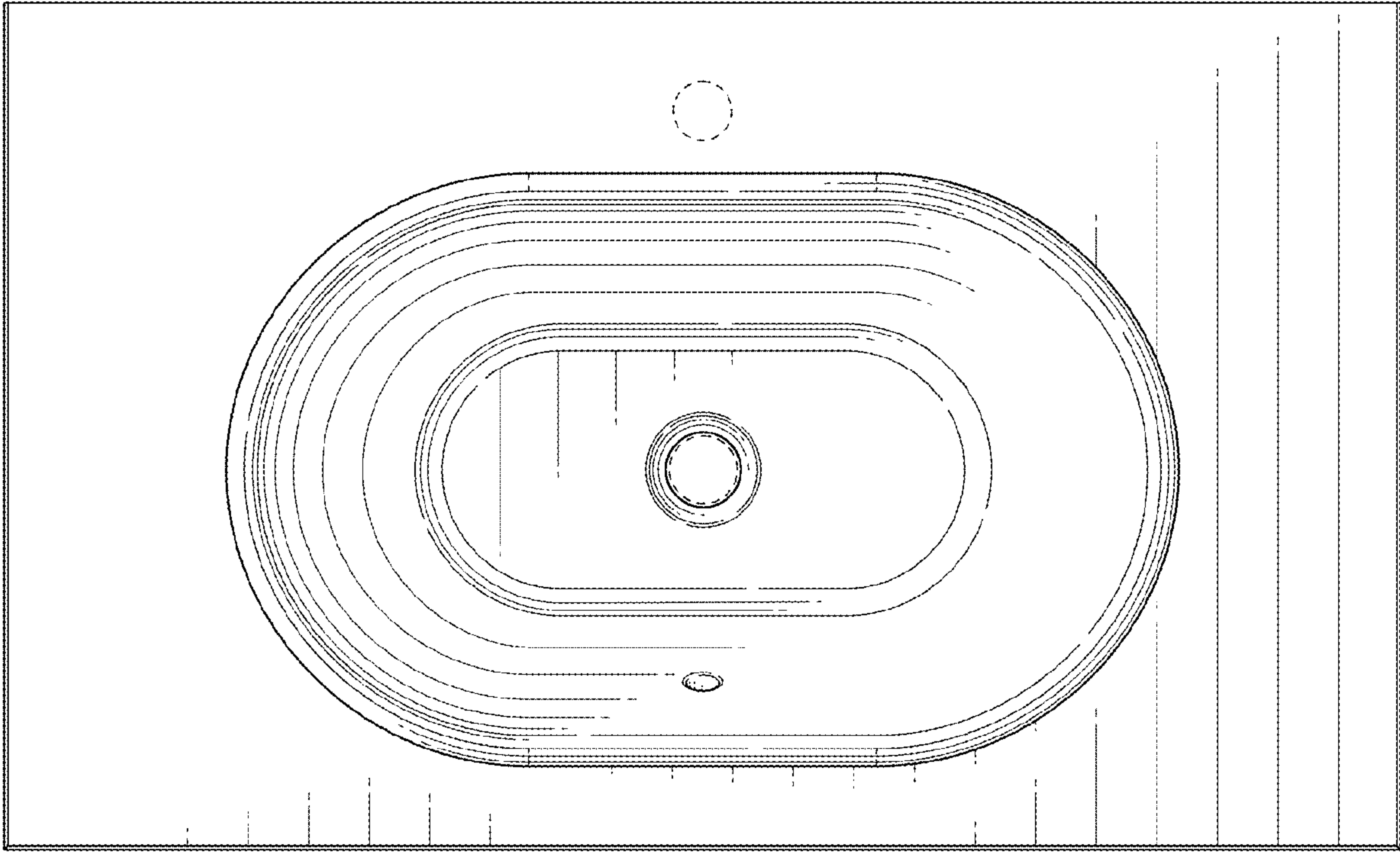


FIG. 6



FIG. 7